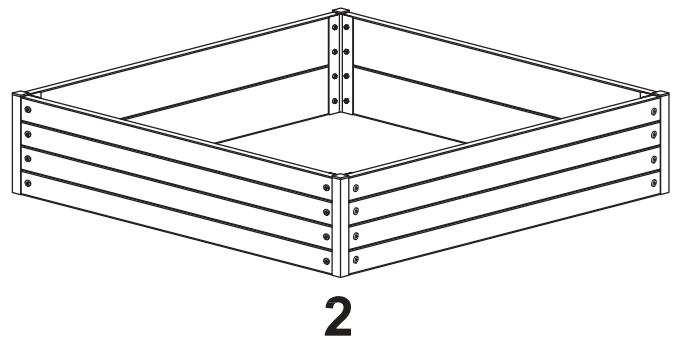
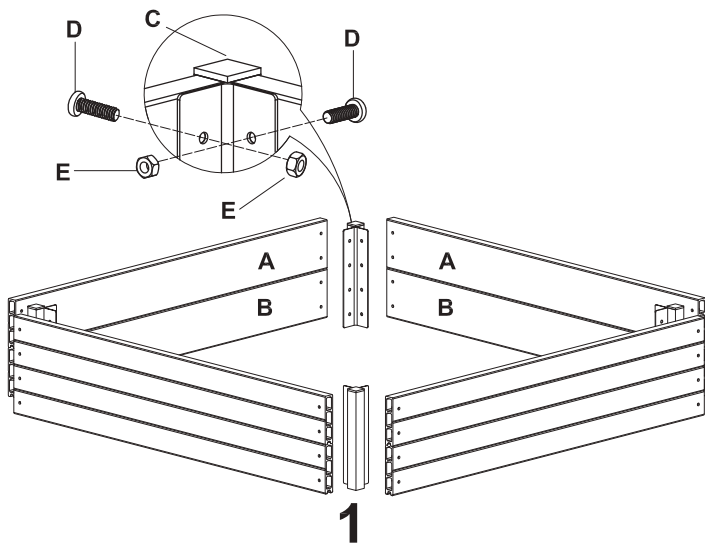
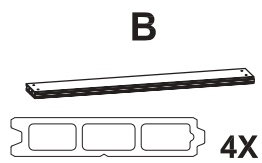
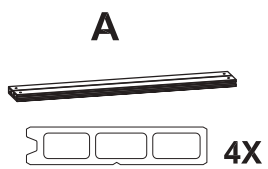
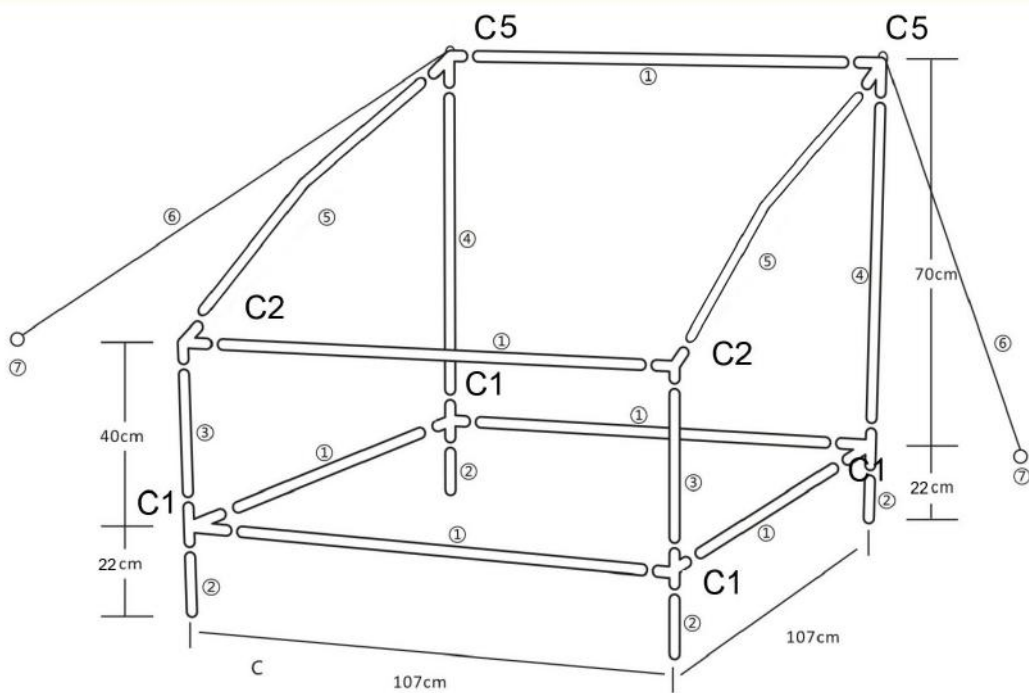


DANCOVER[®]

.com

Manual
for
Raised Garden Bed
w/Greenhouse,
1.1 x 1.1 m





NO		QTY	NO		QTY
①		6	C1		4
②		4	C2		2
③		2	C5		2
④		2	D		4
⑤		2			
⑥		2			
⑦		2			