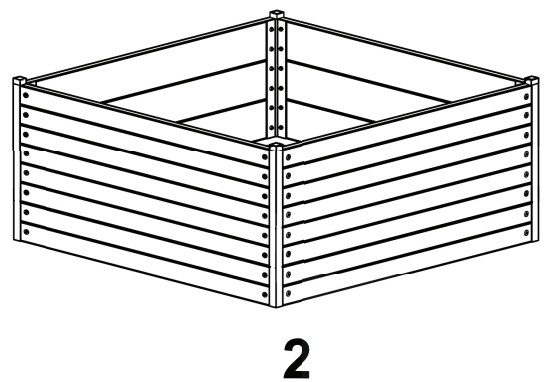
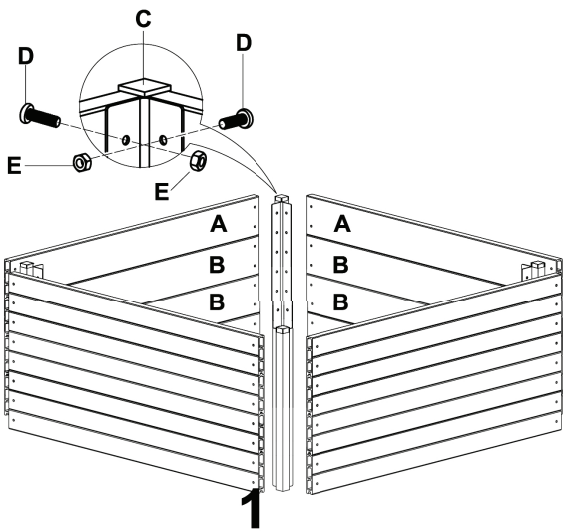
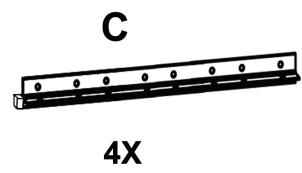
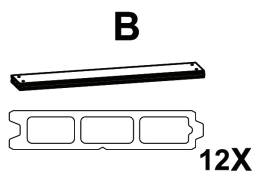
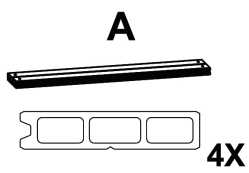
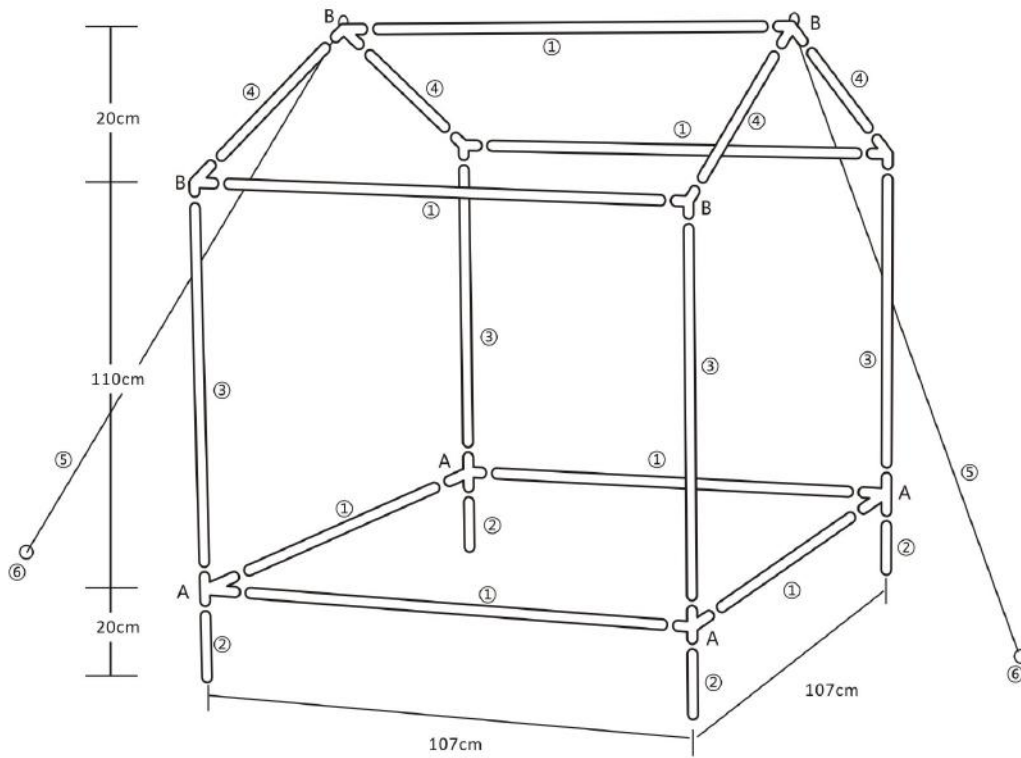











DANCOVER[®]

.com

Manual
for
Raised Flowerbed
w/Greenhouse,
1.1 x 1.1 m





NO		QTY	NO		QTY
①		X7	A		X4
②		X4	B		X6
③		X4	C		X5
④		X4			
⑤		X2			
⑥		X2			