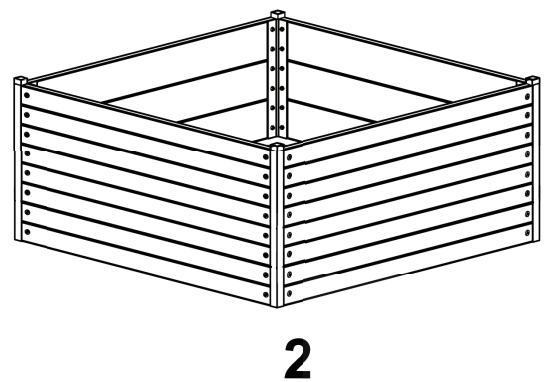
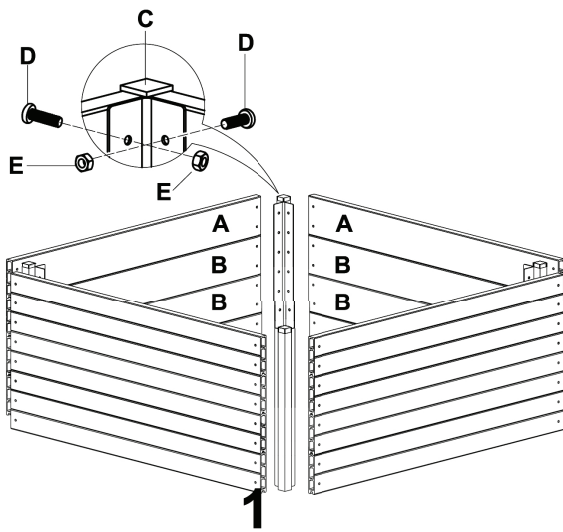
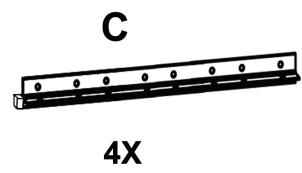
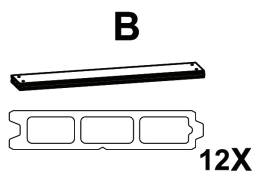
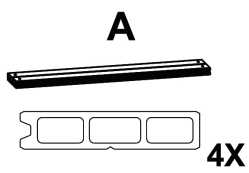
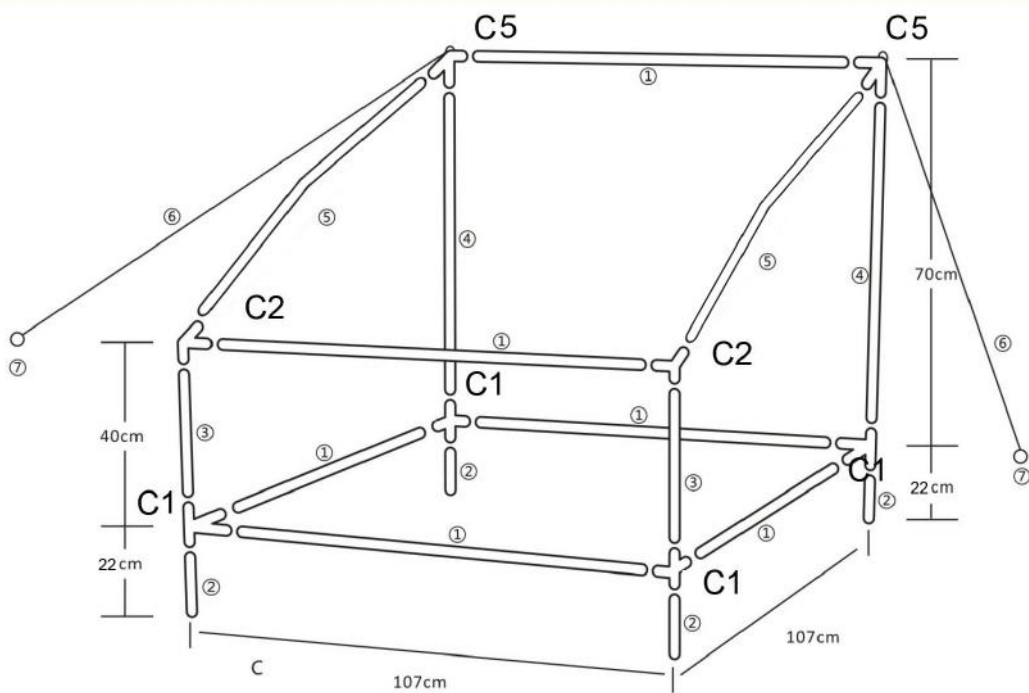


**DANCOVER<sup>®</sup>**

**.com**

Manual  
for  
Raised Flowerbed  
w/Greenhouse,  
1.1 x 1.1 m





NO		QTY	NO		QTY
①		6	C1		4
②		4	C2		2
③		2	C5		2
④		2	D		4
⑤		2			
⑥		2			
⑦		2			