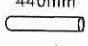
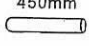
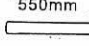
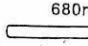




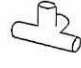






DANCOVER[®]

.com

Manual
for
Lean-to greenhouse
0,48x1,43x1,52m

1	2	3	4	5	6	
440mm 	450mm 	550mm 	680mm 			
22x	3x	3x	12x	4x	1x	
J1	A	D	I	G	H	J
						
4x	4x	10x	2x	1x	1x	2x

