

**DANCOVER<sup>®</sup>**

**.com**

Manual  
for  
Lean-to Greenhouse  
1,1x2x2,1m

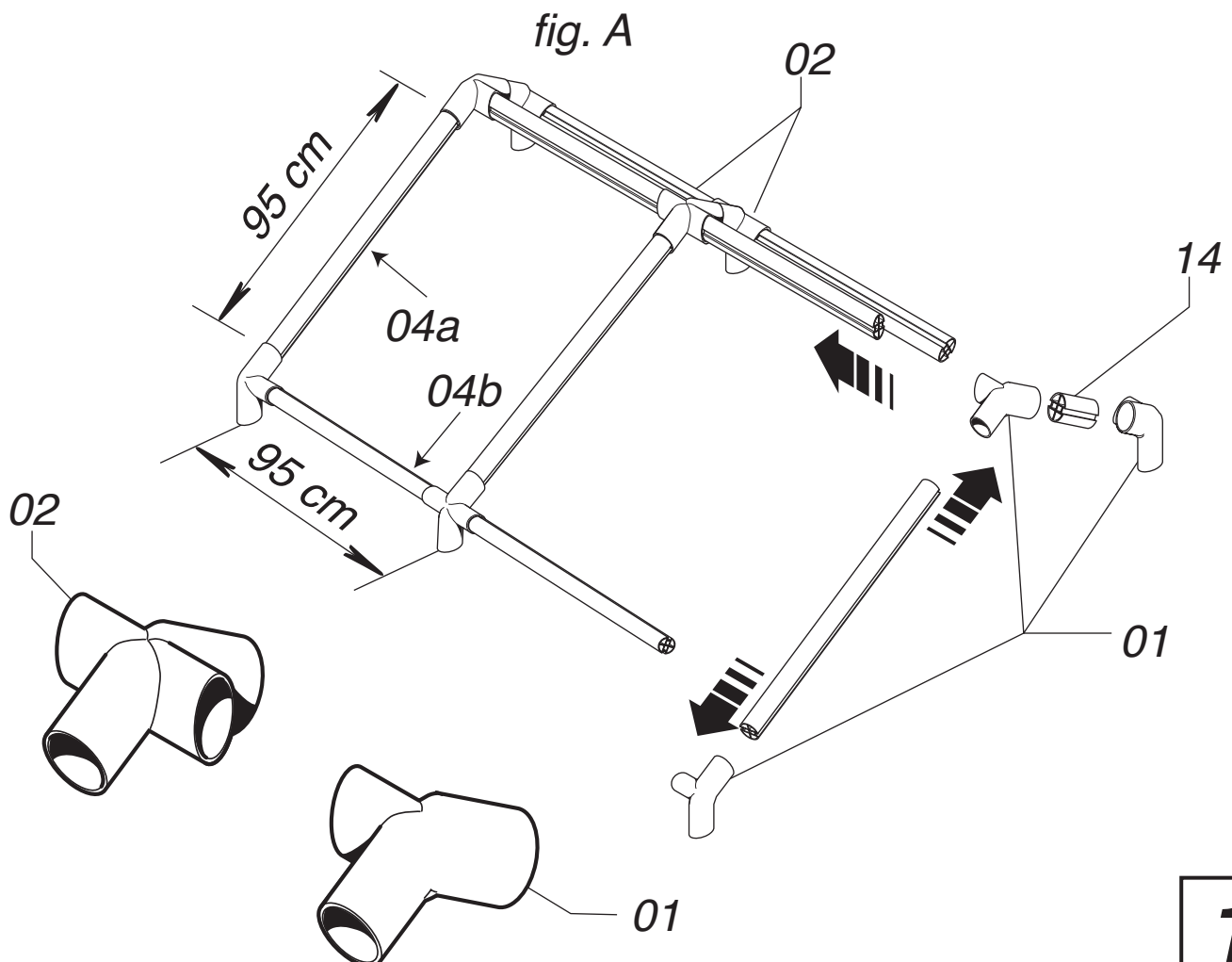
## 1 - ASSEMBLING THE ROOF STRUCTURE (fig. A).

**A** - Mount the ridges of the **roof**. To mount the front and rear ridge, use the 3-way joint Pos.**01** while to mount the central ridges use the 4-way joint Pos.**02**, fit the 95 cm long tubulars (Pos.**04a**) into the slanted slots of the joints.

**B** - Connect the ridges to each other using n° 3 tubulars 95 cm long (Pos.**04b**) for each span.

### Components

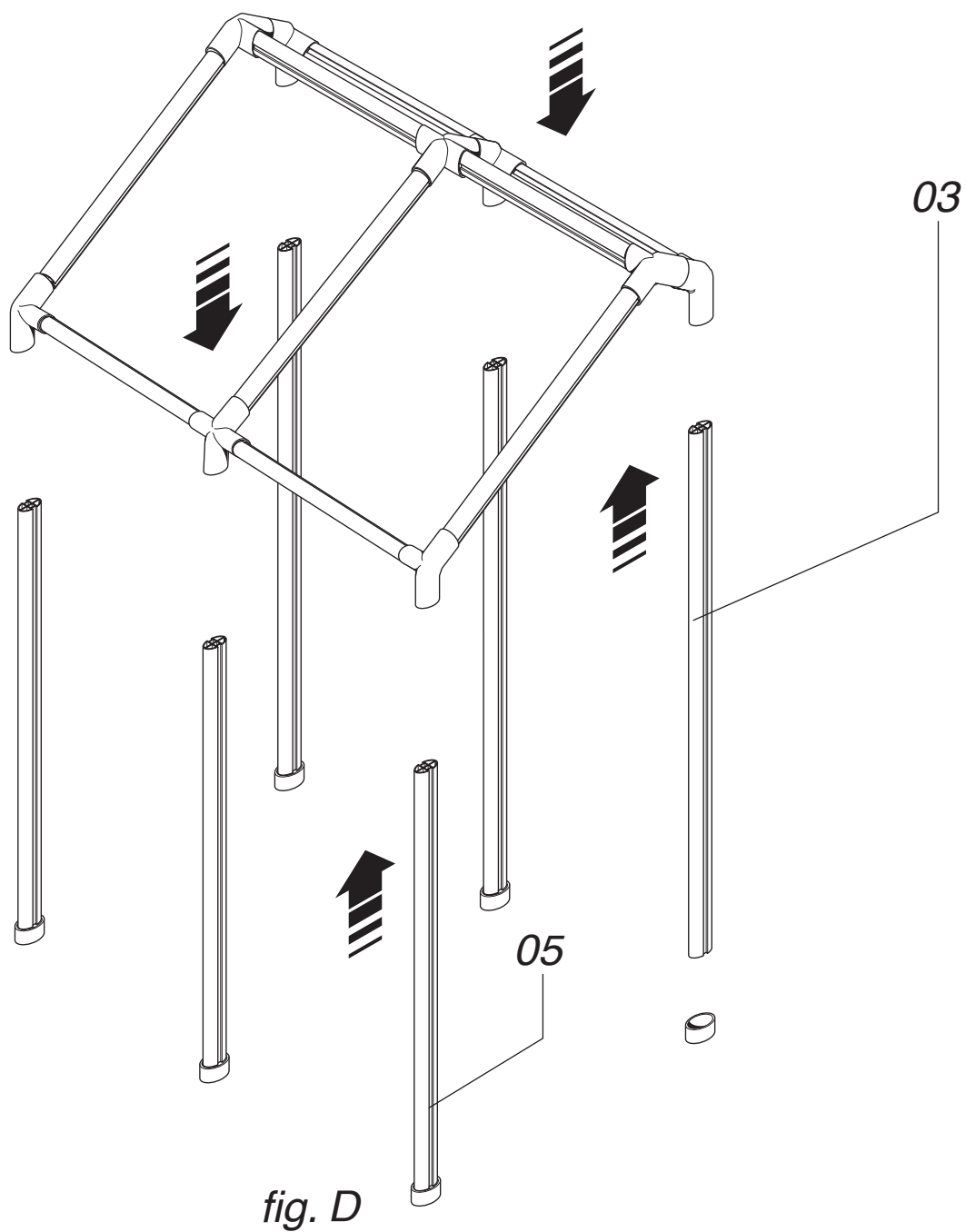
Pos.	Cod.	Description	Q.ty
01	1685	3-way joint	6
02	1686	4-way joint	3
03	1698	Tubular 197 cm	3
04	1695	Tubular 95 cm	9
05	1697	Tubular 157 cm	3
06	2569	Sheet	1
07	1758	Stake	14
08	6796	Shading net	1
09	1689	Clips	8
10	1787	Base	6
11	1688	Tip	6
12	/	Dowel $\varnothing$ 8	12
13	/	Screw for dowel $\varnothing$ 8	12
14	1699	Tubular 11.5 cm	3



1

**2- MOUNT THE VERTICAL TUBES (fig. D).**

**A - Insert the tubulars Pos. 05 and 03 into the roof.**

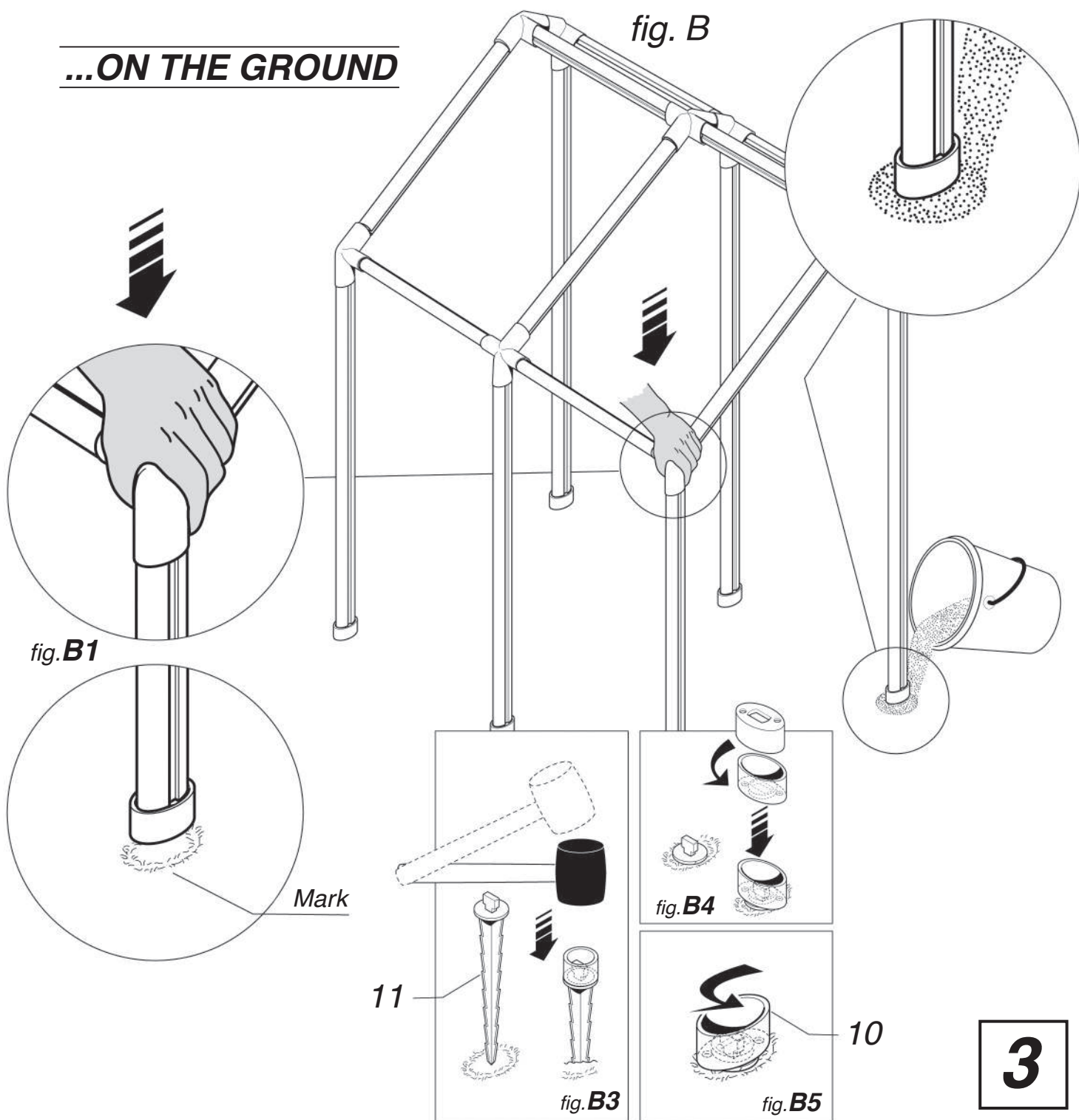


### 3- ASSEMBLY OF THE COLUMNS ON THE GROUND (fig. B).

**A** - Position the greenhouse in the point where you intend to mount it, having first flattened the ground or in the case of grassy ground after having performed a very low grass cut. Make sure that the size at the base of the pipes is the same as for the roof.

**B** - Contour the pipes at the base with sand, lime-white or other, or exert a good pressure to obtain a **mark** where to stick the tips Pos.11. Stick the tips with the aid of a tube: make sure that the bayonet coupling pedicle is turned in the long side of the greenhouse as shown in fig. B3; before this phase make sure that all the tubulars are completely inserted in the joints.

#### ...ON THE GROUND



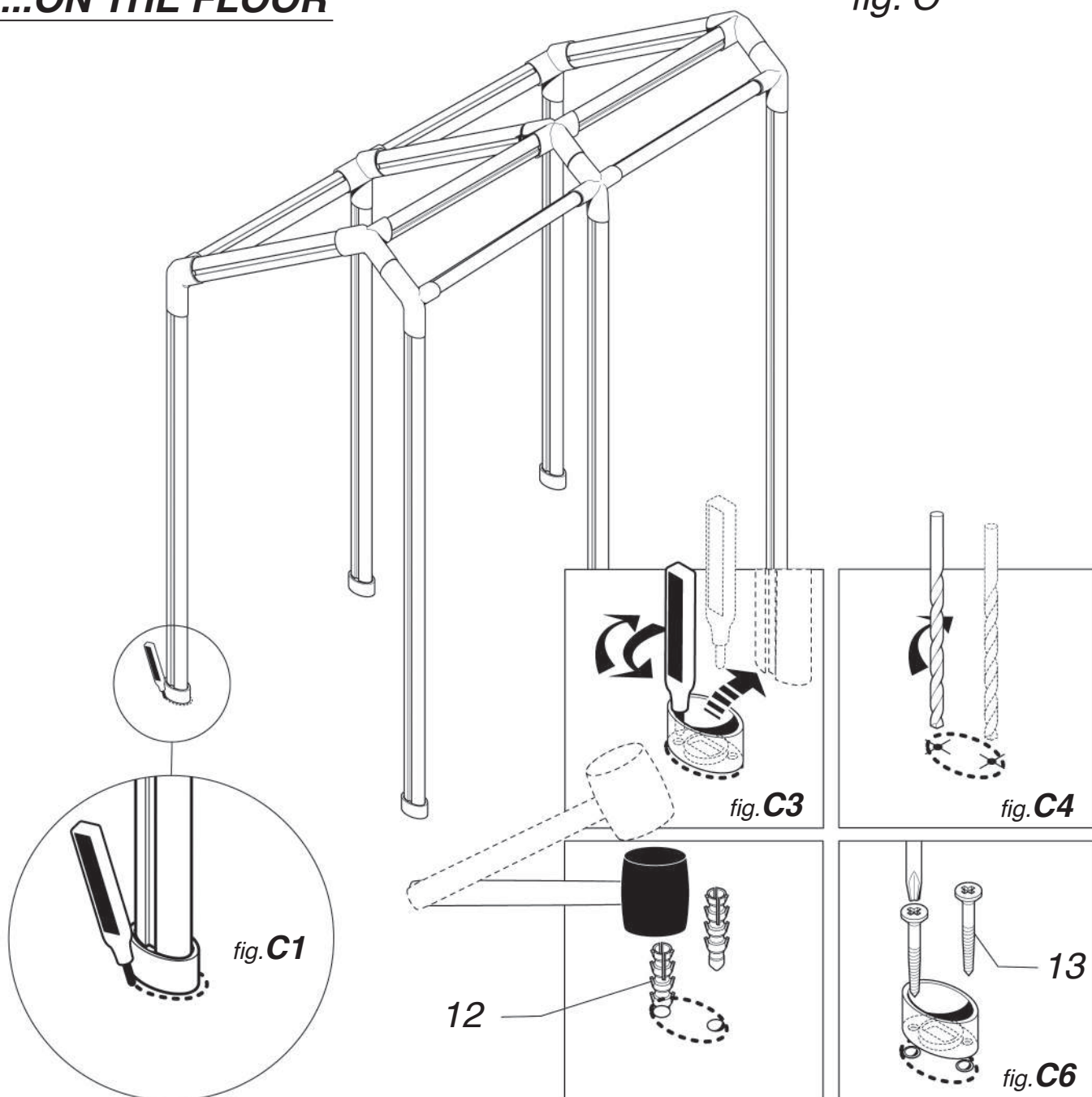
#### 4- ASSEMBLY OF THE DOWELS ON THE FLOOR (fig. C).

**A** - Position the greenhouse in the point where you intend to mount it (fig. C). Make sure that the size at the base of the pipes is the same as for the roof.

**B** - Contour the tubes with a marker or other tracer means (fig. C1) to outline the position where to fix the **bases** Pos.10; then after having traced and drilled the holes (fig. C2+C6) for the **dowels** Pos.12 fix the **bases** in which to subsequently insert the **tubulars** Pos.05; **before this phase make sure that all the tubulars are completely inserted in the joints.**

### ...ON THE FLOOR

fig. C



**5- COMPLETE THE ASSEMBLY OF THE STRUCTURE (fig. E).**

**A -** Mount the roof over the **vertical tubulars Pos.05** so as to obtain the complete structure.

**B -** After assembly, check the external dimensions with those of the drawing. It is important that the dimensions correspond to ensure correct assembly of the sheet.

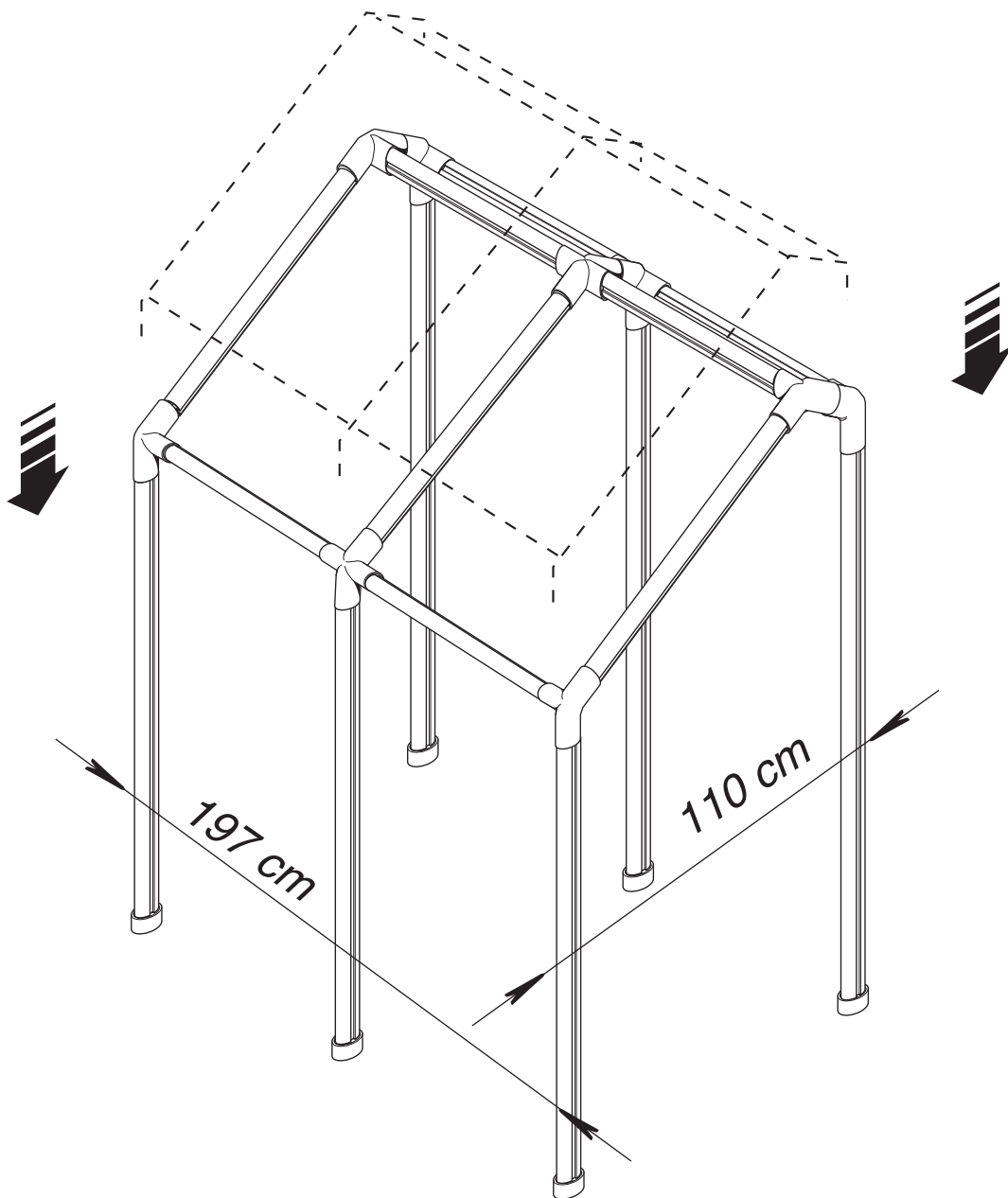
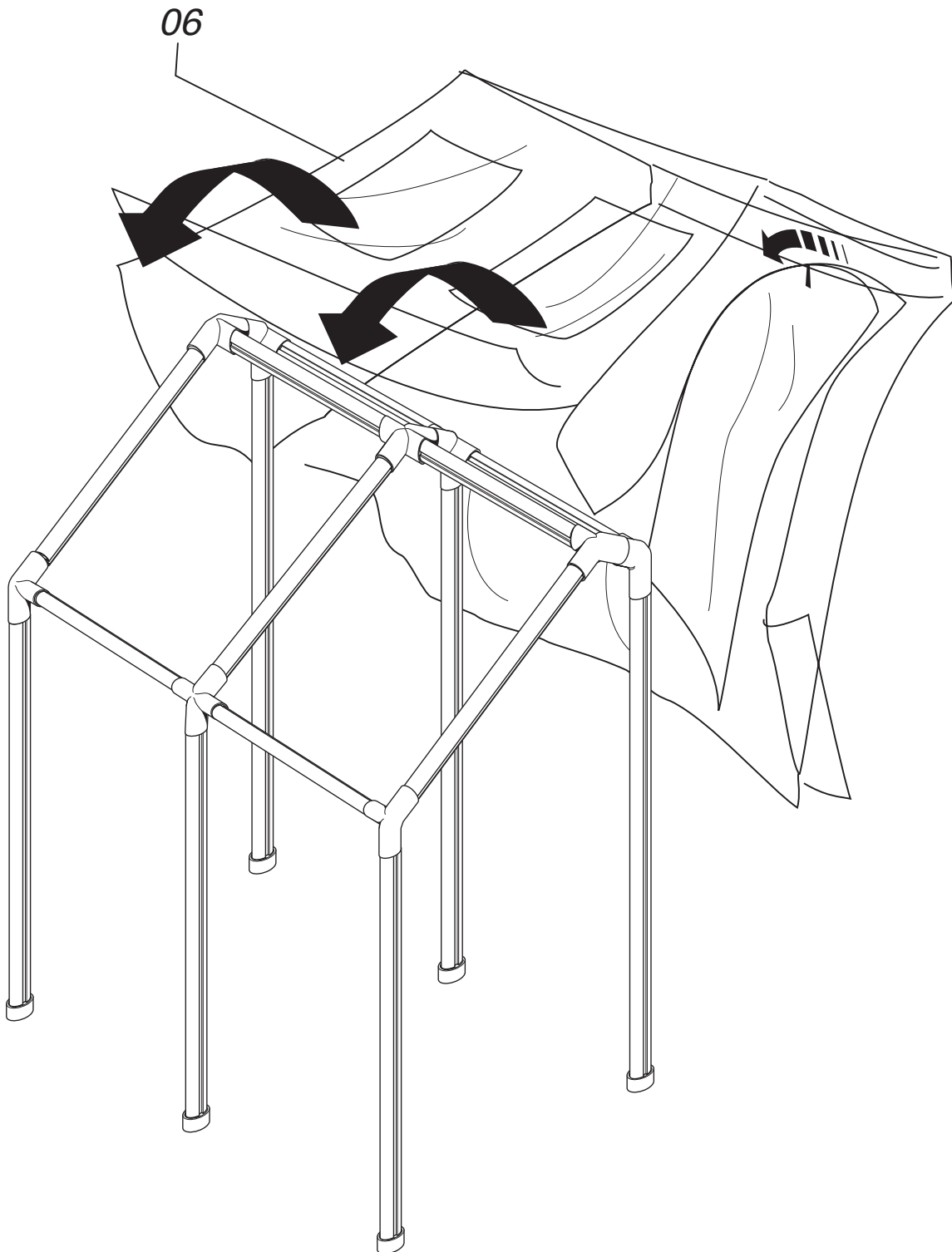


fig. E

**6- MOUNTING THE SHEET (fig. F).**

**A** - Open the **sheet zips** and then drag the **sheet Pos.06** on the structure starting from one side of the greenhouse as shown in the figure.



**6**

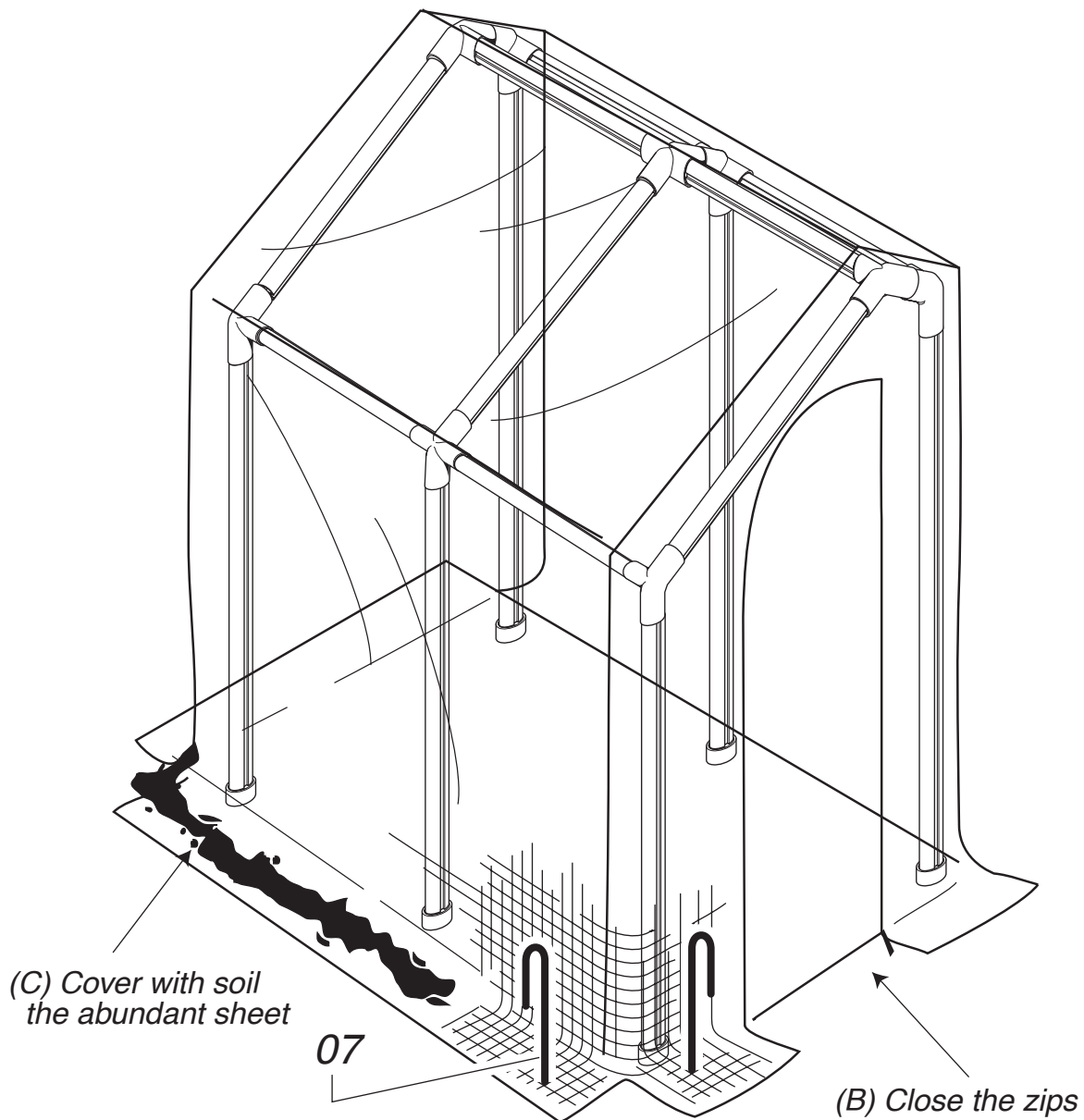
*fig. F*

**7 - ASSEMBLY OF THE COVER (fig. G).**

**A** - Once the cap has been inserted, close the zips and arrange the sheet carefully.

**B** - Use the **stakes Pos.07** to fix the sheet on the ground.

**C** - Cover the protruding part of the **sheet** with the soil making sure it is well stretched.



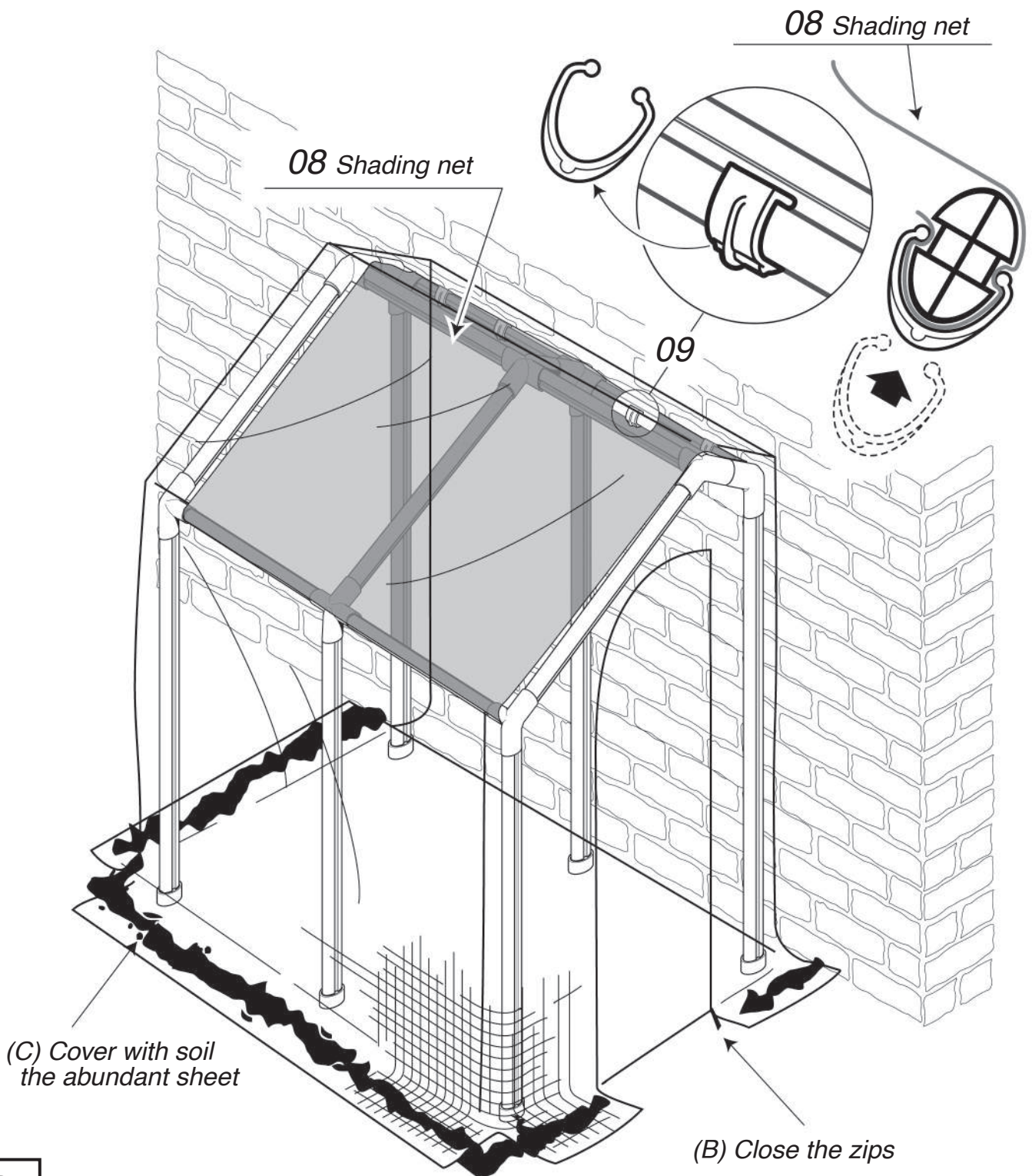
*fig. G*



## 8- ASSEMBLY OF THE SHADING NET (fig. H).

To keep the cultivated products longer, the greenhouse has been equipped with a shading net that must be fixed under the roof of the greenhouse with the appropriate plastic clips also supplied.

**A** - Insert the shading net Pos.08 between the greenhouse sheet and the roof tubulars and fix it to the eaves tubular with the clips Pos.09.



8

fig. H

# DANCOVER<sup>®</sup>

.com

## Contact information

### Head office:

Dancover A/S  
Nordre Strandvej 119 G  
3150 Hellebæk  
Denmark

For more information  
please visit:  
[www.dancovershop.com](http://www.dancovershop.com)

## National contact

Denmark: 70 26 76 20  
[denmark@dancover.com](mailto:denmark@dancover.com)

UK: 020 8099 7570  
[uk@dancover.com](mailto:uk@dancover.com)

Germany: 041 0266 7040  
[germany@dancover.com](mailto:germany@dancover.com)

France: 0975 181 800  
[france@dancover.com](mailto:france@dancover.com)

Sweden: 040 233 262  
[sverige@dancover.com](mailto:sverige@dancover.com)

Finland: 0 931 581 720  
[suomi@dancover.com](mailto:suomi@dancover.com)

Poland: 22 300 8602  
[polska@dancover.com](mailto:polska@dancover.com)

Luxembourg: +49 041 0266 7040  
[luxembourg@dancover.com](mailto:luxembourg@dancover.com)

Portugal: 308 800 899  
[portugal@dancover.com](mailto:portugal@dancover.com)

Spain: 911 436 828  
[espana@dancover.com](mailto:espana@dancover.com)

Italy: 02 479 21 198  
[italia@dancover.com](mailto:italia@dancover.com)

Switzerland: 0840 000125  
[schweiz@dancover.com](mailto:schweiz@dancover.com)

Austria: 0662 626935  
[austria@dancover.com](mailto:austria@dancover.com)

Norway: 231 00 690  
[norge@dancover.com](mailto:norge@dancover.com)

Nederland: 0 858 880 524  
[nederland@dancover.com](mailto:nederland@dancover.com)

Ireland: 0 151 33 003  
[ireland@dancover.com](mailto:ireland@dancover.com)

Belgium: 0 28 08 08 09  
[belgique@dancover.com](mailto:belgique@dancover.com)