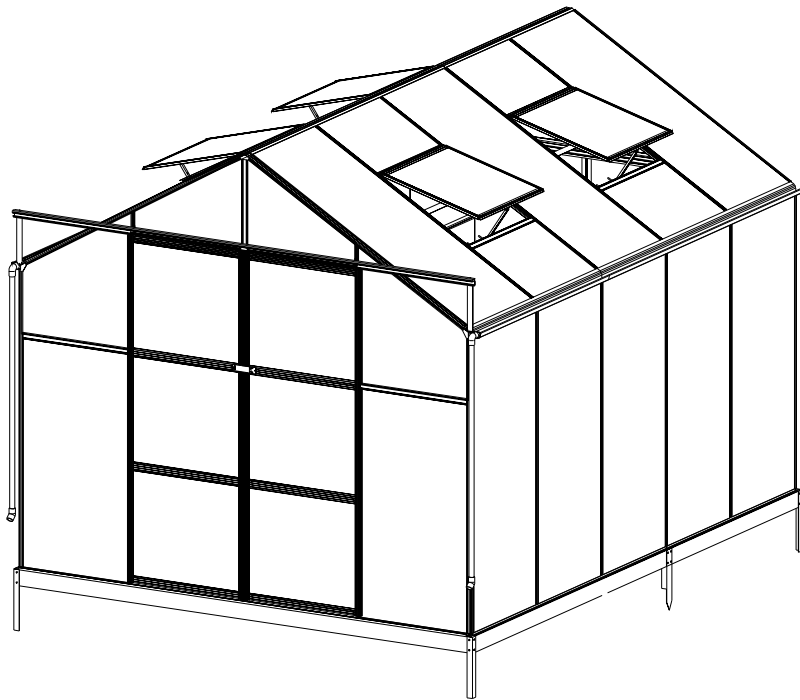


**DANCOVER<sup>®</sup>**

**.com**

Manual  
for  
Greenhouse  
2,5x3,11x2,28m

# Assembly Instruction



PRODUCT SIZE(LxWxH): 311 X 250 X 228CM  
PLEASE READ CAREFULLY BEFORE ASSEMBLY

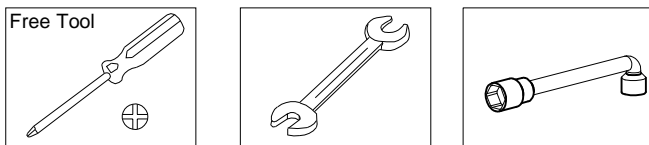
# CONTENTS

1. Assembly Advice .....	Page 1
2. Product Features .....	Page 2
3. Parts List .....	Page 3 - 4
4. Door Assembly .....	Page 5 - 6
5. Roof Vent Assembly .....	Page 7 - 8
6. Base Assembly .....	Page 9 -10
7. Framework & Glazing Assembly .....	Page 11 - 23

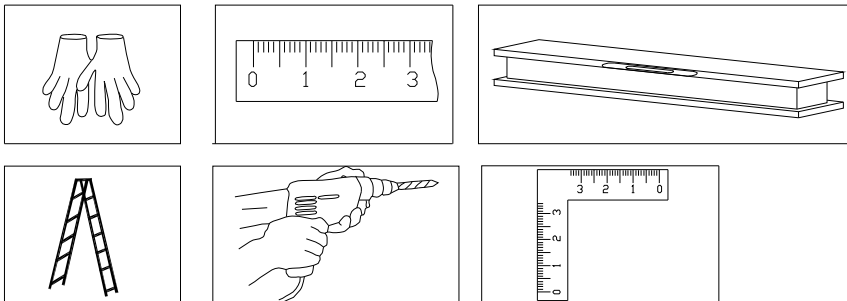
## Assembly and Maintenance Advice

1. For safety purposes, we strongly recommend that this product is assembled by at least two people.
2. Some components have sharp metal edges. Please be careful when handling metal components. Please wear gloves, shoes and safety goggles during assembly.
3. Lay all of the components on a soft carpet or blanket to avoid any scratches or damages.
4. DO NOT climb or stand on the roof. Heavy articles should not be leaned against the greenhouse.
5. Keep the roof and gutter clear of snow, dirt & leaves. Allowing snow to build up on the roof may damage the product.
6. Unlike steel, if the paint finish is scratched this will not harm the aluminium underneath.
7. When your product needs cleaning, use a mild detergent solution and rinse with cold clean water. Do not use acetone, abrasive cleaners or strong detergents to clean the panels.

### Tools Provided:



### Tools Required when Assembly (Not Provided)



### Assembly at least by two Persons

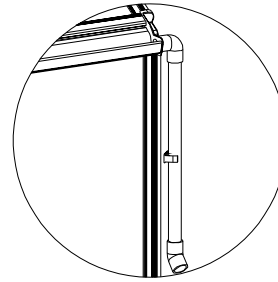


## Important:

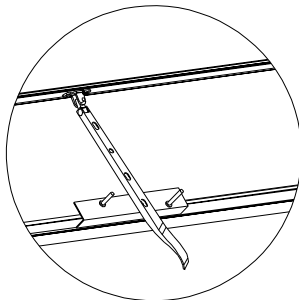
Rubber is not provided if you choose polycarbonate sheet as glazing panel.

## Functions and Features:

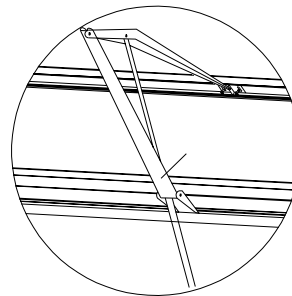
1. The strong two part eaves beam includes an integral gutter. Downpipes are also included as standard so you can collect rainwater.



2. Manual window handles are included as standard with the roof vents. If required, automatic roof vent openers are available as an inexpensive optional extra.

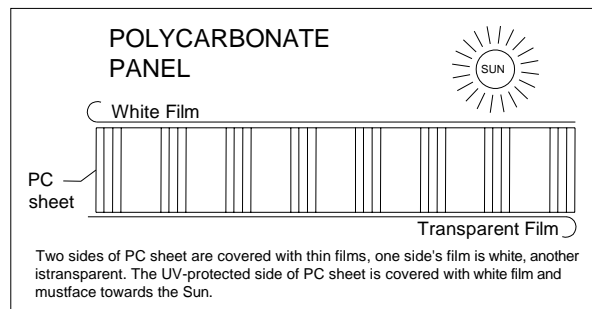


Manual Opener




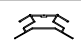
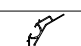

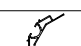










Automatic Opener

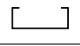
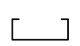
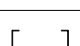
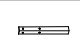


3. Remove approximately 2 inches of film from all sheet edges before installing and remove all film immediately after the construction is completed. Please ensure that the side with the white film faces outwards.

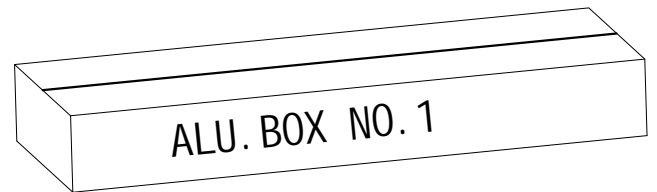



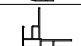








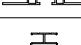
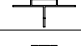


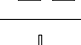
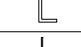
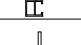




4. This quality greenhouse features self-tapping screws to provide strong joints. As the name suggests, the screws tap their own thread. Driving in self-tapping screws requires more force than conventional screws. A powered screwdriver is therefore recommended.

	PART	NO	QTY
1		L02G	1
		L10	1
		L14	1
2		L06B	1
		L07B	2
3		L06C	1
		L07C	2
4		L08B	2
		L08C	2
		L08D	1


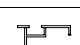
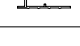
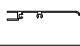


	PART	NO	QTY
5		L09B	2
6		L09C	2
7		L23B	4
		L23C	4
		L23D	1

	PART	NO	QTY
		D1	2
		B2	2
		C2	2
		D70	4
		D71	2
		D72	2

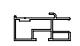

















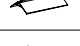
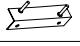




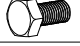

	PART	NO	QTY
1		L01A	2
		L01B	2
2		L01C	2
		L01D	2
3		L02A	6
4		L02B	6
5		L02C	1
		L02D	1
		L02E	1
		L02F	1
6		L03A	2
		L03B	2
7		L04A	10
		L04B	1
8		L05A	4
		L13A	1
9		L05B	9
10		L23A	2
		L23E	6
		L23F	2
11		L25	4

### door

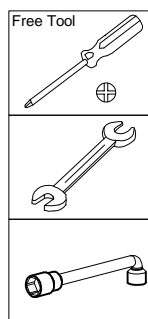
	Part	NO.	QTY.
12		L18A	3
		L18B	1
		L15	2
		L16A	1
		L16B	3
		L17	2


### windowsX4

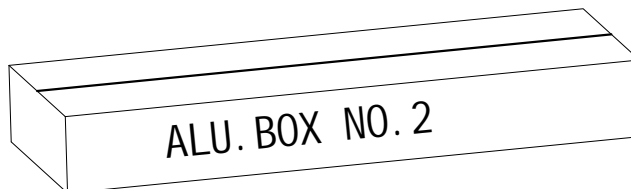
	Part	NO.	QTY.
13		L11A	4
		L12A	4
14		L19	8
		L20	4
		L21	4



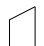









PART	NO	QTY
	J55	2
	J56R	2
	J56L	2
	J90R	1
	J90L	1
	J94	4
	J93	4
	J92	4
	D17	8
	D38	4
	D26	1
	A03	4
	D25	2
	A01	4
	S01 M6X12	236
	S02 M6X20	3
	M01 M6	239
	Z01 Ø4X25	32
	Z02 Ø4X16D	32
	Z04 Ø4X8	10
	Z08 M4.2X16	14

### Tools Provided:




PART	NO	QTY
	S01 M6X12	24
	M01 M6	24
	Z08 M4.2X16	32




PART	NO	QTY
	Y1	2
	Y2	6
	Y3	1
	Y4	2
	Y5	1
	Y6	10
	Y7	6
	Y8	1
	Y9	8
	Y10	4
	Y11	6
	Y13	1

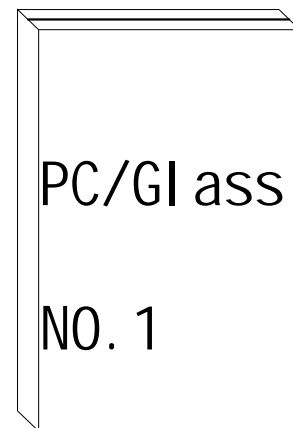
## Rubber

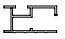

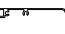
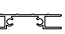
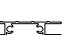


PART	NO	QTY
	J107	137M

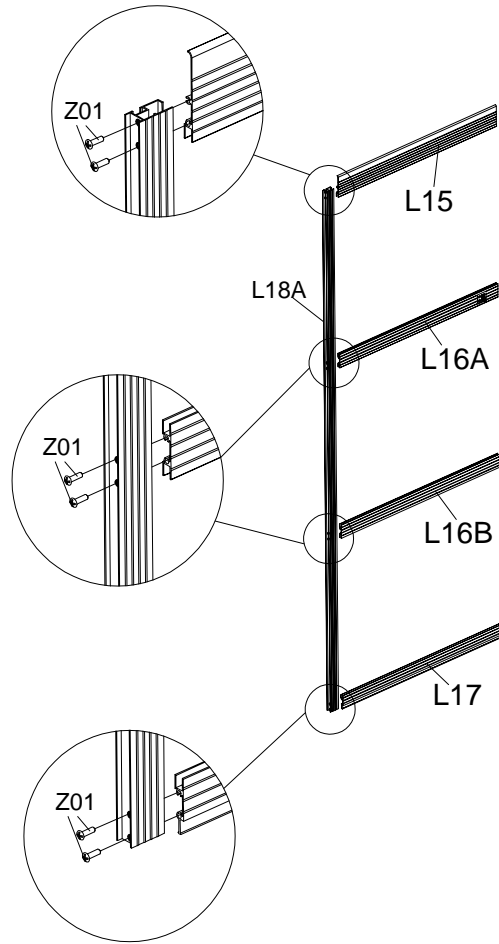
Rubber for walls & roof  
*(Provided for glass only)*

PART	NO	QTY
	J107	92M

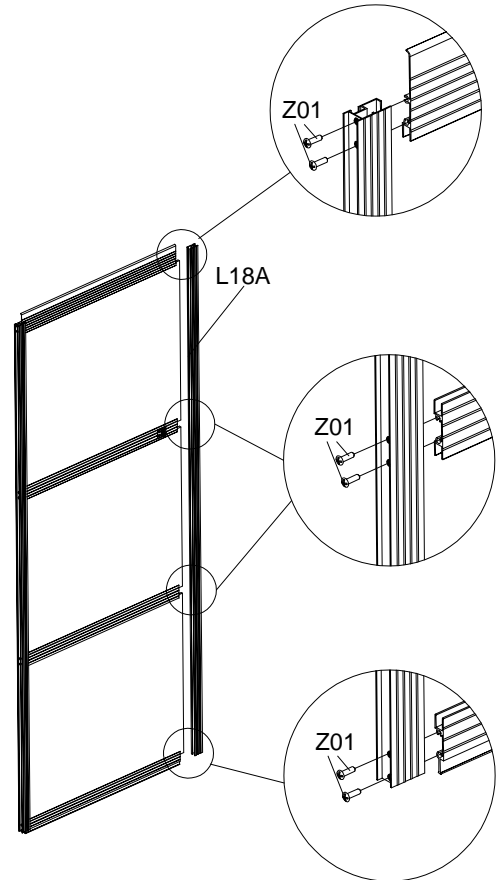
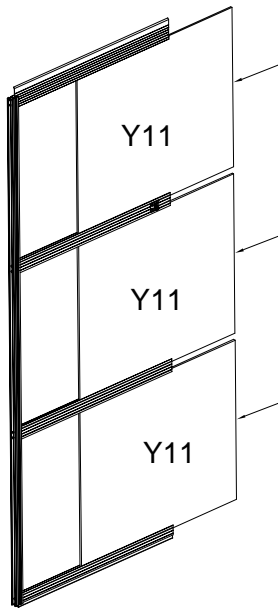
Rubber for walls only  
*(Provided for glass only)*






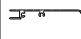



Part	NO.	QTY.	Part	NO.	QTY.
	L18A	2		Y11	3
	L15	1			
	L16A	1			
	L16B	1			
	L17	1			
	Z01 Ø4X25	16			

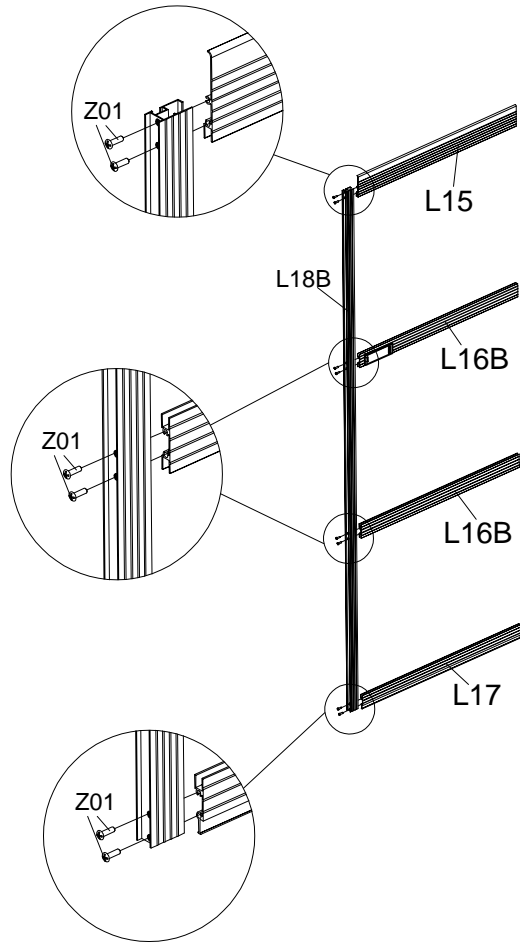


## Left Door

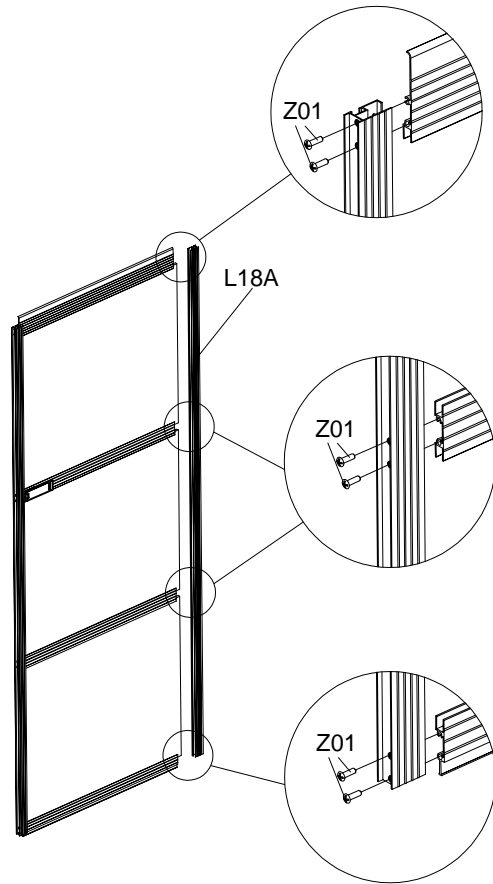
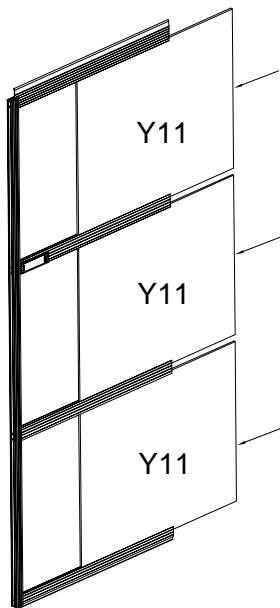


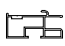



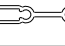
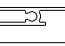

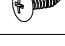
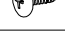



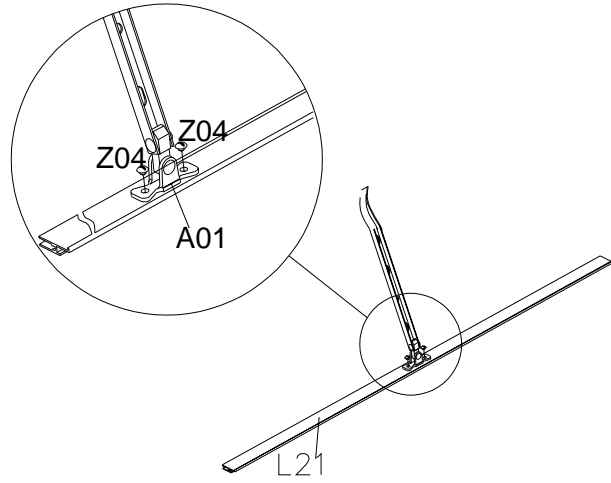
Part	NO.	QTY.	Part	NO.	QTY.
	L18A	1		Y11	3
	L18B	1			
	L15	1			
	L16B	2			
	L17	1			
	Z01 Ø4X25	16			



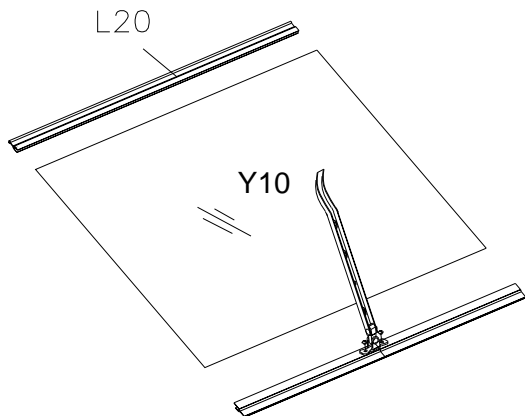
## Right Door



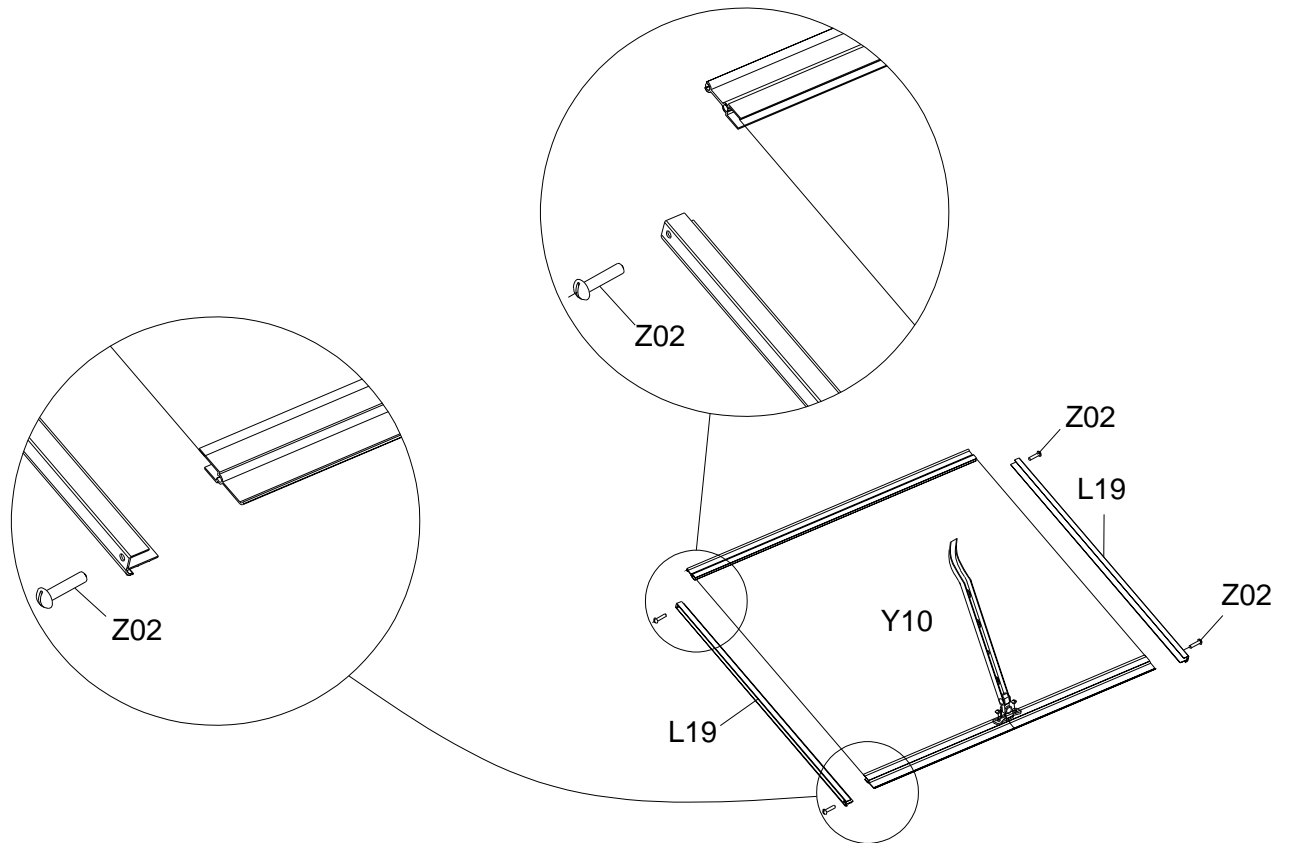
Part	NO.	QTY.	Part	NO.	QTY.
	L11A	1		Y10	1
	L12A	1			
	L19	2			
	L20	1			
	L21	1			
	A01	1			
	Z02 Ø4X16D	6			
	Z04 Ø4X8	2			
	Z08 M4.2X16	2			



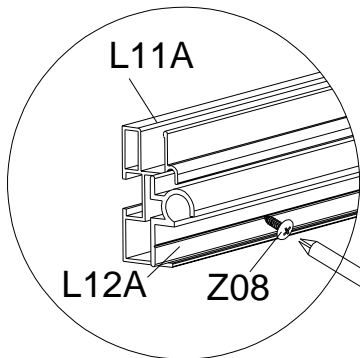
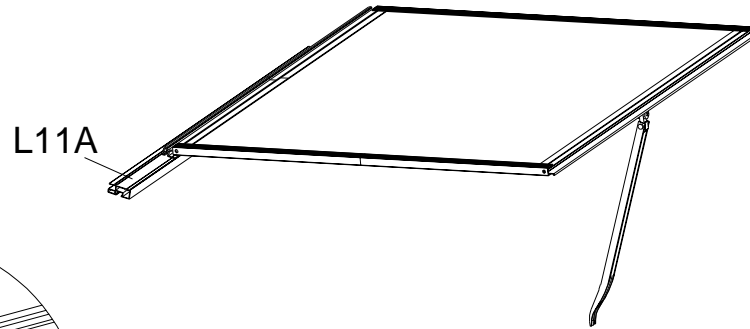
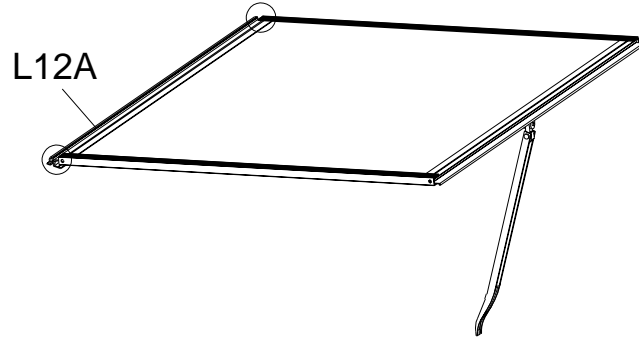
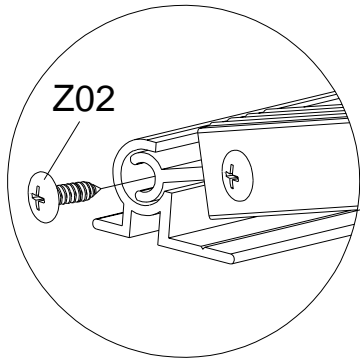
Step 1



Step 2



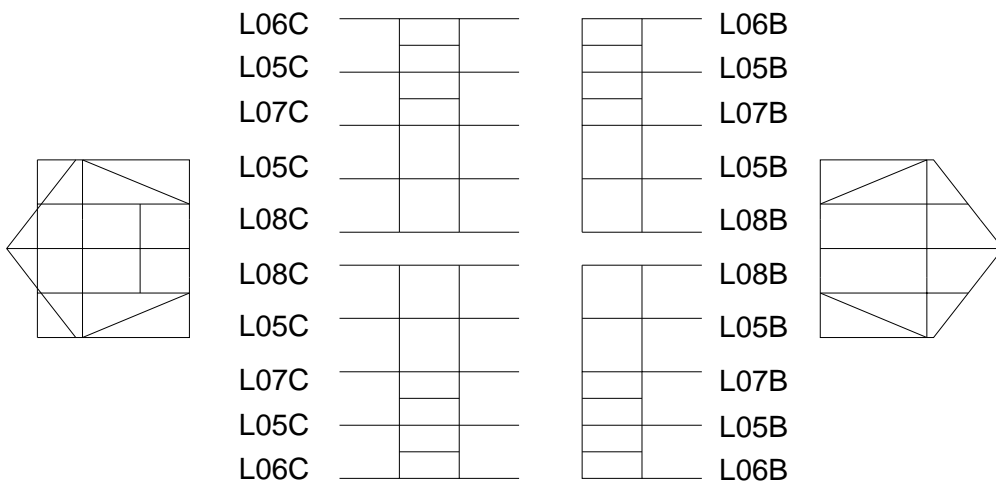
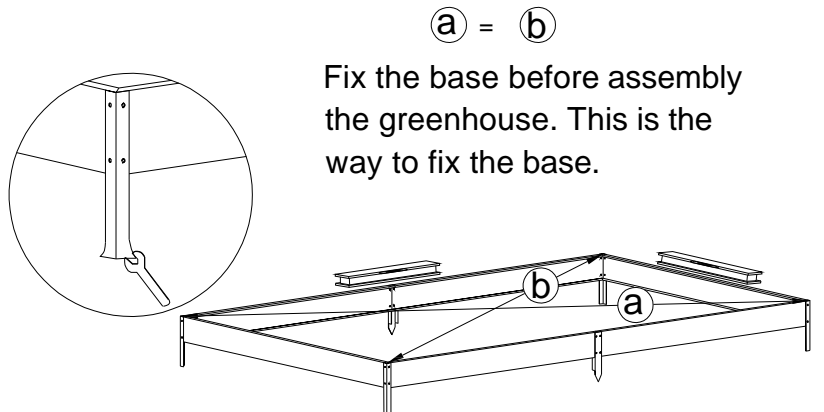
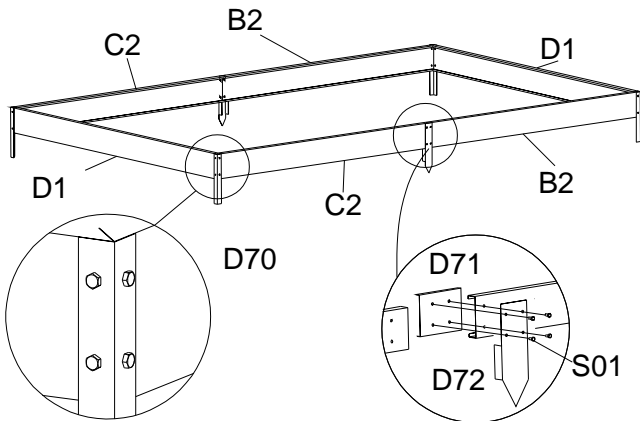
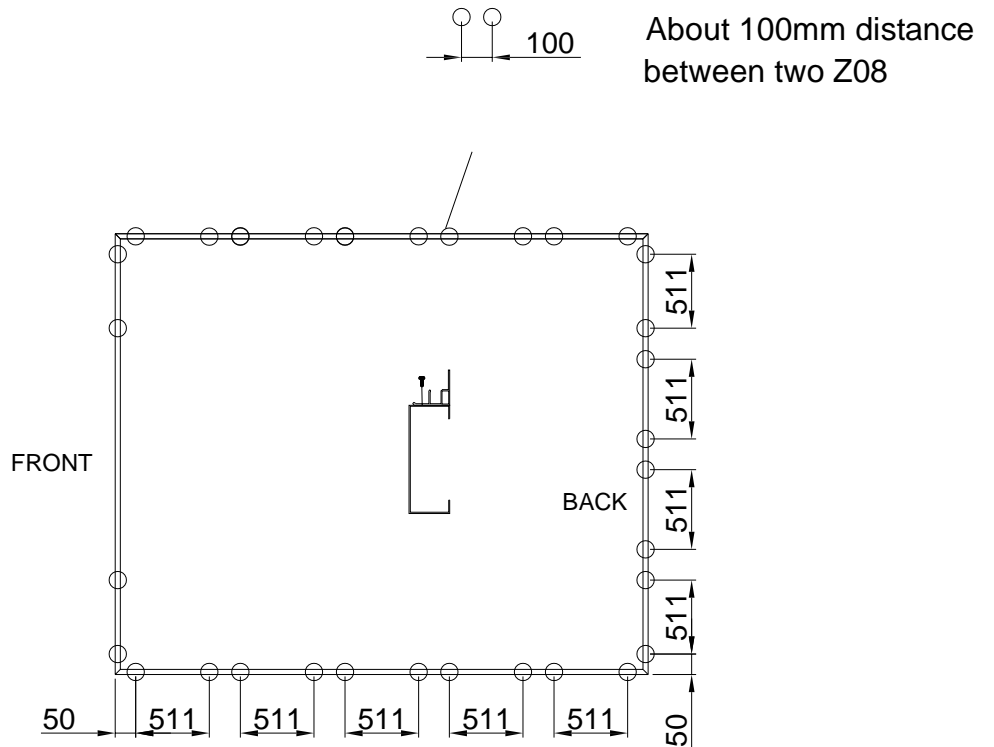
Step 3



L11A is factory fitted  
to L12A already

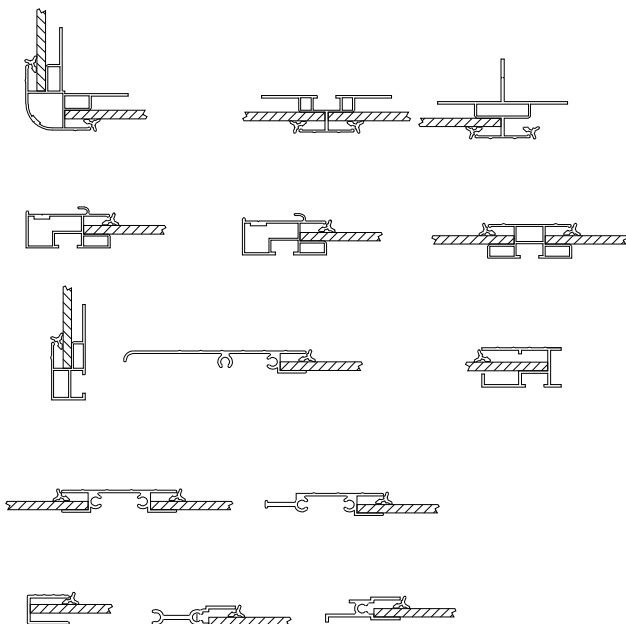
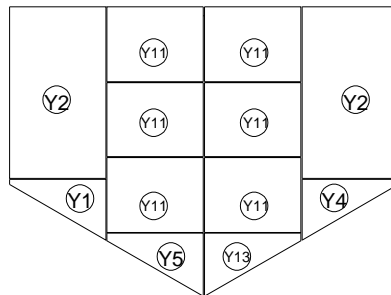
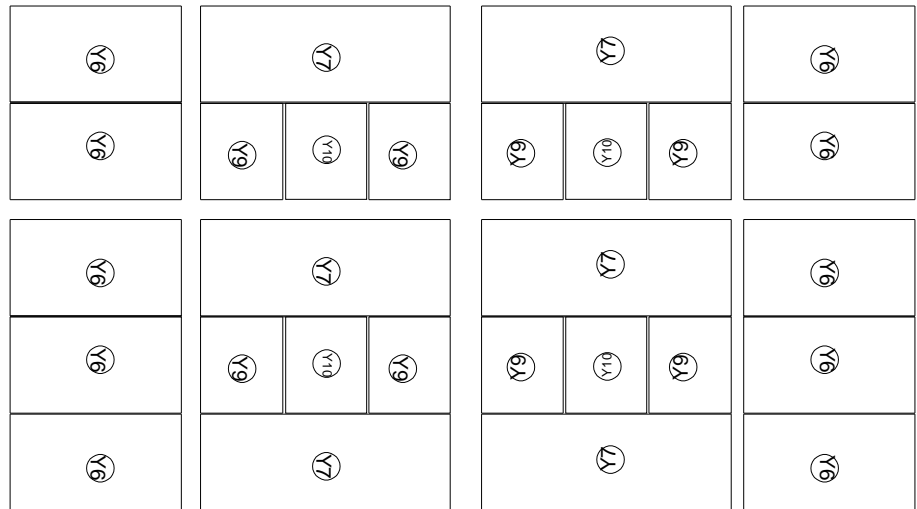
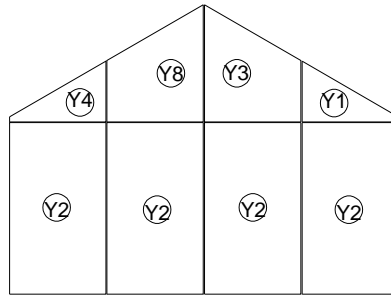
Four windows are standard

PART	NO	QTY
	D1	2
	B2	2
	C2	2
	D70	4
	D71	2
	D72	2
	S01 M6X12	24
	M01 M6	24
	Z08 M4.2X16	32



# GH152245

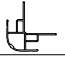
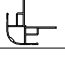
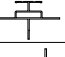




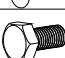


PART	NO	QTY
	Y1	2
	Y2	6
	Y3	1
	Y4	2
	Y5	1
	Y6	10
	Y7	6
	Y8	1
	Y9	8
	Y10	4
	Y11	6
	Y13	1

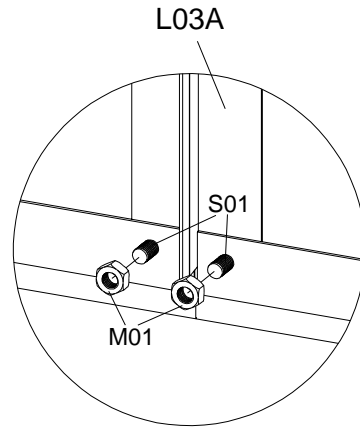
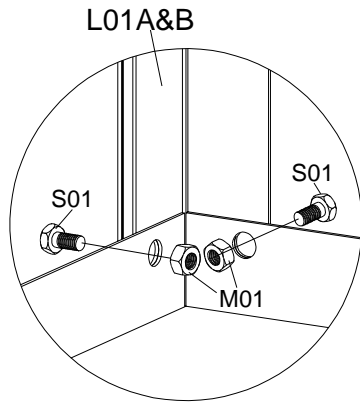
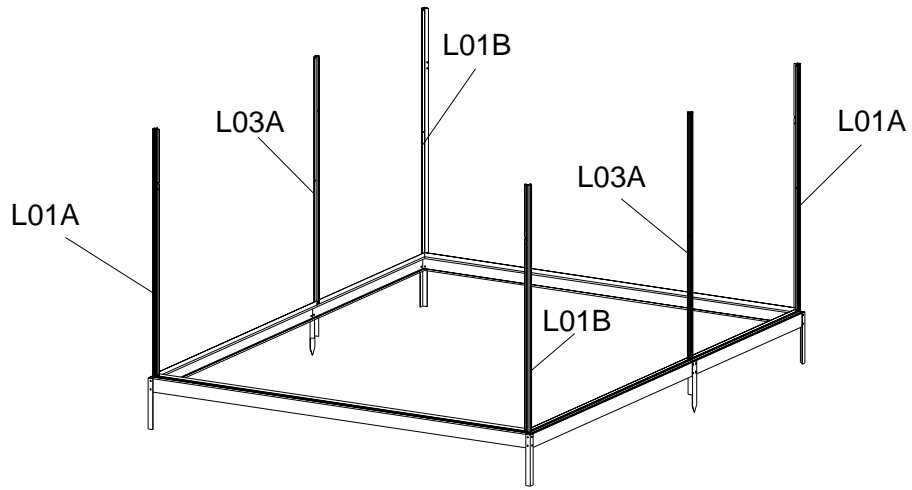


## Attention:

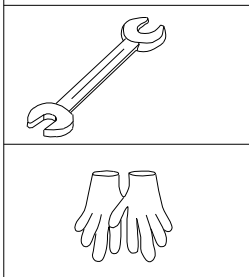
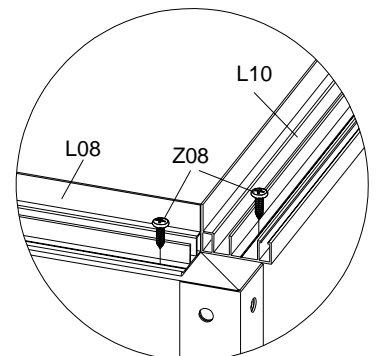
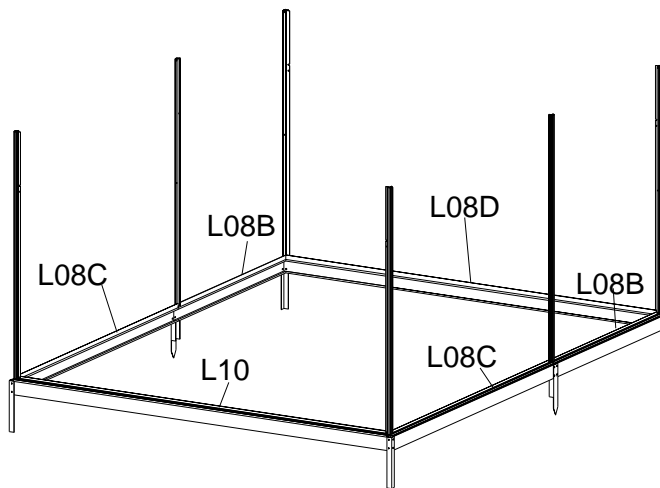
If glass is chosen, please seal it with rubber(J11) provided after the whole assembly is finished.







Rubber is not provided if you choose polycarbonate sheet as glazing panel.

PART	NO	QTY
	L01A	2
	L01B	2
	L03A	2
	L08B	2
	L08C	2
	L08D	1
	L10	1
	Z08 M4.2X16	32
	S01 M6X12	12
	M01 M6	12

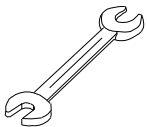
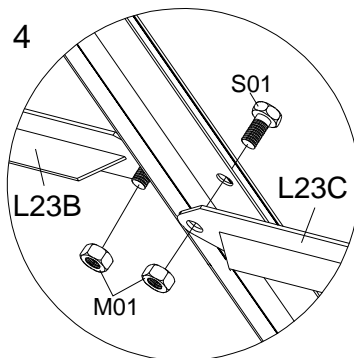
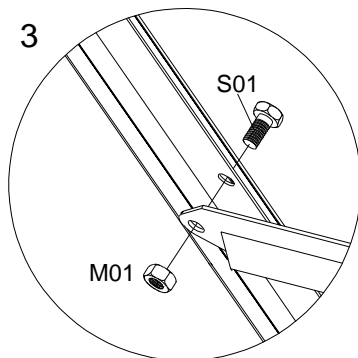
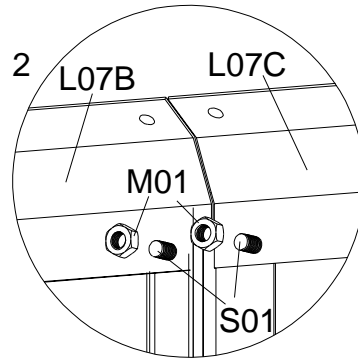
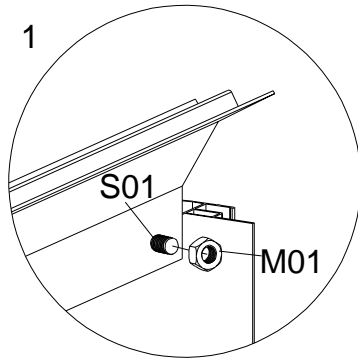
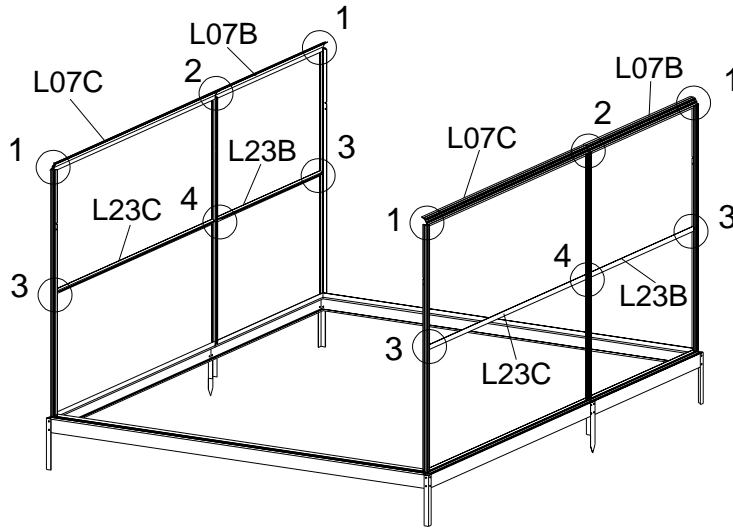


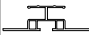

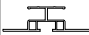







1. Fix the glazing bars (2 x L01A, 2 x L01B and 2 x L03A) to the cills (L10, L08B, L08C and L08D) with S01 & M01 provided.
2. Fix the cills to the base with Z08, using a powered screwdriver. See Page No. 7 for details.

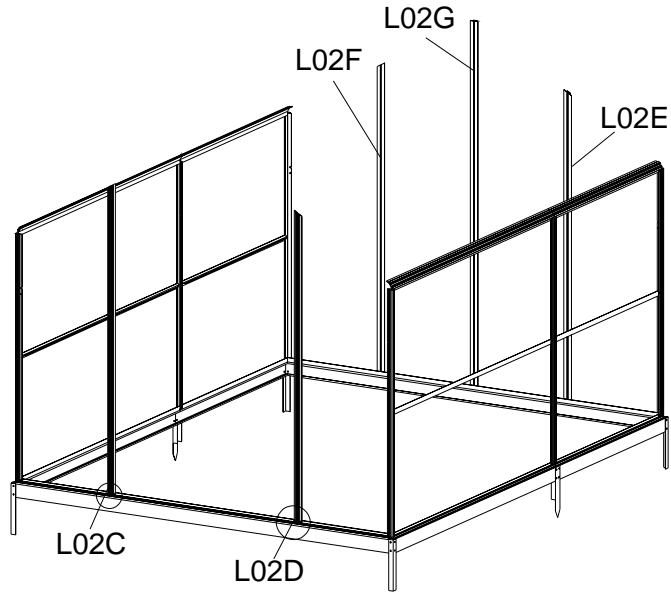


PART	NO	QTY
	L07B	2
	L07C	2
	L23B	2
	L23C	2
	S01 M6X12	16
	M01 M6	16

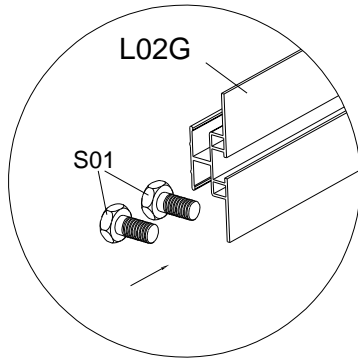
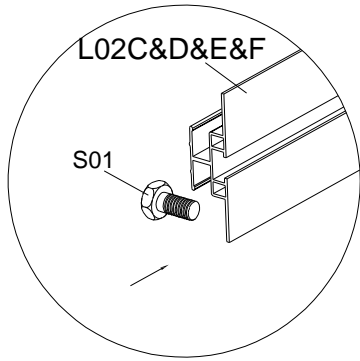
1. Fix 2 x L07B and 2 x L07C eaves to L01A/L01B and L03A, using S01 & M01.
2. Fix 2 x L23B and 2 x L23C to L01A/L01B and L03A, using S01 & M01.



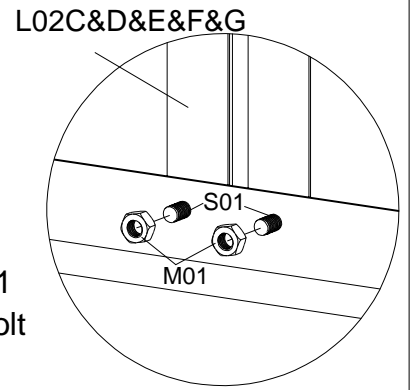
PART	NO	QTY
	L02C	1
	L02D	1
	L02E	1
	L02F	1
	L02G	1
	L23A	2
	L23D	1
	L05A	4
	S01 M6X12	20
	M01 M6	19



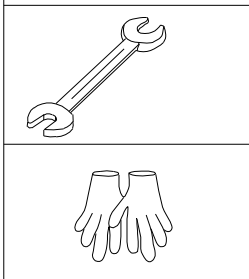
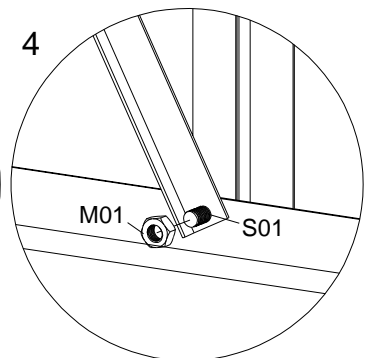
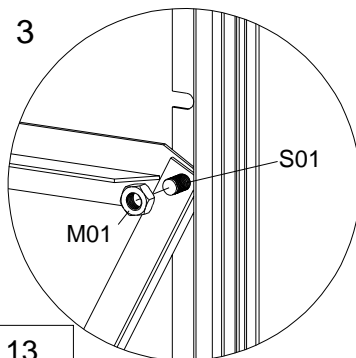
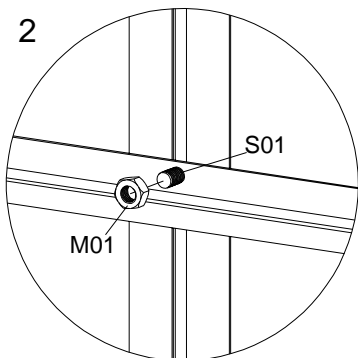
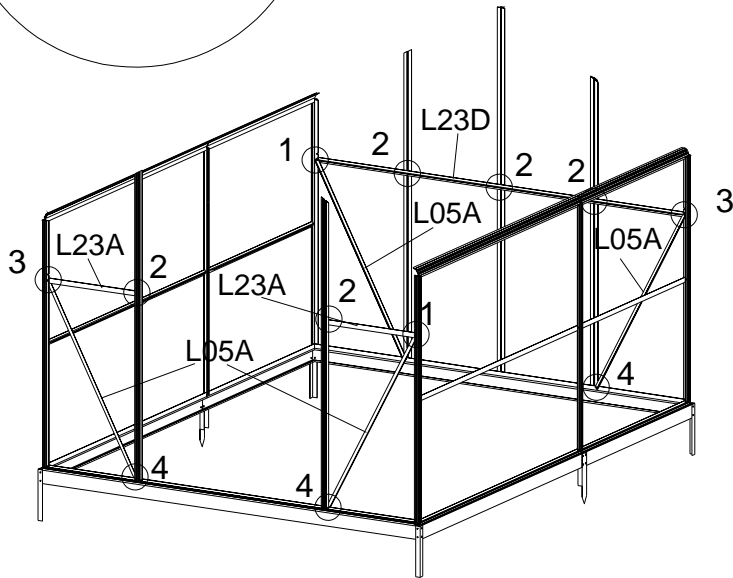
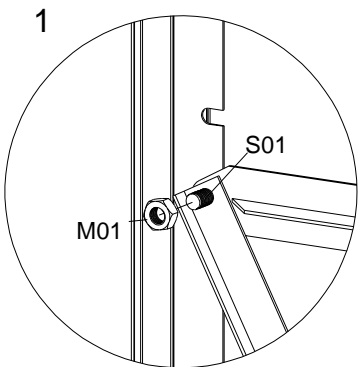
Fix L02C & L02D to cill L10; L02E, L02F and L02G to cill L08D, using S01 & M01.





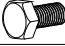

Slide 2 \* S01 into L02G bolt channel.



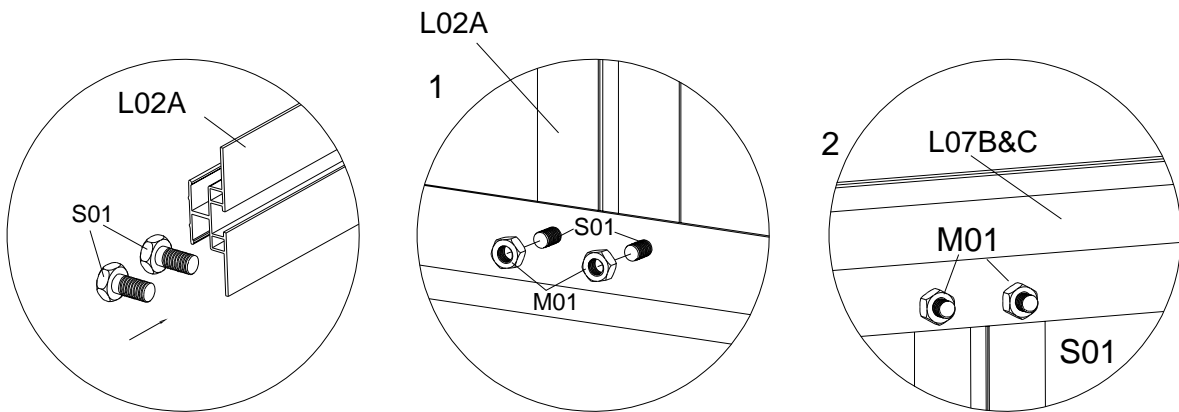
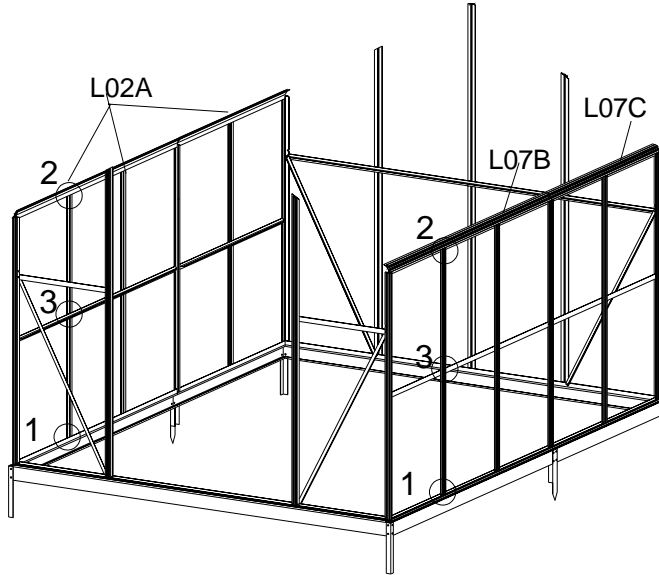
Fix bracings 4 x L05A, 2 x L23A and 1 x L23D as below, using S01 & M01



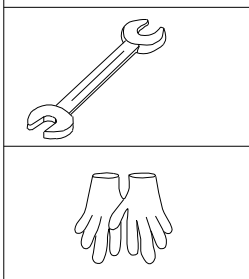
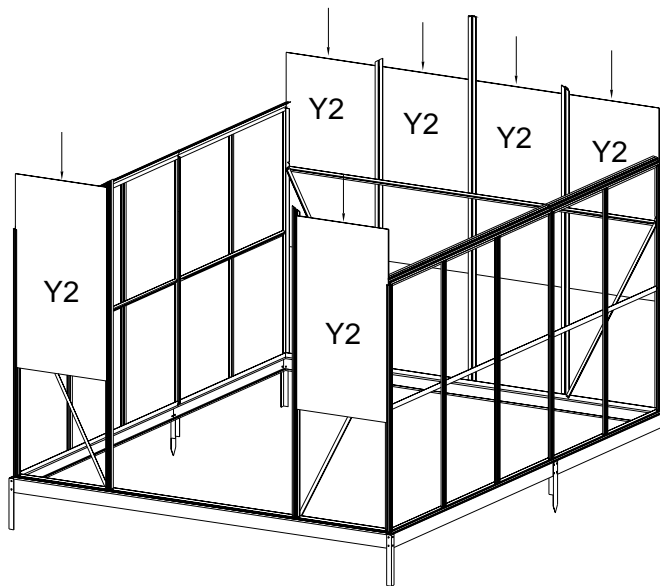
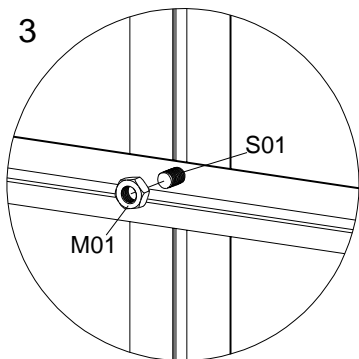




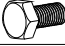

PART	NO	QTY
	L02A	6
	Y2	6
	S01 M6X12	36
	M01 M6	30

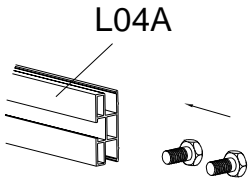
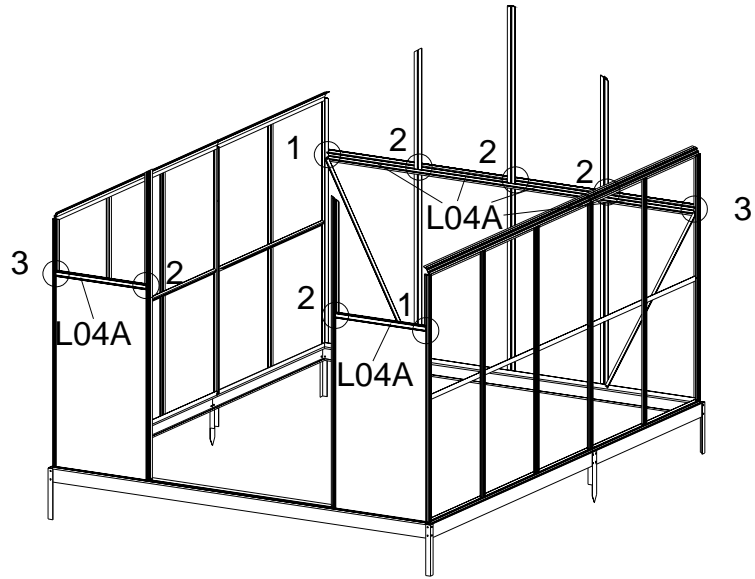
Fix L02A (6pcs) to L08B/L08C and L07B/L07C using S01 & M01.



Slide 2 bolts (S01) into each L02A bolt channel. One is to fix L23B/L23C, the other is to be used later for fixing L05B

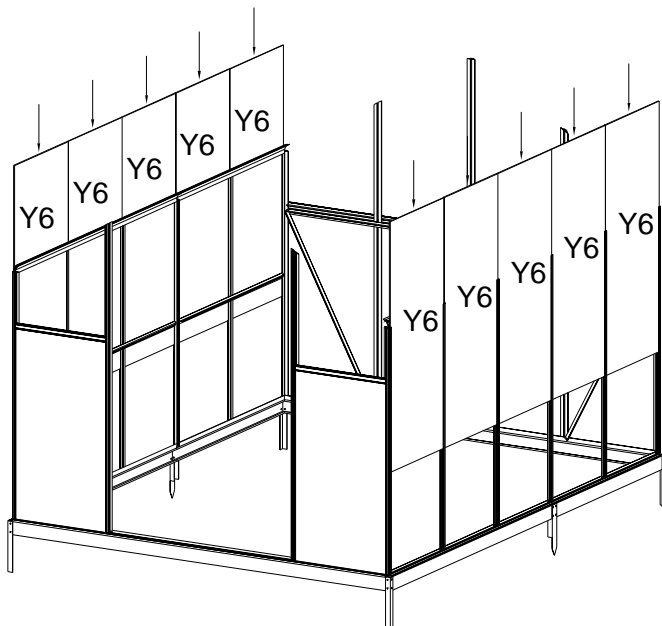
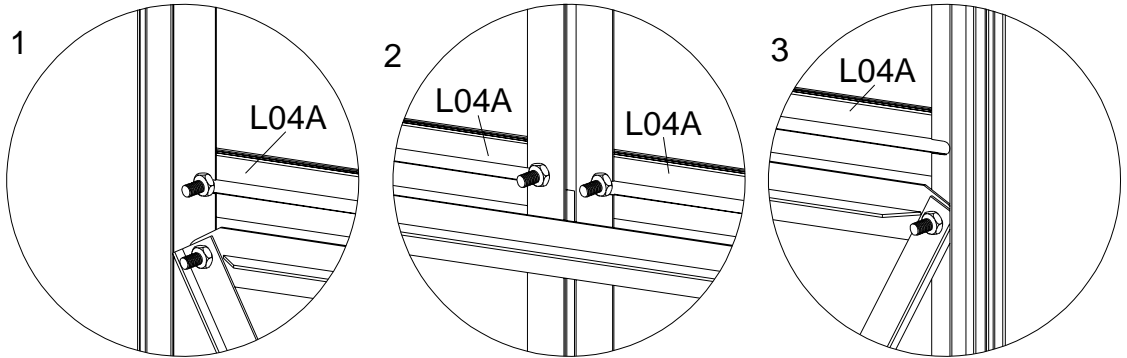


PART	NO	QTY
	L04A	6
	Y6	10
	S01 M6X12	12
	M01 M6	12

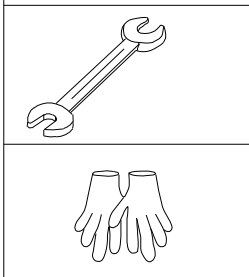




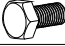

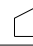
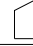
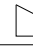
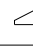

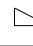
S01X2

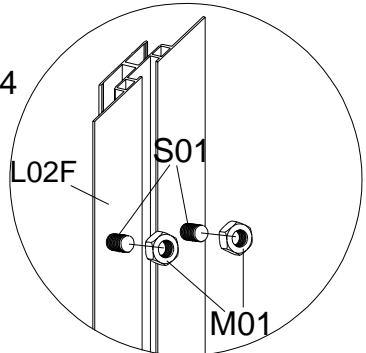
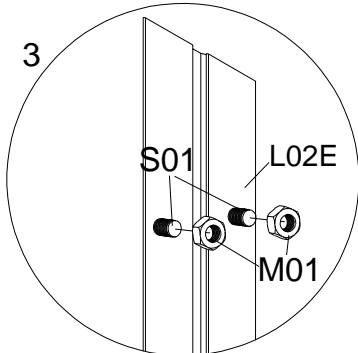
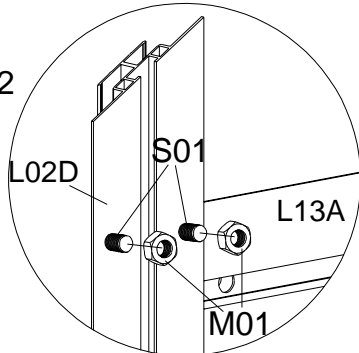
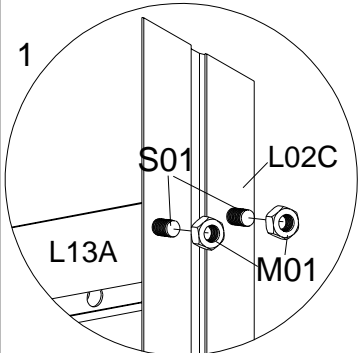
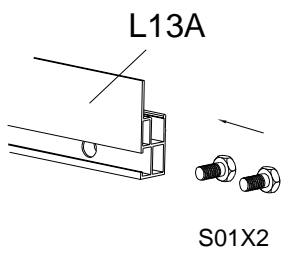
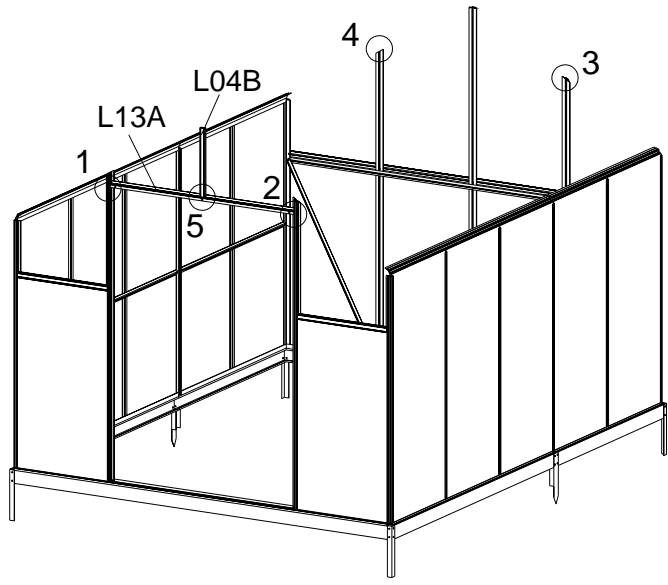
Fix bracings L04A (6pcs) as above, using S01 & M01.



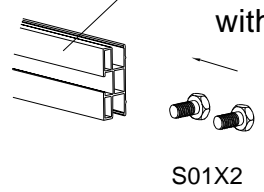
Slide the glazing panel Y6 into positions



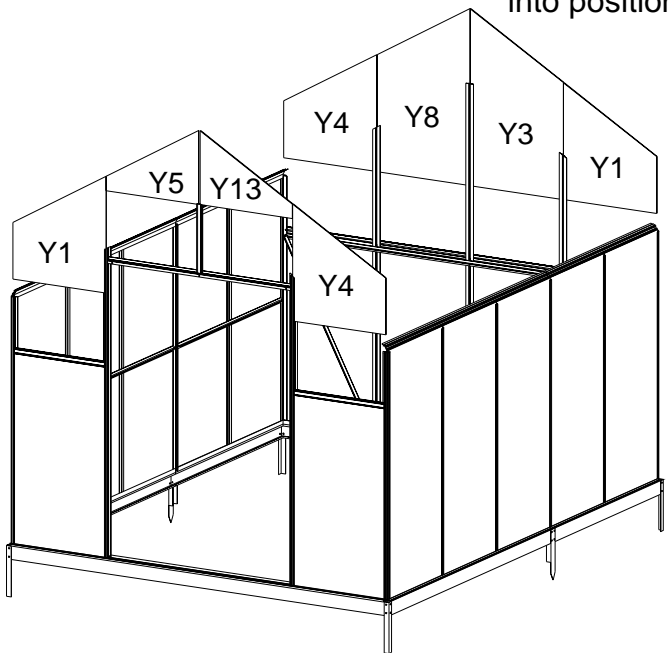
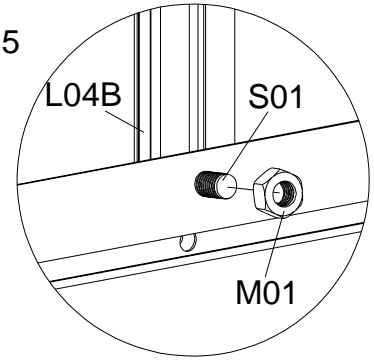
PART	NO	QTY
	L04B	1
	L13A	1
	S01 M6X12	10
	M01 M6	9
	Y1	2
	Y3	1
	Y4	2
	Y5	1
	Y8	1
	Y13	1



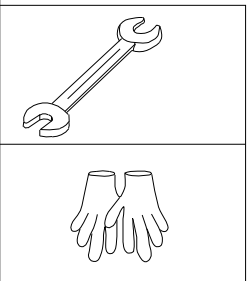
L04B Fix L13A to L02C & L02D with S01 & M01.

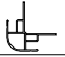
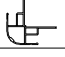

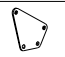
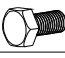



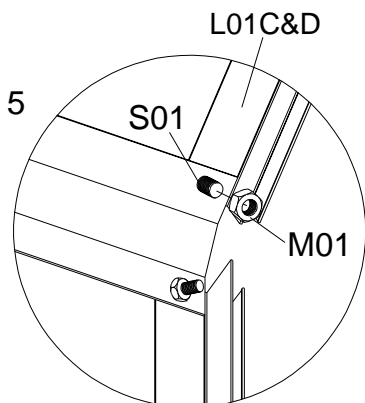
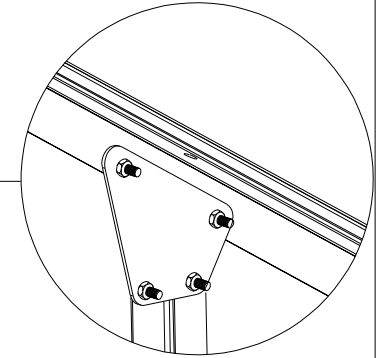
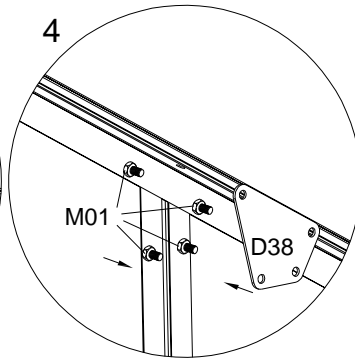
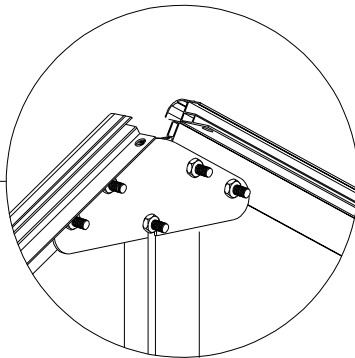
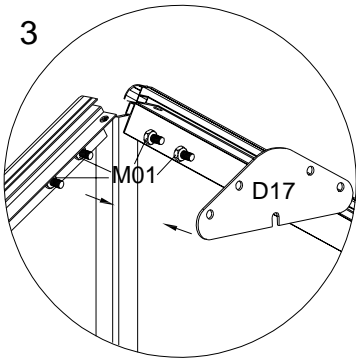
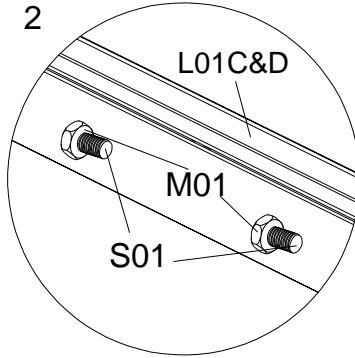
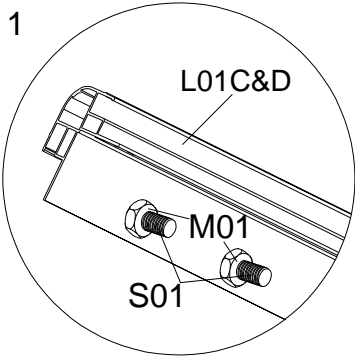
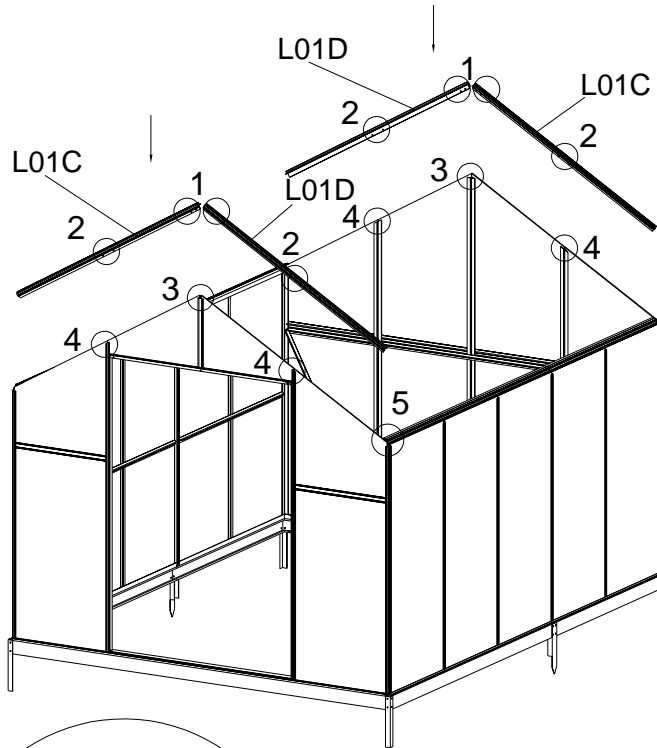
Preload the bolts S01 & M01 to L02E & L02F before sliding the panels into positions.



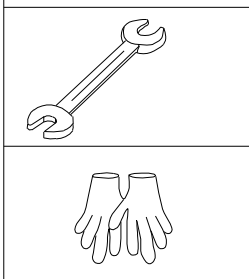
Slide the glazing panels Y1, Y3, Y4 Y5, Y8 and Y13 into positions.

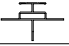






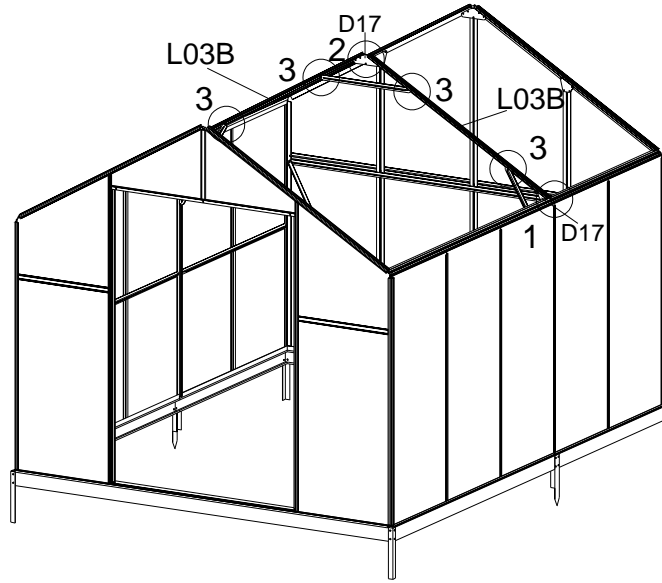
PART	NO	QTY
	L01C	2
	L01D	2
	D17	2
	D38	4
	S01 M6X12	20
	M01 M6	22



1. Preload S01 & M01 on L01C and L01D before fixing them to L01A/L01B. See figure 1 & 2.
2. Bolt L01C and L01D with plate D17, using S01 & M01 preloaded. And then fix them to L04B and L02G, using S01 & M01.
3. Fix L01C & L01D to L02C & L02D/L02E & L02F with the plate D38, using the S01 and M01 preloaded above.
4. Fix L01C & L01D to L01A & L01B, using S01 & M01.

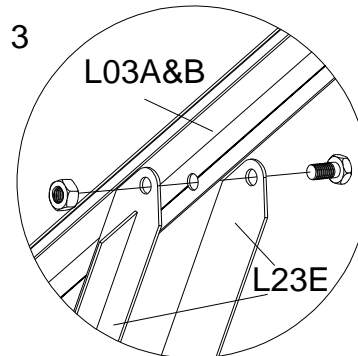
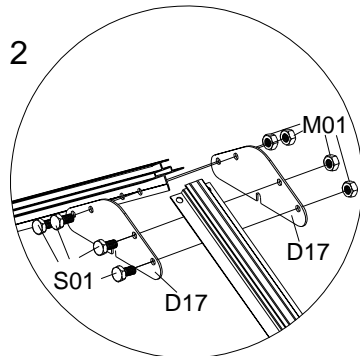
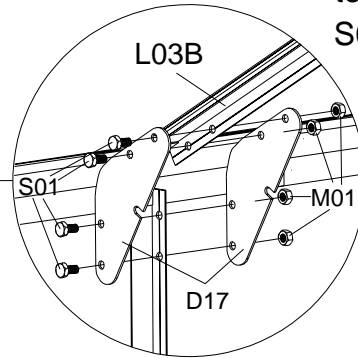
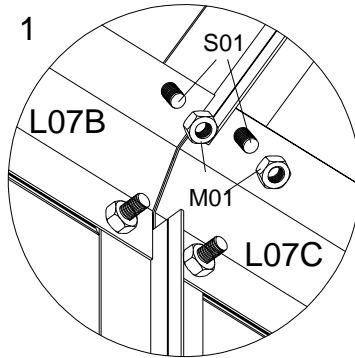


PART	NO	QTY
	L03B	2
	L23E	6
	D17	6
	S01 M6X12	22
	M01 M6	22



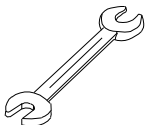
Fix glazing bars L03B (2pcs) to the eaves and the ridge profiles using S01 & M01








Fix plates D17 (2pcs) to L03A & L03B using S01 & M01.

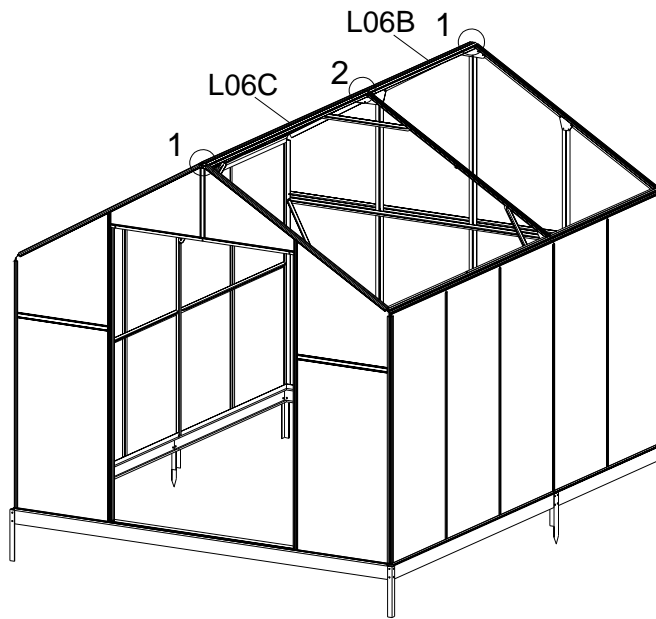


Fix plates D17 (2pcs) to the two L03B using S01 & M01.

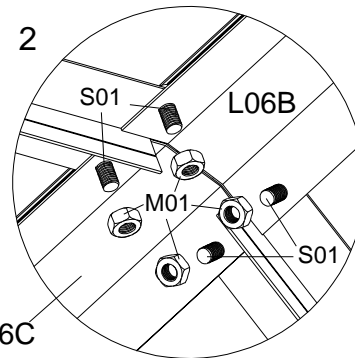
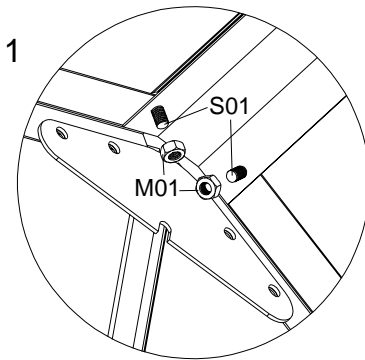
Fix L23E(6pcs) to L03A and L03B using S01 & M01.



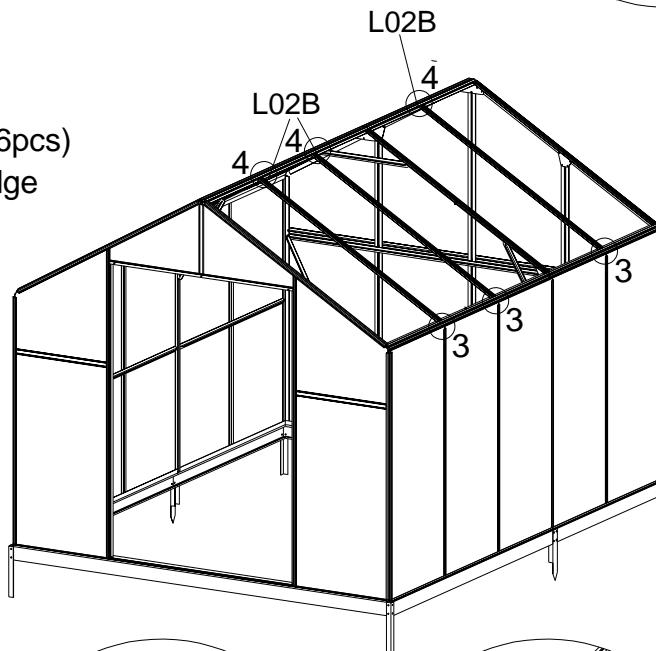
PART	NO	QTY
	L06B	1
	L06C	1
	L02B	6
	D26	1
	S01 M6X12	50
	M01 M6	32
	Z08 M4.2X16	2



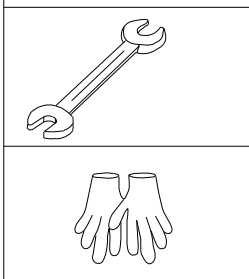
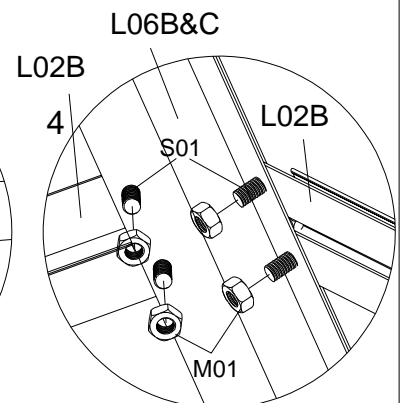
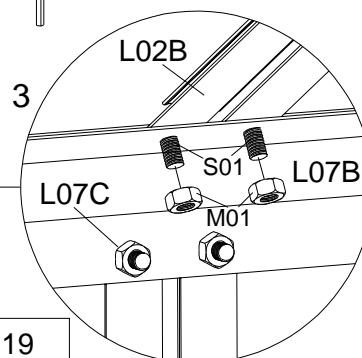
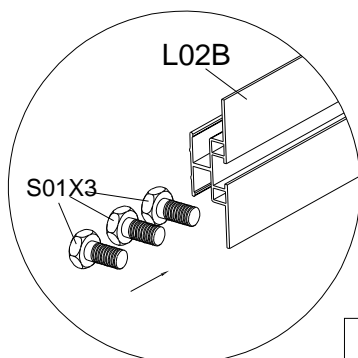
Bolt the ridge L06B & L06C to L01C, L01D and L03B, using S01 & M01.








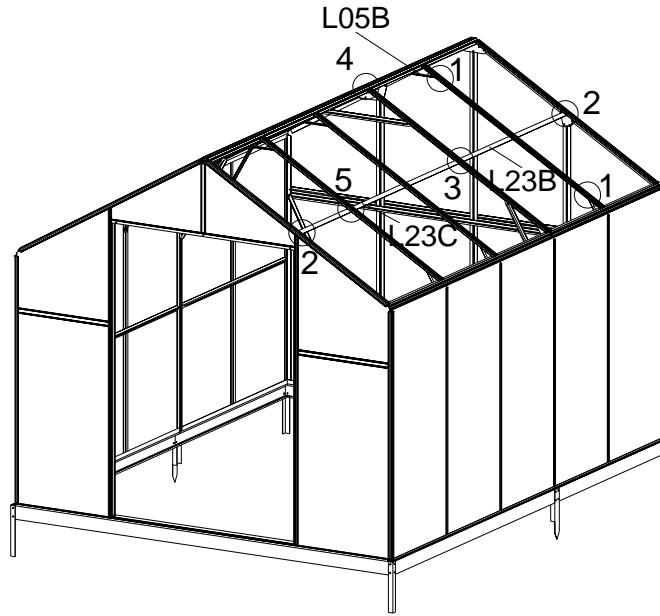
Fix glazing bars L02B (6pcs) to the eaves and the ridge profiles with S01 & M01



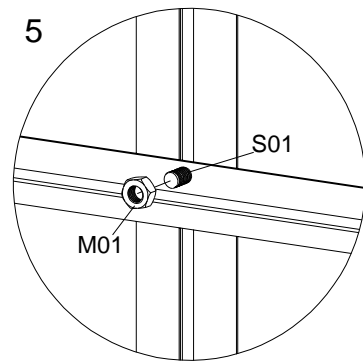
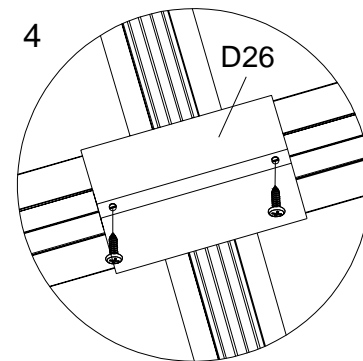
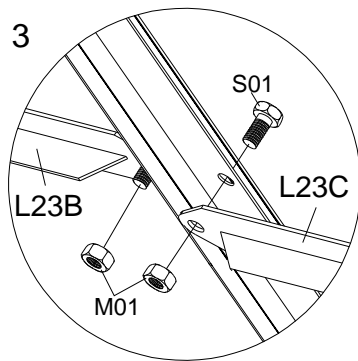
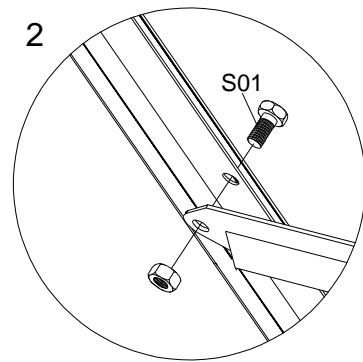
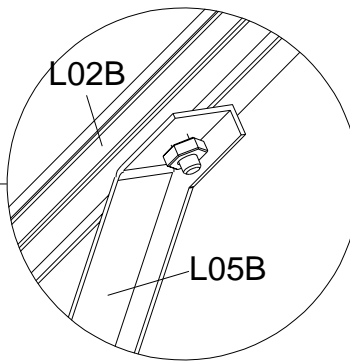
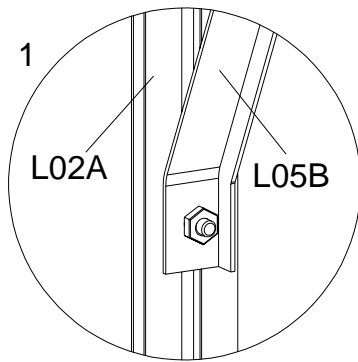
Slide 3 bolts (S01) into each L02B bolt channel to be used later.



PART	NO	QTY
	L23B	2
	L23C	2
	L05B	9
	S01 M6X12	8
	M01 M6	32



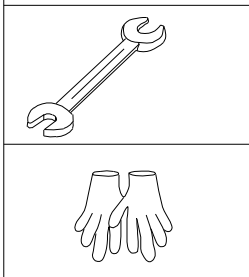
Bolt L05B (9 pcs) to L02A & L02B using the S01 bolt placed in the bolt channel earlier.





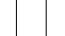
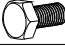



Bolt L23B/L23C to L01C/L01D & L03B with S01 & M01.

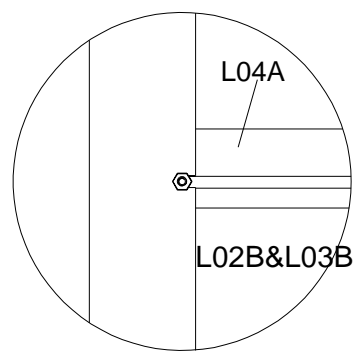
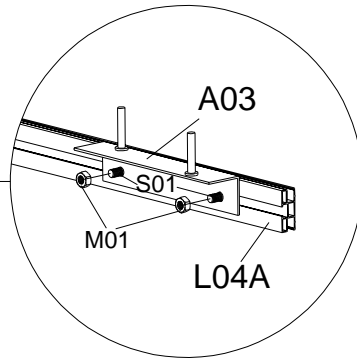
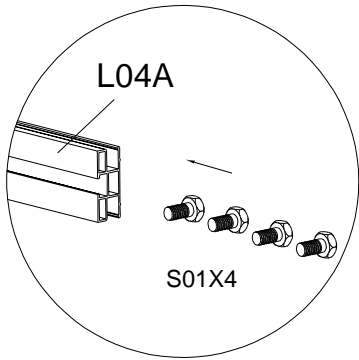
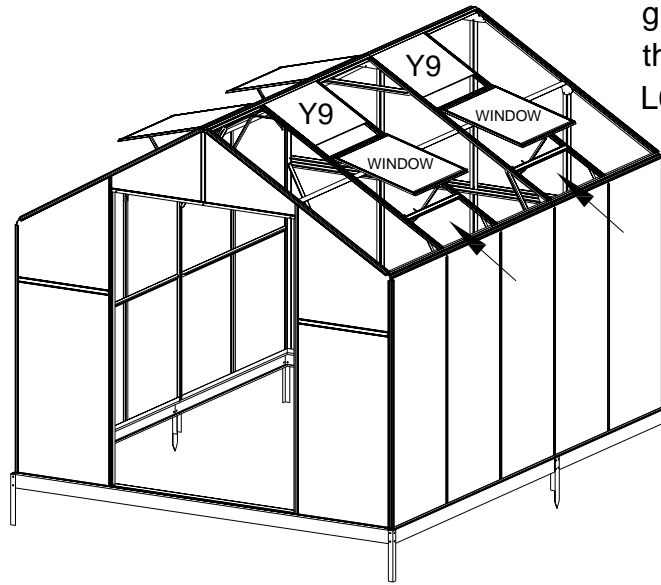
Fix D26 to L06B & L06C from outside with self-tapping screws Z08, using a powered screwdriver.

Bolt L23B/L23C to L02B using the S01 bolt placed in the bolt channel earlier.

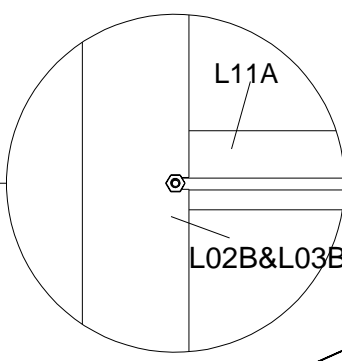
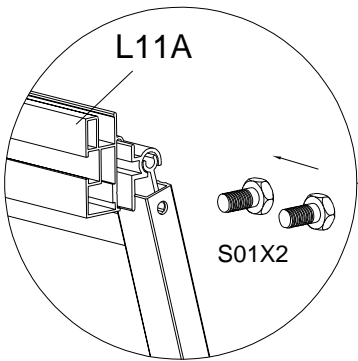


PART	NO	QTY
	L04A	4
	A03	4
	WINDOW	4
	Y7	6
	Y9	8
	S01 M6X12	24
	M01 M6	24

Firstly, slide the glazing panel Y9 into the channel of L02B/L03B

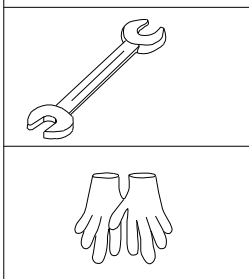
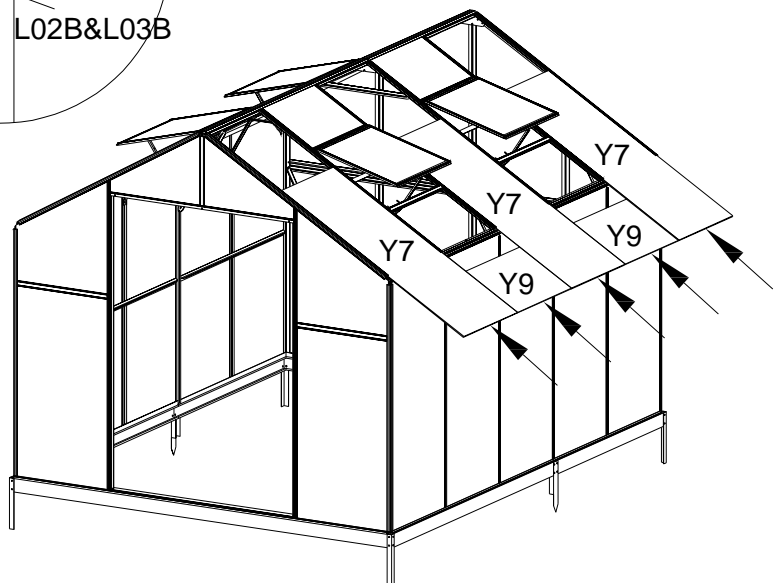


Slide 4 bolts (S01) into each L04A bolt channel. 2 to be fixed with A03, and another 2 to be fixed with L02B/L03B.




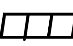
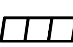






Slide the glazing panels into positions

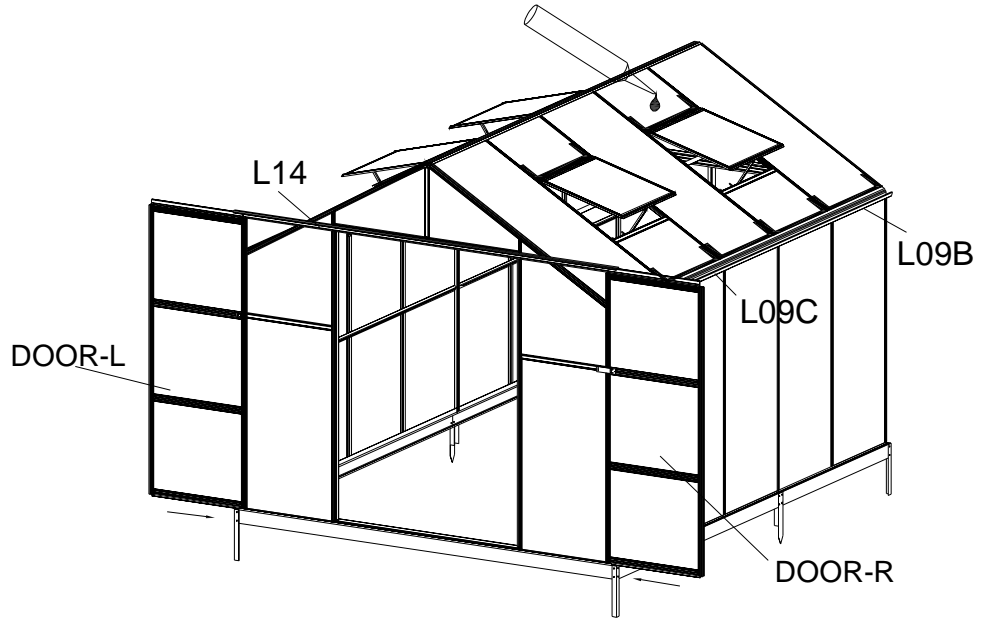
Slide 2 bolts (S01) into each L11A, and bolt it to L02B/L03B, using the S01 & M01.





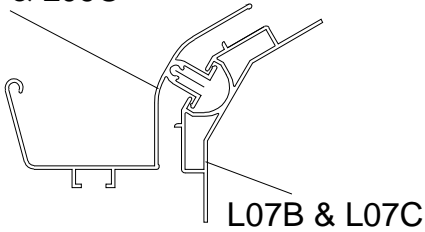
PART	NO	QTY
	L09B	2
	L09C	2
	L14	1
	D00R-R	1
	D00R-L	1
	D25	2
	S01 M6X12	6
	S02 M6X20	3
	M01 M6	7

After the panels and windows are in position,  
put some silicone sealant around to avoid leaking water.

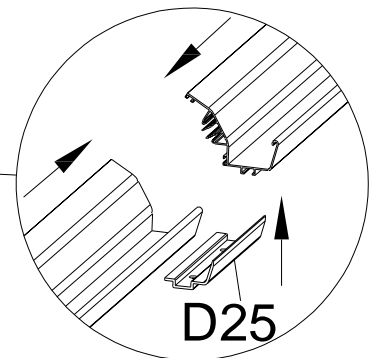
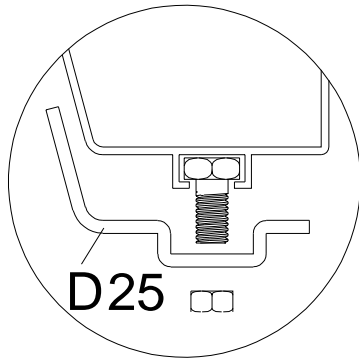
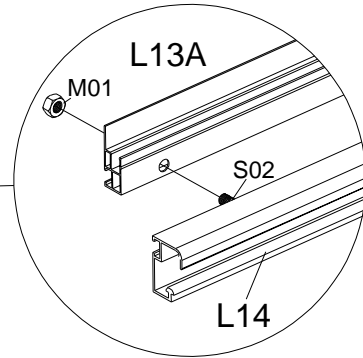
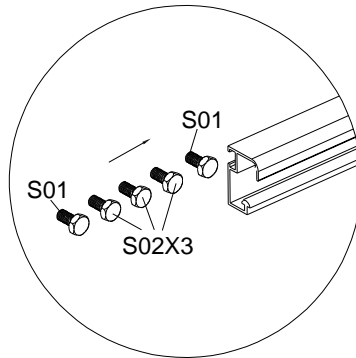


Slide 5 bolts (2\*S01 and 3\*S02) into L14 bolt channel. Bolt L14 to L13A with S02 & M01.

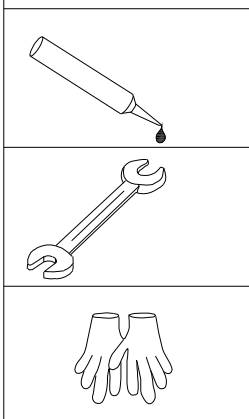
L09B & L09C









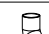

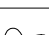
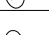
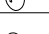



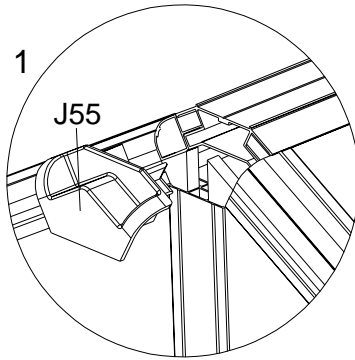
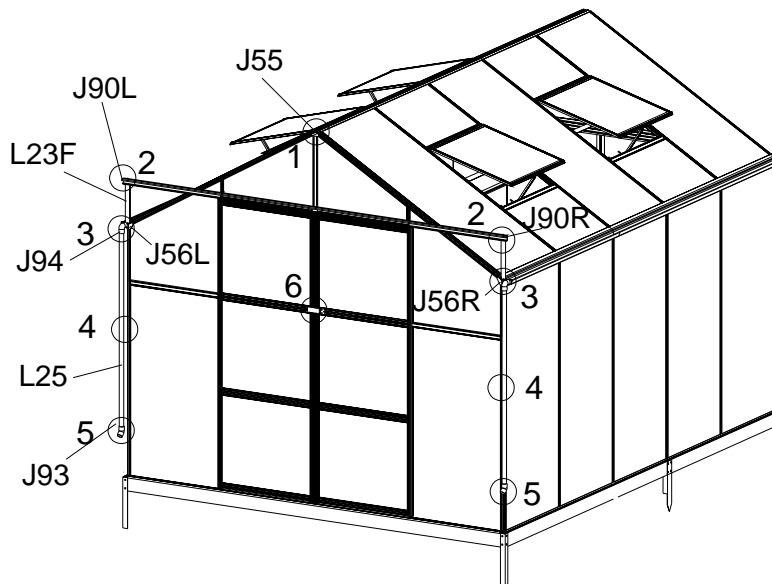
When the panels are completely inserted, fix gutter profile L09B & L09C. Tap it gently into position with a rubber mallet.



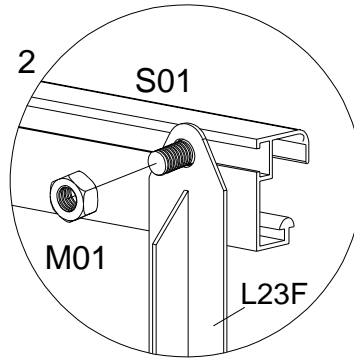
Slide 1\*S01 into the bolt channel of L09B & L09C, fix D 25 to L09B & L09C using S01 & M01.



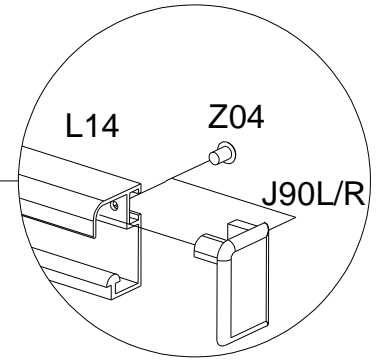
PART	NO	QTY
	L23F	2
	J55	2
	J56R	2
	J56L	2
	J90R	1
	J90L	1
	J94	4
	L25	4
	J93	4
	J92	4
	Z08 M4.2X16	4
	Z02 Ø4X16D	8
	Z04 Ø4X8	2
	M01 M6	2



1  
Fix the cover caps J55 into the ridge profile

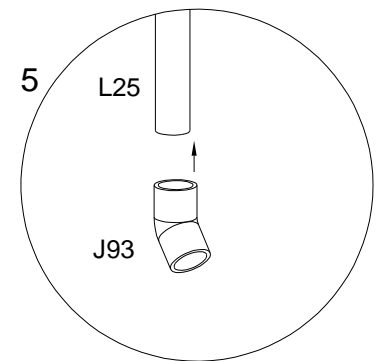
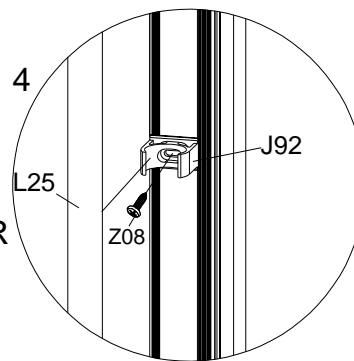
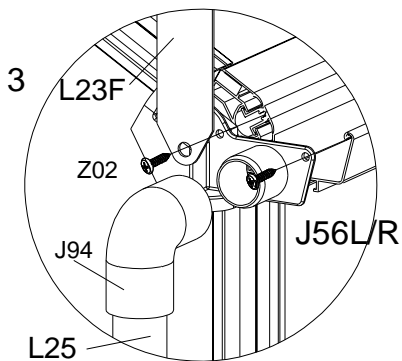


2  
Fix L23F (2pcs), one end to L14 and the other end to L09C through J56L/R, using the S01 preloaded and M01.



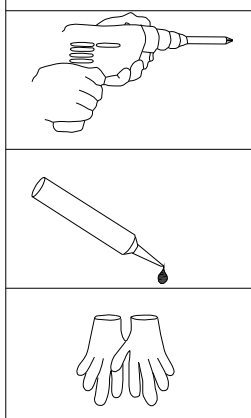
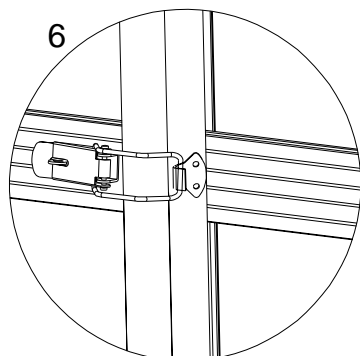
3  
Fix the cover caps (J90L/R) carefully with Z04.

Fix the cover caps (J56L/R) carefully with Z02. Be careful to ensure that the screws are driven in straight and in the correct position (see detail drawings).



4  
Drill a hole in L01A/L01B, approximately 3mm diameter and 700mm up from the bottom. Fix the J92 downpipe bracket with Z08 screws and then clip the L25 downpipe into the J92 bracket.

5  
If you wish to eliminate leaks use glue when fixing the downpipe bends (not provided).



## Contact information

Austria



Belgium



Croatia



Denmark



Estonia



Finland



France



Germany



Ireland



Italy



Latvia



Lithuania



Nederland



Norway



Poland



Portugal



Spain



Sweden



Switzerland



UK

