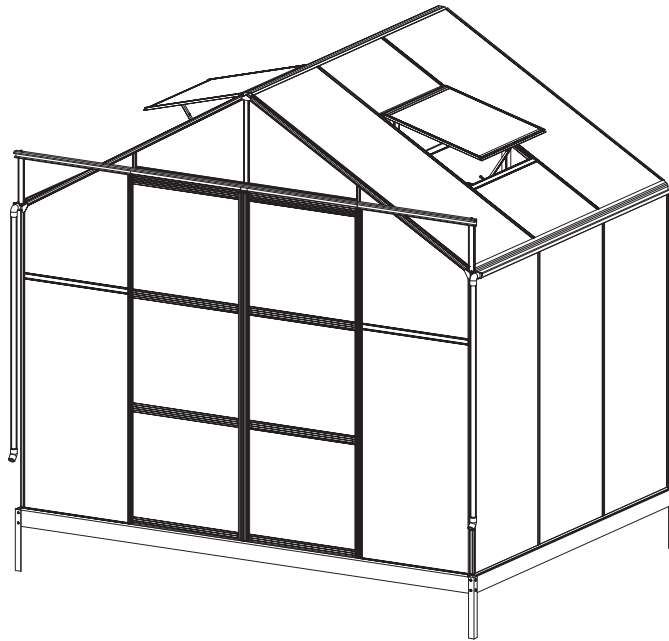


DANCOVER[®]

.com

Manual
for
Greenhouse
2,5x1,89x2,28m

Assembly Instruction



PRODUCT SIZE(LxWxH): 189 X 250 X 228CM
PLEASE READ CAREFULLY BEFORE ASSEMBLY

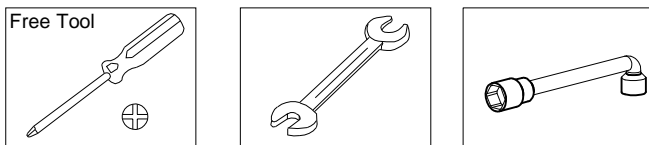
CONTENTS

1. Assembly Advice	Page 1
2. Product Features	Page 2
3. Parts List	Page 3 - 4
4. Door Assembly	Page 5 - 6
5. Roof Vent Assembly	Page 7 - 8
6. Base Assembly	Page 9 -10
7. Framework & Glazing Assembly	Page 11 - 22

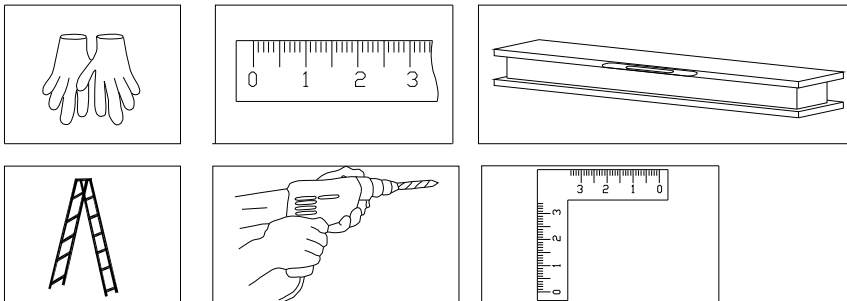
Assembly and Maintenance Advice

1. For safety purposes, we strongly recommend that this product is assembled by at least two people.
2. Some components have sharp metal edges. Please be careful when handling metal components. Please wear gloves, shoes and safety goggles during assembly.
3. Lay all of the components on a soft carpet or blanket to avoid any scratches or damages.
4. DO NOT climb or stand on the roof. Heavy articles should not be leaned against the greenhouse.
5. Keep the roof and gutter clear of snow, dirt & leaves. Allowing snow to build up on the roof may damage the product.
6. Unlike steel, if the paint finish is scratched this will not harm the aluminium underneath.
7. When your product needs cleaning, use a mild detergent solution and rinse with cold clean water. Do not use acetone, abrasive cleaners or strong detergents to clean the panels.

Tools Provided:



Tools Required when Assembly (Not Provided)



Assembly at least by two Persons

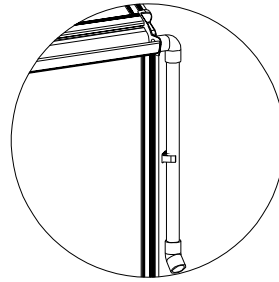


Important:

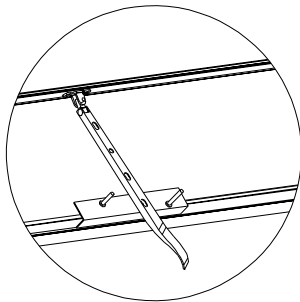
Rubber is not provided if you choose polycarbonate sheet as glazing panel.

Functions and Features:

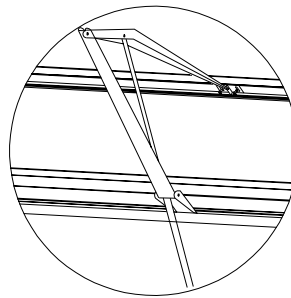
1. The strong two part eaves beam includes an integral gutter. Downpipes are also included as standard so you can collect rainwater.



2. Manual window handles are included as standard with the roof vents. If required, automatic roof vent openers are available as an inexpensive optional extra.

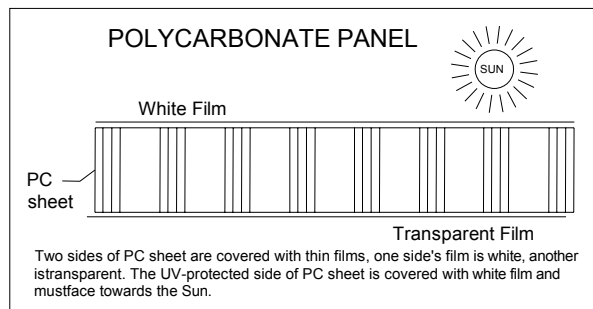


Manual Opener






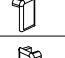
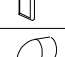


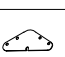

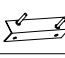
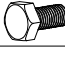
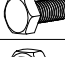

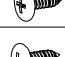
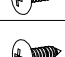
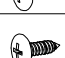
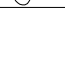

Automatic Opener

3. Remove approximately 2 inches of film from all sheet edges before installing and remove all film immediately after the construction is completed. Please ensure that the side with the white film faces outwards.



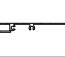

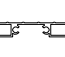
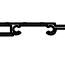


4. This quality greenhouse features self-tapping screws to provide strong joints. As the name suggests, the screws tap their own thread. Driving in self-tapping screws requires more force than conventional screws. A powered screwdriver is therefore recommended.

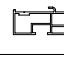

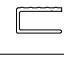
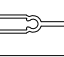
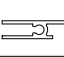

PART	NO	QTY
	L01A	2
	L01B	2
	L01C	2
	L01D	2
	L02A	4
	L02B	4
	L02C	1
	L02D	1
	L02E	1
	L02F	1
	L02G	1
	L04A	8
	L04B	1
	L05A	4
	L05B	6
	L06C	1
	L07C	2
	L08C	2
	L08D	1
	L09C	2
	L10	1
	L13A	1
	L14	1
	L23A	2
	L23C	4
	L23D	1
	L23F	2
	L25	4

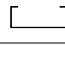
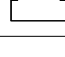
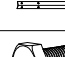

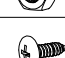
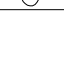
PART	NO	QTY
	J55	2
	J56R	2
	J56L	2
	J90R	1
	J90L	1
	J94	4
	J93	4
	J92	4
	D17	2
	D38	4
	A03	2
	S01 M6X12	152
	S02 M6X20	3
	M01 M6	155
	Z01 Ø4X25	32
	Z02 Ø4X16D	32
	Z04 Ø4X8	10
	Z08 M4.2X16	8

door

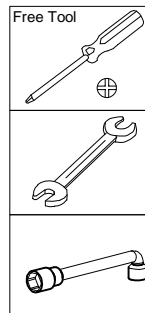
Part	NO.	QTY.
	L18A	3
	L18B	1
	L15	2
	L16A	1
	L16B	3
	L17	2











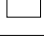

windowsX2

Part	NO.	QTY.
	L11A	2
	L12A	2
	L19	4
	L20	2
	L21	2
	A01	2


PART	NO	QTY
	D1	2
	C1	2
	D70	4
	S01 M6X12	16
	M01 M6	16
	Z08 M4.2X16	24

Tools Provided:

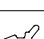


PART	NO	QTY
	Y1	2
	Y2	6
	Y3	1
	Y4	2
	Y5	1
	Y6	6
	Y7	4
	Y8	1
	Y9	4
	Y10	2
	Y11	6
	Y13	1

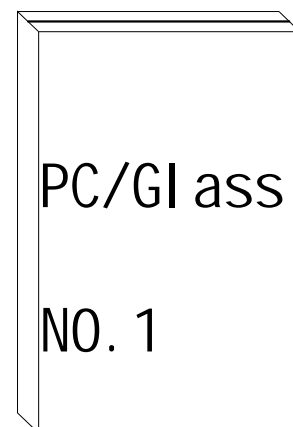
Rubber

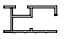

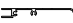




PART	NO	QTY
	J107	99M

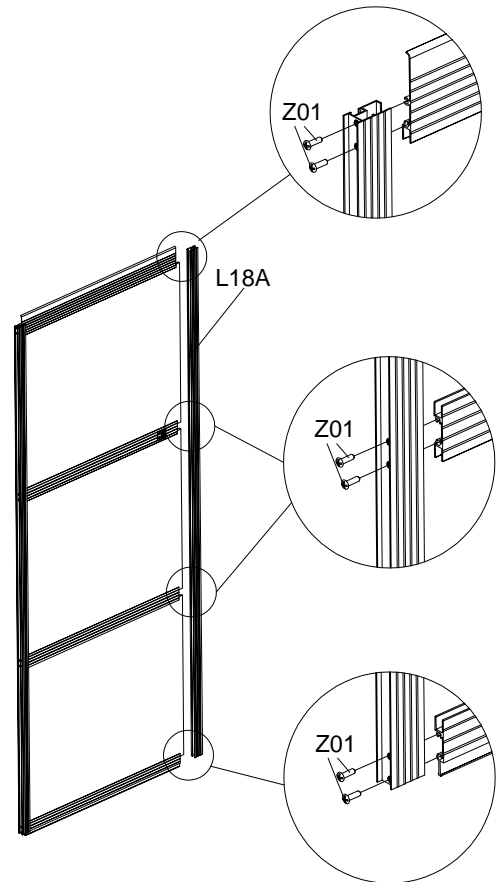
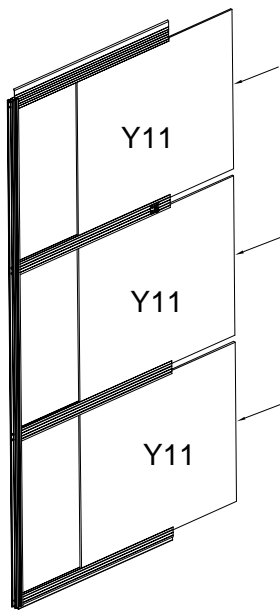
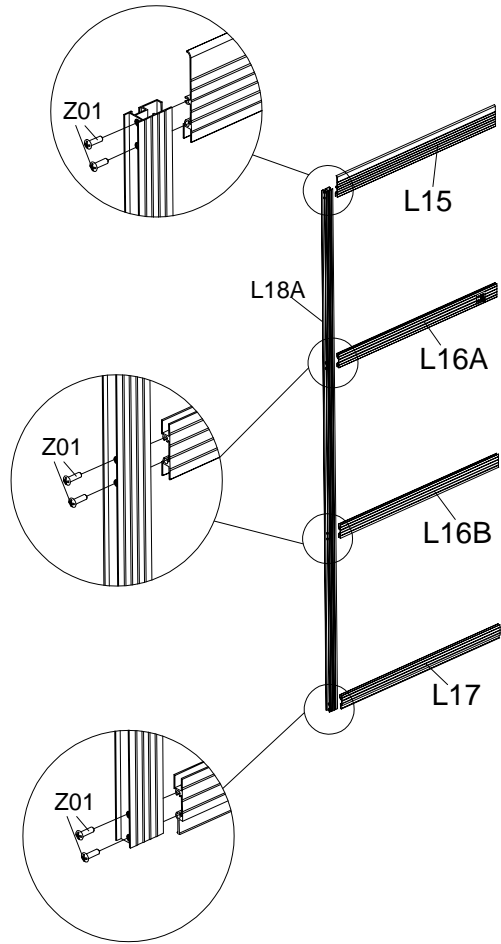
Rubber for walls & roof
(Provided for glass only)




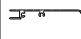



PART	NO	QTY
	J107	74M

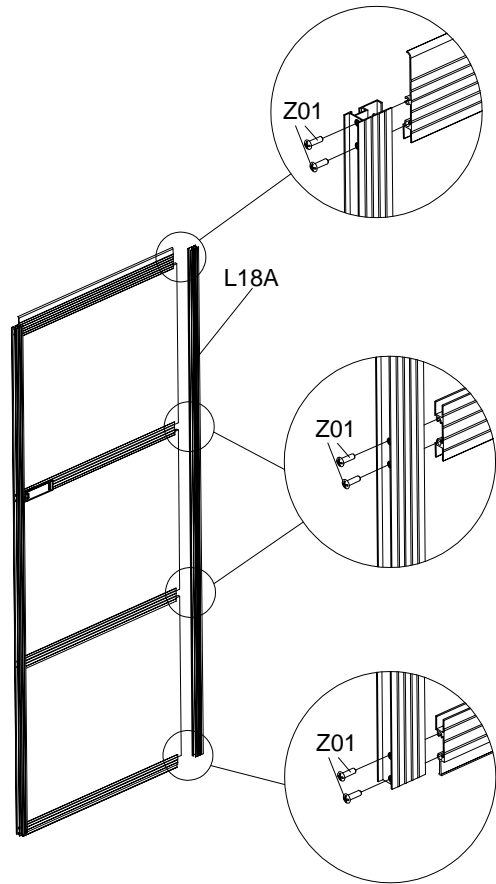
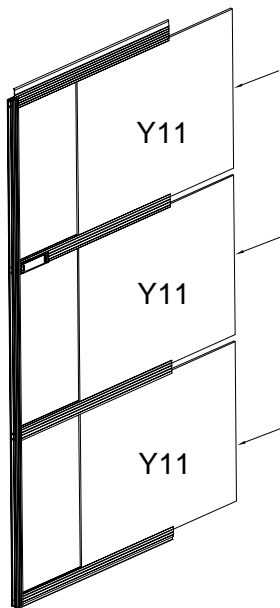
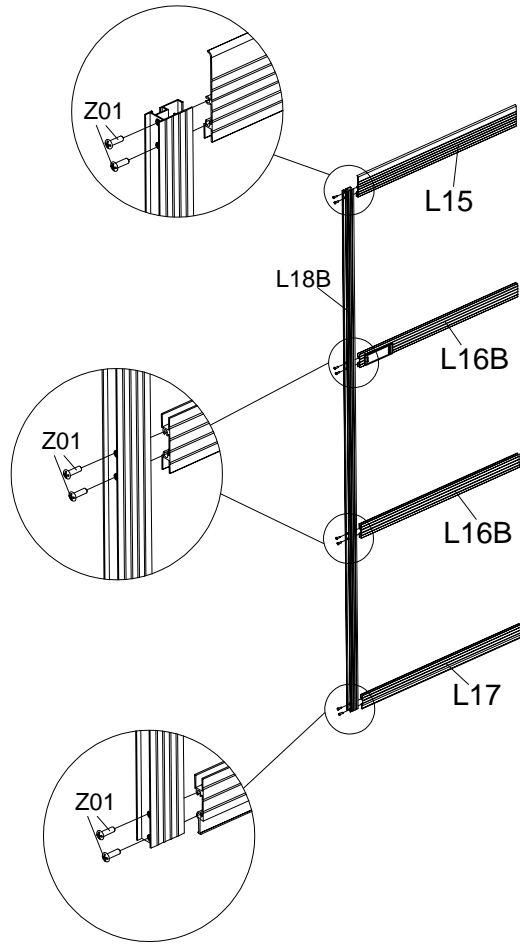
Rubber for walls only
(Provided for glass only)

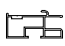




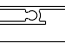

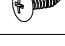
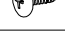



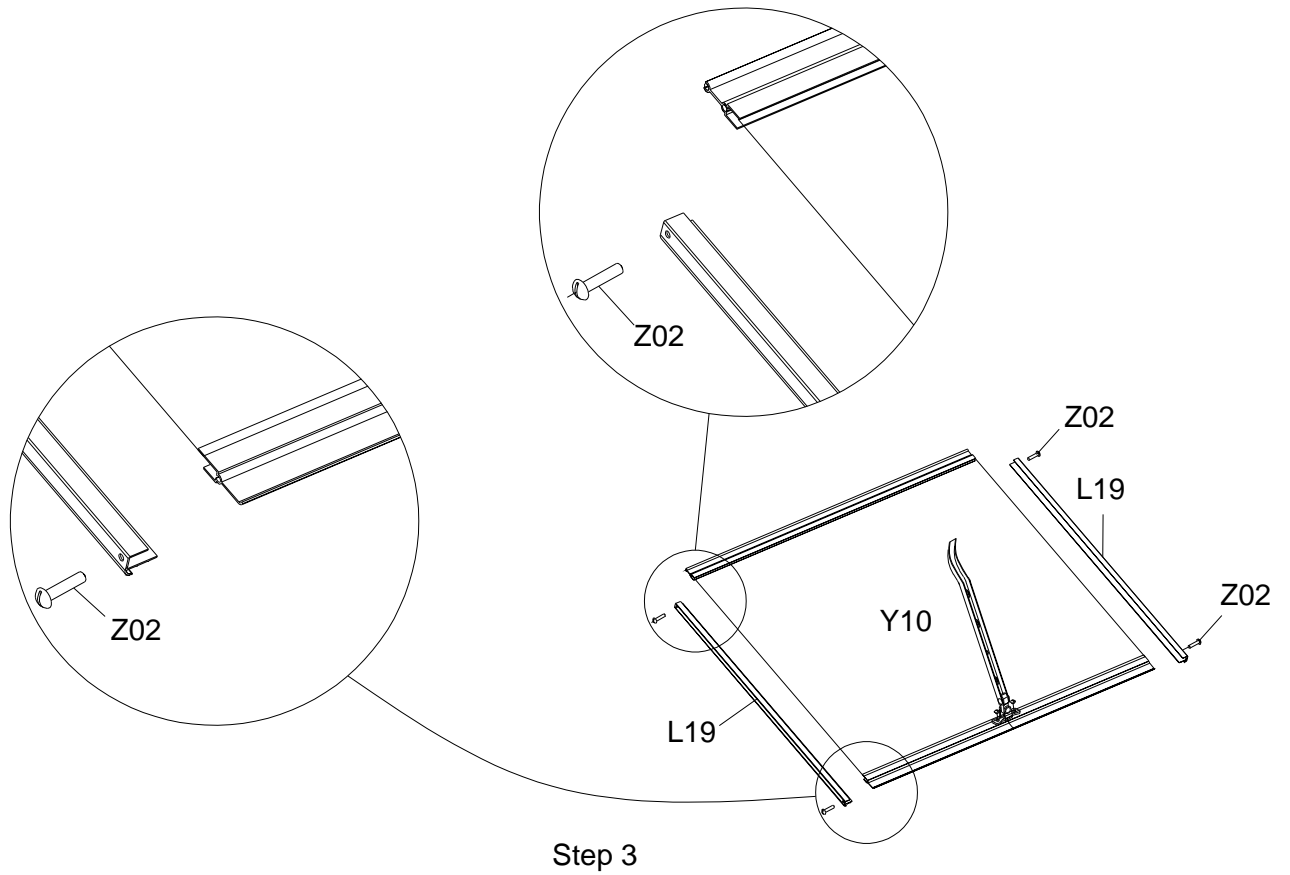
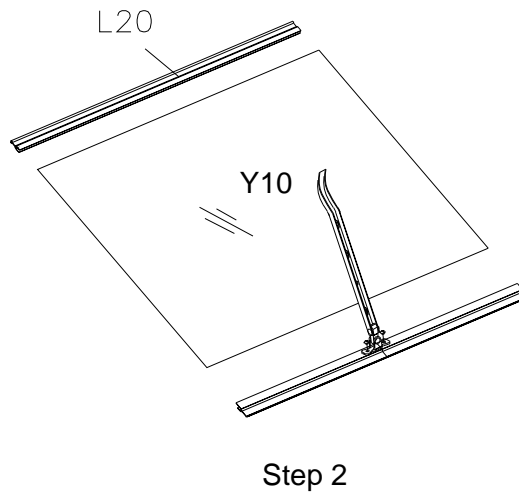
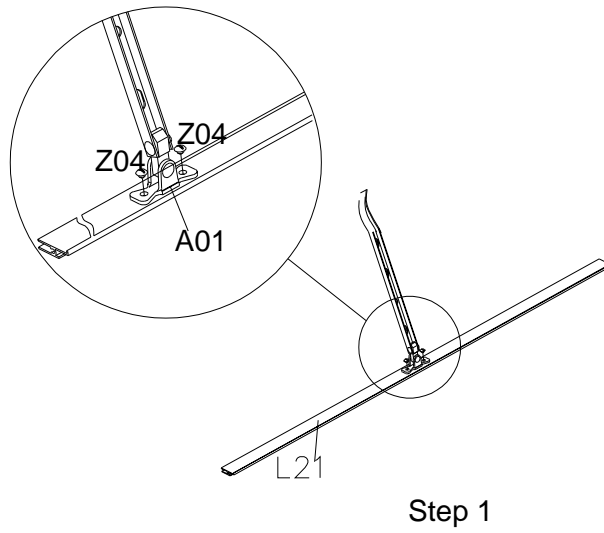
Part	NO.	QTY.	Part	NO.	QTY.
	L18A	2		Y11	3
	L15	1			
	L16A	1			
	L16B	1			
	L17	1			
	Z01 Ø4X25	16			

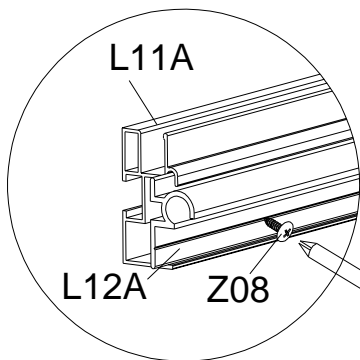
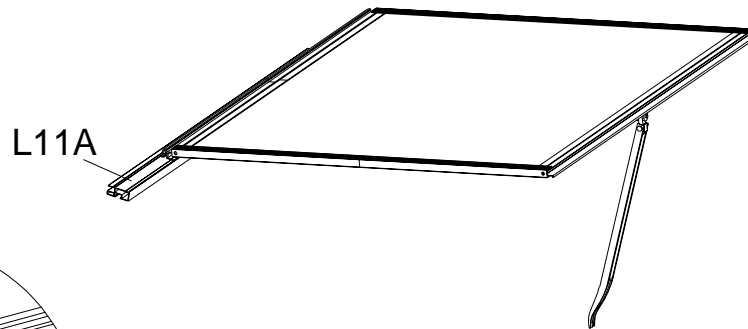
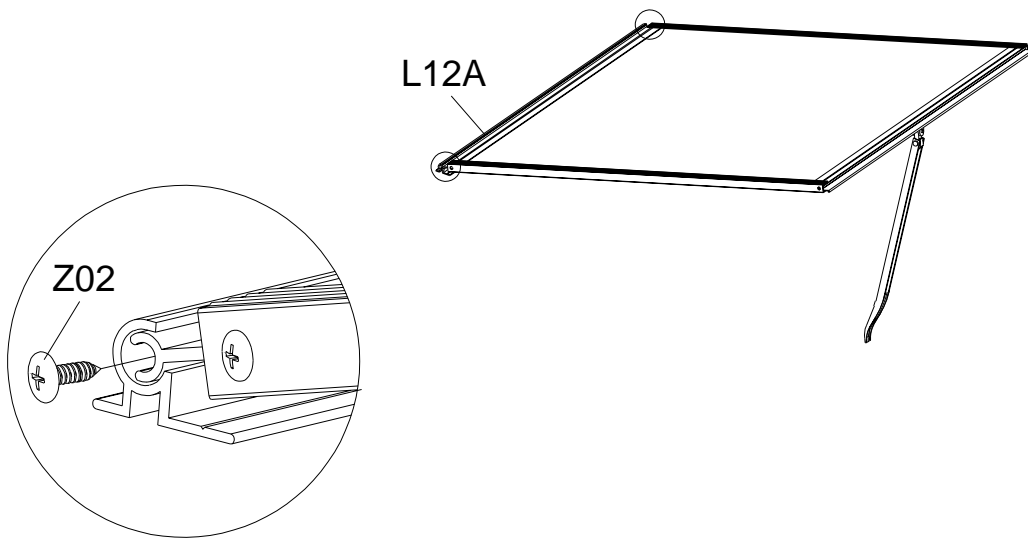


Part	NO.	QTY.	Part	NO.	QTY.
	L18A	1		Y11	3
	L18B	1			
	L15	1			
	L16B	2			
	L17	1			
	Z01 Ø4X25	16			









Part	NO.	QTY.	Part	NO.	QTY.
	L11A	1		Y10	1
	L12A	1			
	L19	2			
	L20	1			
	L21	1			
	A01	1			
	Z02 Ø4X16D	6			
	Z04 Ø4X8	2			
	Z08 M4.2X16	2			

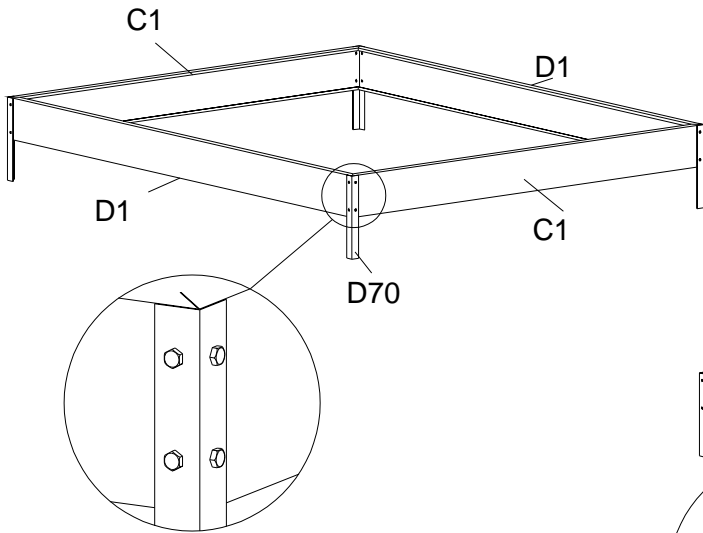
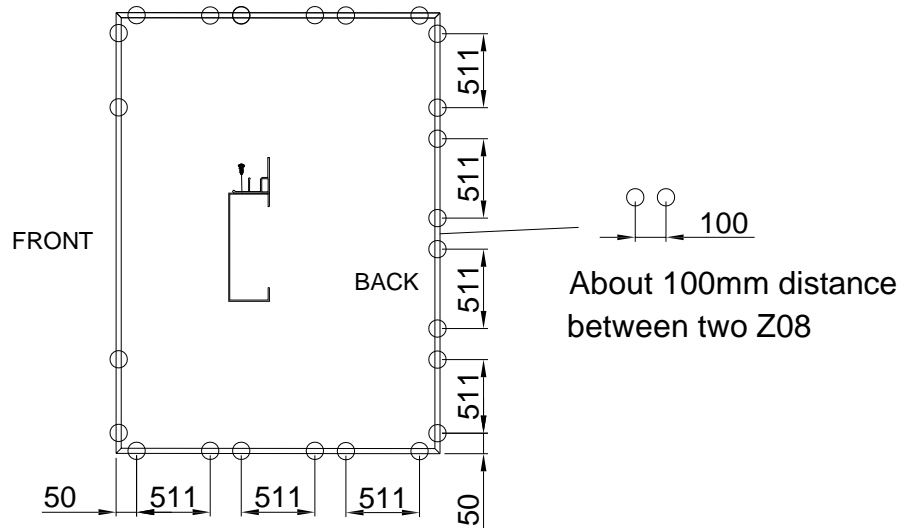




L11A is factory fitted
to L12A already

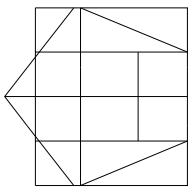
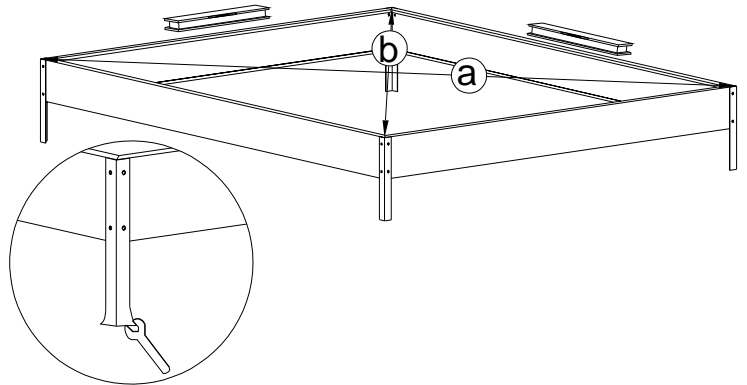
Two windows are standard

PART	NO	QTY
	D1	2
	C1	2
	D70	4
	S01 M6X12	16
	M01 M6	16
	Z08 M4.2X16	24

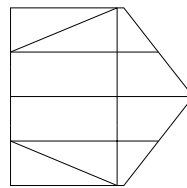


Ⓐ = Ⓑ

Fix the base before assembly the greenhouse.
This is the way to fix the base.

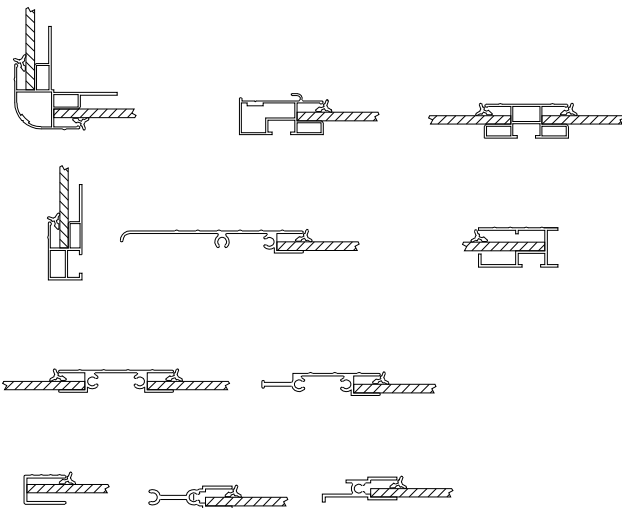
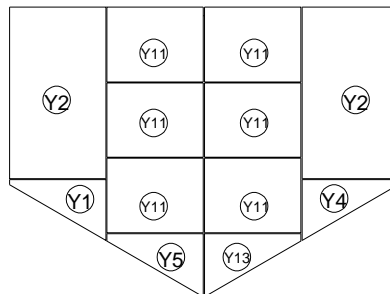
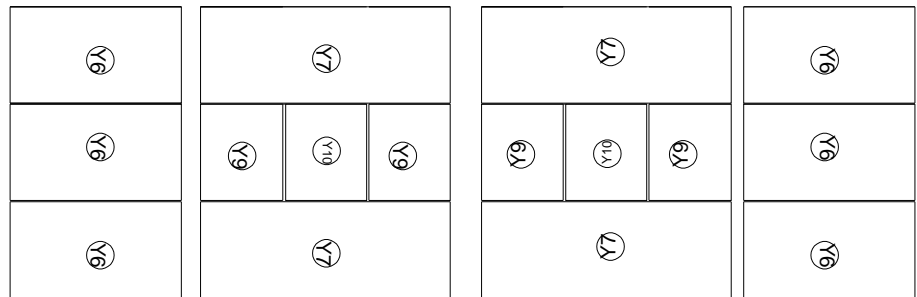
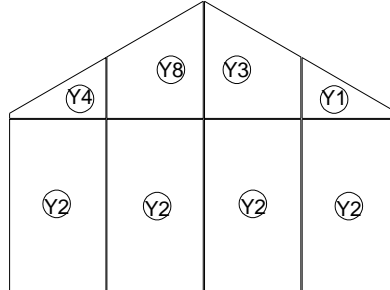


- L06C
- L05C
- L07C
- L05C
- L08C
- L08C
- L05C
- L07C
- L05C
- L06C



GH152230

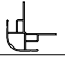
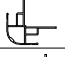



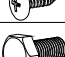


PART	NO	QTY
	Y1	2
	Y2	6
	Y3	1
	Y4	2
	Y5	1
	Y6	6
	Y7	4
	Y8	1
	Y9	4
	Y10	2
	Y11	6
	Y13	1

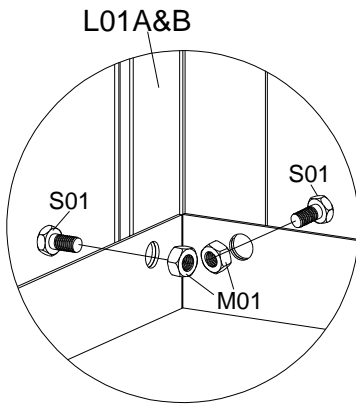
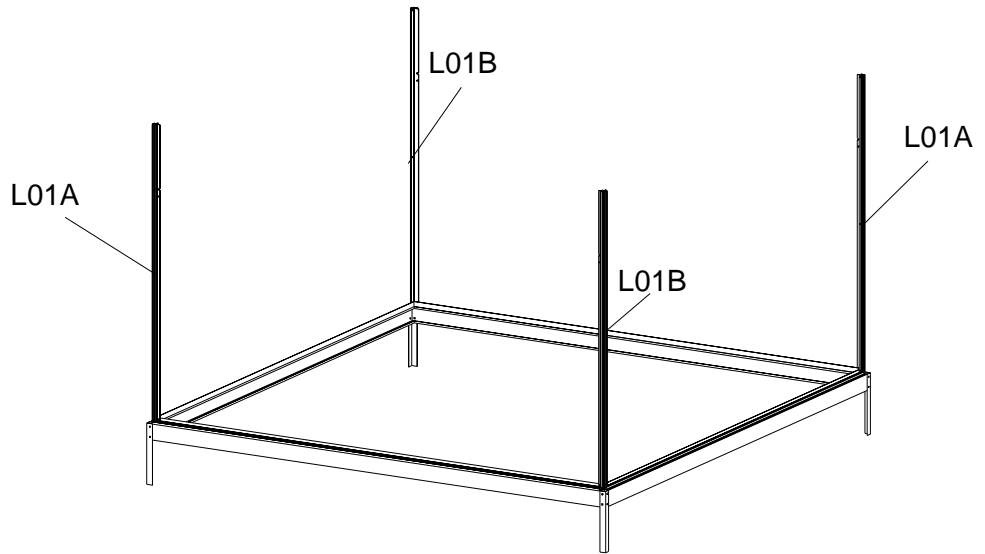


Attention:

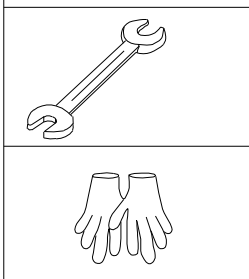
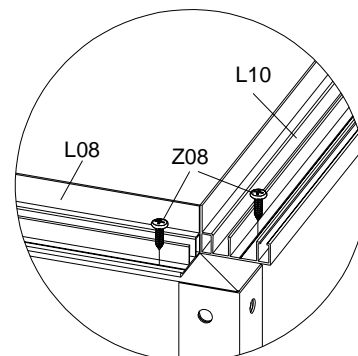
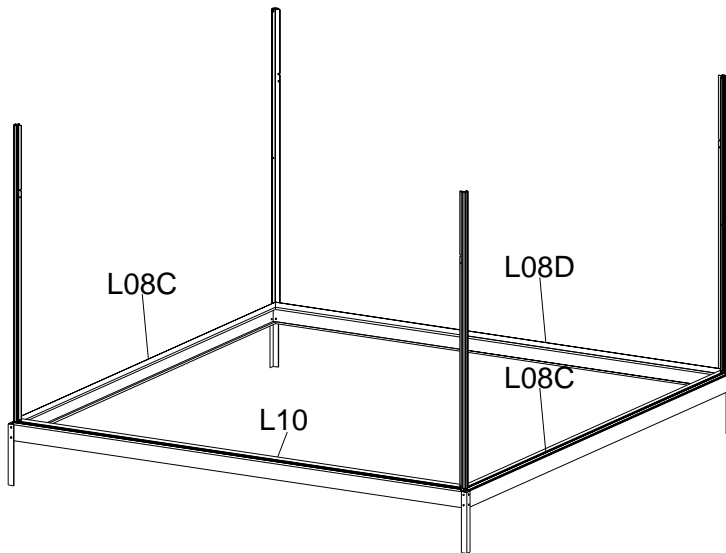
If glass is chosen, please seal it with rubber(J11) provided after the whole assembly is finished.



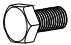

Rubber is not provided if you choose polycarbonate sheet as glazing panel.

PART	NO	QTY
	L01A	2
	L01B	2
	L08C	2
	L08D	1
	L10	1
	Z08 M4.2X16	24
	S01 M6X12	8
	M01 M6	8

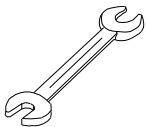
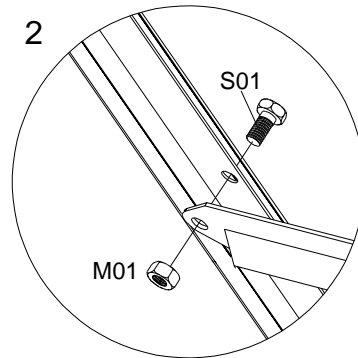
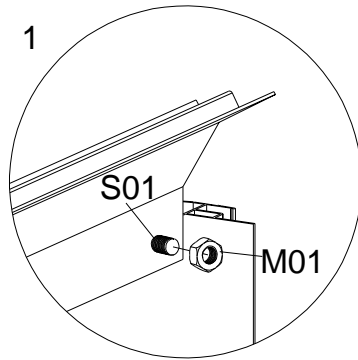
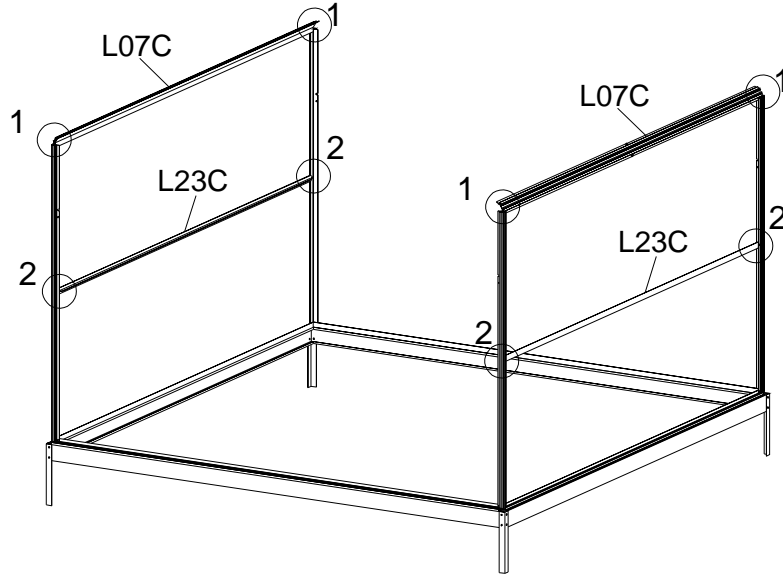


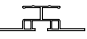

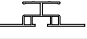
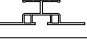






1. Fix the glazing bars (2 x L01A and 2 x L01B) to the cills (L10 and L08D, 2 x L08C) with S01 & M01 provided.
2. Fix the cills to the base with Z08, using a powered screwdriver. See Page No. 7 for details.

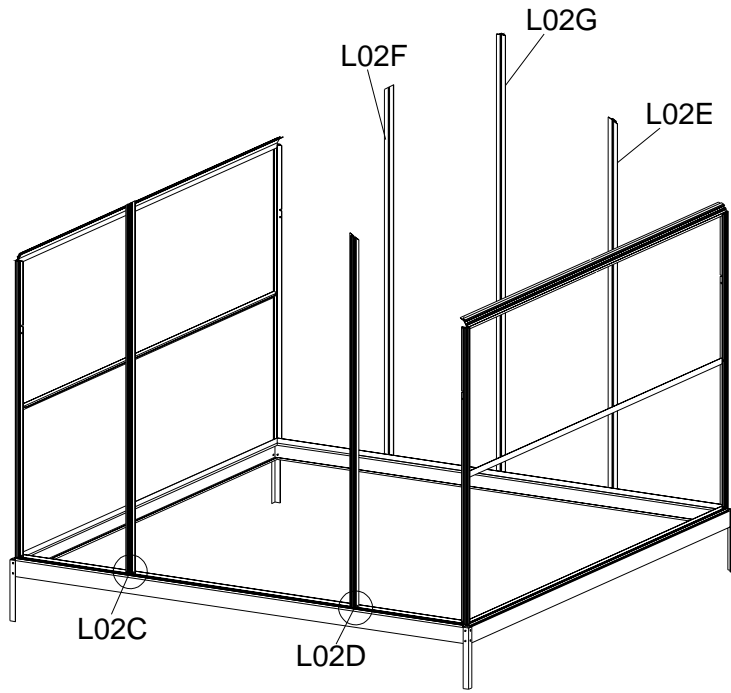


PART	NO	QTY
	L07C	2
	L23C	2
	S01 M6X12	8
	M01 M6	8

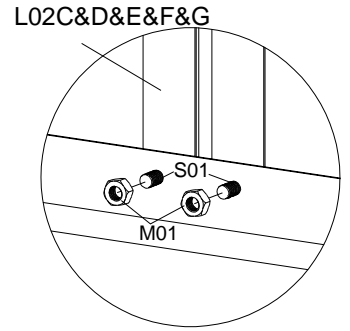
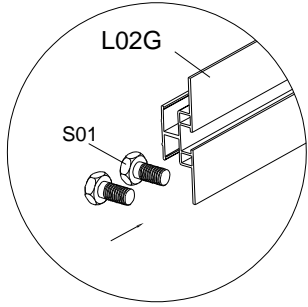
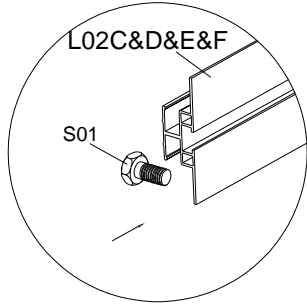
1. Fix 2 x L07C eaves to L01A & L01B, using S01 & M01.
2. Fix 2 x L23C to L01A & L01B, using S01 & M01.



PART	NO	QTY
	L02C	1
	L02D	1
	L02E	1
	L02F	1
	L02G	1
	L23A	2
	L23D	1
	L05A	4
	S01 M6X12	20
	M01 M6	19

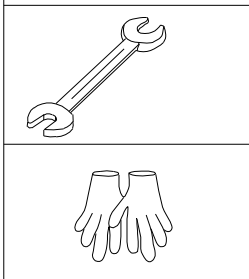
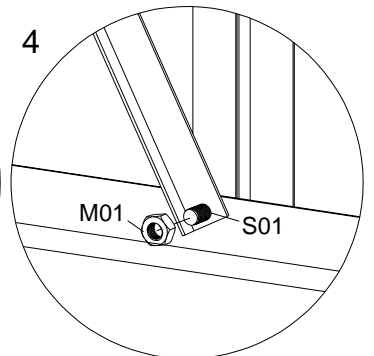
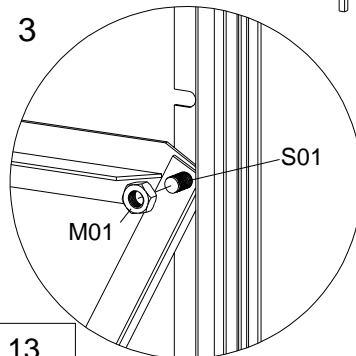
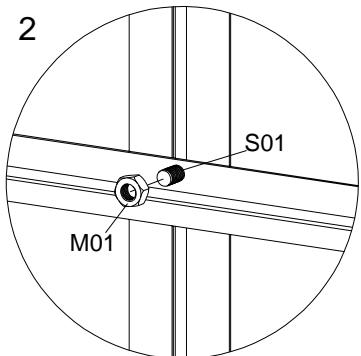
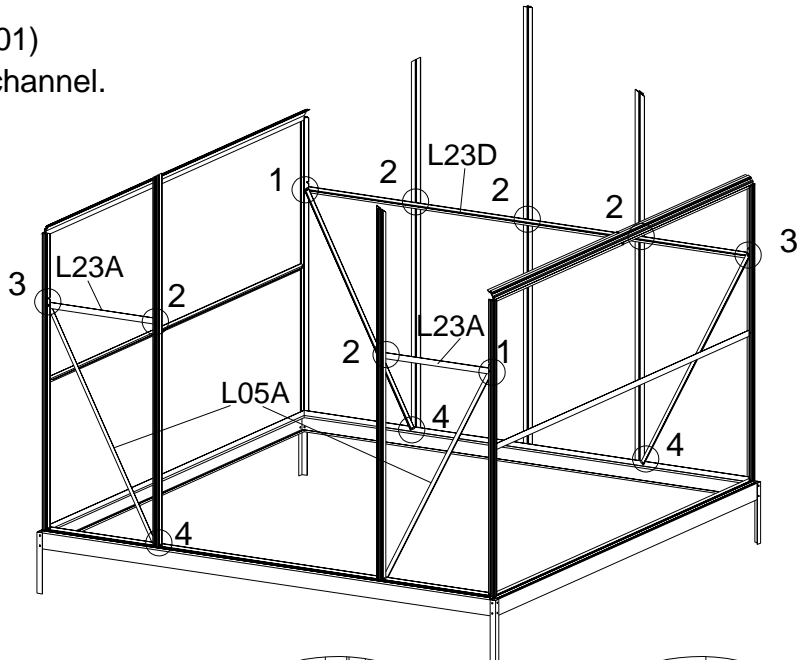
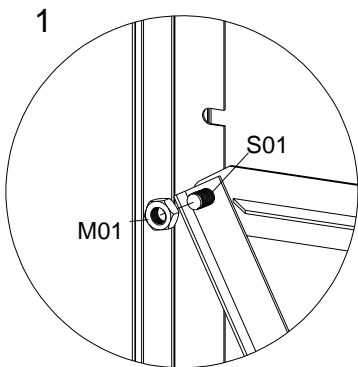



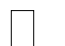


Fix L02C & L02D to cill L10;
L02E, L02F & L02G to cill L08D,
using S01 & M01.

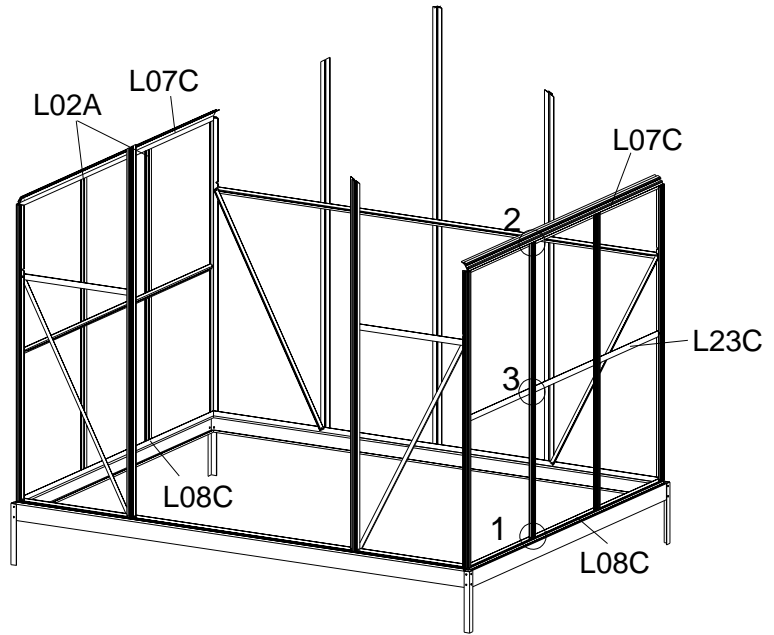


Slide 2 bolts (S01)
into L02G bolt channel.

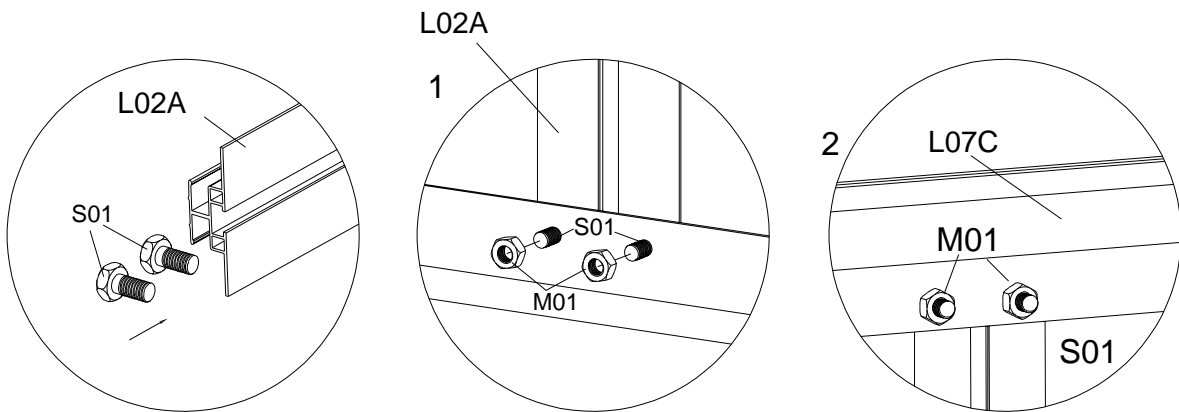
Fix bracings 4 x L05A, 2 x L23A and
1 x L23D as below using S01 & M01.



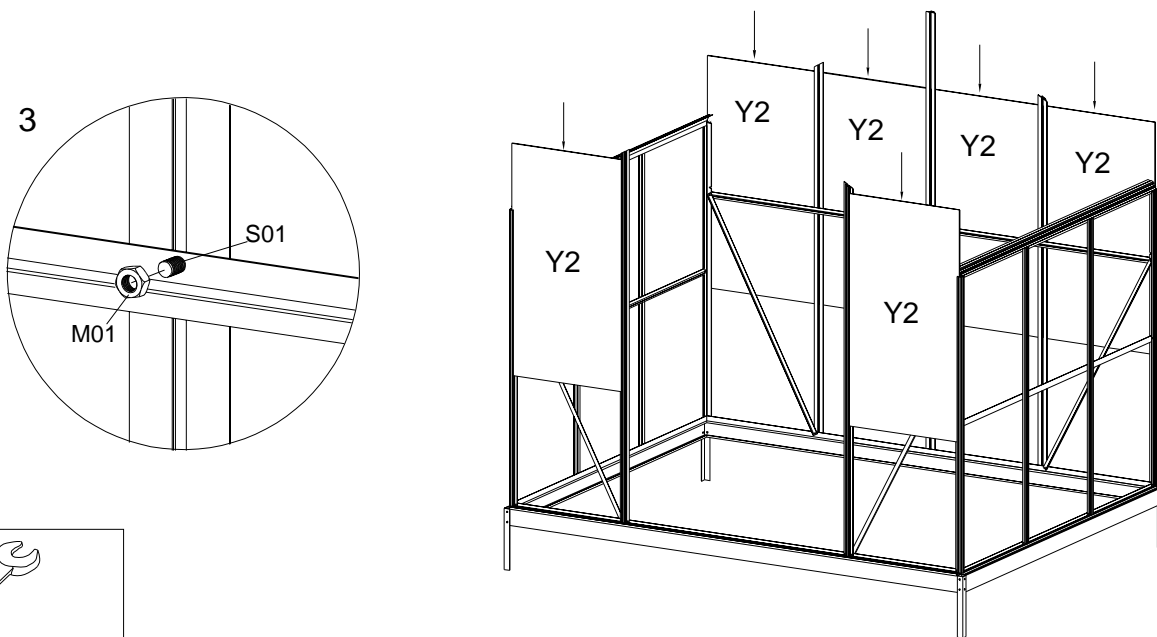
PART	NO	QTY
	L02A	4
	Y2	6
	S01 M6X12	24
	M01 M6	20



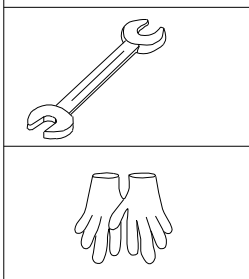
Fix L02A (4pcs) to L08C and L07C using S01 & M01.



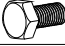



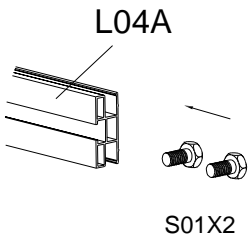
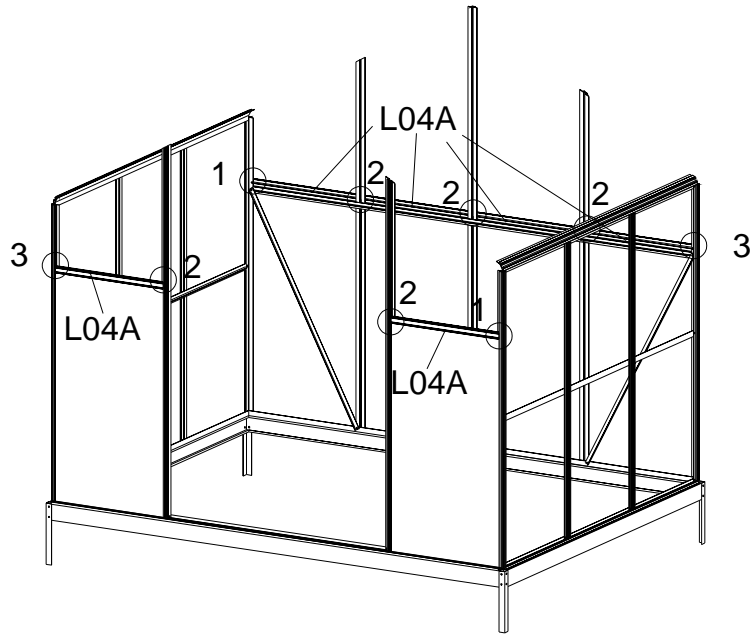
Slide 2 bolts (S01) into each L02A bolt channel. One is to fix L23C, the other is to be used later for fixing L05B



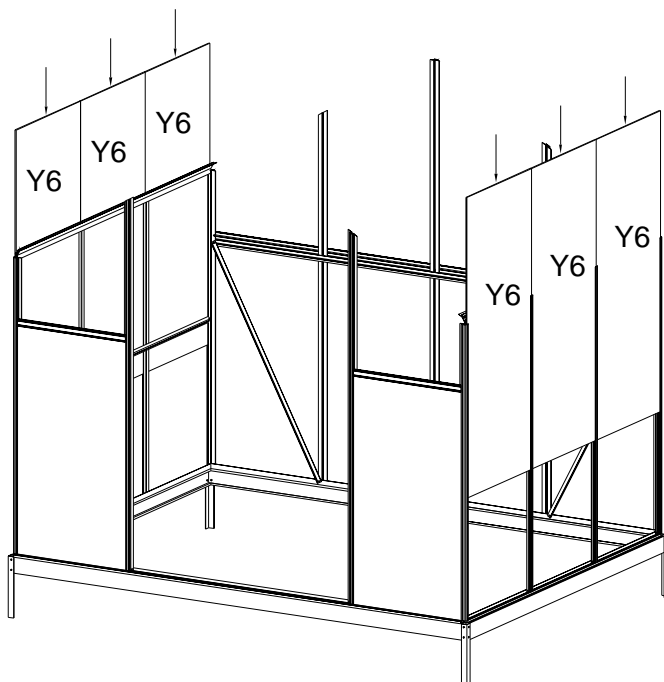
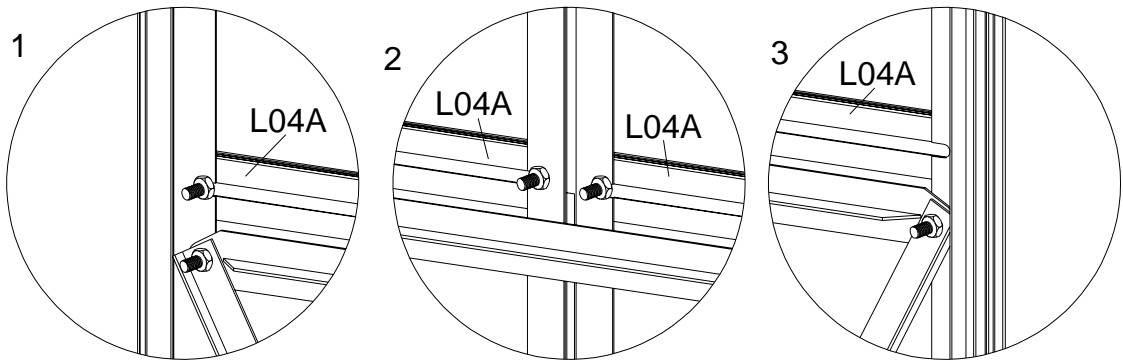
Slide the glazing panel Y2 into positions



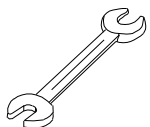
PART	NO	QTY
	L04A	6
	Y6	6
	S01 M6X12	12
	M01 M6	12



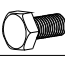

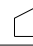

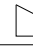
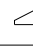

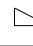


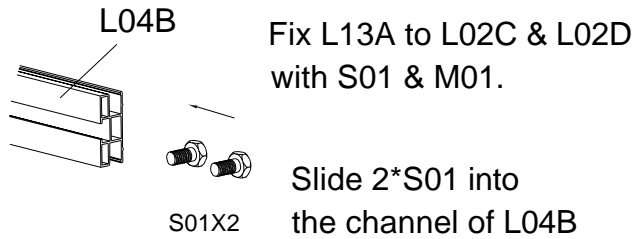
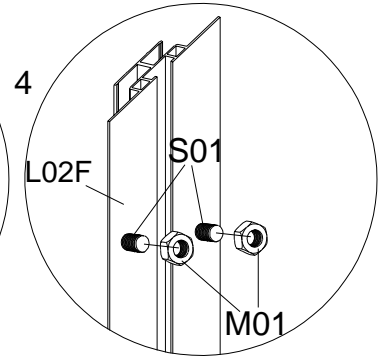
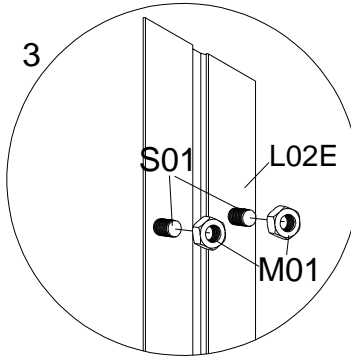
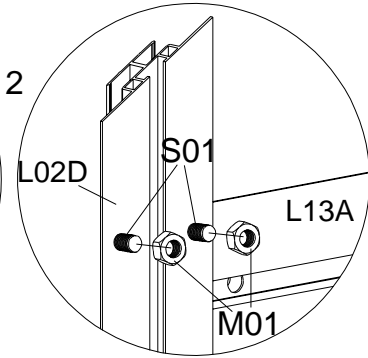
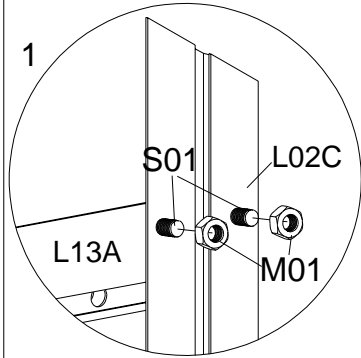
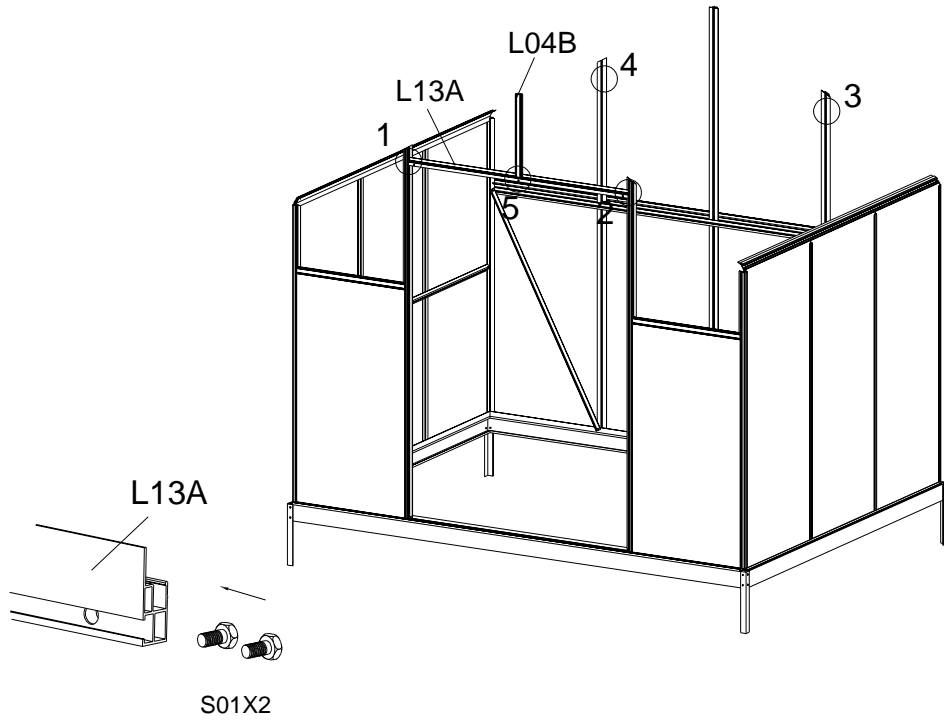
Fix bracings L04A (6pcs) as above, using S01 & M01.



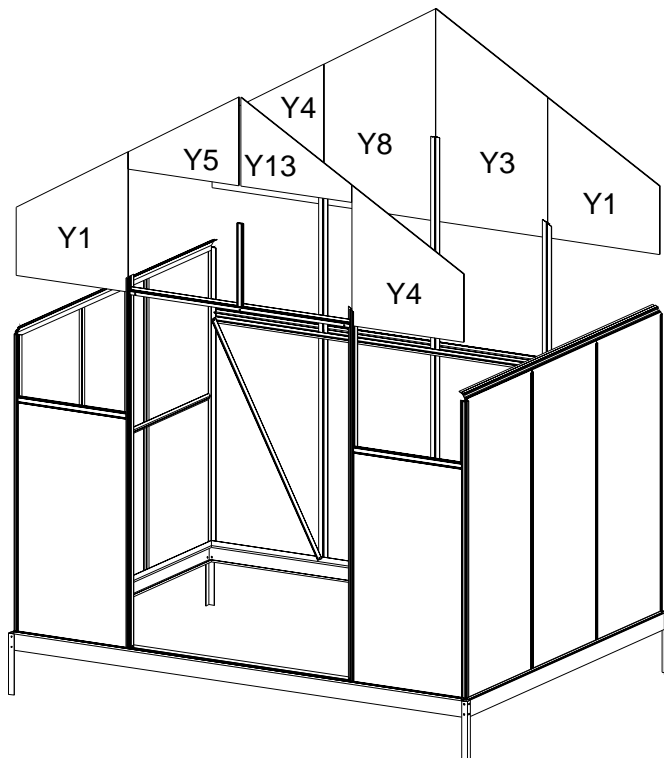
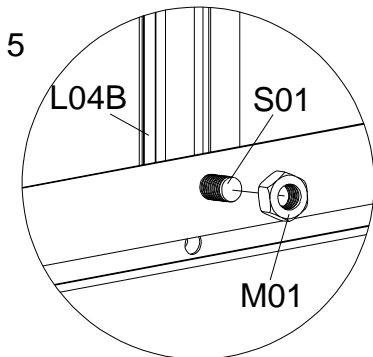
Slide the glazing panel Y6 into positions



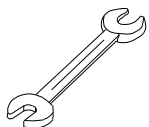
PART	NO	QTY
	L04B	1
	L13A	1
	S01 M6X12	10
	M01 M6	9
	Y1	2
	Y3	1
	Y4	2
	Y5	1
	Y8	1
	Y13	1



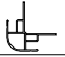
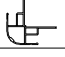

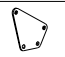
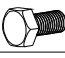

Preload the bolts S01 & M01 to L02E & L02F before sliding the panels into positions.

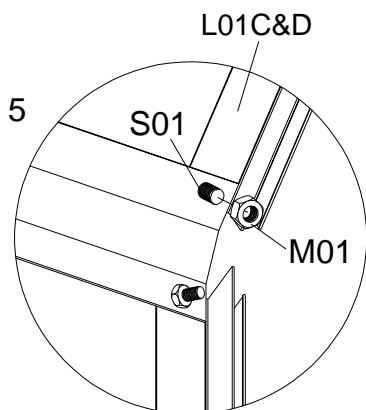
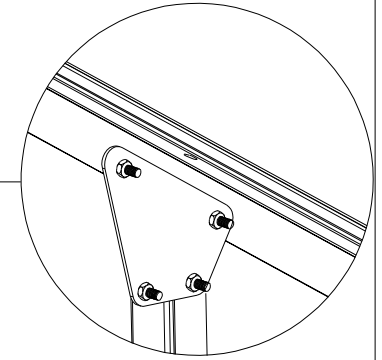
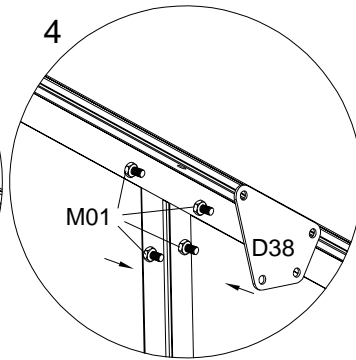
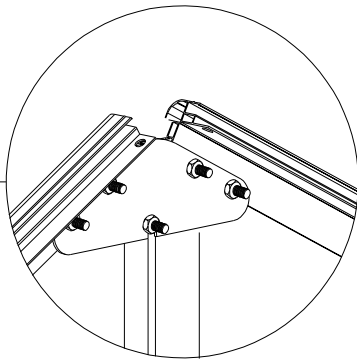
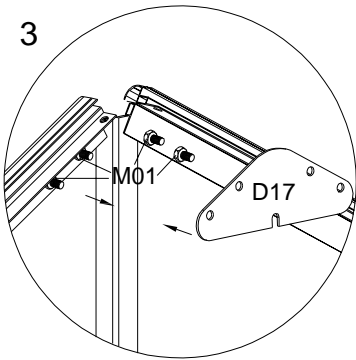
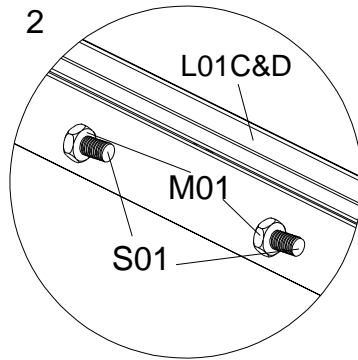
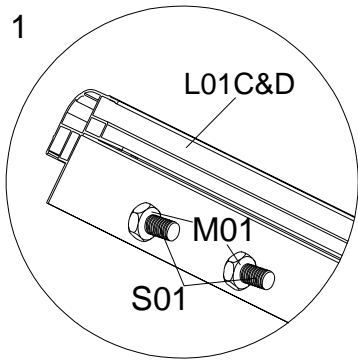
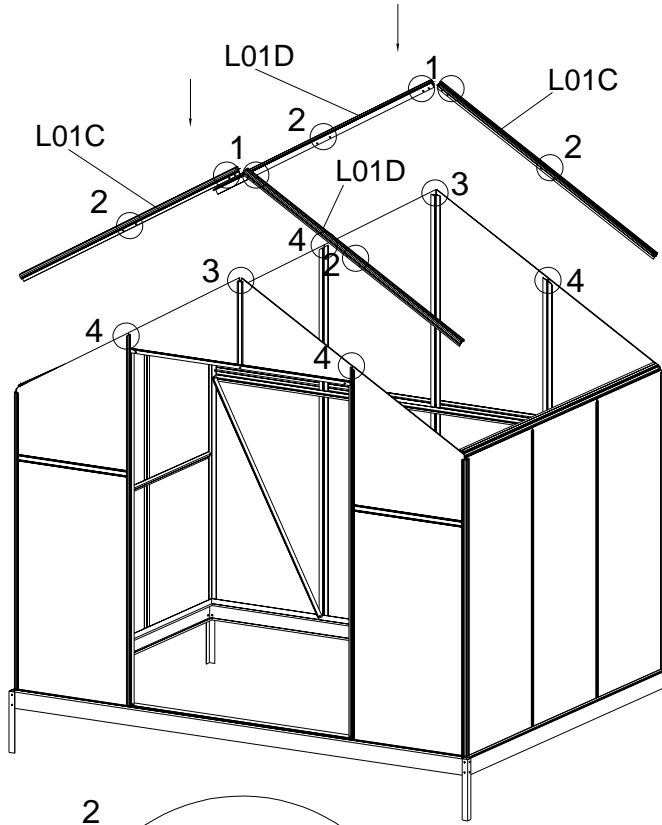


Fix L04B to L13A, using S01 & M01

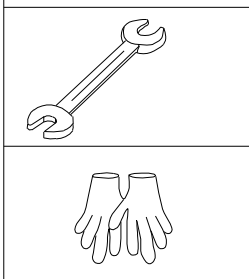



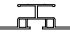


Slide the glazing panels Y1, Y3, Y4 Y5, Y8 and Y13 into positions.

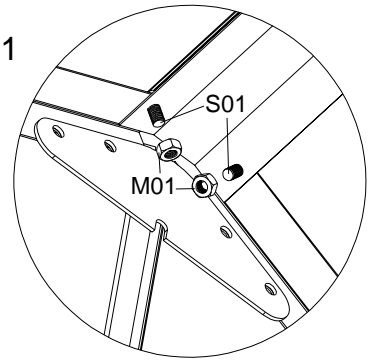
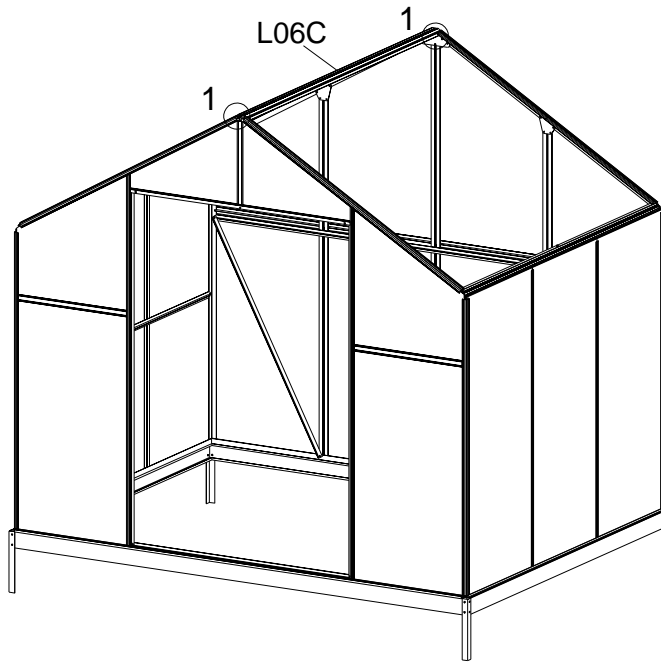
PART	NO	QTY
	L01C	2
	L01D	2
	D17	2
	D38	4
	S01 M6X12	20
	M01 M6	22



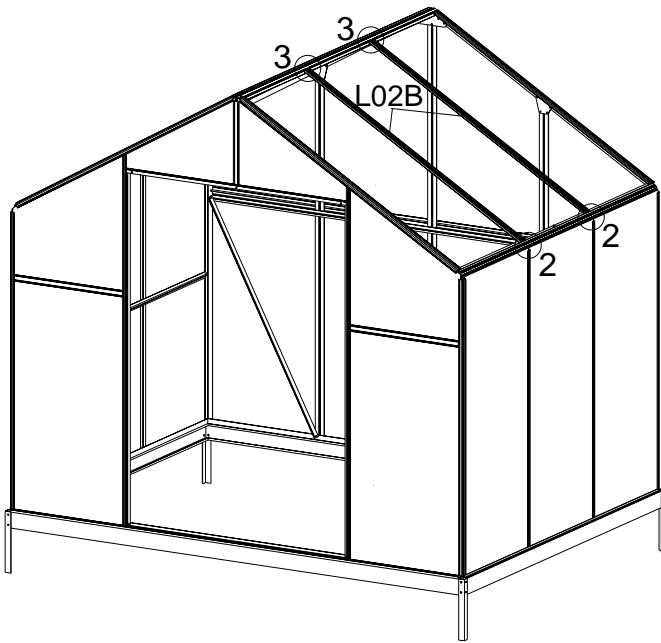
1. Preload S01 & M01 on L01C and L01D before fixing them to L01A/L01B. See figure 1 & 2.
2. Bolt L01C and L01D with plate D17, using S01 & M01 preloaded. And then fix them to L04B and L02G, using S01 & M01.
3. Fix L01C & L01D to L02C & L02D/L02E & L02F with the plate D38, using the S01 and M01 preloaded above.
4. Fix L01C & L01D to L01A & L01B, using S01 & M01.



PART	NO	QTY
	L06C	1
	L02B	4
	S01 M6X12	32
	M01 M6	20

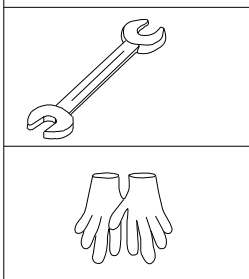
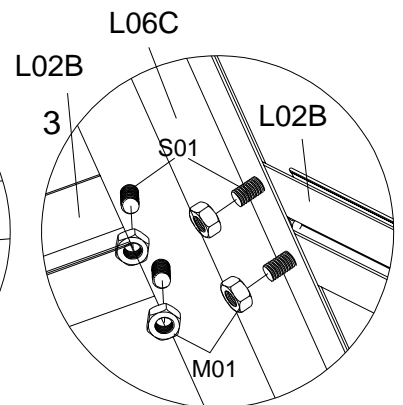
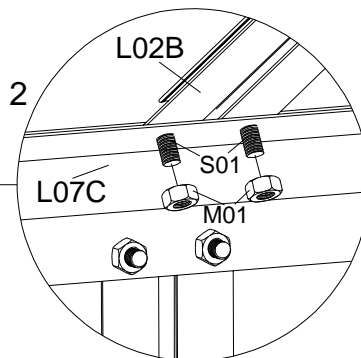
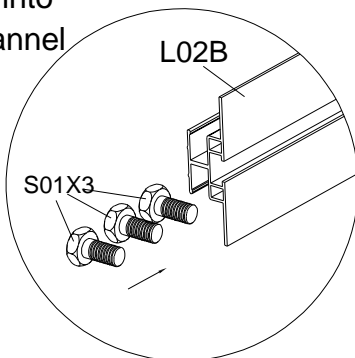




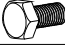

Bolt the ridge L06C to L01C & L01D, using S01 & M01.



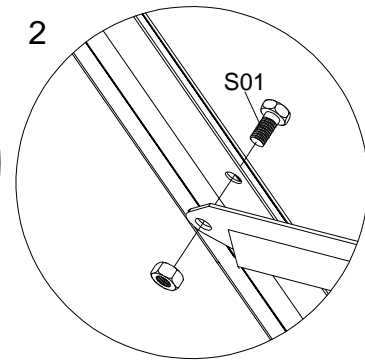
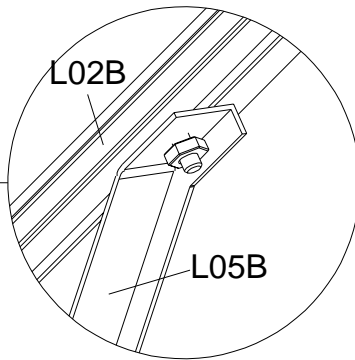
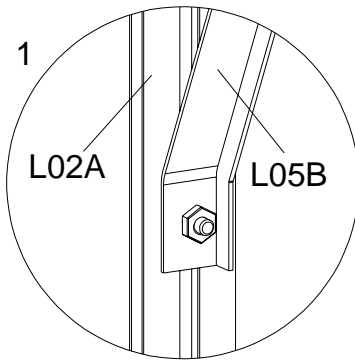
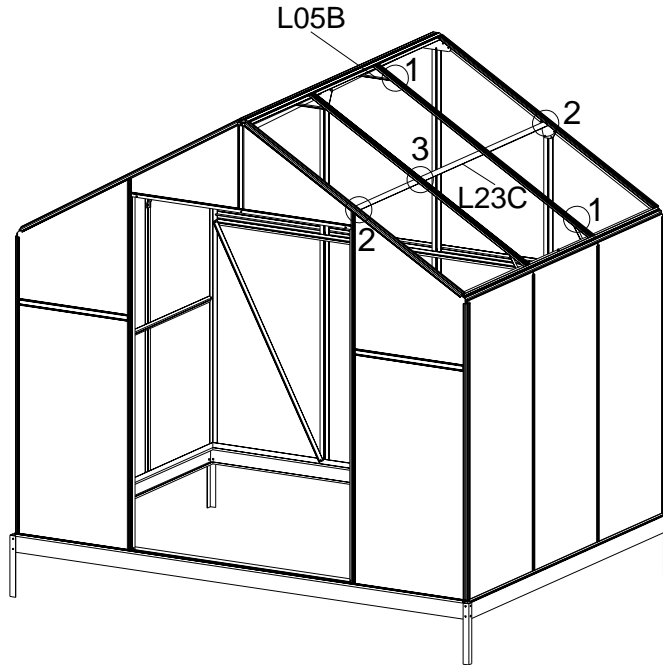
Fix glazing bars L02B (4pcs) to the eaves and the ridge profiles with S01 & M01

Slide 3 bolts (S01) into each L02B bolt channel to be used later.

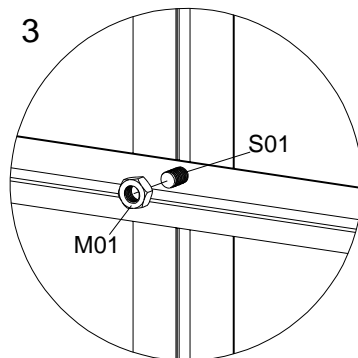


PART	NO	QTY
	L23C	2
	L05B	6
	S01 M6X12	4
	M01 M6	20

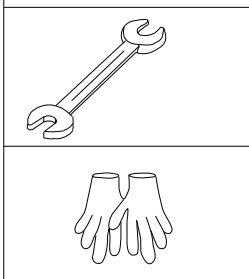
Bolt L05B (6 pcs) to L02A & L02B using the S01 bolt placed in the bolt channel earlier.





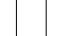




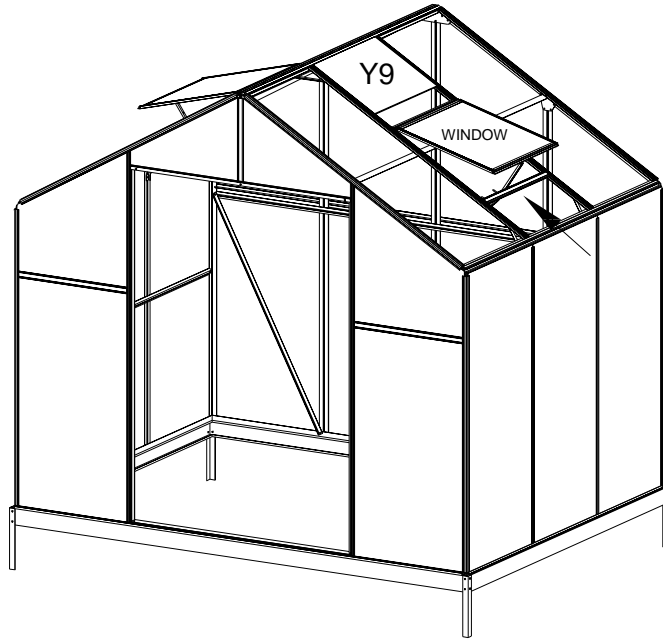
Bolt L23C to L01C & L01D with S01 & M01.



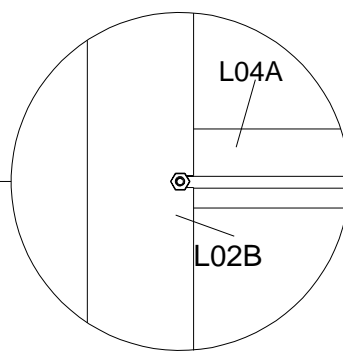
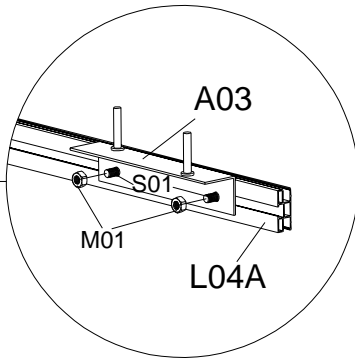
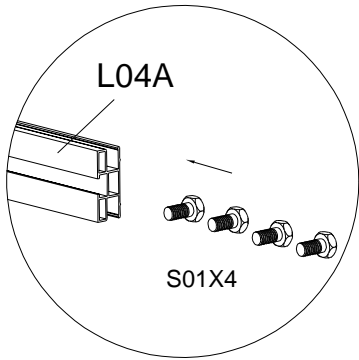
Bolt L23C (2 pcs) to L02B using the S01 bolt placed in the bolt channel earlier.



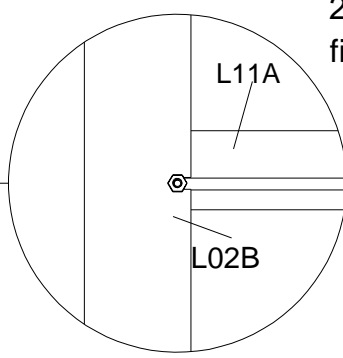
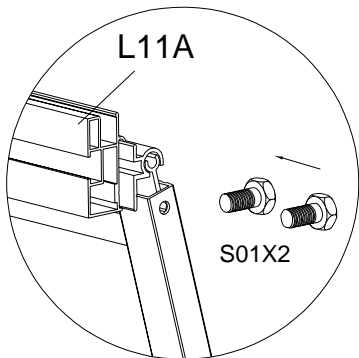
PART	NO	QTY
	L04A	2
	A03	2
	WINDOW	2
	Y7	4
	Y9	4
	S01 M6X12	12
	M01 M6	12



Firstly, slide the glazing panel Y9 into the channel of L02B

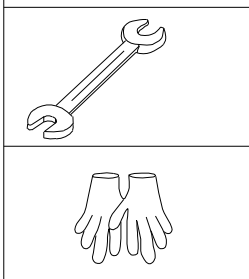
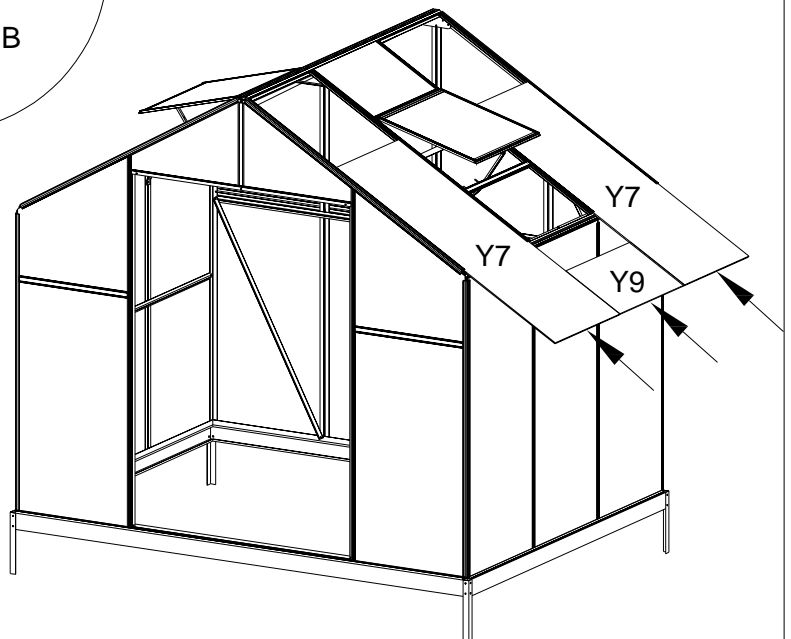



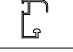
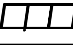
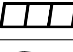



Slide 4 bolts (S01) into each L04A bolt channel. 2 to be fixed with A03, and another 2 to be fixed with L02B.



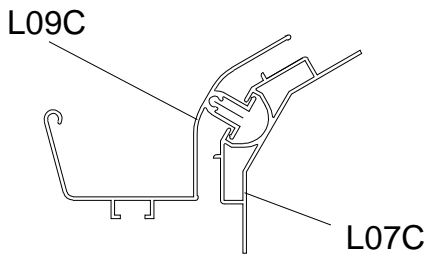
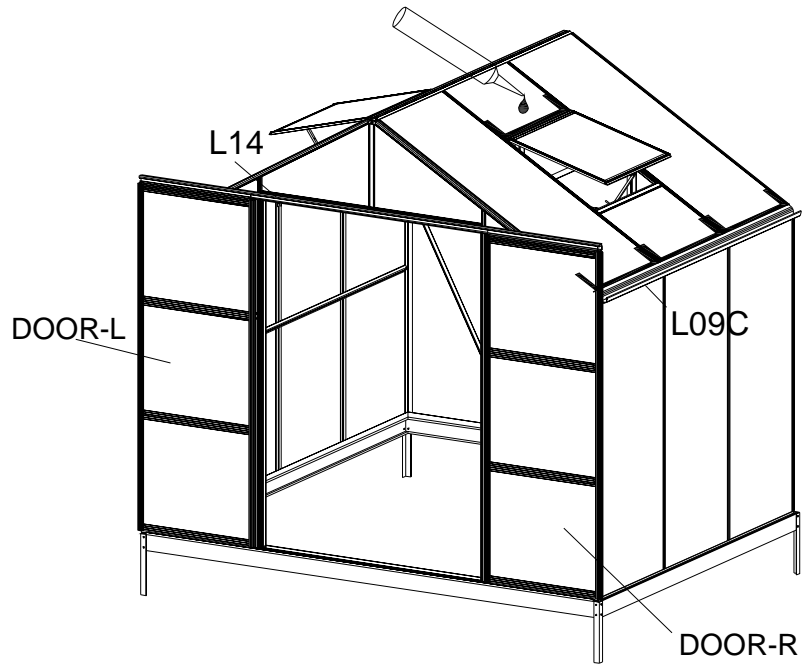
Slide 2 bolts (S01) into each L11A, and bolt it to L02B, using the S01 & M01.

Slide the glazing panels into positions

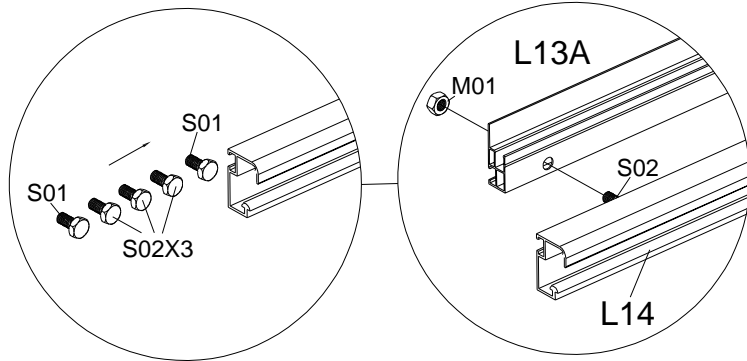


PART	NO	QTY
	L09C	2
	L14	1
	D00R-R	1
	D00R-L	1
	S01 M6X12	2
	S02 M6X20	3
	M01 M6	3

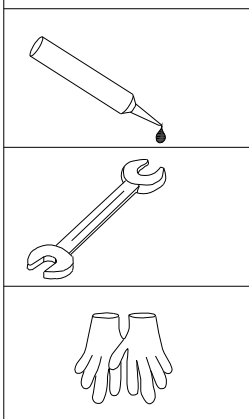
After the panels and windows are in position,
put some silicone sealant around to avoid leaking water.










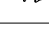

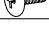




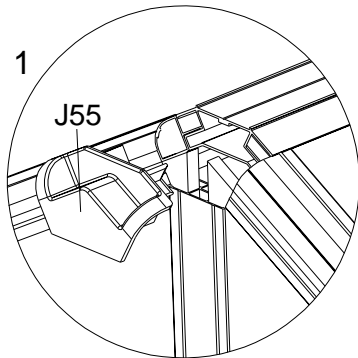
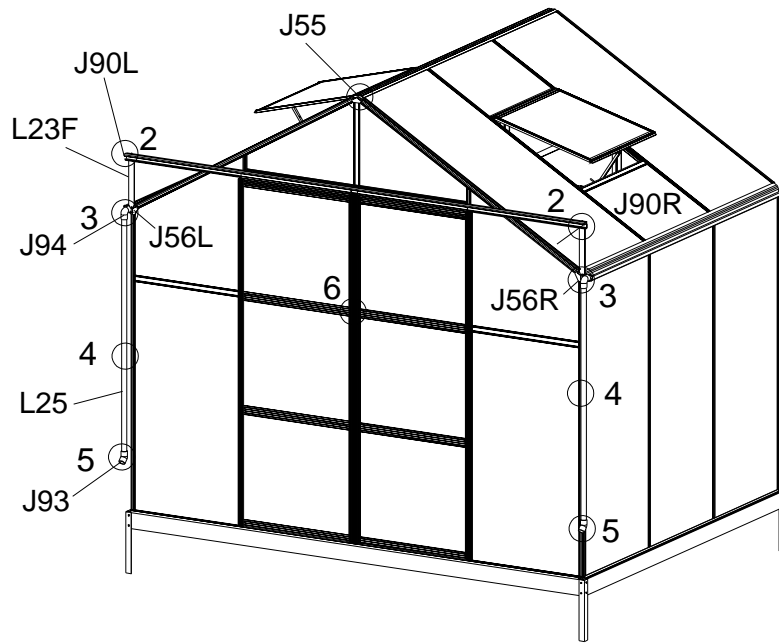
When the panels are completely inserted, fix gutter profile L09C. Tap it gently into position with a rubber mallet.



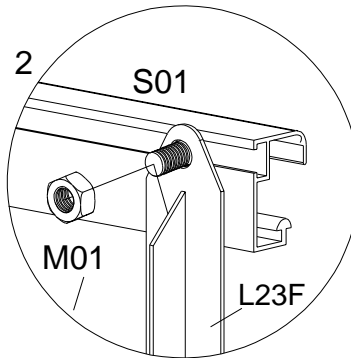
Slide 5 bolts (2*S01 and 3*S02) into L14 bolt channel. Bolt L14 to L13A with S02 & M01.



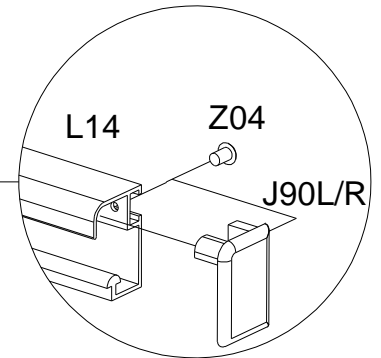
PART	NO	QTY
	L23F	2
	J55	2
	J56R	2
	J56L	2
	J90R	1
	J90L	1
	J94	4
	L25	4
	J93	4
	J92	4
	Z08 M4.2X16	4
	Z02 Ø4X16D	8
	Z04 Ø4X8	2
	M01 M6	2



1 Fix the cover caps J55 into the ridge profile

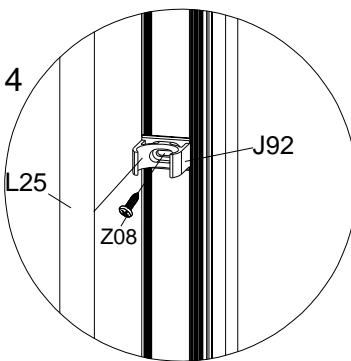
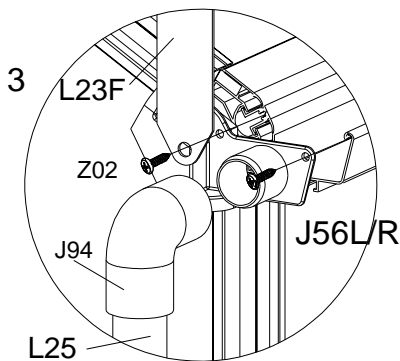


2 Fix L23F (2pcs), one end to L14 and the other end to L09C through J56L/R, using the S01 preloaded and M01.

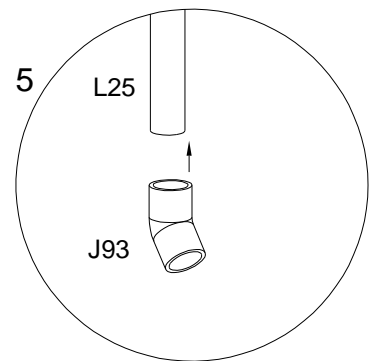


3 Fix the cover caps (J90L/R) carefully with Z04.

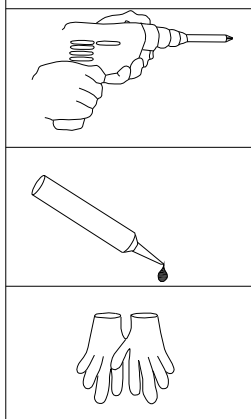
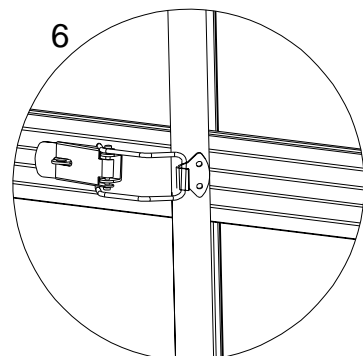
Fix the cover caps (J56L/R) carefully with Z02. Be careful to ensure that the screws are driven in straight and in the correct position (see detail drawings).



4 Drill a hole in L01A/L01B, approximately 3mm diameter and 700mm up from the bottom. Fix the J92 downpipebracket with Z08 screws and then clip the L25 downpipe into the J92 bracket.



5 If you wish to eliminate leaks use glue when fixing the downpipebends (not provided).



Contact information

Austria



Belgium



Croatia



Denmark



Estonia



Finland



France



Germany



Ireland



Italy



Latvia



Lithuania



Nederland



Norway



Poland



Portugal



Spain



Sweden



Switzerland



UK

