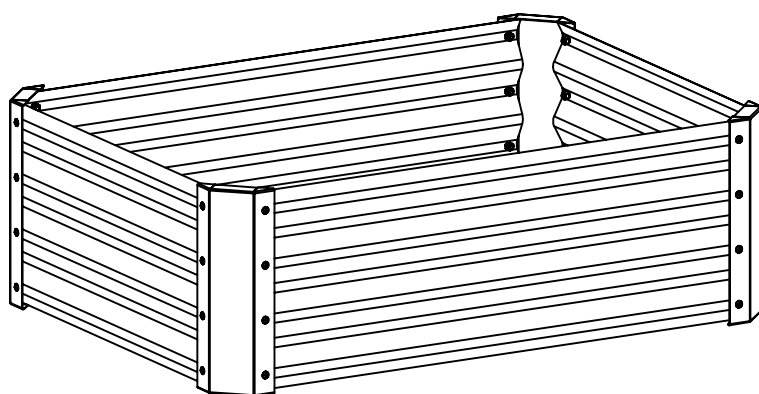


DANCOVER[®]

.com


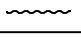
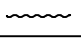


Manual
for
Raised Garden Bed
0,6x0,9x0,29m

Assembly Instructions

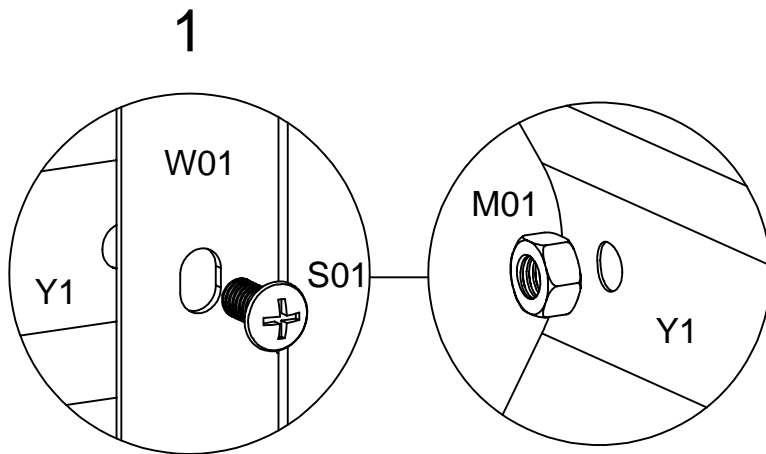
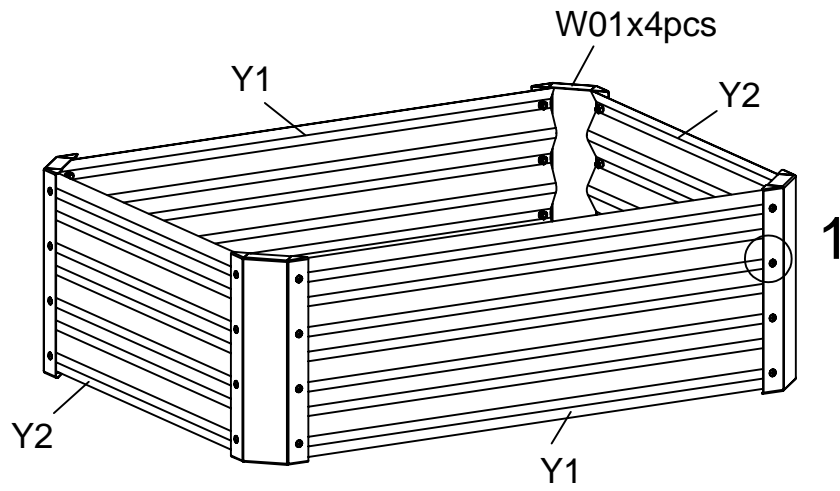


PRODUCT SIZE(LxWxH):60x90x29cm

PLEASE READ CAREFULLY BEFORE ASSEMBLY

PART	NO	QTY
	W01	4
 800mm	Y1	2
 500mm	Y2	2
	S02 M6X12	32
	M01 M6	32

Install all the plates as shown and secure with the nuts and bolts provided.



Contact information

Head office:

Dancover A/S
Lyngevej 16A, Nørre Herlev
3400 Hillerød
Denmark

For more information
please visit:

www.dancovershop.com

National contact

Denmark:

denmark@dancover.com

UK:

uk@dancover.com

Germany:

germany@dancover.com

France:

france@dancover.com

Sweden:

sverige@dancover.com

Finland:

suomi@dancover.com

Poland:

polska@dancover.com

Luxembourg:

luxembourg@dancover.com

Portugal:

portugal@dancover.com

Spain:

espana@dancover.com

Italy:

italia@dancover.com

Switzerland:

schweiz@dancover.com

Austria:

austria@dancover.com

Norway:

norge@dancover.com

Nederland:

nederland@dancover.com

Ireland:

ireland@dancover.com

Belgium:

belgique@dancover.com