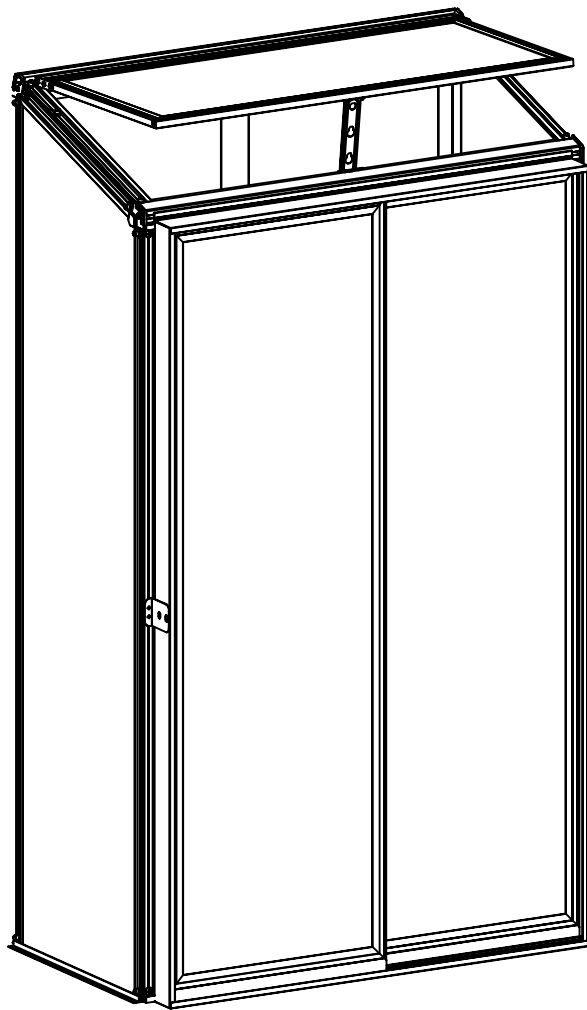


DANCOVER[®]

.com

Manual
for
Greenhouse Nursery
0,51x0,91x1,68m

Assembly Instructions



PRODUCT SIZE(LxWxH): 51X91X168CM

PLEASE READ CAREFULLY BEFORE ASSEMBLY

	PART	NO	QTY
1		L01A	2
2		L01B	1
		L01C	1
3		L01D	1
		L01E	1
4		L02A	1
		L02B	1
5		L06	1
		L07	1
6		L08A	2
		L08B	1
7		L10A	1
		L14A	1
8		L13	2

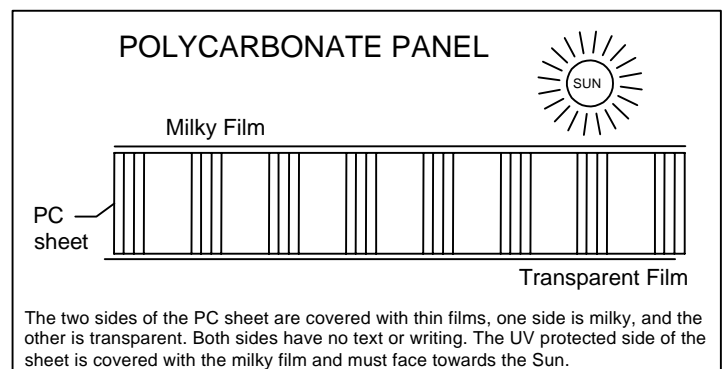
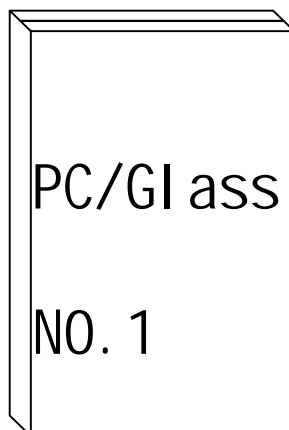
	PART	NO	QTY
9		L15	2
10		L18A	4
11		L18B	2
		L19A	2
12		L19B	1
		L20	1
13		L21A	9
14		L22A	6
15		L23A	1
		L31	1

	PART	NO	QTY
		A68	1
		D99	2
		D101	2
		D108	2
		D109	1
		D117	2
		H78-1	4
		H78-2	4
		J121L	1
		J121R	1
		J119L	1
		J119R	1
		J120	1

	PART	NO	QTY
		S35	38
		M6X10	
		S36	4
		M4X6	
		S37	2
		M14	38
		M6	
		M15	2
		M6	
		M16	4
		M4	
		Z03	2
		Ø4X12	
		Z15	66
		Ø4X12D	
		Z19	4
		M4.2X10	

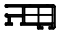
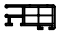
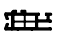










PART	NO	QTY
	Y1	1
	Y2	1
	Y4	2
	Y7	3
	Y10	1
	Y11	2



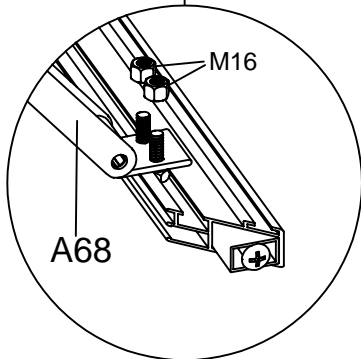
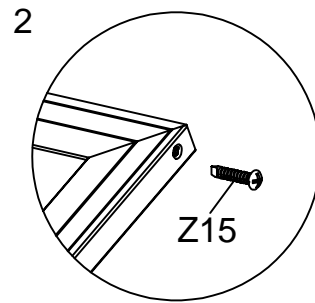
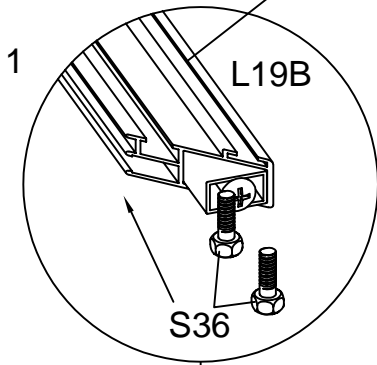
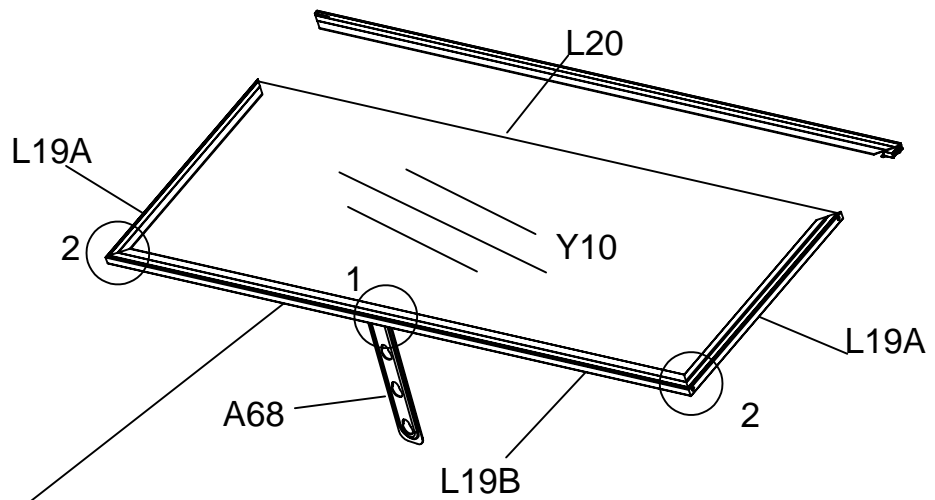
Note:

Each Polycarbonate Panel comes with UV protected properties. Please ensure the milky film faces out, towards the Sun. Remove the films from four edges when assembly, and remove them all after finishing assembly.

PART	NO	QTY
	L19A	2
	L19B	1
	L20	1
	L31	1
	L23A	1
	A68	1
	D108	2
	Y10	1
	Z15	8
	Ø4X12D	
	S36	2
	M4X6	
	M16	2
	M4	

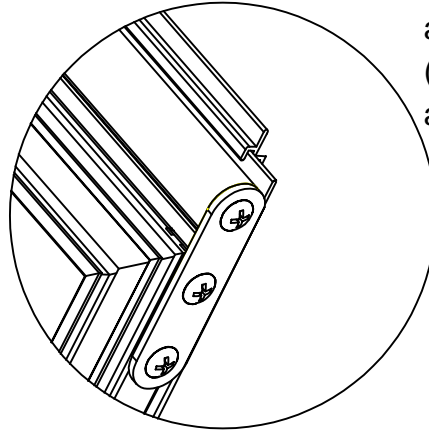
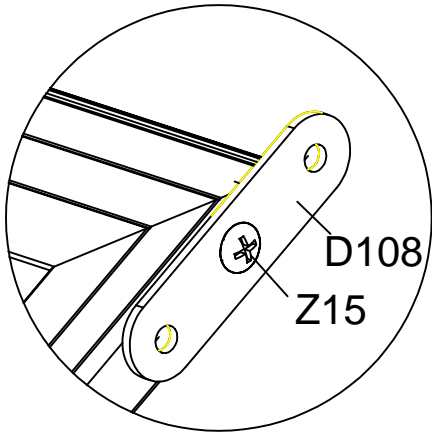
Roof Vent Assembly

Fix L19A to L19B using Z15,
then insert the panel Y10 into position.
Fix L20 to L19A/L19B, using Z15.

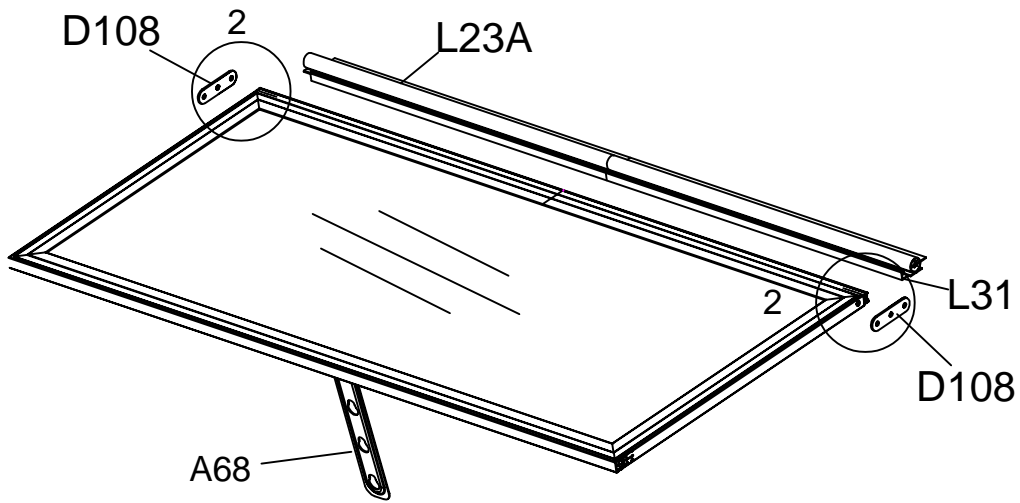
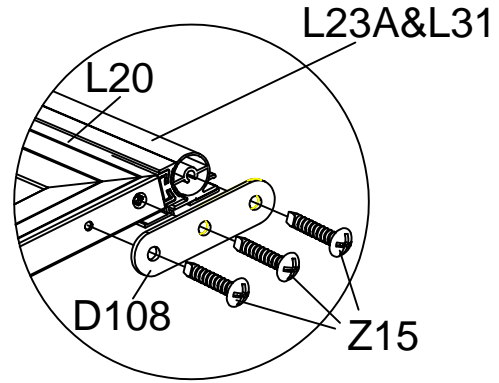
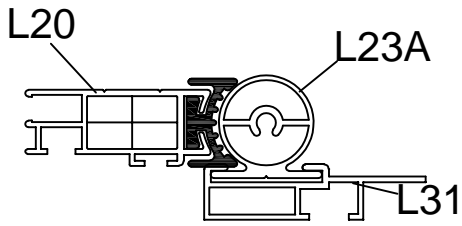


Slide 2*S36 into the channel of L19B
to fix A68, using M16.

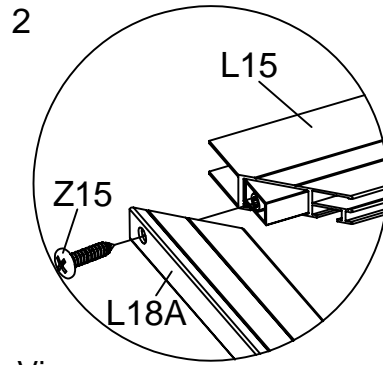
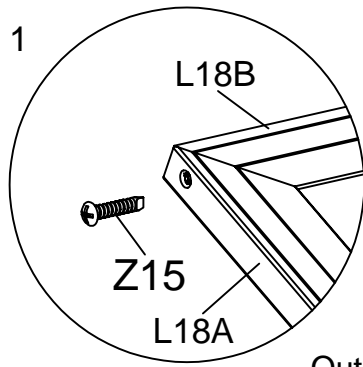
2



Fix L23A & L31 to the window as below, using D108 and Z15. (L23A & L31 are factory fitted as a part already)

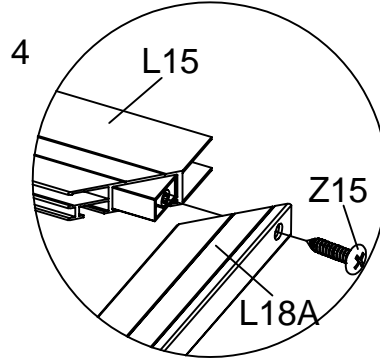
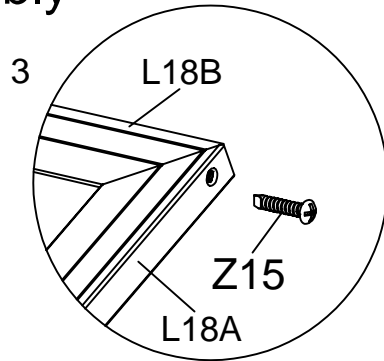


PART	NO	QTY
	L15	2
	L18A	4
	L18B	2
	Y11	2
	Z15	8
	Ø4X12D	

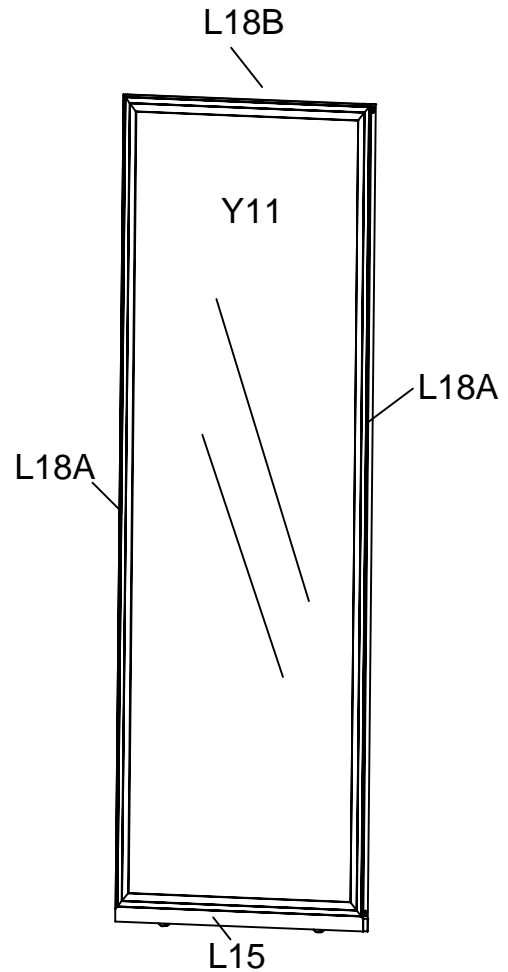
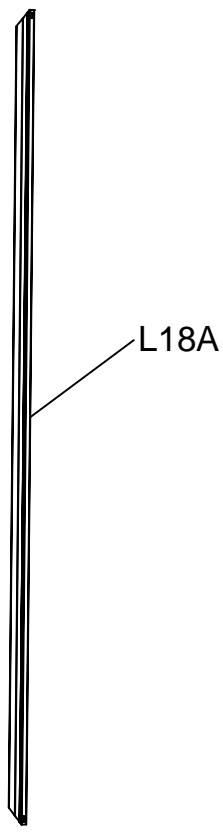
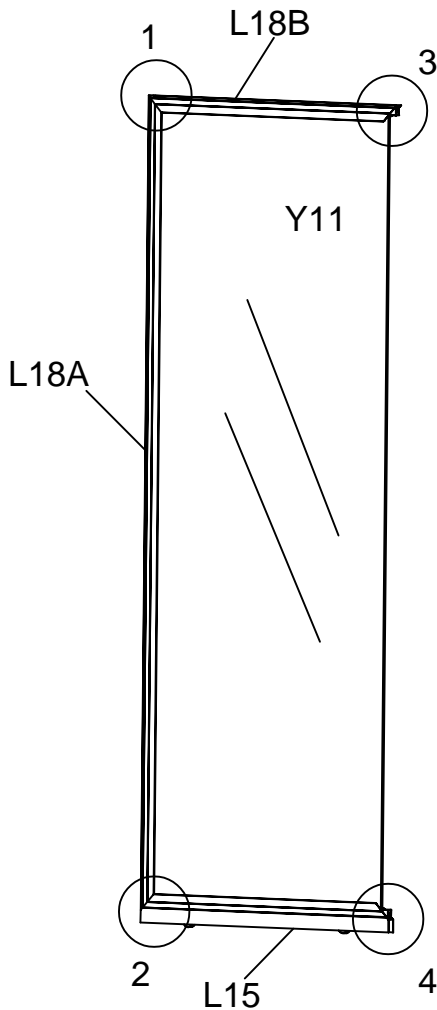


Outside View

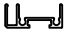


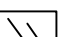
Door Assembly



Fix L18A to L15&L18B using Z15, then put the panel Y11 into position.

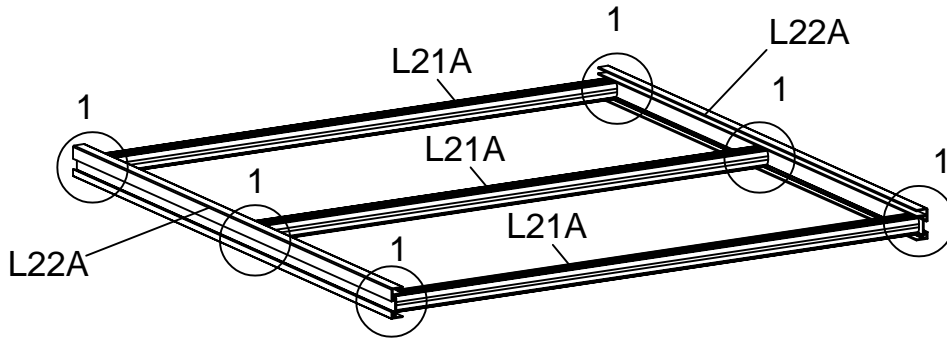


Fix another L18A to L15 & L18B, using Z15.

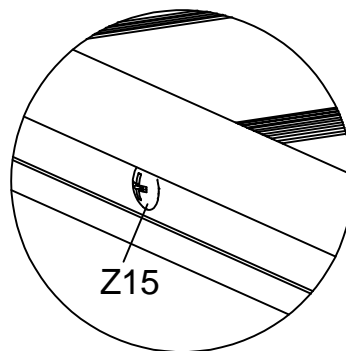
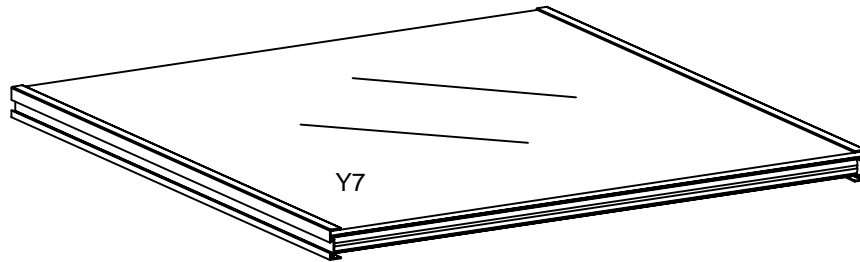
PART	NO	QTY
	L22A	6
	L21A	9
	Z15	18
	Ø4X12D	
	Y7	3

Shelves Assembly (3PCS)

Fix L21A (3PCS) to 2 * L22A as below, using Z15.



Insert panel Y7 into the channel of L22A.



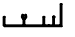
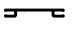
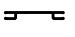
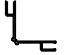
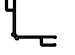
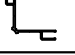




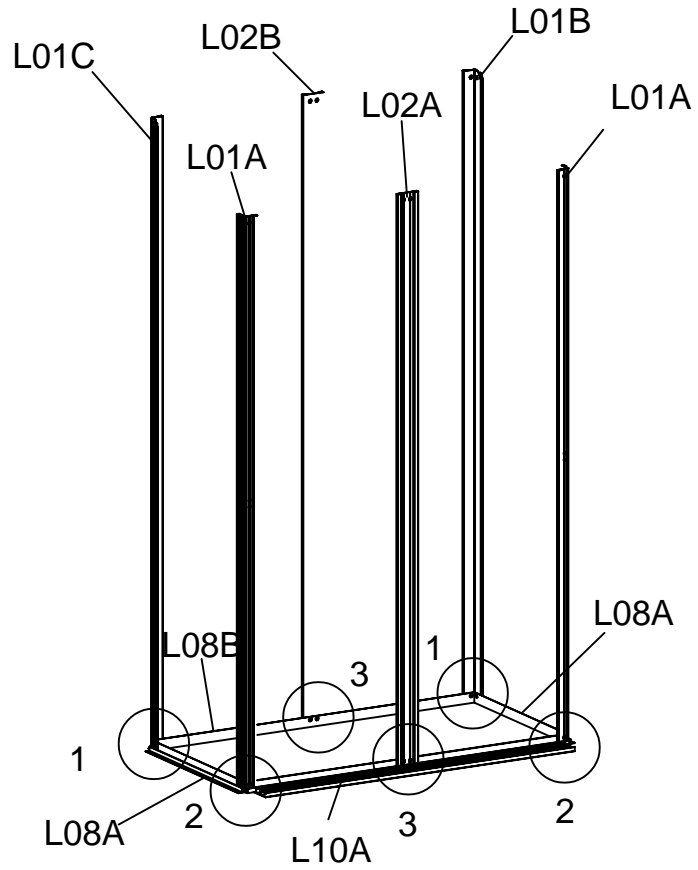
1

Attention:

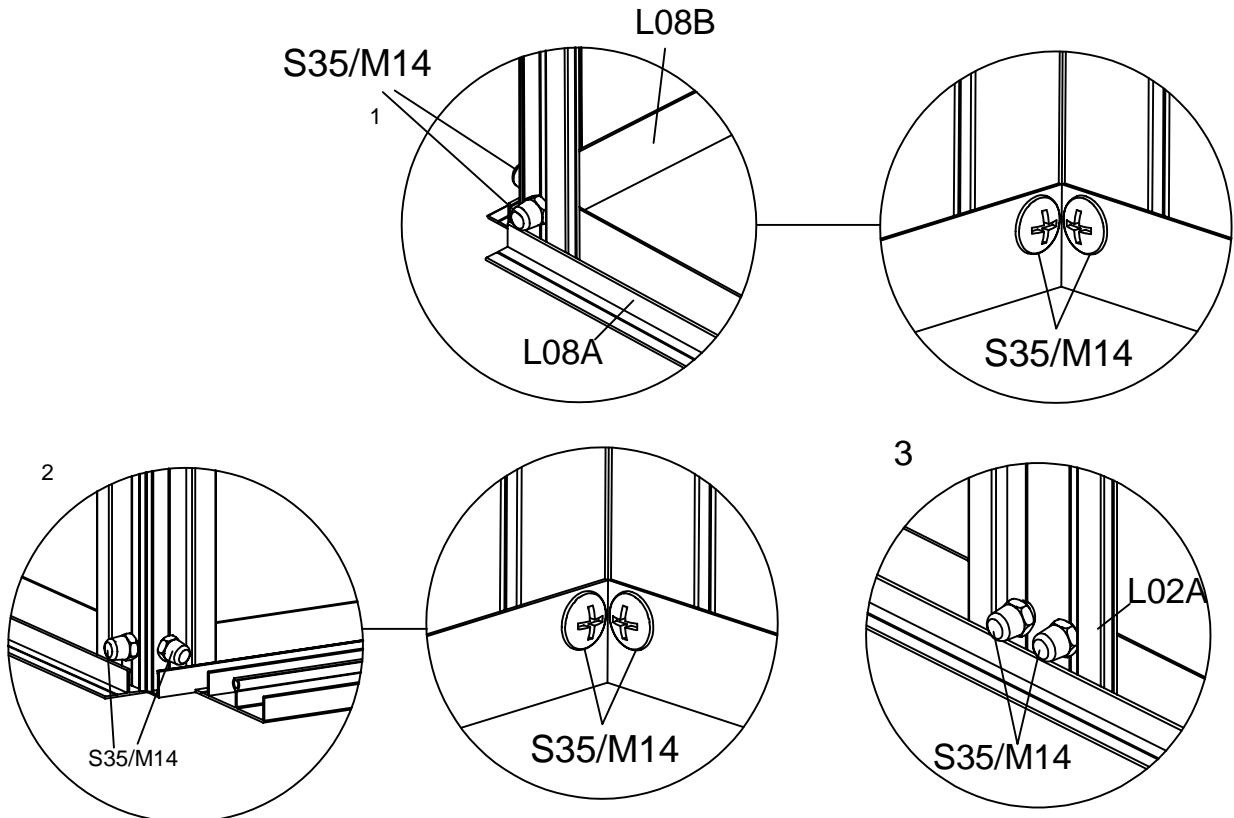
If glass is chosen, make sure the shelves should be put in a safe place to avoid damaging or falling off after assembly.




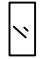
Main Frame Assembly

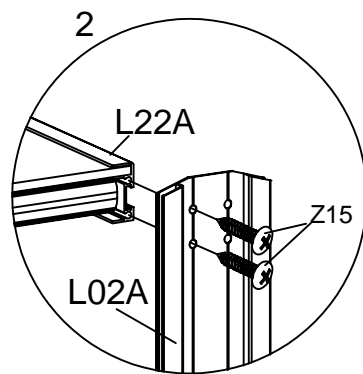
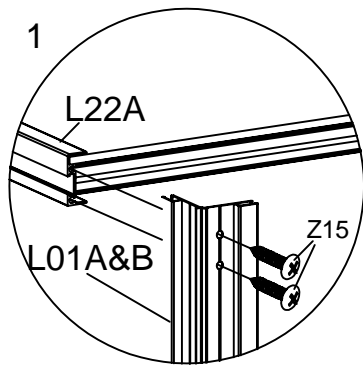
PART	NO	QTY
	L08A	2
	L08B	1
	L10A	1
	L02B	1
	L02A	1
	L01A	2
	L01B	1
	L01C	1
	S35 M6X10	12
	M14 M6	12



Fix the base and all the vertical elements using S35 & M14.

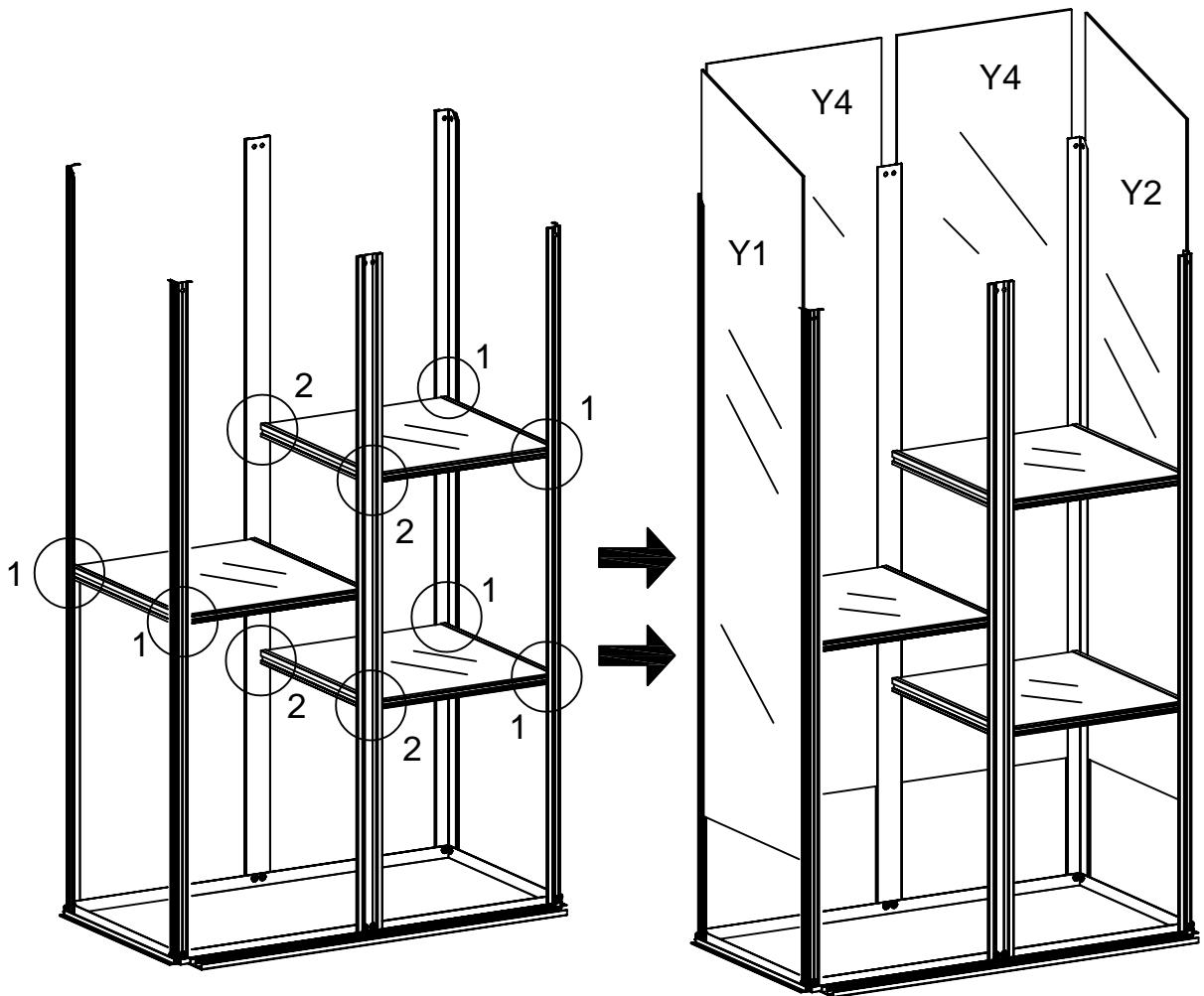




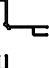

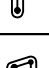


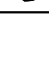


PART	NO	QTY
	Z15	24
	Ø4X12D	
	Y1	1
	Y2	1
	Y4	2

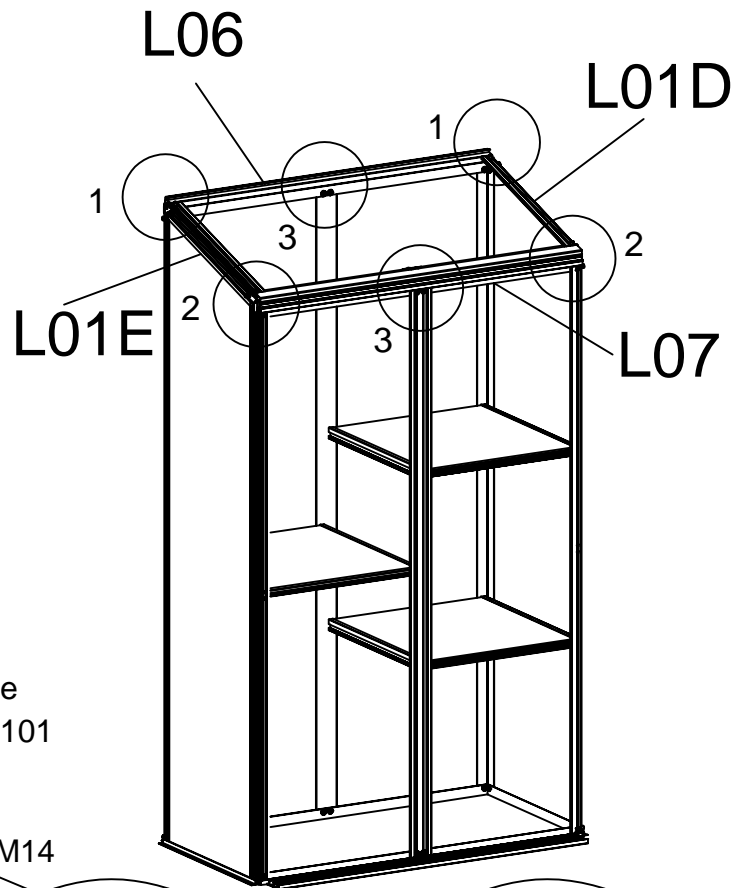


Fix the shelves to L01A/L01B/L01C and L02A/L02B, using Z15.

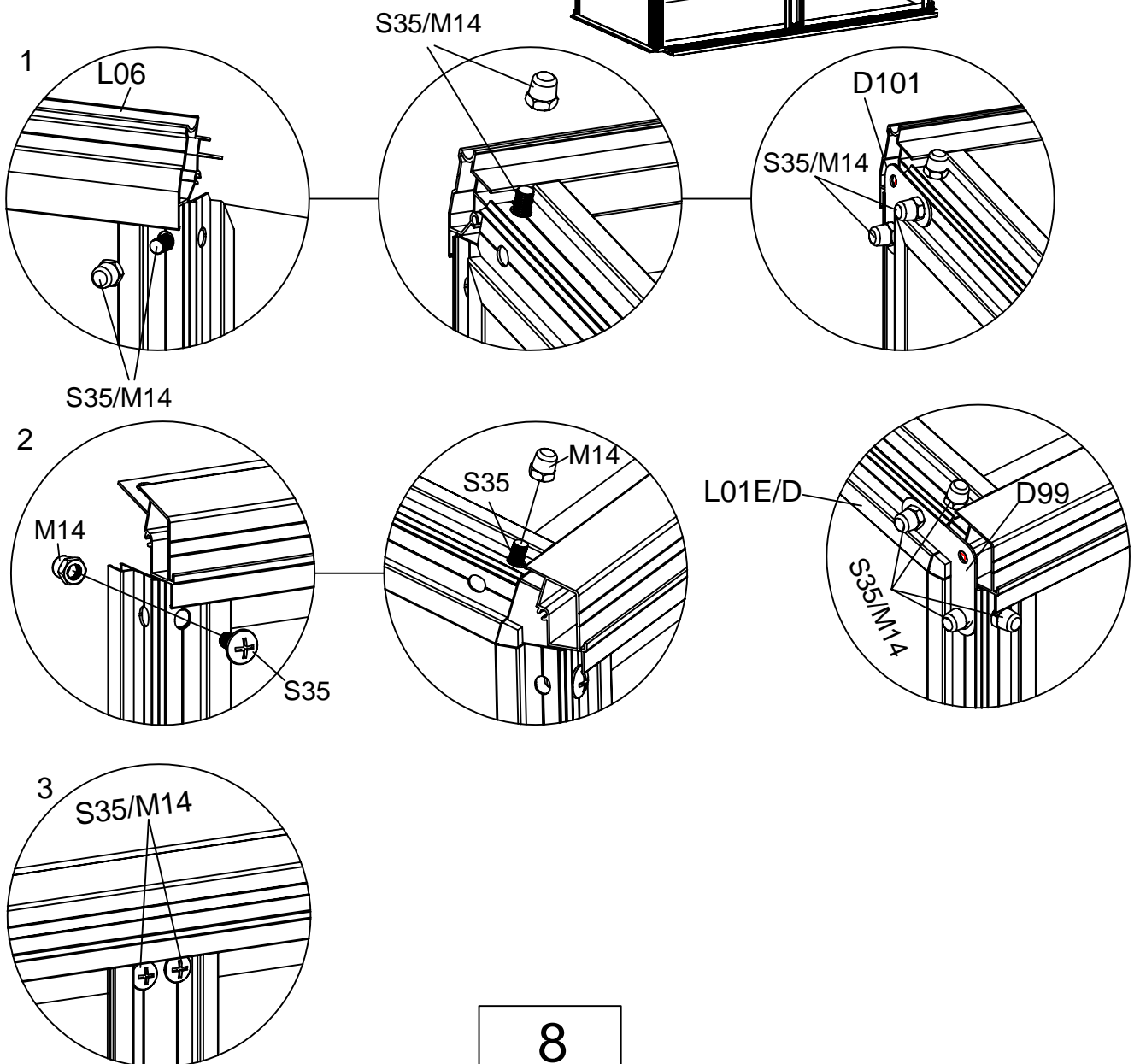
Put the panels into positions.


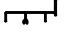







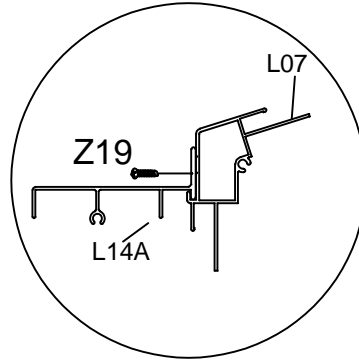
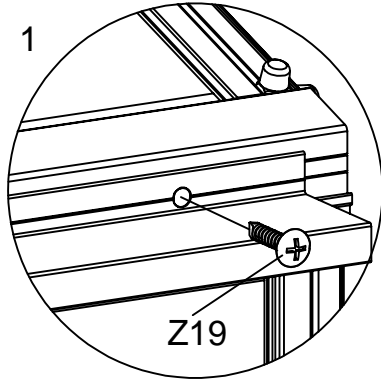
PART	NO	QTY
	L06	1
	L07	1
	L01D	1
	L01E	1
	D99	2
	D101	2
	S35	20
	M6X10	
	M14	
	M6	20



Fix L06, L07, L01D & L01E with the vertical frame using plate D99 & D101 and S35 & M14.

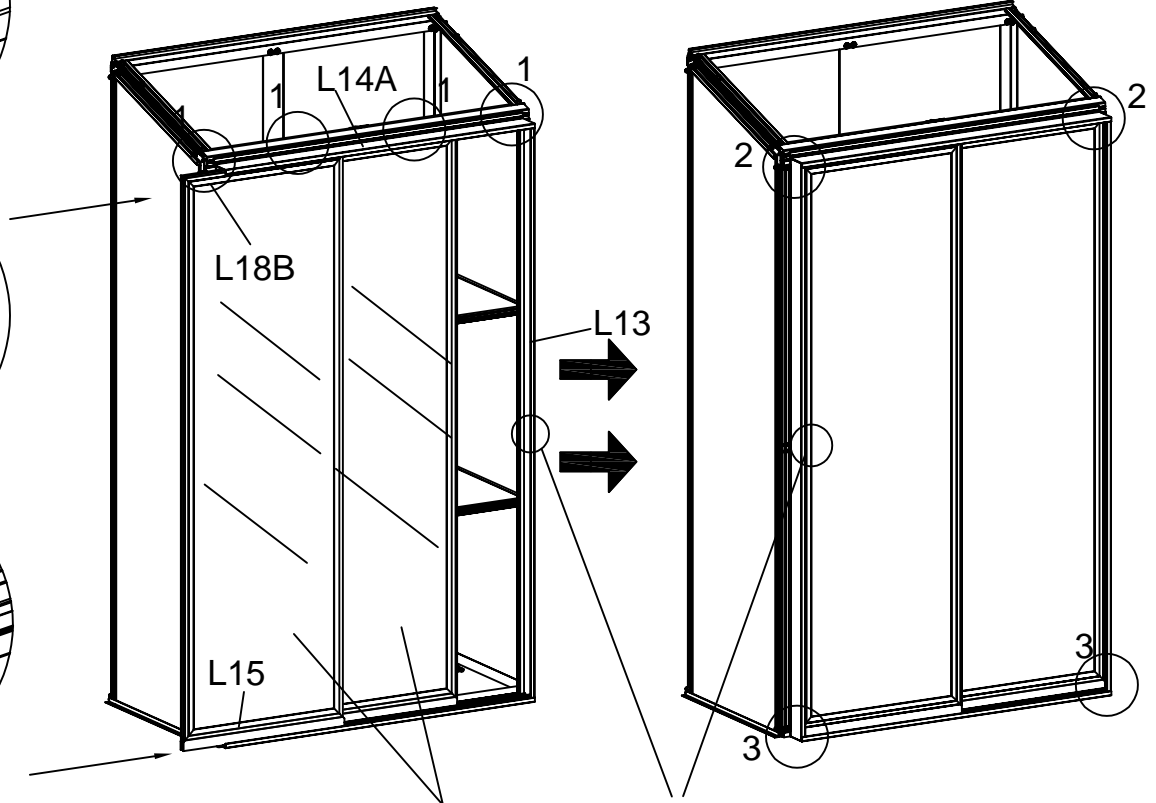
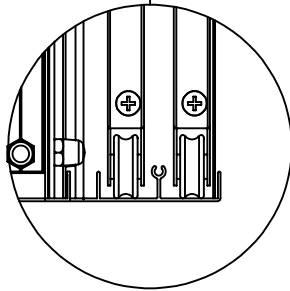
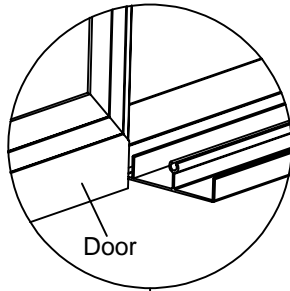
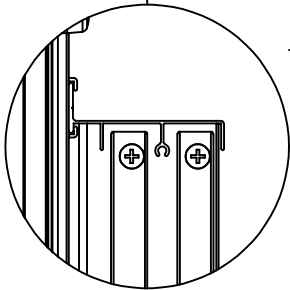
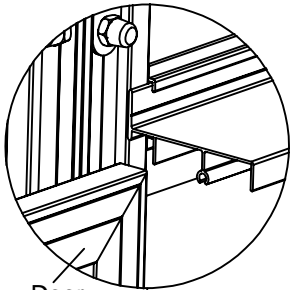
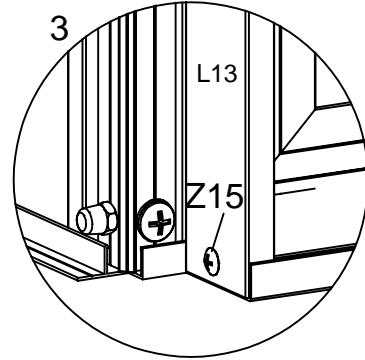
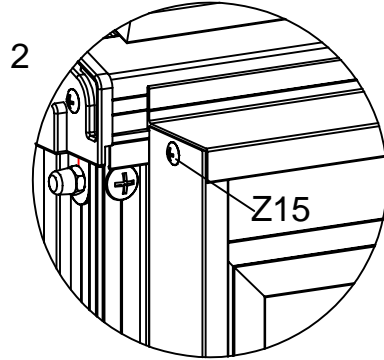


PART	NO	QTY
	Door	2
	L14A	1
	L13	2
	Z15 Ø4X12D	4
	Z19 M4.2X10	4
	H78-1	4
	H78-2	4



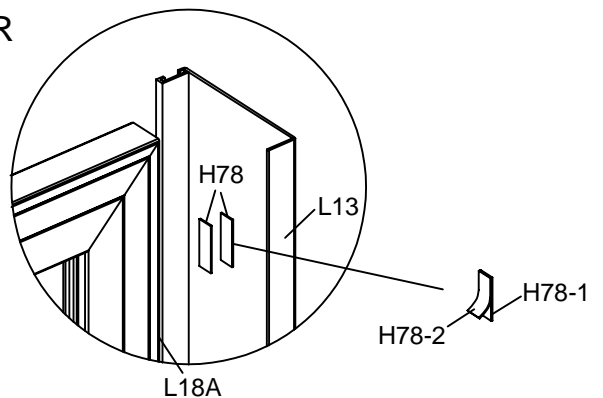
Secure L14A onto L07 using Z19.

















Fix L13 to L07 and L10A using Z15.

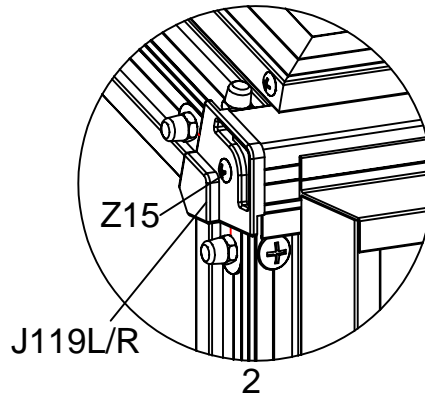
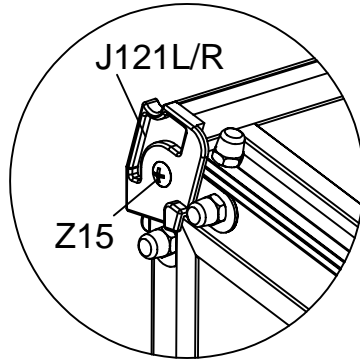


Put the magnetic sticker H78 onto L18A and L13 at matching positions so that the door can close tightly.

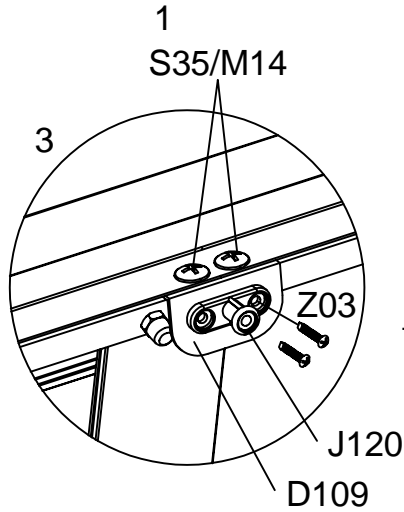
* Make sure the stickers don't cover the holes on L13.



PART	NO	QTY
	Window	1
	Z15 Ø4X12D	4
	Z03 Ø4X12	2
	J121L	1
	J121R	1
	J119L	1
	J119R	1
	J120	1
	D109	1
	D117	2
	S35 M6X10	6
	M14 M6	6
	S36 M4X6	2
	S37 M6X12	2
	M15 M6	2
	M16 M4	2

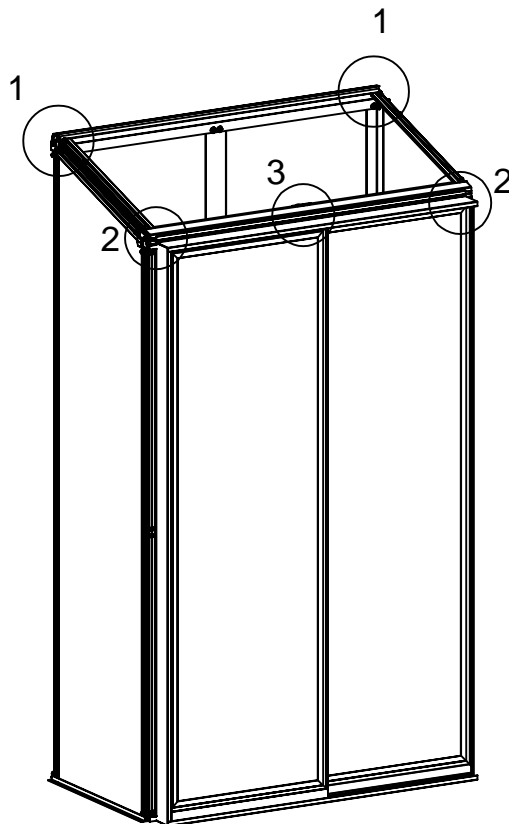


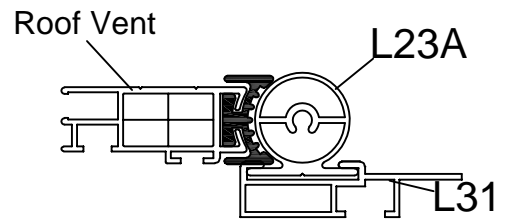
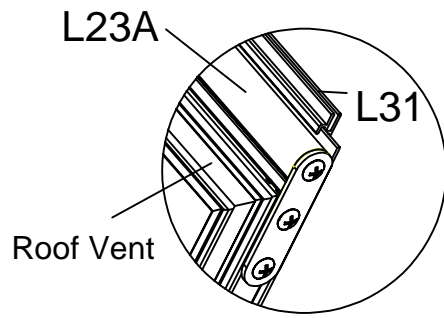
Fix parts J119R/L & J121R/L, using Z15.



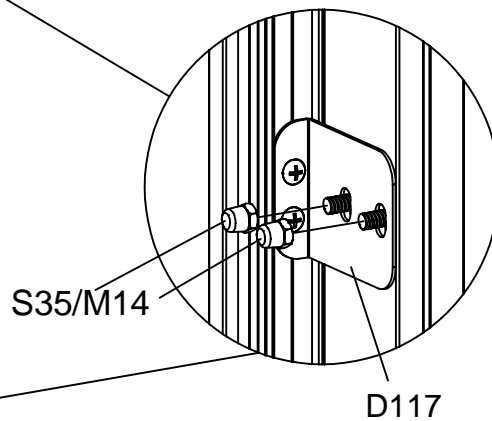
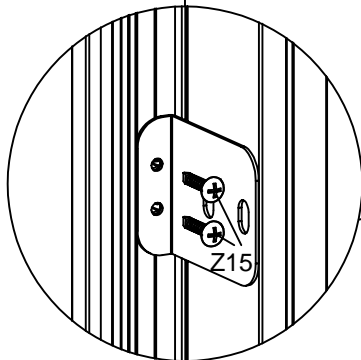
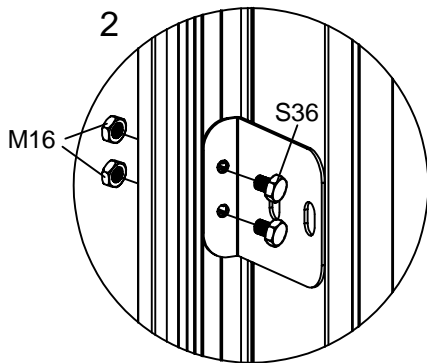
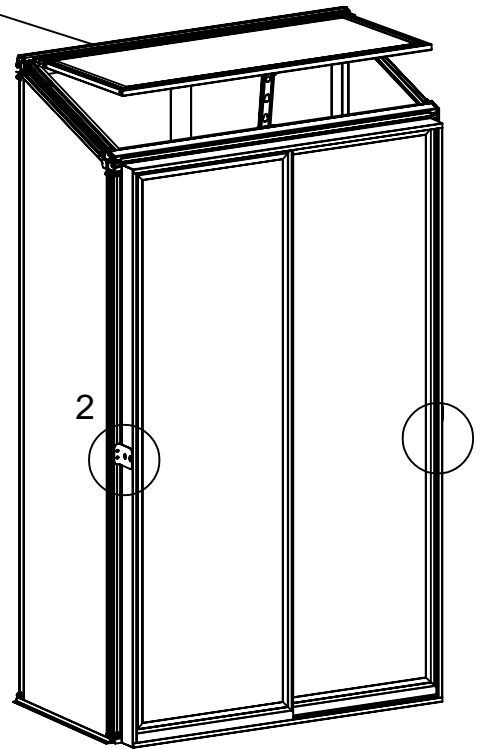
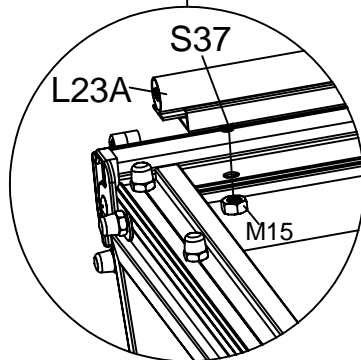
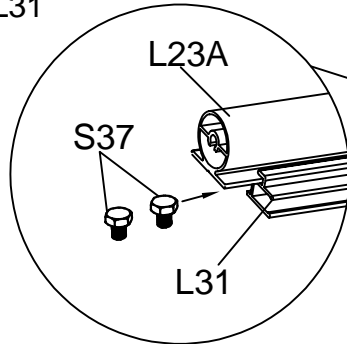
Fix plate D109 onto L07, using S35 & M14, then fix J120 onto D109, using Z03.

inner view





Slide 2 * S37 into the channel of L31 to fix it to L06 using M15.



Loosen the existing Z15, and fix D117 bracket to L13 & L01A using the same Z15 and S35 & M14.

Contact information

Head office:

Dancover A/S
Lyngevej 16A, Nørre Herlev
3400 Hillerød
Denmark

For more information
please visit:

www.dancovershop.com

National contact

Denmark:

denmark@dancover.com

UK:

uk@dancover.com

Germany:

germany@dancover.com

France:

france@dancover.com

Sweden:

sverige@dancover.com

Finland:

suomi@dancover.com

Poland:

polska@dancover.com

Luxembourg:

luxembourg@dancover.com

Portugal:

portugal@dancover.com

Spain:

espana@dancover.com

Italy:

italia@dancover.com

Switzerland:

schweiz@dancover.com

Austria:

austria@dancover.com

Norway:

norge@dancover.com

Nederland:

nederland@dancover.com

Ireland:

ireland@dancover.com

Belgium:

belgique@dancover.com