

**DANCOVER<sup>®</sup>**

**.com**

Manual  
for  
Greenhouse Nursery  
0,61x1,11x1,75m

# Assembly Instructions



PRODUCT SIZE(LxWxH): 61X111X175CM  
PLEASE READ CAREFULLY BEFORE ASSEMBLY

	PART	NO	QTY
1		L01A	2
		L01B	2
2		L01C	4
3		L02A	2
4		L06	1
		L07	2
5		L08A	2
		L08B	1
6		L10A	1
		L14A	1
7		L22B	2
8		L22A	8

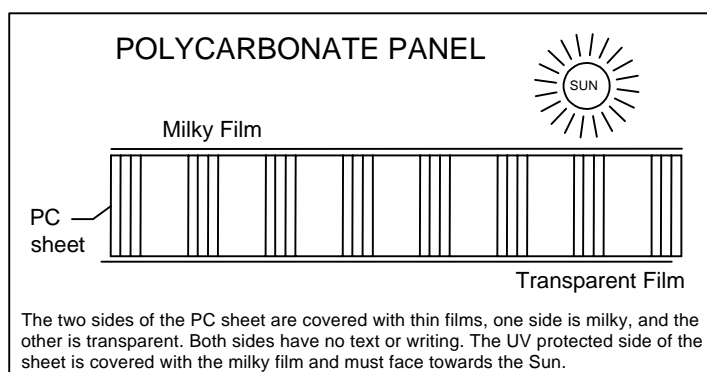
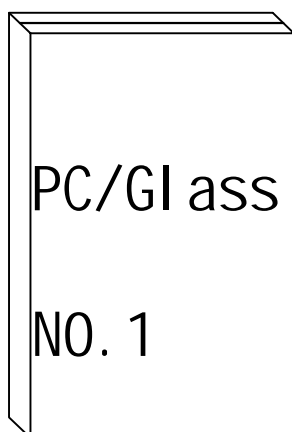
	PART	NO	QTY
9		L13A	1
		L13B	1
10		L15	2
11		L19A	4
12		L19B	2
		L20	2
13		L18A	4
		L18B	2
14		L03A	2
		L31	2
		L23A	2
15		L21A	16

	PART	NO	QTY
		D99	4
		D100	2
		D108	4
		D117	2
		H78-1	4
		H78-2	4
		S35 M6X10	52
		S37 M6X12	8
		M15 M6	8
		M14 M6	52
		Z03 Ø4X12	8
		Z29 Ø3.5X16D	98
		Z19 M4.2X10	4

	PART	NO	QTY
		J118	2
		J119L	2
		J119R	2
		J120	2
		A68	2

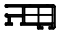
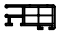
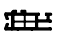









PART	NO	QTY
	Y1	1
	Y2	1
	Y3	1
	Y4	1
	Y6	2
	Y7	4
	Y10	2
	Y11	2

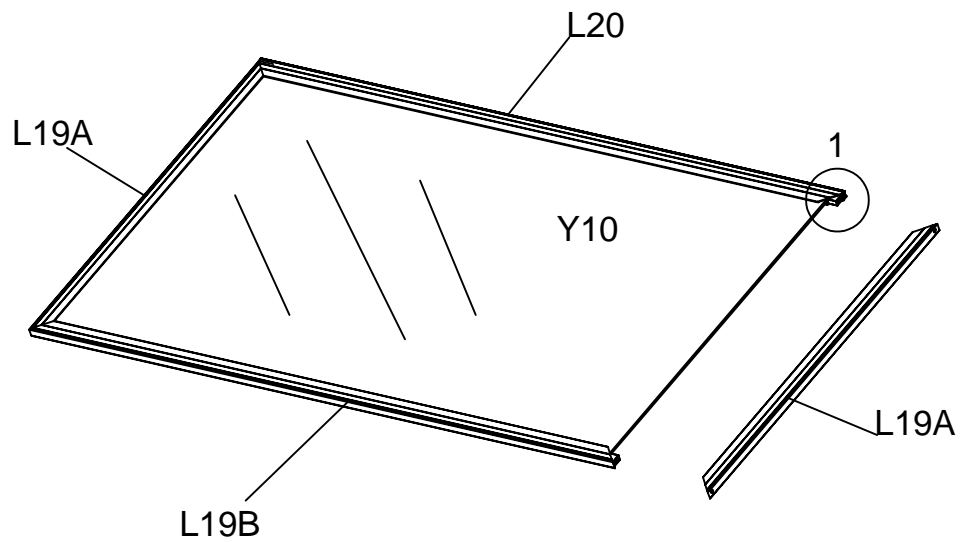


### Note:

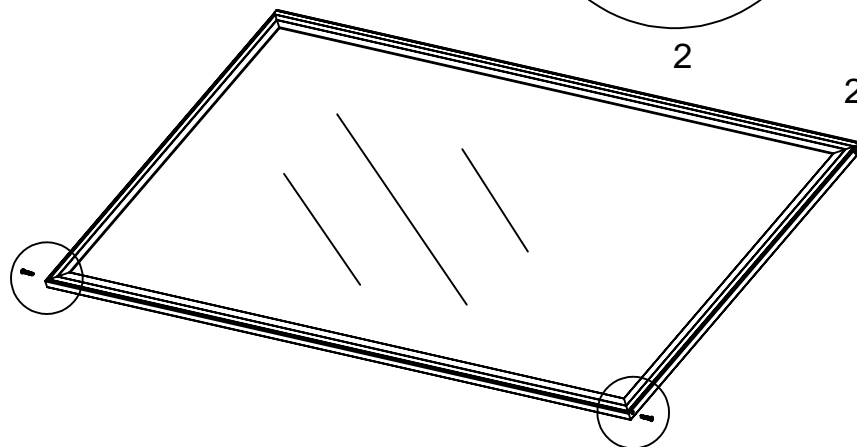
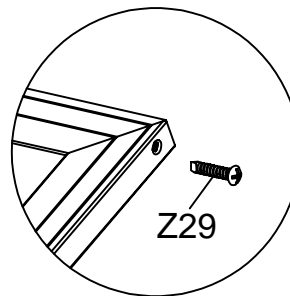
Each Polycarbonate Panel comes with UV protected properties. Please ensure the milky film faces out, towards the Sun. Remove the films from four edges when assembly, and remove them all after finishing assembly.

PART	NO	QTY
	L19A	4
	L19B	2
	L20	2
	L31	2
	L23A	2
	A68	2
	Y10	2
	D108	4
	Z29 Ø3.5X16D	16
	Z03 Ø4X12	4

# Roof Vent Assembly



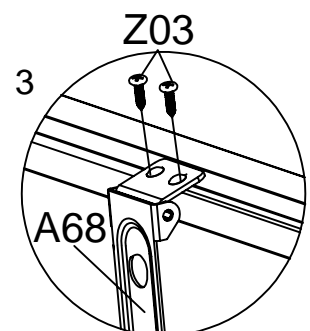
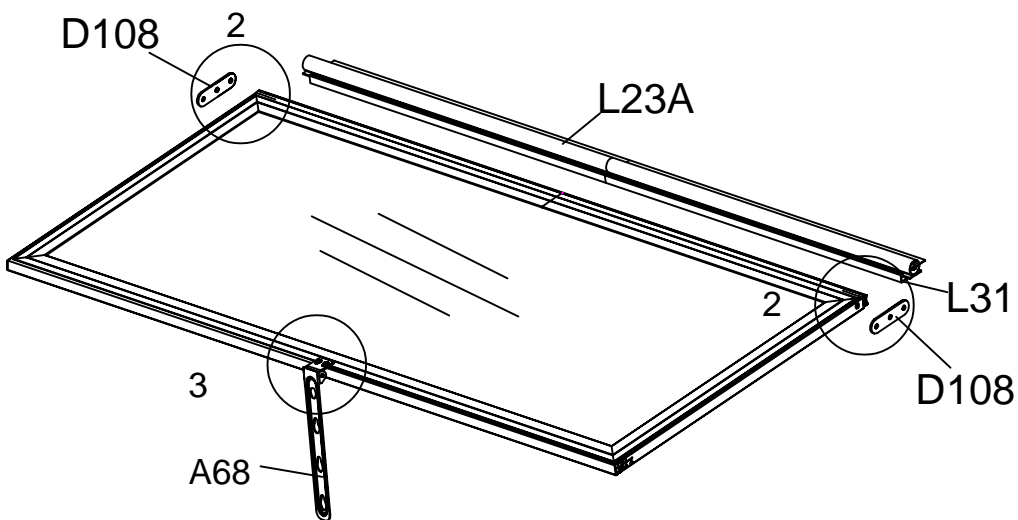
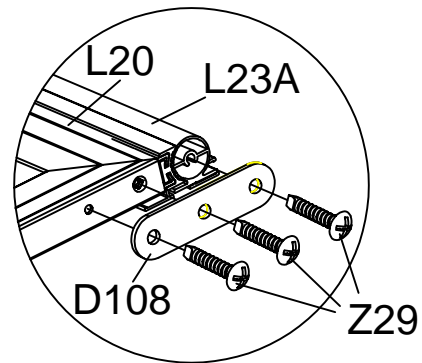
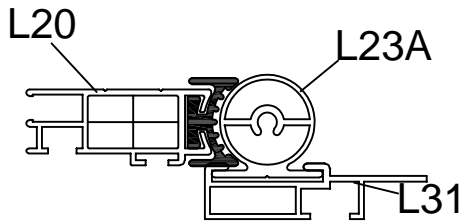
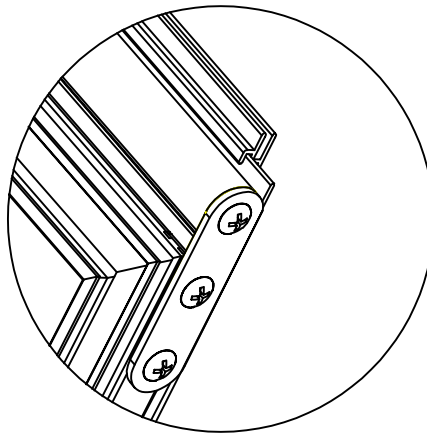
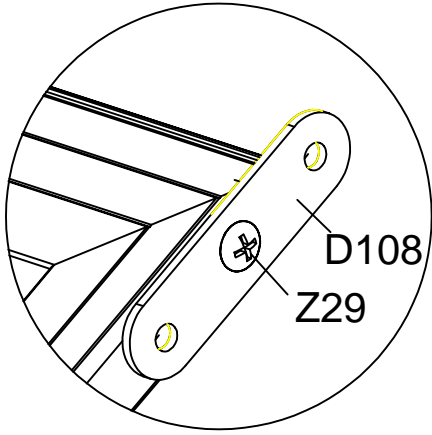
Fix L19A to L20 & L19B using Z29, then insert the panel Y10 into position.



Fix another L19A, using Z29.

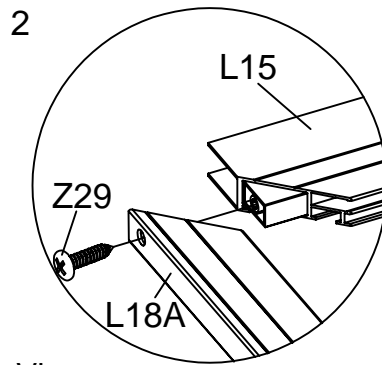
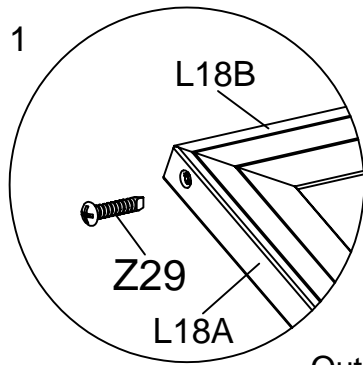
Fix L23A & L31 to the window as below, using D108 and Z29.  
(L23A & L31 are factory fitted as a part already)

1



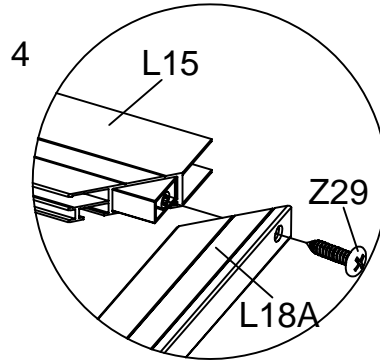
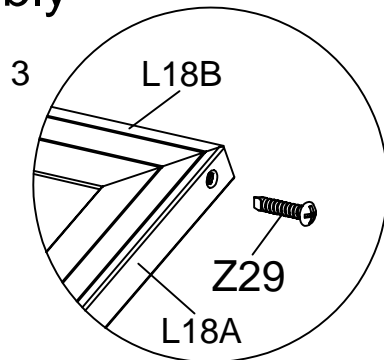
Fix part A68 to L19B, using Z03.

PART	NO	QTY
	L15	2
	L18A	4
	L18B	2
	Y11	2
	Z29 Ø3.5X16D	8

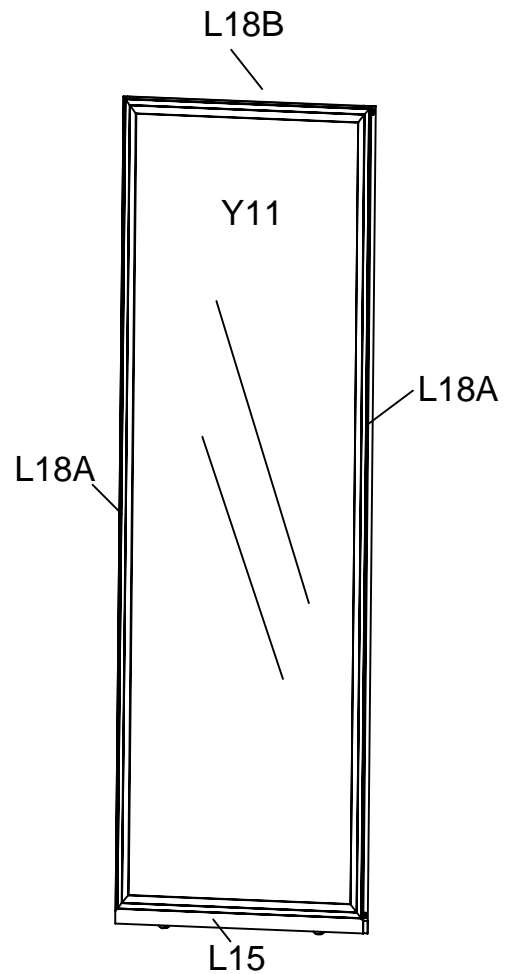
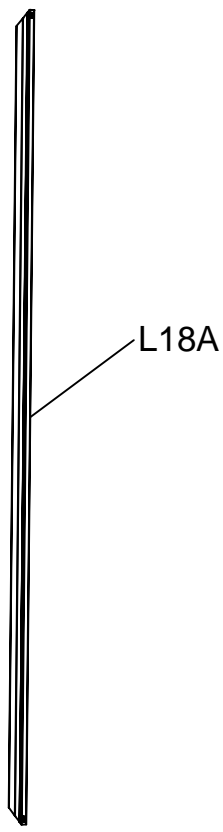
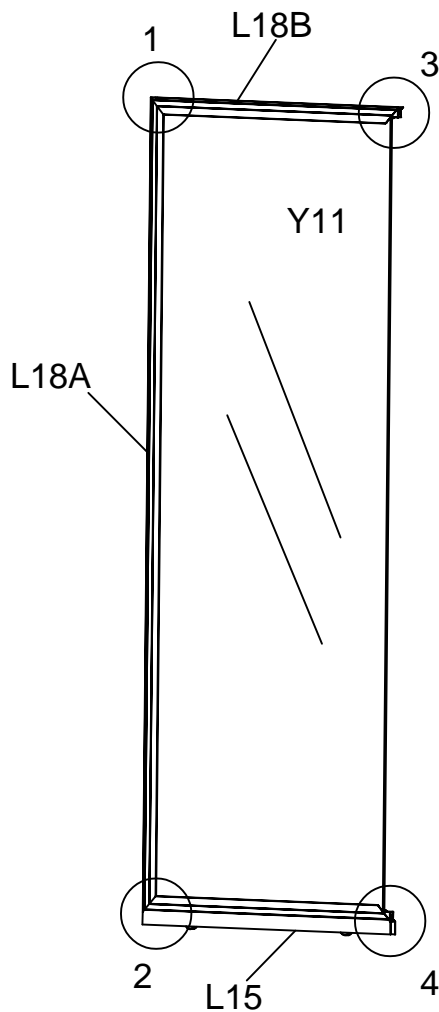


Outside View

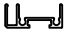


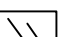
## Door Assembly



Fix L18A to L15&L18B using Z29, then put the panel Y11 into position.

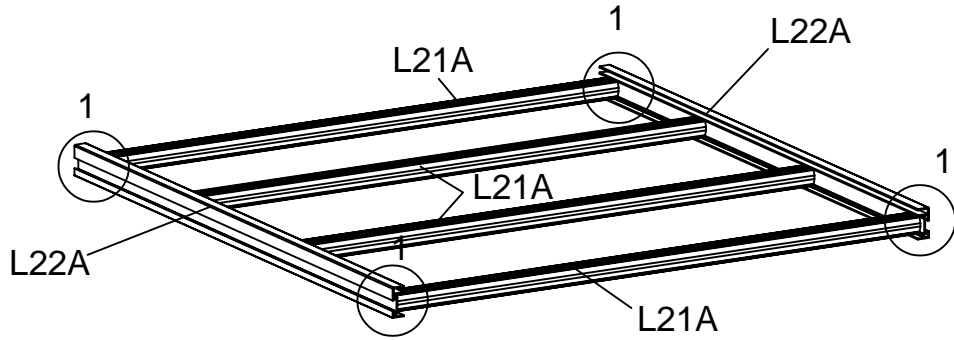


Fix another L18A to L15 & L18B using Z29.

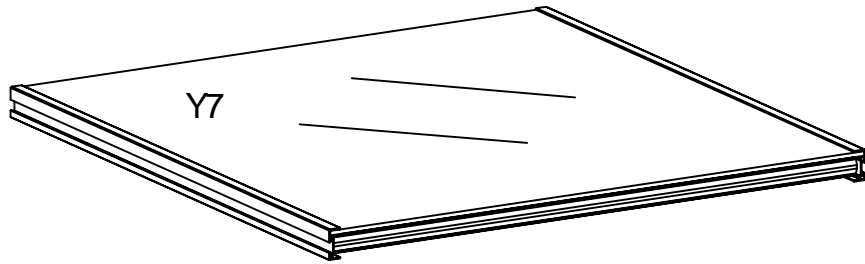
PART	NO	QTY
	L22A	8
	L21A	16
	Z29 Ø3.5X16D	32
	Y7	4

## Shelves Assembly (4PCS)

Fix L21A (4PCS) to 2 \* L22A as below, using Z29.

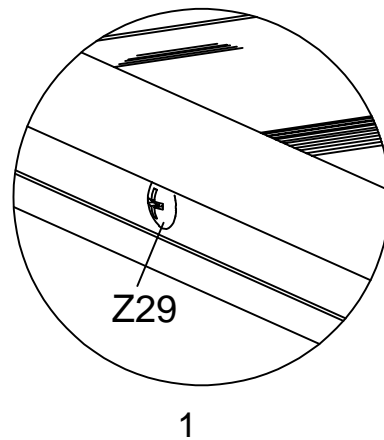




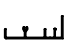





Insert panel Y7 into the channel of L22A.



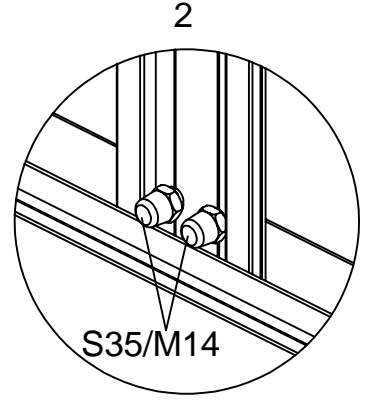
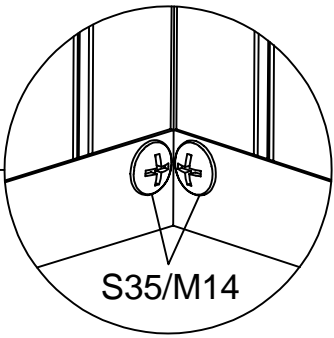
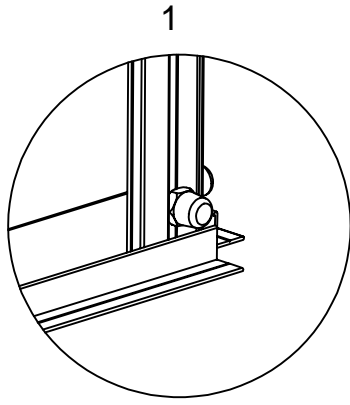
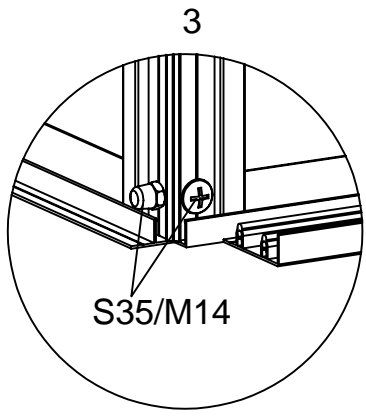
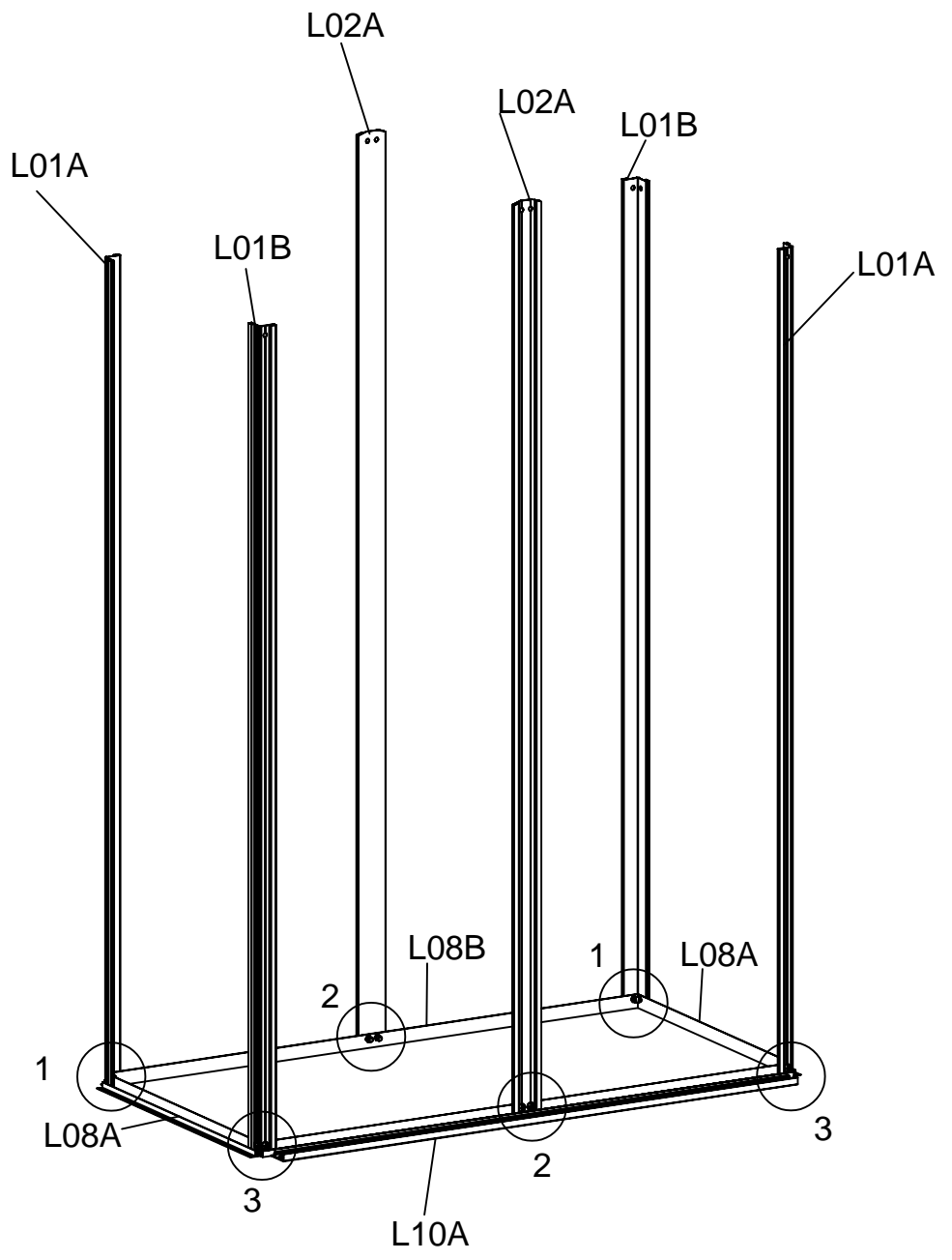
### Attention:

If glass is chosen, make sure the shelves should be put in a safe place to avoid damaging or falling off after assembly.



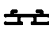
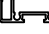





PART	NO	QTY
	L08A	2
	L08B	1
	L10A	1
	L01A	2
	L01B	2
	L02A	2
	S35	12
	M6X10	
	M14	12
	M6	

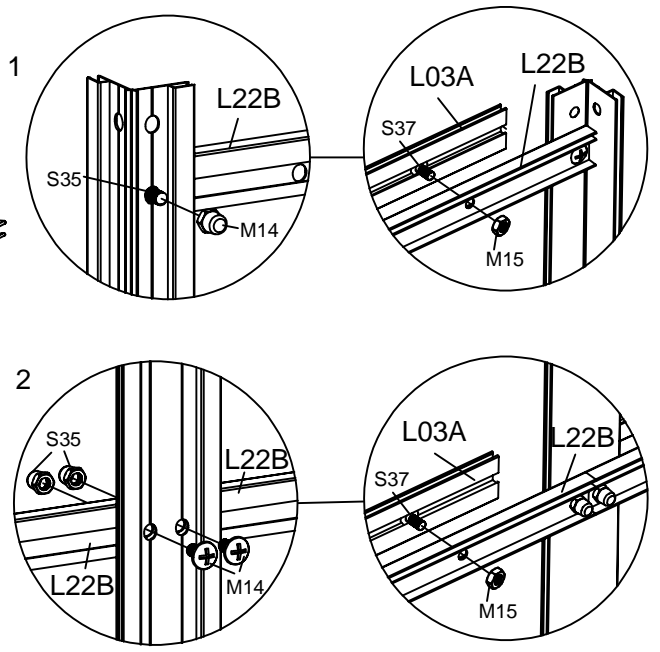
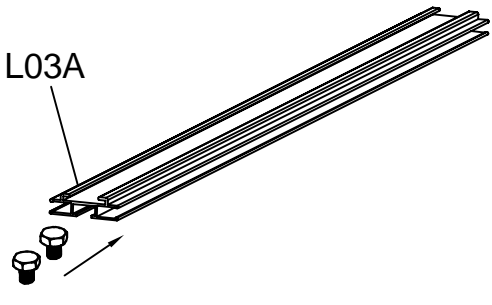
# Main Frame Assembly



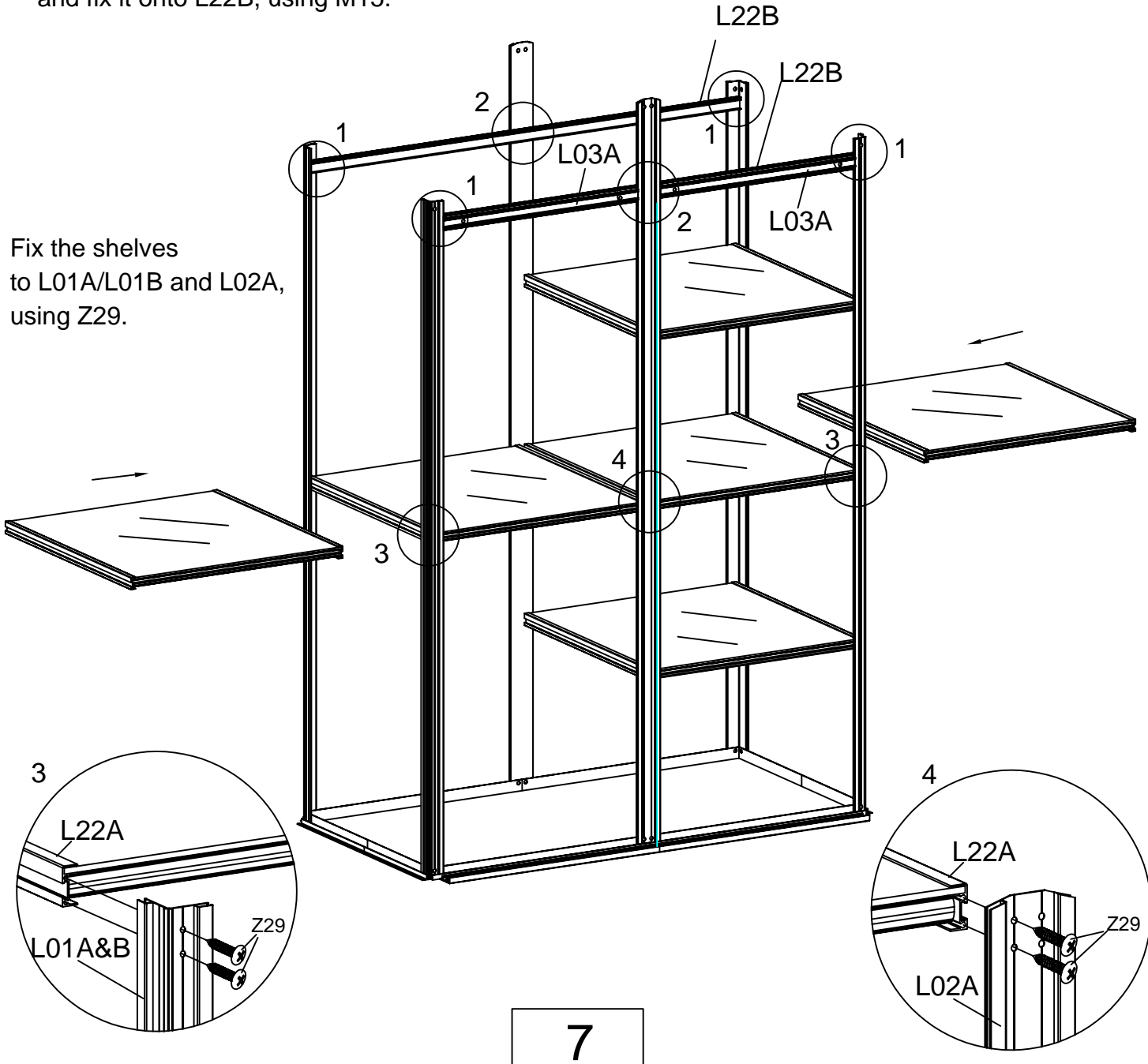
Fix the base and all the vertical elements using S35 & M14.



PART	NO	QTY
	L03A	2
	L22B	2
	Z29 Ø3.5X16D	32
	S37 M6X12	4
	M15 M6	4
	S35 M6X10	8
	M14 M6	8



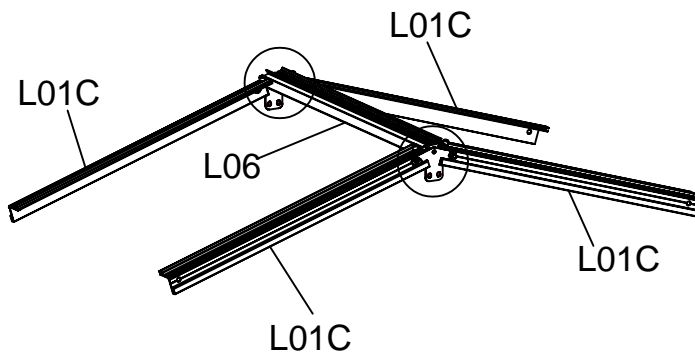
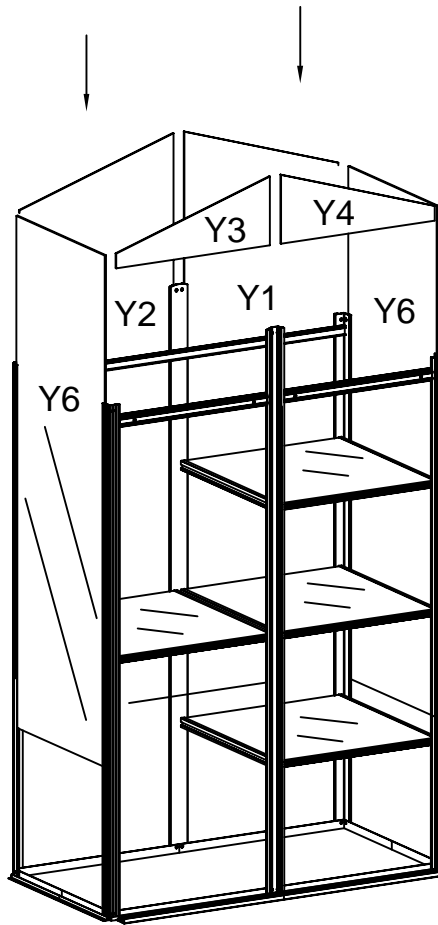
1. Fix L22B to L01A & L01B, using S35 & M14.
2. Slide S37 \* 2 into the channel of L03A, and fix it onto L22B, using M15.



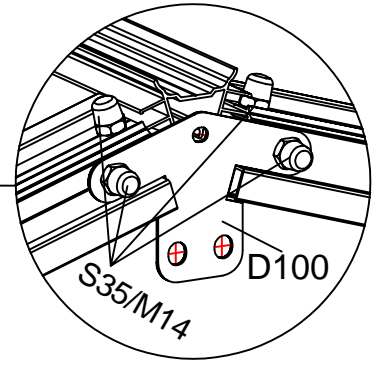
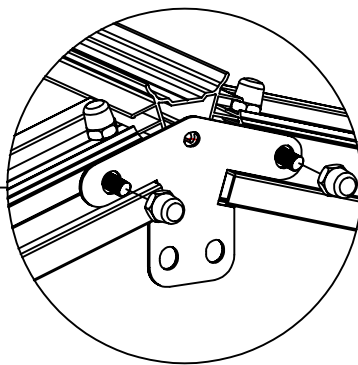
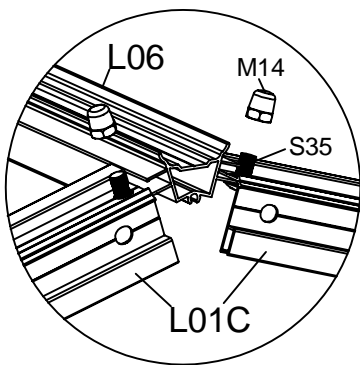
Fix the shelves to L01A/L01B and L02A, using Z29.

PART	NO	QTY
	L06	1
	L07	2
	L01C	4
	D99	4
	D100	2
	Y1	1
	Y2	1
	Y3	1
	Y4 </td <td>1</td>	1
	Y6	2
	S35	28
	M6X10	
	M14	28
	M6	

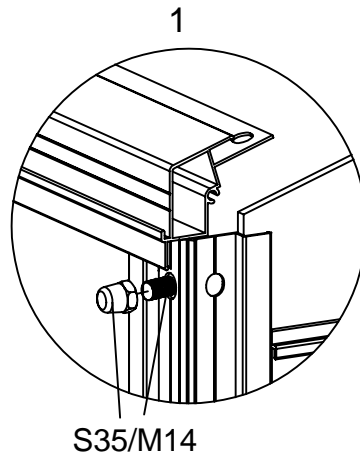
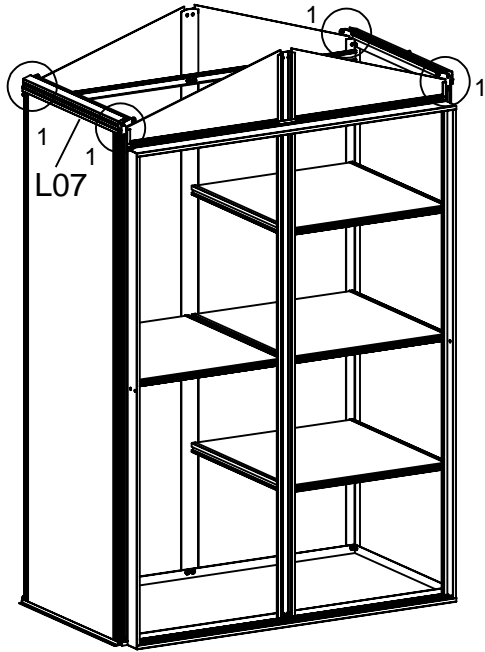
Put the panels into positions.



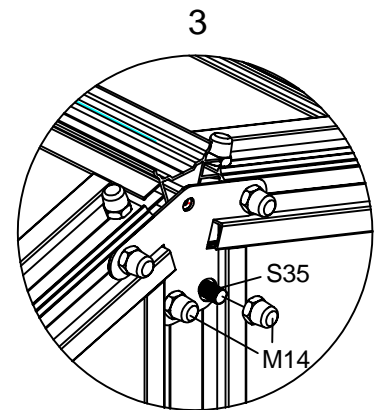
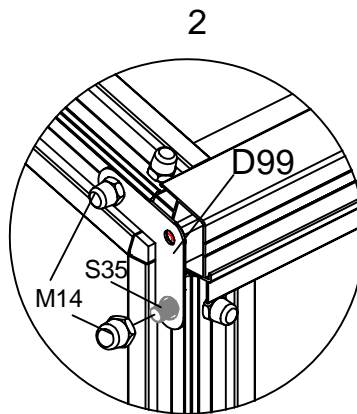
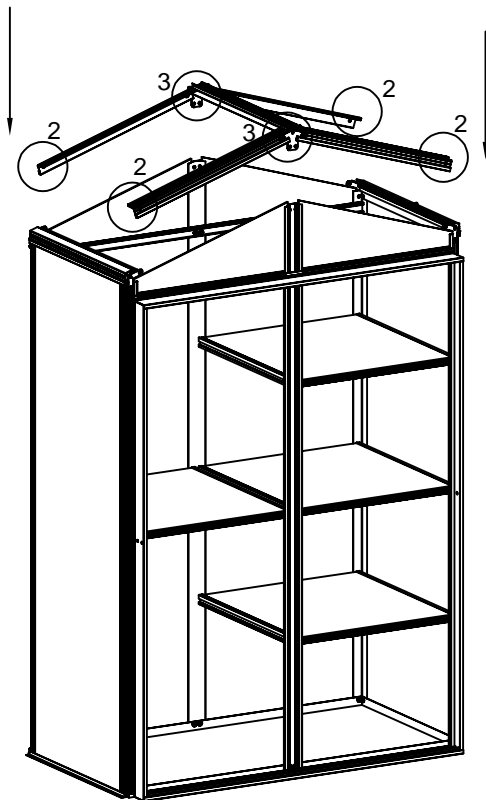
Fix L01C to L06,  
using D100 and S35/M14.


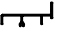
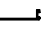
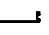











Fix L07 to L01A & L01B,  
using S35 & M14.

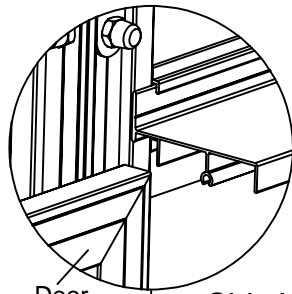


Fix the roof frame to L01A, L01B and L07,  
using plate D99 and S35 & M14.

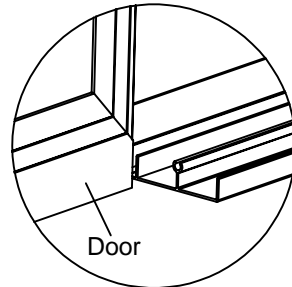
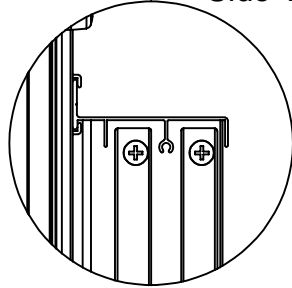


PART	NO	QTY
	Door	2
	L14A	1
	L13A	1
	L13B	1
	H78-1	4
	H78-2	4
	J118	2
	J119L	2
	J119R	2
	J120	2
	Z29 Ø3.5X16D	10
	Z19 M4.2X10	4
	Z03 Ø4X12	4

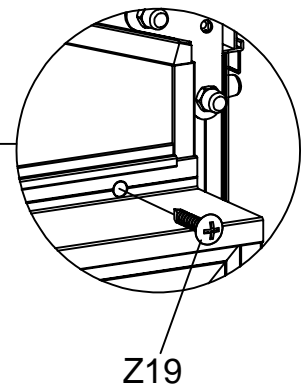
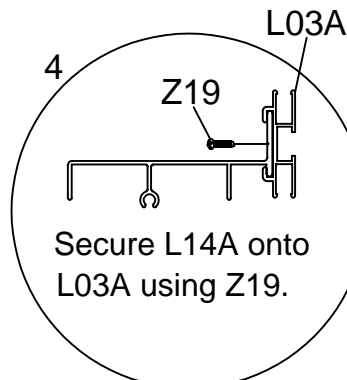
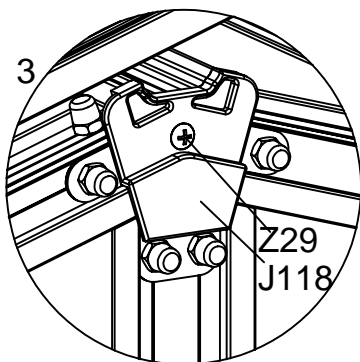
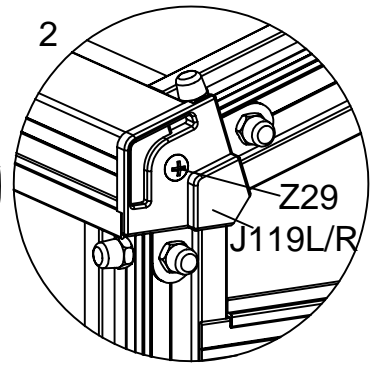
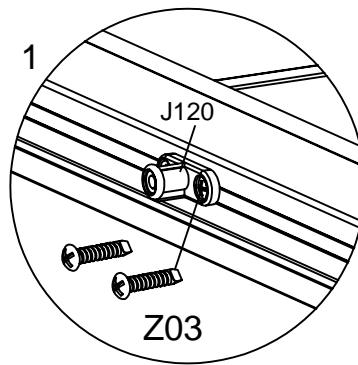
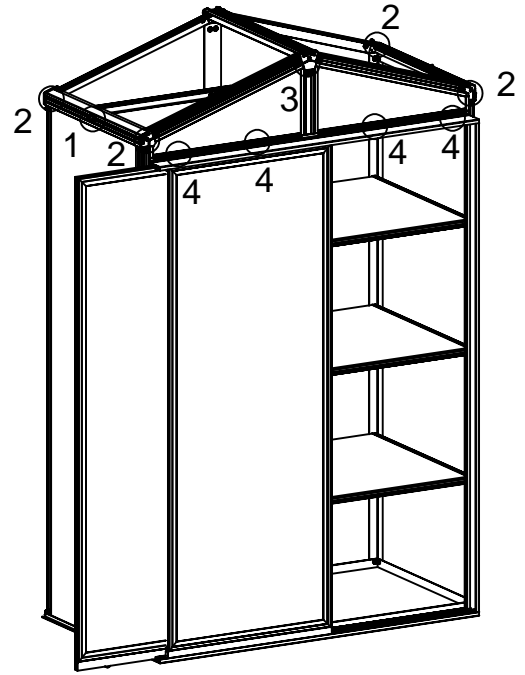
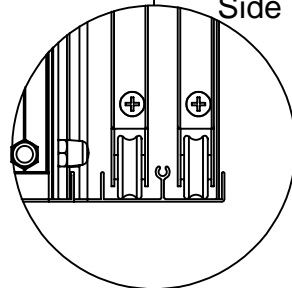
Slide both Doors into the track as shown.

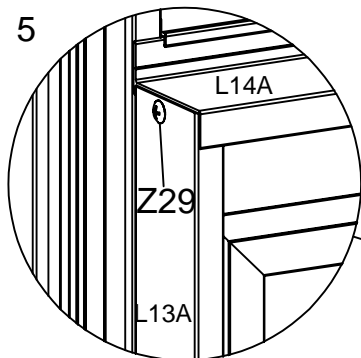


Side View from Top

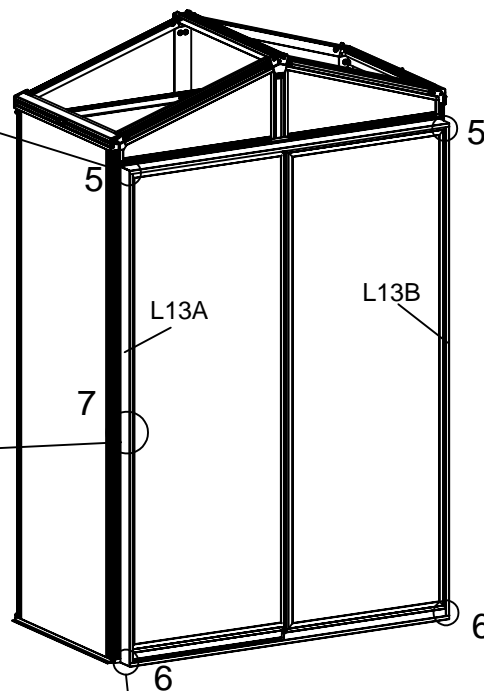
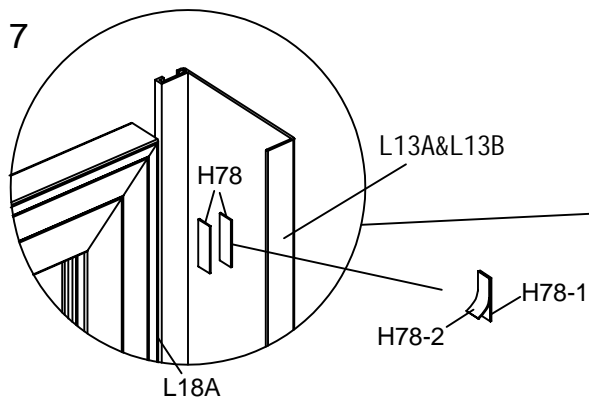


Side View from Bottom



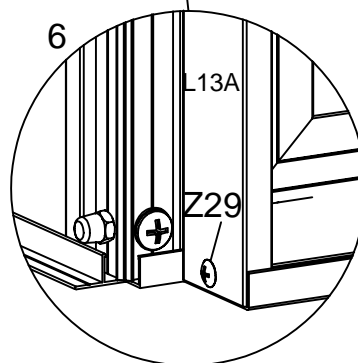








Fix L13A and L13B to L07 and L10A using Z29.

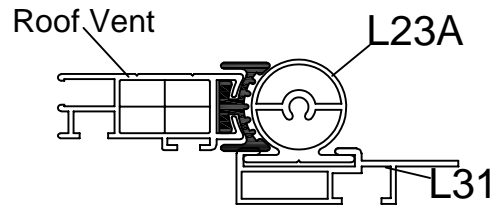
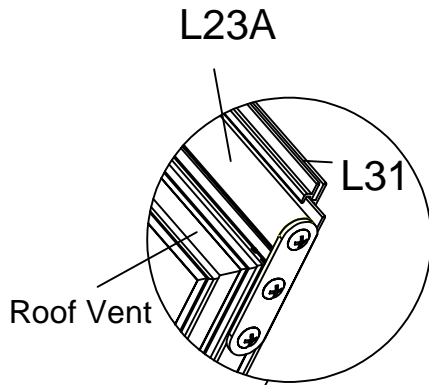


Put the magnetic sticker H78 onto L18A and L13A & B at matching positions so that the door can close tightly.

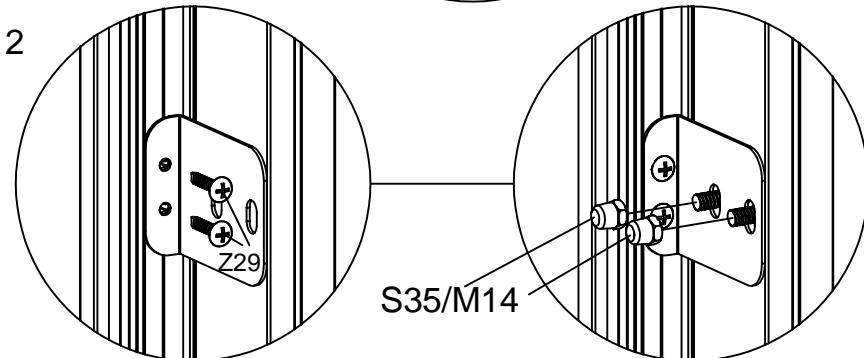
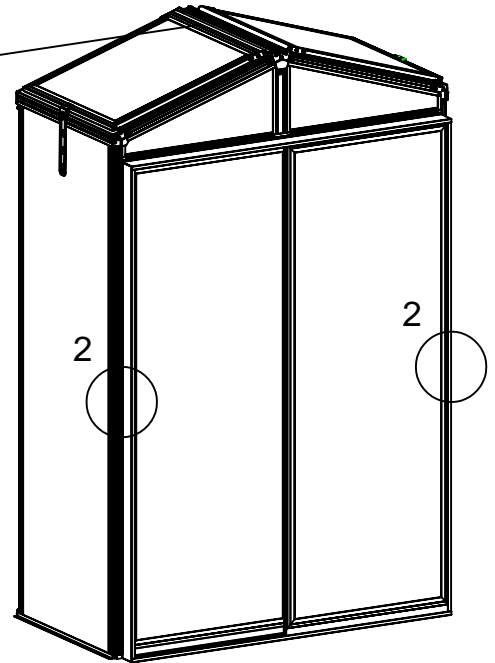
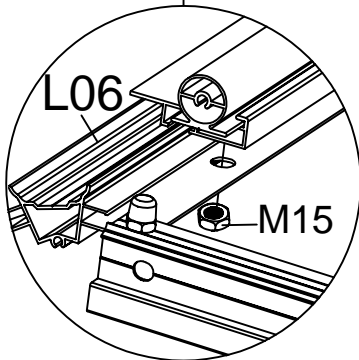
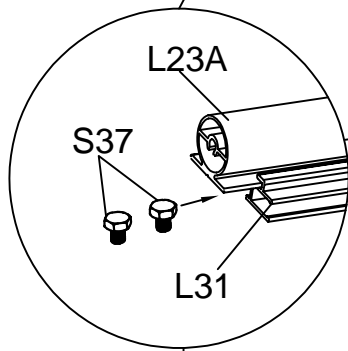
\* Make sure the stickers don't cover the holes on L13A & B.



PART	NO	QTY
	Window	2
	S37 M6X12	4
	M15 M6	4
	D117	2
	S35 M6X10	4
	M14 M6	4



Slide 2 \* S37 into the channel of L31 to fix it to L06 using M15.



Loosen the existing Z29, and fix D117 bracket to L13A/B & L01A/B using the same Z29 and S35 & M14.

## Contact information

Austria



Belgium



Croatia



Denmark



Estonia



Finland



France



Germany



Ireland



Italy



Latvia



Lithuania



Nederland



Norway



Poland



Portugal



Spain



Sweden



Switzerland



UK

