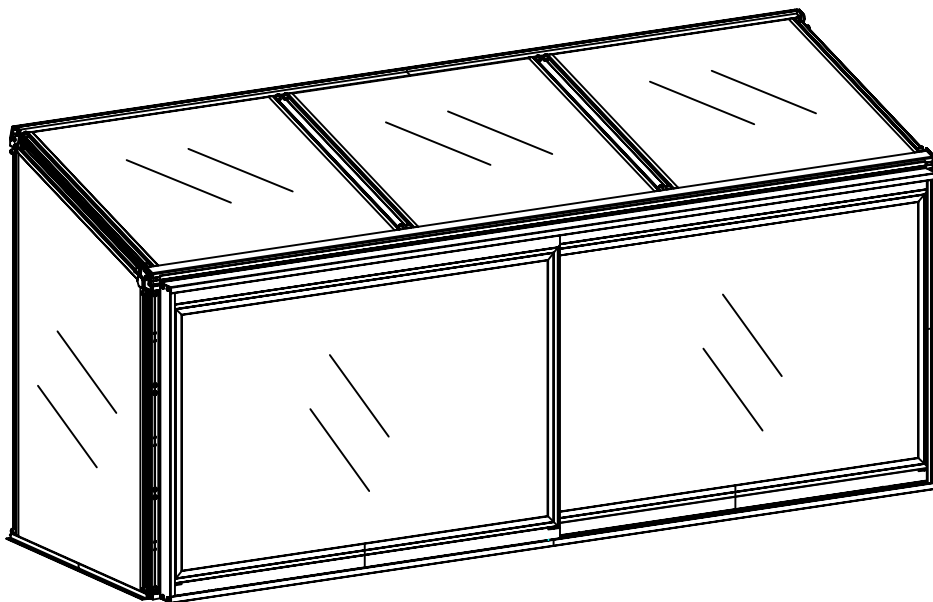


**DANCOVER<sup>®</sup>**

**.com**

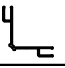



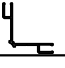




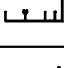

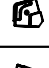

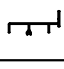
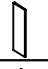


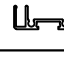

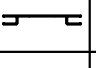
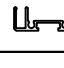

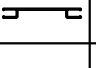



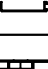

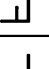
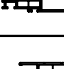

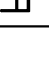
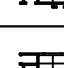

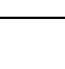
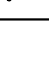
Manual  
for  
Mini Greenhouse  
0,61x1,83x0,86m

# Assembly Instructions




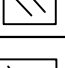
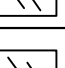

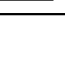


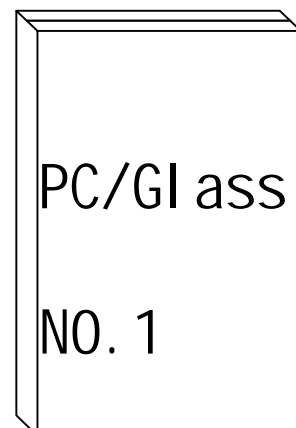
PRODUCT SIZE(LxWxH): 61X183X86CM

PLEASE READ CAREFULLY BEFORE ASSEMBLY

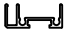




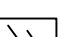
	PART	NO	QTY		PART	NO	QTY		PART	NO	QTY		PART	NO	QTY
1		L01A	2	5		L06	1	6		D99	2	7		J121L	1
		L01B	1			L07	1			D101	2			J121R	1
		L01C	1		L10A	1			D117	2			J119L	1	
2		L01D	1		L14A	1		H78-1	4		J119R		1		
		L01E	1	7		L22A	8		H78-2	4					
3		L02A	1	8		L22B	8		S35 M6X10	44					
		L02C	2	9		L23A	10		S36 M4X6	2					
		L02B	1	10		L13	2		M14 M6	44					
4		L08A	2	11		L15	2		M16 M4	2					
		L08B	1	12		L18A	4		Z15 Ø4X12D	68					
						L18B	2		Z19 M4.2X10	38					



PART	NO	QTY
	Y1	1
	Y2	1
	Y4	2
	Y5	3
	Y6	2
	Y7	2
	Y11	2

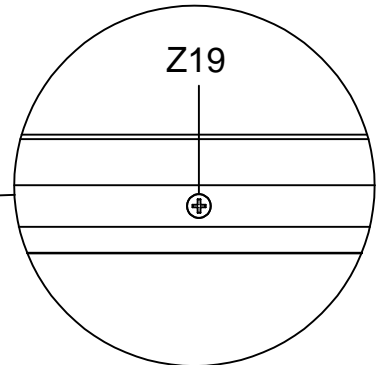
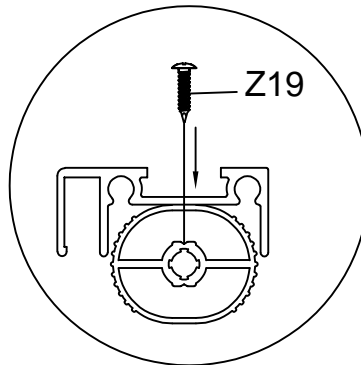
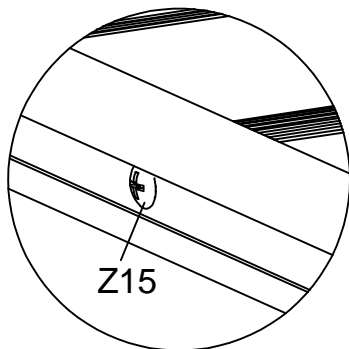
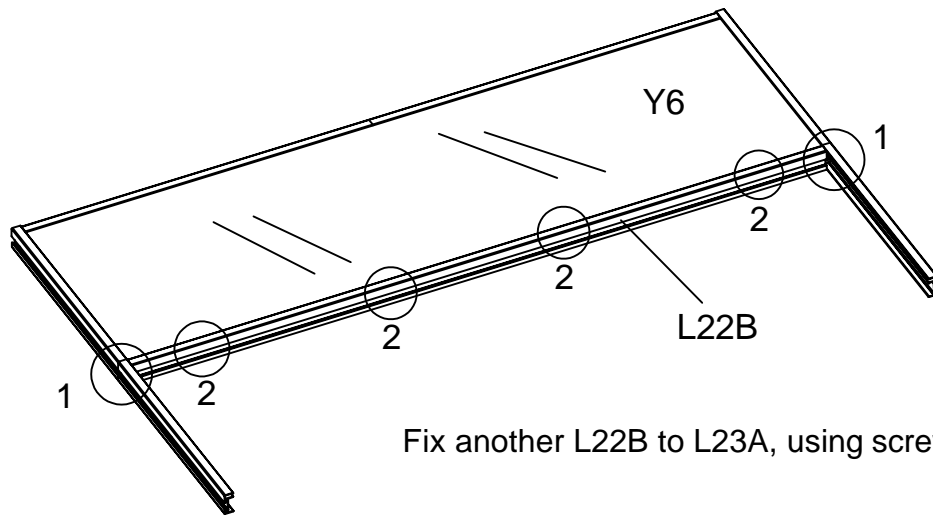
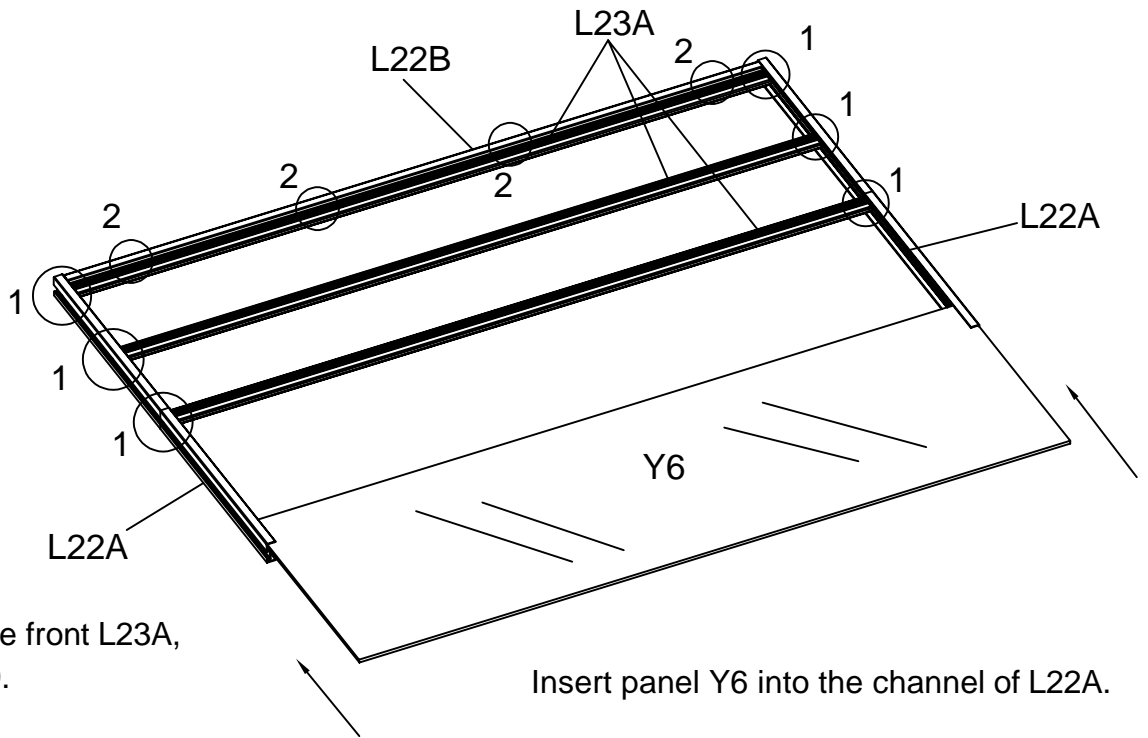


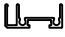




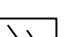
1

PART	NO	QTY
	L22A	4
	L22B	4
	L23A	6
	Z15	12
	Ø4X12D	
	Z19	16
	M4.2X10	
	Y6	2

## Wider Shelves Assembly (2PCS)

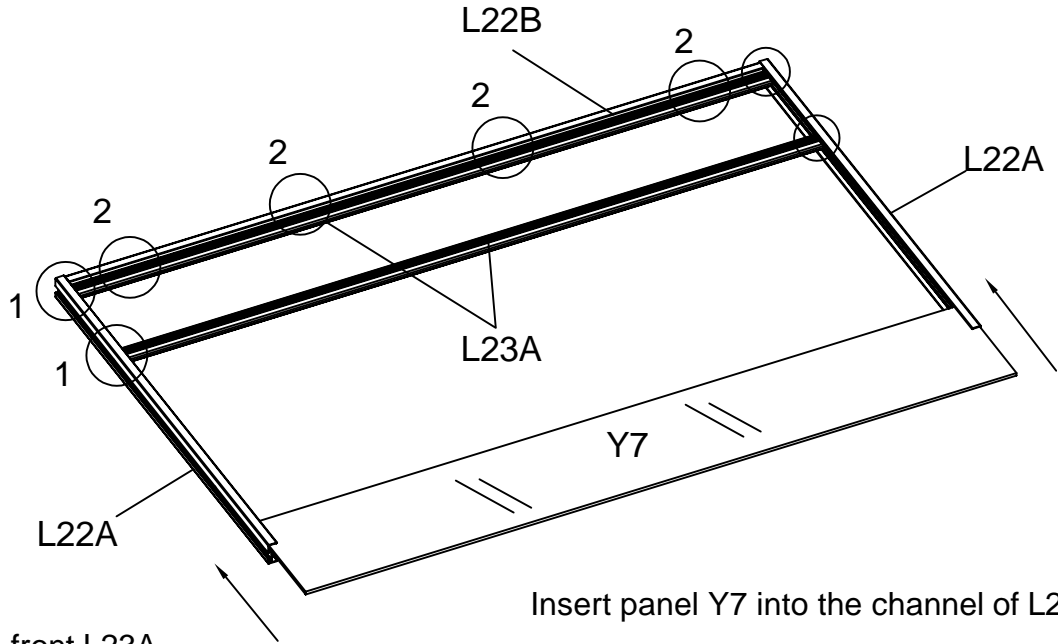
Fix L23A (3PCS) to 2 \* L22A as below, using Z15.



PART	NO	QTY
	L22A	4
	L22B	4
	L23A	4
	Z15	8
	Ø4X12D	
	Z19	16
	M4.2X10	
	Y7	2

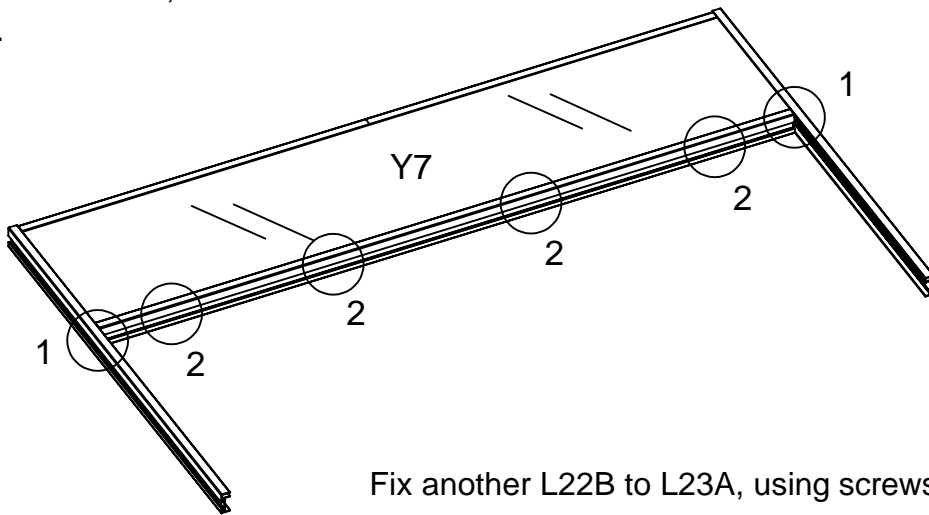
## Smaller Shelves Assembly (2PCS)

Fix L23A (2PCS) to 2 \* L22A as below, using Z15.

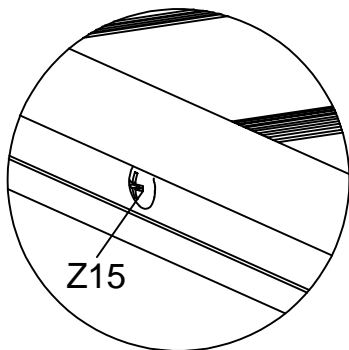


Insert panel Y7 into the channel of L22A.

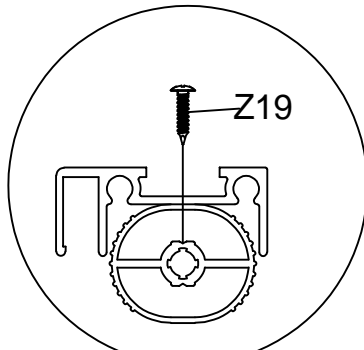
Fix 1 \* L22B to the front L23A, using screws Z19.



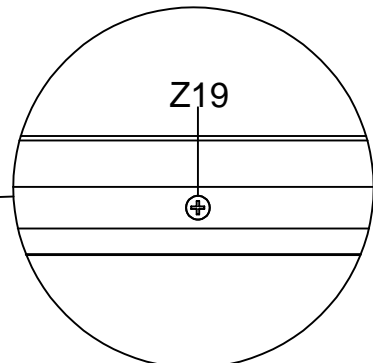
Fix another L22B to L23A, using screws Z19.








1



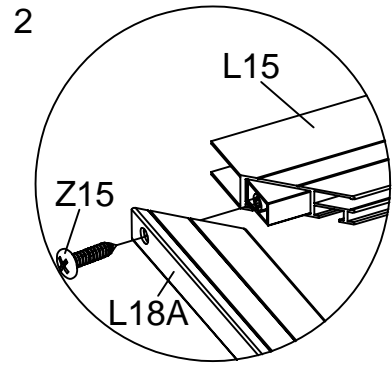
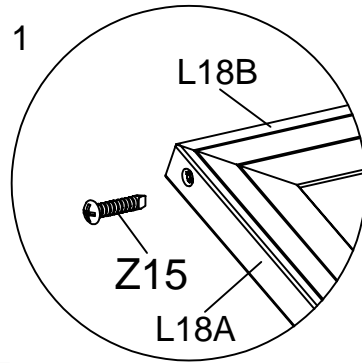
2



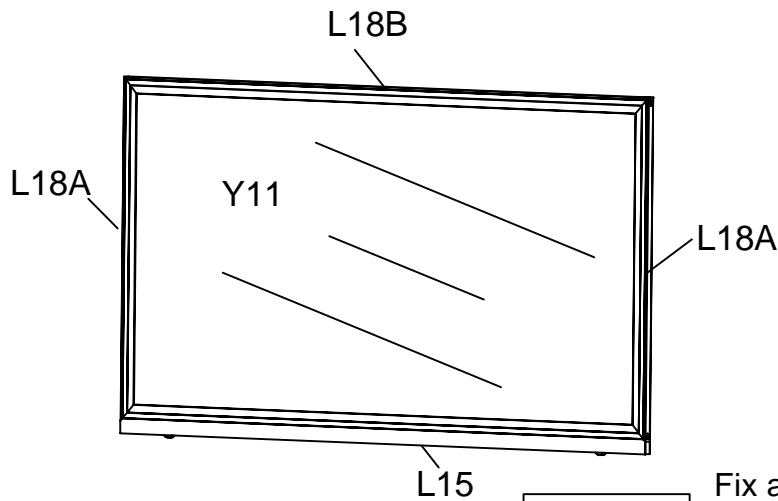
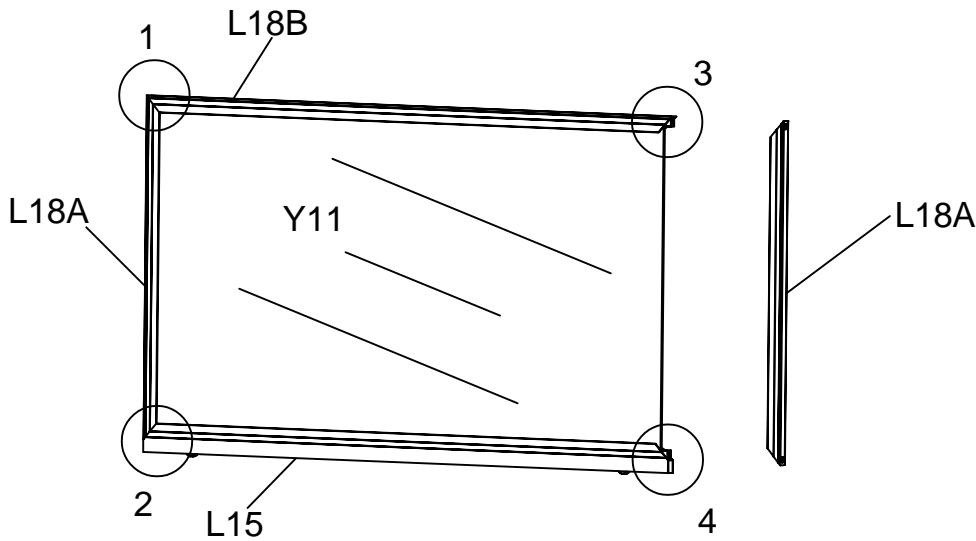
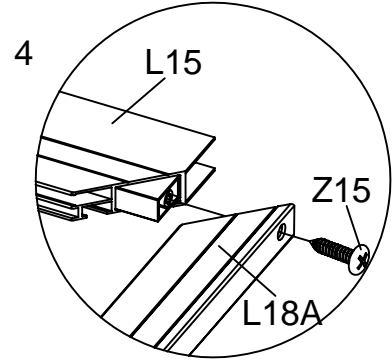
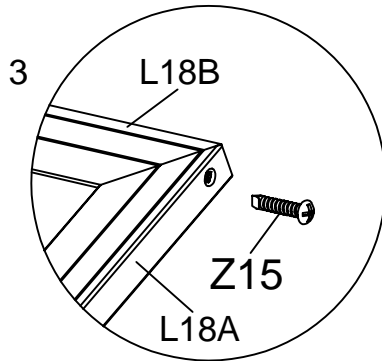
3

PART	NO	QTY
	L15	2
	L18A	4
	L18B	2
	Y11	2
	Z15	8
	Ø4X12D	

## Door Assembly



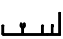




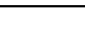




Fix L18A to L15&L18B using Z15,  
then put the panel Y11 into position.

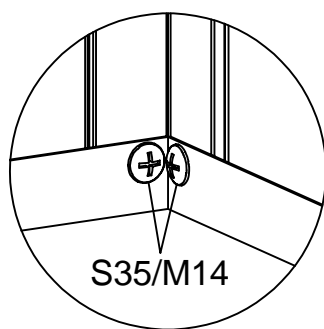
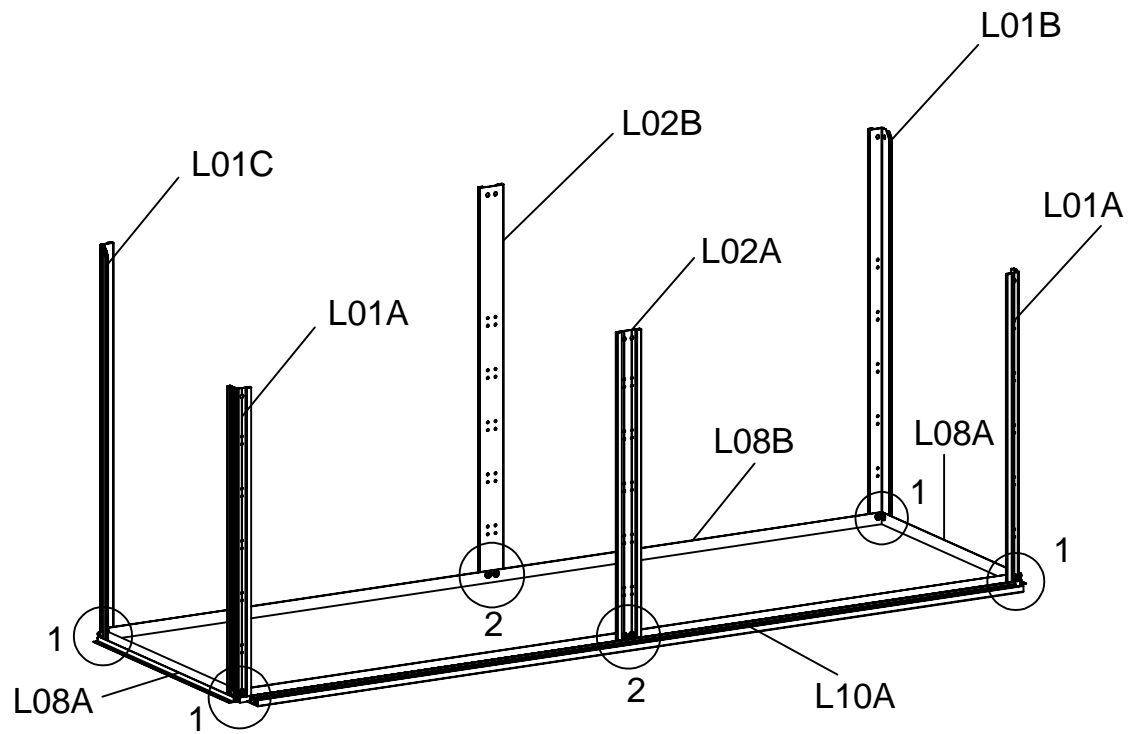


Fix another L18A to L15&L18B using Z15.

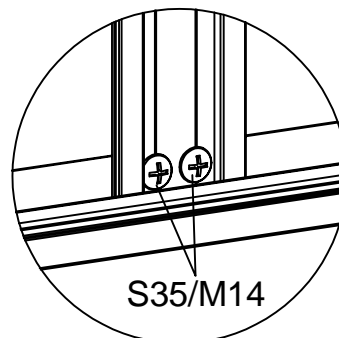
4

PART	NO	QTY
	L08A	2
	L08B	1
	L10A	1
	L01A	2
	L01B	1
	L01C	1
	L02A	1
	L02B	1
	S35 M6X10	12
	M14 M6	12

# Main Frame Assembly







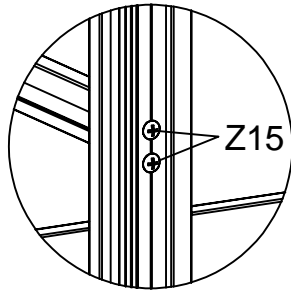
1



2

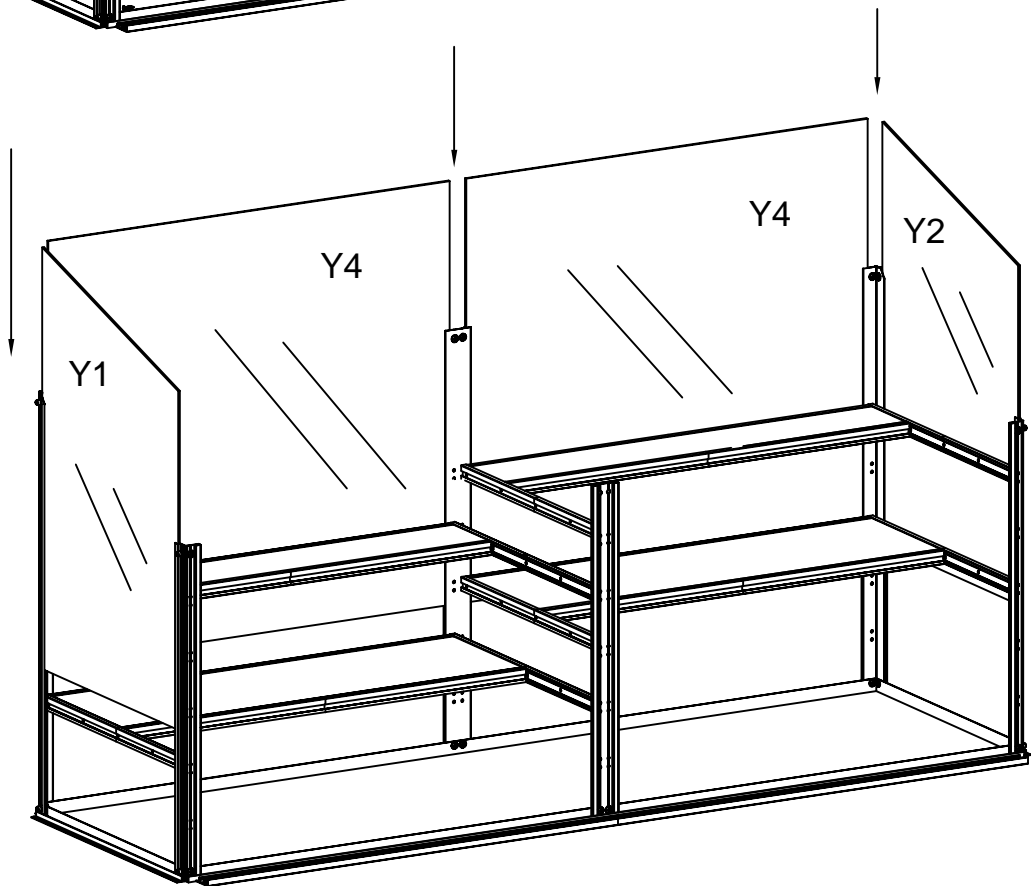
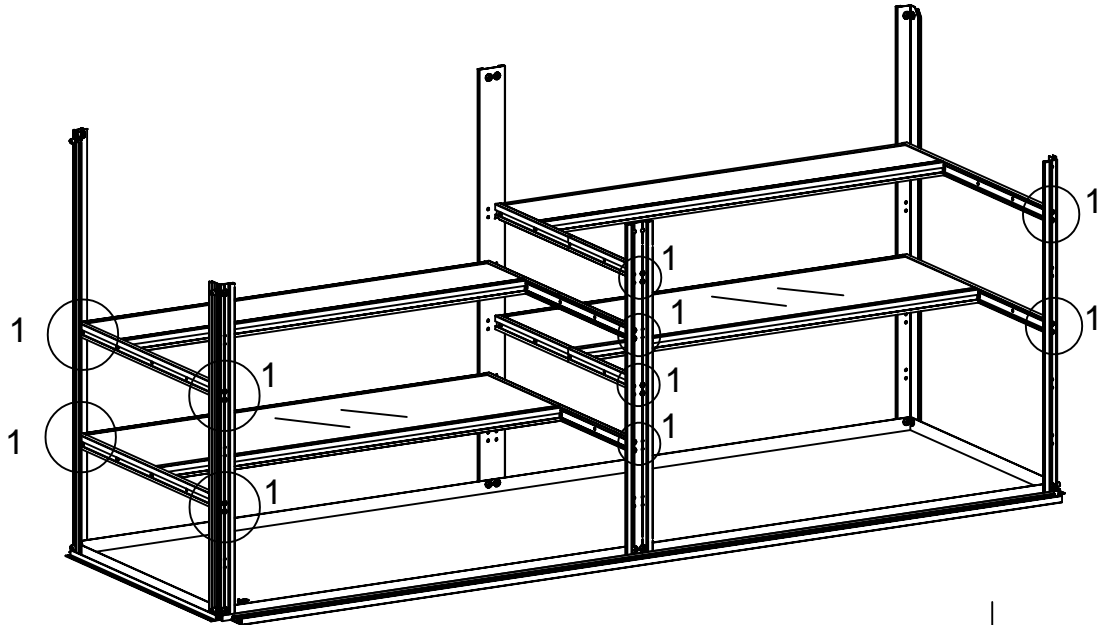
Fix the vertical elements using S35 & M14.

PART	NO	QTY
	Z15	32
	Ø4X12D	
	Y1	1
	Y2	1
	Y4	2



Fix the shelves to the posts, using Z15











1

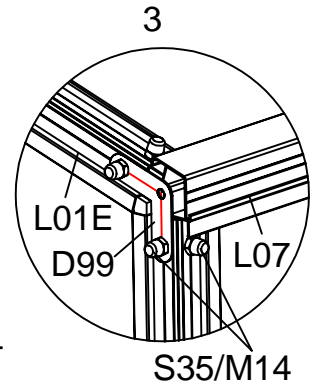
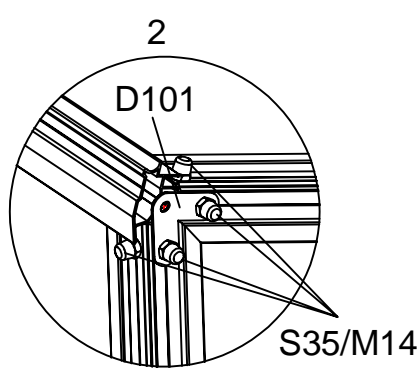
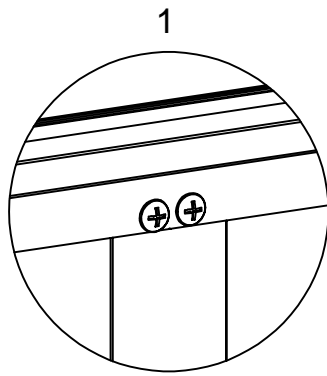


Put the panels into correct positions.

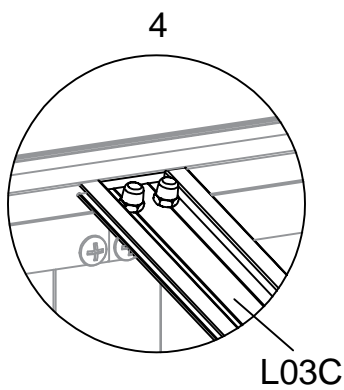
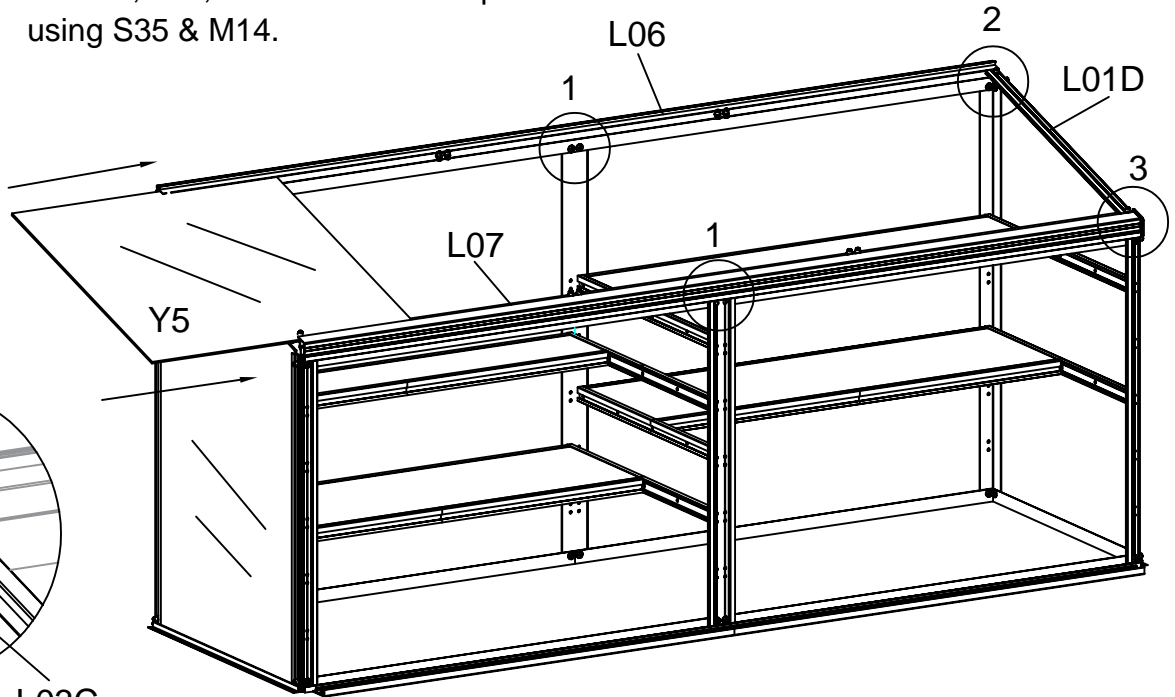
6



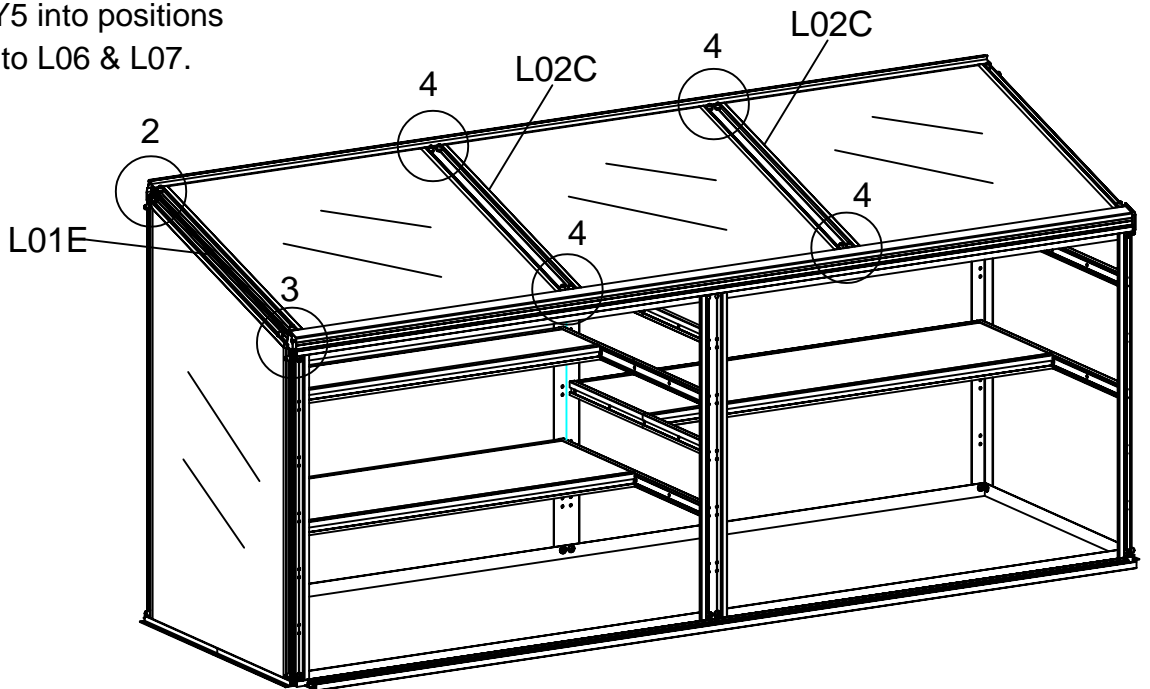
PART	NO	QTY
	L02C	2
	L06	1
	L07	1
	L01D	1
	L01E	1
	Y5	3
	D99	2
	D101	2
	S35 M6X10	28
	M14 M6	28



Fix L06, L07, L01D & L01E into position using S35 & M14.

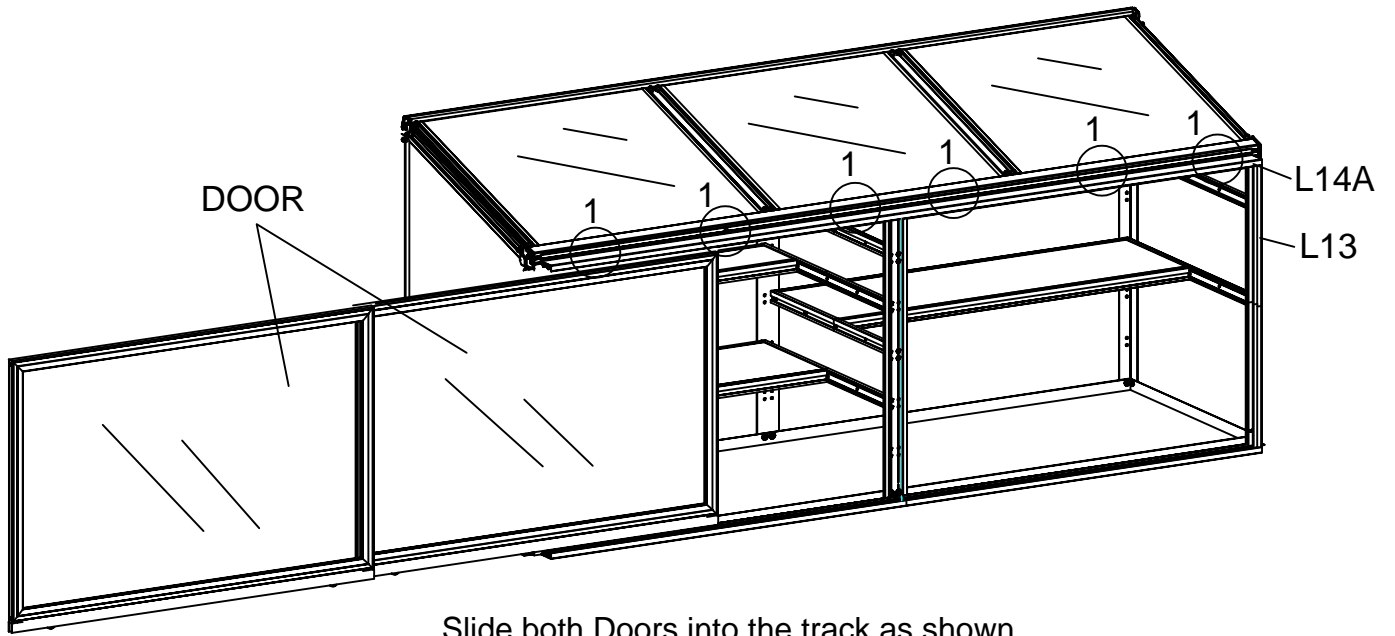
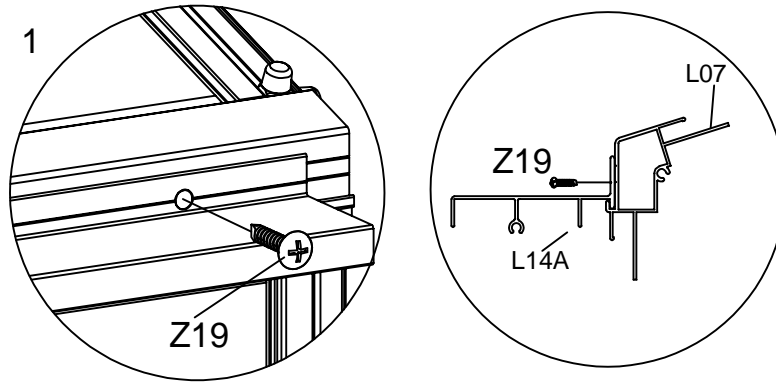


Insert panel Y5 into positions and fix L02C to L06 & L07.

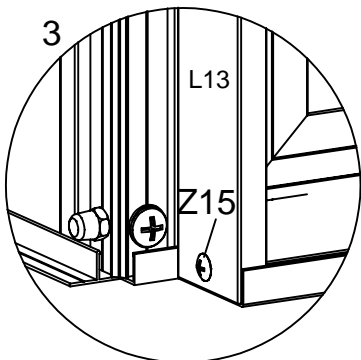
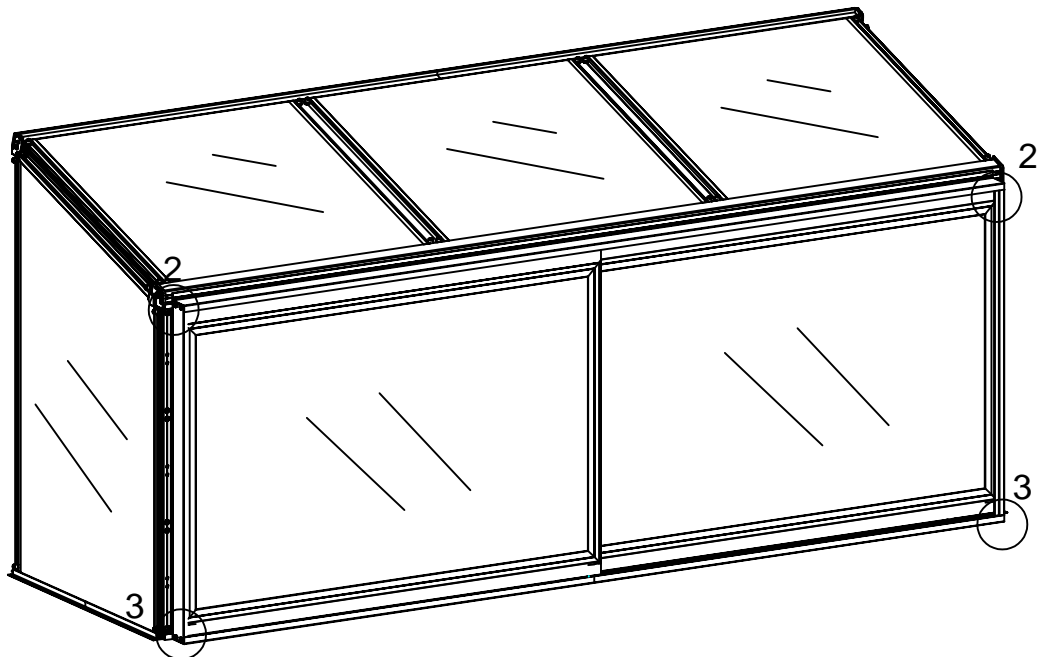
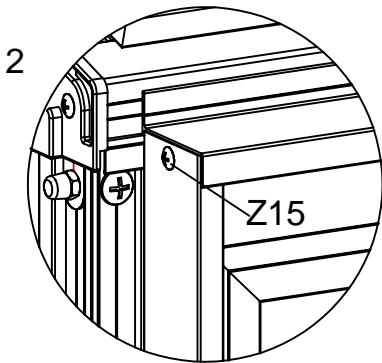


PART	NO	QTY
	L14A	1
	L13	2
	Z15	4
	Ø4X12D	
	Door	2
	Z19	6
	M4.2X10	

Fix L14A onto L07, using Z19.

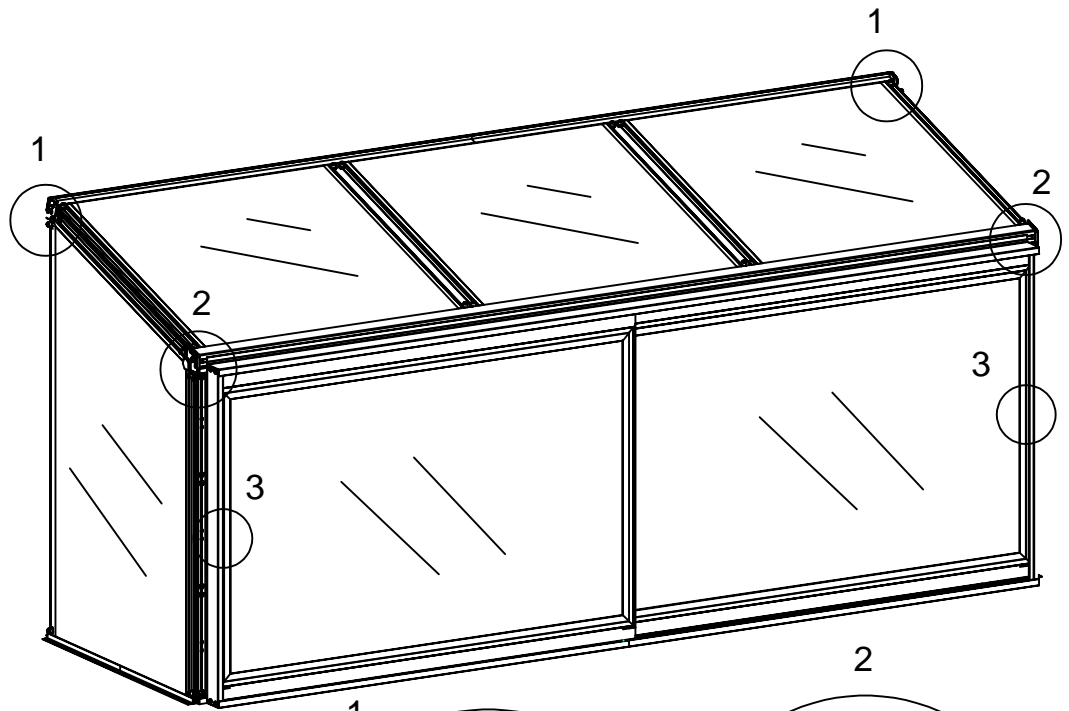


Slide both Doors into the track as shown.

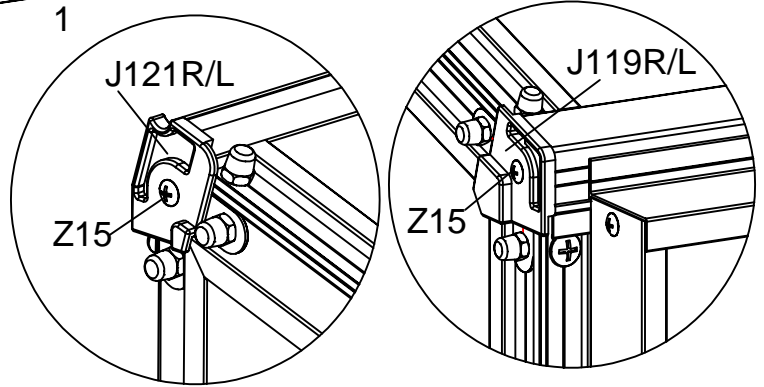


Fix L13 to L10A and L07, using Z15.

PART	NO	QTY
	D117	2
	S36	2
	M4X6	
	M16	2
	M4	
	S35	4
	M6X10	
	M14	4
	M6	
	H78-1	4
	H78-2	4
	J121L	1
	J121R	1
	J119L	1
	J119R	1
	Z15	4
	Ø4X12D	

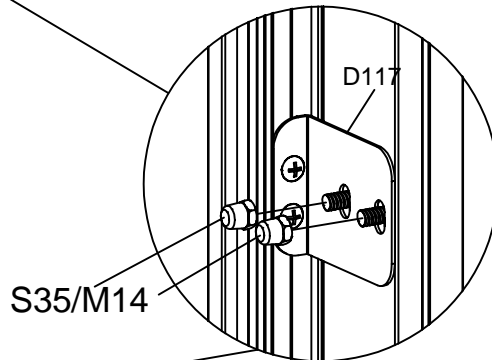
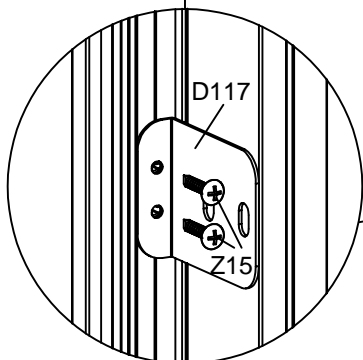
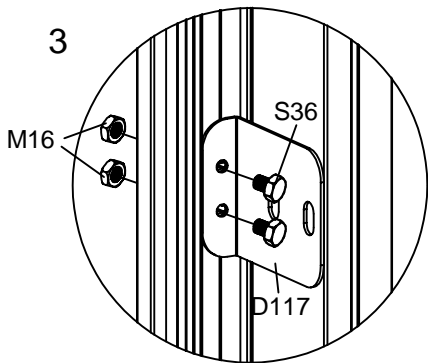
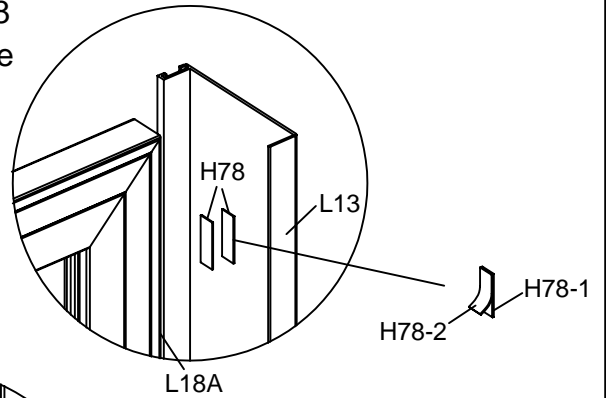


Fix parts J119R/L & J121R/L, using Z15.



Put each magnetic sticker H78 onto each L18A and L13 at the matching position so that the door can close tightly.

\*Make sure the stickers don't cover the holes on L13.



Loosen the existing Z15, and fix D117 bracket to L13 & L01A using the same Z15 and S35 & M14.

## Contact information

### Head office:

Dancover A/S  
Lyngevej 16A, Nørre Herlev  
3400 Hillerød  
Denmark

For more information  
please visit:

[www.dancovershop.com](http://www.dancovershop.com)

## National contact

### Denmark:

[denmark@dancover.com](mailto:denmark@dancover.com)

### UK:

[uk@dancover.com](mailto:uk@dancover.com)

### Germany:

[germany@dancover.com](mailto:germany@dancover.com)

### France:

[france@dancover.com](mailto:france@dancover.com)

### Sweden:

[sverige@dancover.com](mailto:sverige@dancover.com)

### Finland:

[suomi@dancover.com](mailto:suomi@dancover.com)

### Poland:

[polska@dancover.com](mailto:polska@dancover.com)

### Luxembourg:

[luxembourg@dancover.com](mailto:luxembourg@dancover.com)

### Portugal:

[portugal@dancover.com](mailto:portugal@dancover.com)

### Spain:

[espana@dancover.com](mailto:espana@dancover.com)

### Italy:

[italia@dancover.com](mailto:italia@dancover.com)

### Switzerland:

[schweiz@dancover.com](mailto:schweiz@dancover.com)

### Austria:

[austria@dancover.com](mailto:austria@dancover.com)

### Norway:

[norge@dancover.com](mailto:norge@dancover.com)

### Nederland:

[nederland@dancover.com](mailto:nederland@dancover.com)

### Ireland:

[ireland@dancover.com](mailto:ireland@dancover.com)

### Belgium:

[belgique@dancover.com](mailto:belgique@dancover.com)