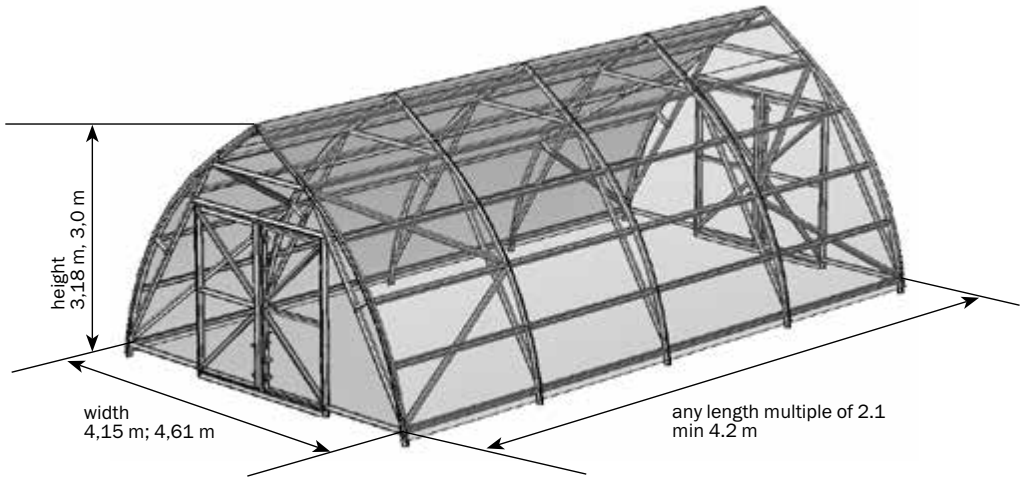


**DANCOVER<sup>®</sup>**

**.com**

Manual  
for  
Greenhouse  
TITAN Peak 240 4,2





### Description

The "TITAN Peak 240" greenhouse is designed and manufactured in accordance with SNiP 2.10.04-85 and generally intended for industrial cultivation of crops at farms and peasant holdings.

Width of the greenhouse is 4.15 m, 4.61 m. Area of covered ground depends on the length of the greenhouse and for minimal length of 4.2 m is 17m<sup>2</sup>, 18.9 m<sup>2</sup>. Height of the installed frame is 3m, 3.18m.

The frame of the greenhouse is made of galvanized iron 1 mm thick and is to be assembled with screws, nuts and washers.

The greenhouse is fixed on the ground without foundation by digging special frame endings or on a fundament using cleater angles. The type of fixing is determined by a buyer.

The greenhouse may be completed with covering on buyer's request.

Number of small windows is conformed to a buyer.

**Table 1 COMPLETION WITH PACKAGES, PCS**

L greenhouse length, m	N - number of greenhouse sections, excluding	FRAME (basic length 4,2 m)										INSERT (frame extension for 2,1 m)							
		1 TITAN Peak 240 Package	2 TITAN Peak 240 Package	3 TITAN Peak 240 Package	4 TITAN Peak 240 Package	5 TITAN Peak 240 Package	6 TITAN Peak 240 Package	7 TITAN Peak 240 Package	8 TITAN Peak 240 Package	9 TITAN Peak 240 Package	10 TITAN Peak 240 Package	EXTRA PACKAGE	1 INSERT PACKAGE	2 INSERT PACKAGE	3 INSERT PACKAGE	4 INSERT PACKAGE	5 INSERT PACKAGE	6 INSERT PACKAGE	EXTRA PACKAGE
4,2	0																		
6,3	1																		
8,5	2																		
10,6	3																		
12,7	4																		
14,9	5	3	3	2	2	3	2	2	4	1	1	1							
17,0	6																		
19,1	7																		
21,2	8																		
23,4	9																		
2,1(N+2)																			

**Table 2 PARAMETERS OF PACKAGES**

content	dimensions,mm	weight, no more kg
<b>FRAME (BASE LENGTH 4.2 M)</b>		
1 PACKAGE TITAN Peak 240 (arc elements)	3010x85x50	7,5
2 PACKAGE TITAN Peak 240 (power arc straight elements)	2730x85x75	10,1
3 PACKAGE TITAN Peak 240 (end runners elements )	1990x85x105	30,0
4 PACKAGE TITAN Peak 240 (end side brace elements)	2360x85x85	12,0
5 PACKAGE TITAN Peak 240 (power arc elements)	1410x85x60	4,5
6 PACKAGE TITAN Peak 240 (doorway elements)	2055x85x70	12,5
7 PACKAGE TITAN Peak 240 (end elements)	2085x85x60	6,3
8 PACKAGE TITAN Peak 240 (elements and strips for doors)	1880x120x85	13,5
9 PACKAGE TITAN Peak 240 (fixtures, component parts and seal)	325x325x330	14,5
10 PACKAGE TITAN Peak 240 (outermost ridge)	2122x126x45	5,0
Extra package base		
<b>INSERT (2.1 M FRAME ELONGATION)</b>		
1 PACKAGE INSERT (arc elements)	3000x85x50	7,5
2 PACKAGE INSERT (power arc straight elements)	2730x85x70	10,8
3 PACKAGE INSERT (runners elements)	2080x85x115	30,5
4 PACKAGE INSERT (power arc elements)	1505x85x55	4,2
5 PACKAGE INSERT (fixtures and component parts for Insert)	120x120x50	1,7
6 PACKAGE INSERT (ridge)	2156x126x45	5,0
Extra package insert		

**Table 3 DETAILED PARTS LIST "FRAME" (4.2 M)**

marking	name	quantity (pcs)	length (m)
<b>1 PACKAGE TITAN Peak 240</b>			
4	Arc	2	3,08
<b>2 PACKAGE TITAN Peak 240</b>			
5H	End arc strainer	2	2,72
7M	Radial strainer	2	0,3
1	Foundation stay brace	2	0,84
3	Support	2	0,3
<b>3 PACKAGE TITAN Peak 240</b>			
2к	End runner	8	1,99
2кн	Bottom end runner	4	1,99
<b>4 PACKAGE TITAN Peak 240</b>			
укоc	Longitudinal stiffness side brace	4	2,36
<b>5 PACKAGE TITAN Peak 240</b>			
21	Strainer of a ridge girder	1	1,41/1,5
20	Ridge girder	2	1,0

Table 3 DETAILED PARTS LIST "FRAME" (4.2 M)			
marking	name	quantity (pcs)	length (m)
<b>6 PACKAGE TITAN Peak 240</b>			
<b>9</b>	Stay brace	2	1,98
<b>10ц</b>	Central strainer	1	2,06
<b>1</b>	Foundation stay brace	2	0,84
<b>3</b>	Support	2	0,3
<b>П12Д</b>	Strip of a doorway stay brace	2	1,9
<b>7 PACKAGE TITAN Peak 240</b>			
<b>22</b>	Upper cleat	1	2,09/2,16
<b>26</b>	Lateral strainer	2	1,03/1,26
<b>П22</b>	Strip of an upper cleat	1	1,99/2,0
<b>8 PACKAGE TITAN Peak 240</b>			
<b>13д</b>	Cleat	2	0,95
<b>13дн</b>	Bottom cleat	1	0,95
<b>12дл</b>	Left stay brace	1	1,88
<b>12дп</b>	Right stay brace	1	1,88
<b>14д</b>	Diagonal	2	1,23
<b>П12дп</b>	Strip of a right stay brace	1	1,88
<b>П13дн</b>	Strip of a bottom cleat	1	0,95
<b>16к</b>	Guiding bracket	4	0,084
	Hasp	2	0,3
<b>9 PACKAGE TITAN Peak 240</b>			
	Bolt M6x14 DIN 933	658	
	Bolt M6x20DIN 933	74	
	Nut M6 DIN 934	956	
	Bracket 26x17x16 (angle)	184	
	Hanger	12	
	Hinge ПН 1-130 left	4	
	Hinge ПН 1-130 right	4	
	Straight lug 40x90	4	
	Pull PC-80-2	4	
	Washer 6	692	
	Washer 6,3	184	
	Screw M6x10 DIN 965	224	
	Self-driving screw M5x22	184	
	Penofol	1	11,5
	Door seal	1	19
	End seal	1	16
<b>10 PACKAGE TITAN Peak 240</b>			
	Outermost ridge	2	2,1

Extra package base			
	Ridge shape	2	2,10
	Top draw band	3	6,76
	Bottom draw band	6	0,60
	Top arc base sheet	2	0,83
	Bottom arc base sheet	2	2,91
	Outermost base sheet for a runner	4	1,95
	Tingle	18	0,09
	Outermost shape	4	2,10
	Washer 32x6	24	
	Bolt M6x14	50	
	Bolt M6x20	24	
	Bolt M6x60	6	
	Nut M6	80	
	Washer 6	86	
	Double-size scotch tape	2	5 м

Table 4 DETAILED PARTS LIST "INSERT"			
marking	name	quantity (pcs)	length (m)
<b>1 PACKAGE INSERT</b>			
<b>4</b>	Arc	2	3,1
<b>2 PACKAGE INSERT</b>			
<b>5</b>	Arc strainer	2	2,72
<b>7м</b>	Radial strainer	2	0,3
<b>1</b>	Foundation stay brace	2	0,84
<b>3</b>	Support	2	0,3
<b>3 PACKAGE INSERT</b>			
<b>2</b>	Main runner	8	2,1
<b>2н</b>	Bottom main runner	4	2,1
<b>4 PACKAGE INSERT</b>			
<b>21</b>	Strainer of a ridge girder	1	1,41
<b>20</b>	Ridge girder	2	1,0
<b>5 PACKAGE INSERT</b>			
	Nut M6x14 DIN 933	86	
	Nut M6x20DIN 933	44	
	Nut M6 DIN 934	130	
	Washer 6	122	
	Washer 6,3	30	
<b>6 PACKAGE INSERT</b>			
	Ridge	1	2,2

Extra package insert			
Ridge shape	1	2,10	
Top draw band	1	6,76	
Bottom draw band	2	0,60	
Top arc base sheet	2	0,83	
Bottom arc base sheet	2	2,91	
Outermost base sheet for a runner	2	2,04	
Tingle	18	0,09	
Main shape	2	2,10	
Washer 32x6	12		
Bolt M6x14	32		
Bolt M6x20	12		
Bolt M6x60	2		
Nut M6	46		
Washer 6	48		
Double-size scotch tape	1		5 M

### WARRANTY LIABILITIES



**It is not allowed to install the greenhouse without fastening on the ground because of the large sail area of the greenhouse and the possibility of floating away the unfastened greenhouse.**

1. The manufacturer bears responsibility for the greenhouse frame complete setup.
2. The manufacturer bears responsibility for the greenhouse assemblability in accordance with the manual.
3. The manufacturer bears responsibility for the greenhouse durability under specified magnitude of atmospheric actions.
4. Claim presentation period is 12 months from the date of purchase.

### Warranty conditions

Warranty liabilities do not apply to cases of:

1. Greenhouse installation with violation of requirements of the manual.
2. Violation of the rules of operation.
3. Inappropriate use of the greenhouse.
4. Floods, hurricanes and other natural disasters.

The manufacturer reserves the right for greenhouse engineering design changes.

## RULES OF OPERATION

The greenhouse should be serviced in the winter period. The greenhouse has durability under the action of snow loads way more than is required for greenhouses, but less for some snow areas in comparison with the general construction standards. According to SNiP 2.10.04-85 «Greenhouses and seedbeds» «weight of snow blanket on 1 m<sup>2</sup> of horizontal surface of the ground in design of static greenhouses...» should be taken from 10 to 40 kg/m<sup>2</sup> depending on a snow region. This is much less than the general construction standards for snow load, because it is assumed that on the current greenhouses a snowcap is not preserved until the next snowfall. According to the results of strength tests the limits of durability of the greenhouse frame are revealed: destroying snow load is 240 kg/m<sup>2</sup>, permissible load (with safety coefficient 1.4) – 180 kg/m<sup>2</sup>. The permissible load approximately corresponds to the thickness of fresh snow 0.9 m and settled snow 0.45 m. Thus, in operation it is necessary to prevent accumulation of snowcaps above specified limits.

If the greenhouse is not heated in winter, or it is supposed to use the greenhouse as an unheated housing, awning, warehouse, etc., it is necessary to control the snowcap (to shift the snow down with a wooden or plastic scraper, installed on a pole). For these variants of operation it is possible to supply reinforced frames with a reduced interval between the power arcs under the snow load specified by the customer.

Do not allow damage to the frame, and if it happened, then hold timely repairs.

### Cleaning and washing of polycarbonate sheets.

1. Rinse sheet with warm water.
2. To remove dirt, wash it with mild soap solution or domestic detergent using a soft cloth or sponge.
3. To remove water, rinse the sheet with cold water and wipe it with a soft cloth.



Never use abrasives or high-alkali detergents for cleaning polycarbonate sheets. Dry wiping damages covering layer of the covering and shortens its service life. Never rub surface of polycarbonate sheets with a brush, metalized fabric or other abrasive materials.



Do not use sulphur cartridges for disinfecting greenhouse against fungal and bacterial agents in order to prevent corrosion (darkening) of the frame.

## “TITAN Peak 240” GREENHOUSE INSTALLATION MANUAL

### Introduction

- The general view of the frame is presented in **fig. 1**. The frame is assembled from the shape numbered parts. Medium shape shelves are facing the covering..

Indexes:

- м** - small;  
**б** - big;  
**к** - outermost (along the length of greenhouse);  
**н** - bottom;  
**ц** - central;  
**д** – a door;  
**п** - right;  
**л** - left;  
**п** - a strip;  
 → - the arrow indicates installation direction according to manuals' schemes.



Some parts have free holes resulted from uniformity of parts.



Do not break the instructions! Do not install bolts with nuts without washers, for this leads to strength reduction of the frame

Terminology:

- Left** side is from the left when standing outside of the greenhouse in front of the door.  
**Right** side is from the right when standing outside of the greenhouse in front of the door.
- Assembly units are lettered and shown in figures. The greenhouse is assembled by means of bolts of M6, nuts, washers, screws, etc. Joints are accomplished by overlapping of details and by fastening across the holes. Install bolts, nuts and washers in all places indicated in the instruction.
- The greenhouse assembly is presented in stages, at each stage the assembly units «before» and «after» are shown. The figures of the units do not show the nuts with washers that are installed from the inside of the shape.
- When assembling, be careful not to damage parts since they are not rigid enough until they are fully assembled.  
**Use additional tools to assemble:**
  - a wrench 10;
  - a screwdriver
  - a drill with a borer 6.5;
  - a stepladder 3m high;
  - a fret saw;
  - a knife.

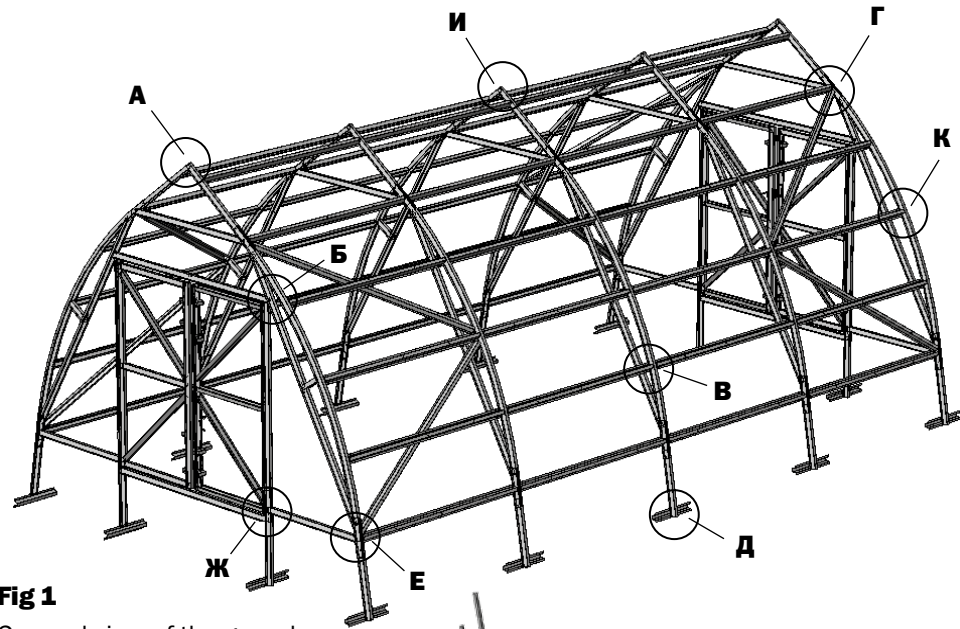


**Be careful while assembling! Parts have sharp angles. Avoid hand cuts! Work in protective gloves.**

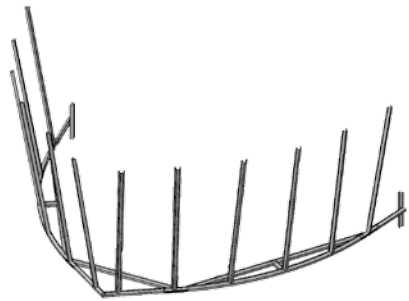
## INSTALLATION SEQUENCE

Stage	name	page
<b>1</b>	<b>End wall assembly</b>	12-13
<b>2</b>	<b>Installation of runners on the end wall</b>	13
<b>3</b>	<b>Power arc assembly</b>	14
<b>4</b>	<b>End section assembly; end section assembly; Installation of longitudinal stiffness side braces on the end section</b>	14
<b>5</b>	<b>End section installation</b>	15
<b>6</b>	<b>Extension of the frame length by the insert</b>	16
<b>7</b>	<b>Doors assembly</b>	17-19
<b>8</b>	<b>Installation of covering and seals</b>	20-27

**GENERAL VIEW OF THE GREENHOUSE FRAME WITH EXTENDING INSERTS**

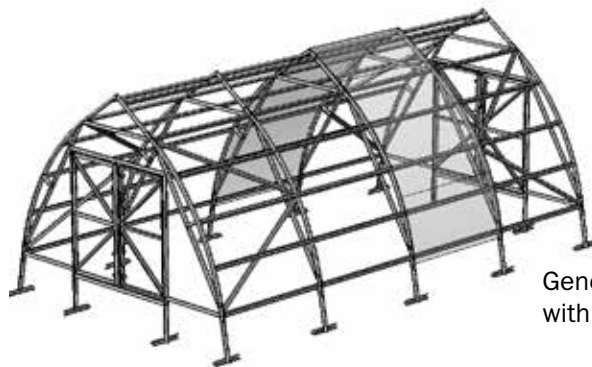


**Fig 1**  
General view of the greenhouse with two inserts, total length is 8.4 m.



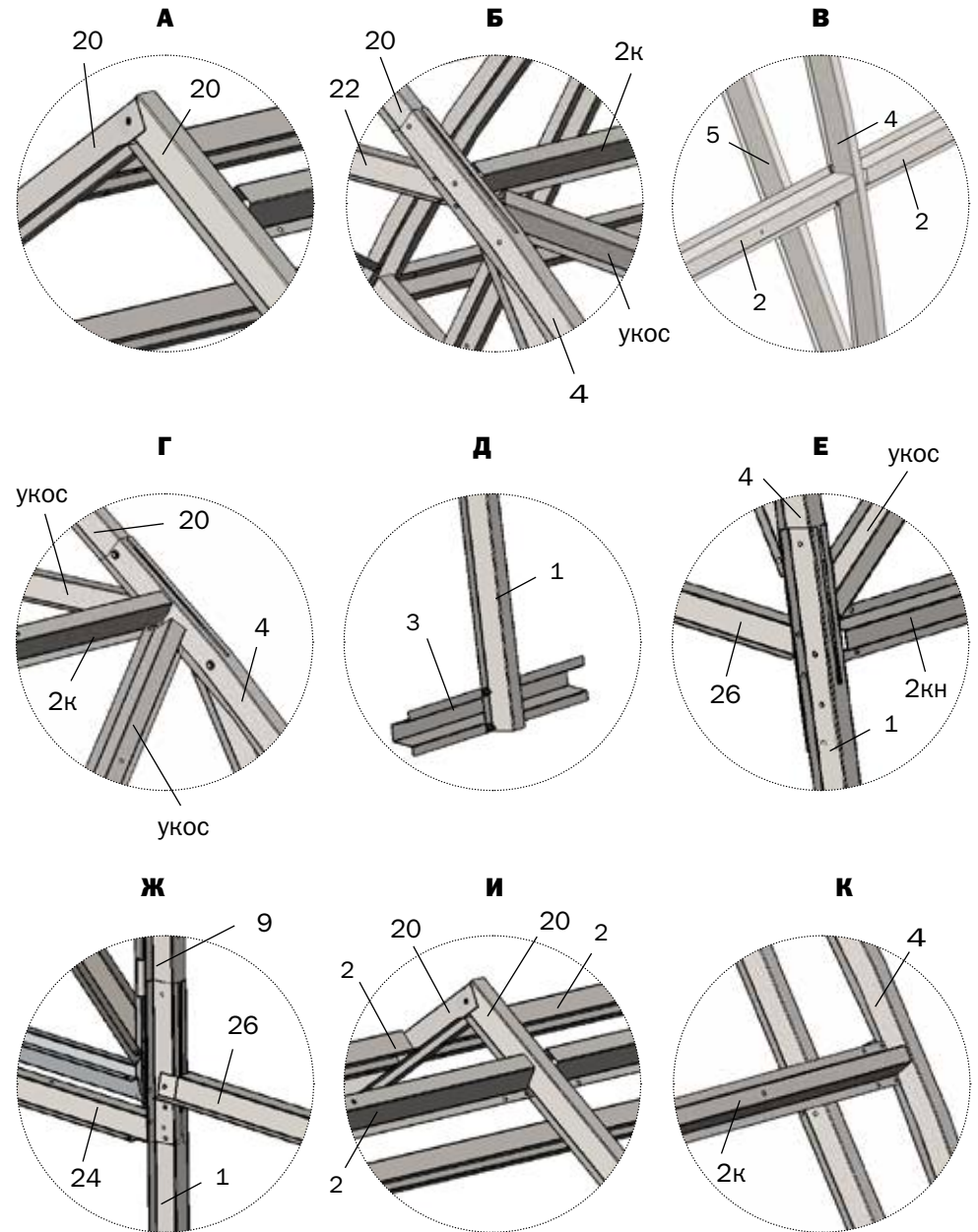
**Fig 1a**

ONE "INSERT" extends the greenhouse by 2.13 m. Number of the inserts for the greenhouse is not limited



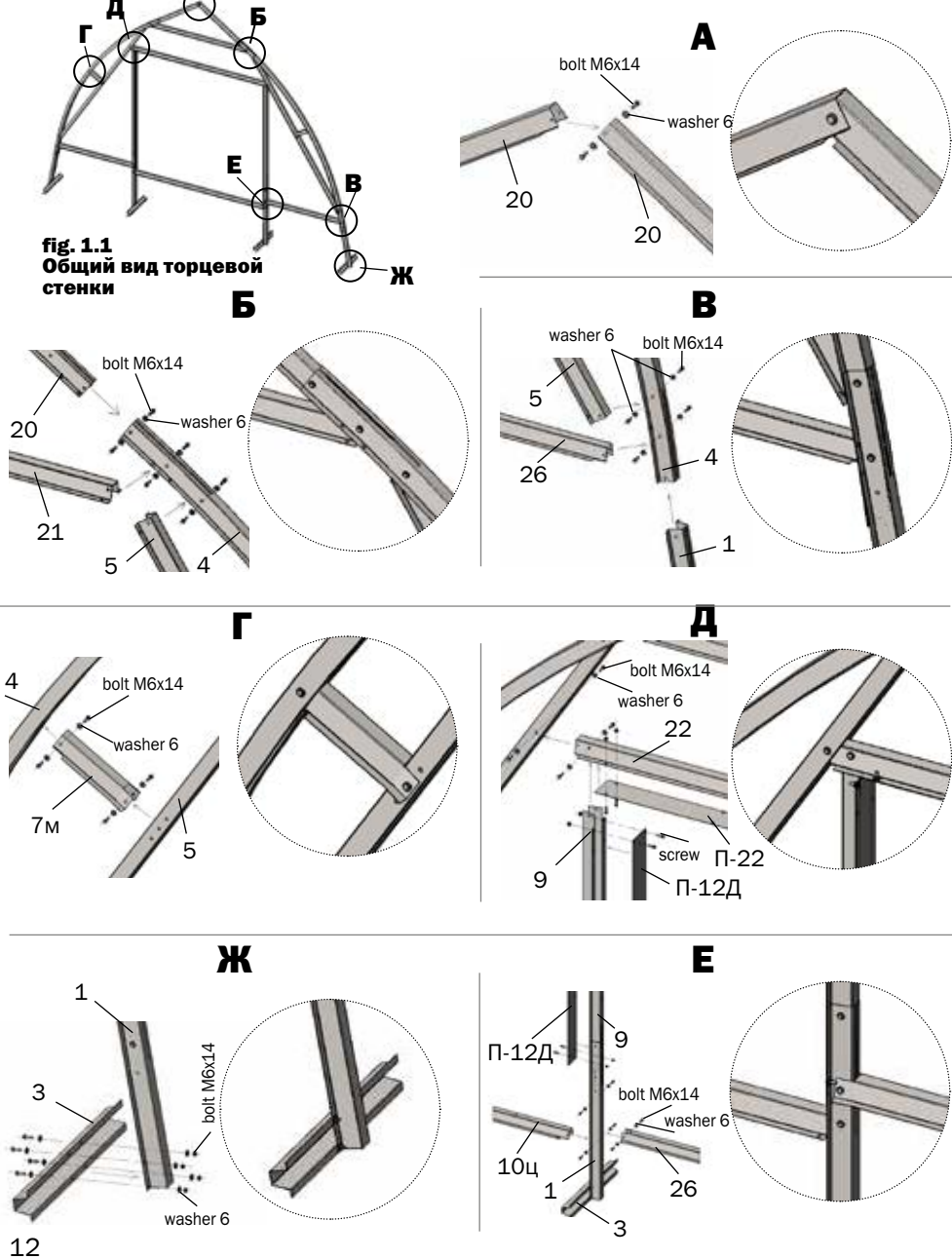
**Fig. 16**  
General view of the greenhouse with an insert.

**GENERAL VIEW OF THE GREENHOUSE FRAME WITH EXTENDING INSERTS**



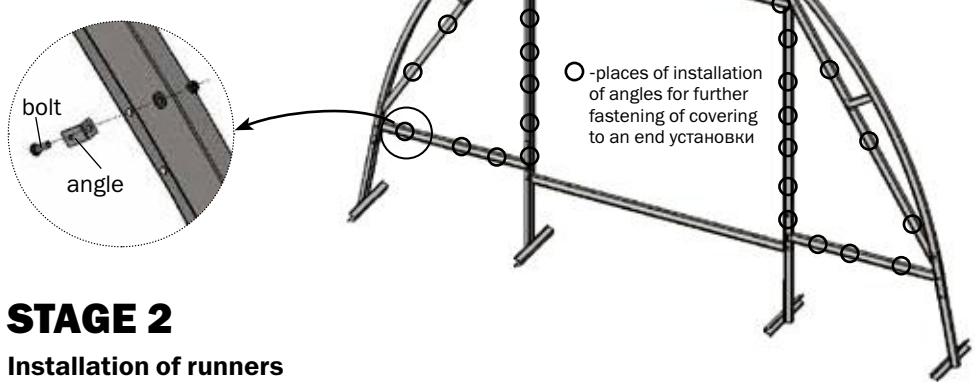
## INSTALLATION SEQUENCE

### STAGE 1 Assembly of the end wall is carried out according to the fig. 1.1..



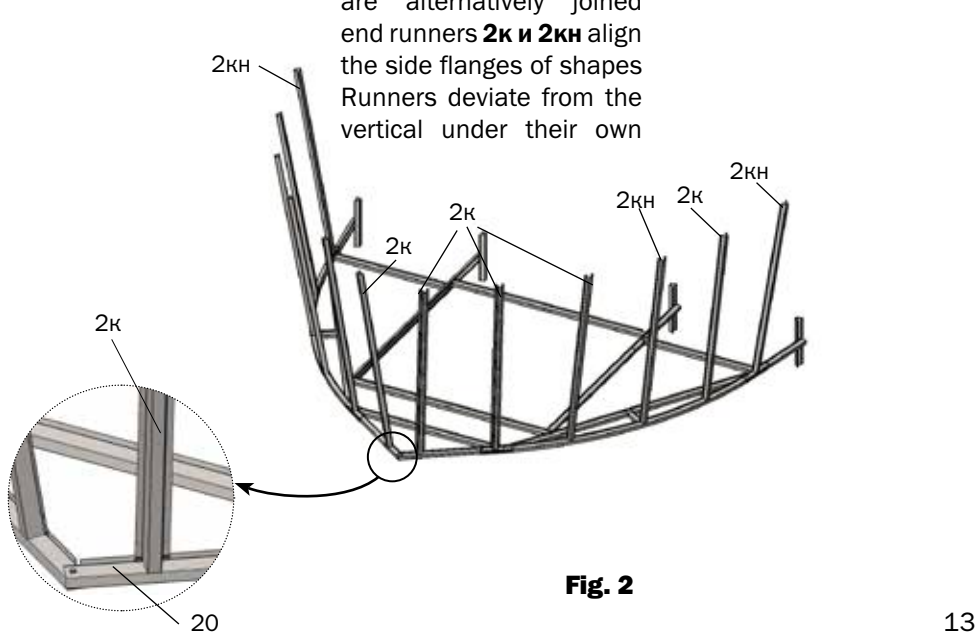
## INSTALLATION SEQUENCE

### fig. 1.8 General view of the end wall and location of the angles for fastening of polycarbonate.



### STAGE 2 Installation of runners on the end wall.

Assembly is carried out according to the fig.2. The assembled end wall is installed in the horizontal plane. To arcs 4 and girders 20 of the end wall are alternatively joined end runners 2к и 2кн align the side flanges of shapes Runners deviate from the vertical under their own weight and abut against side walls of shapes of arcs 4 (until the next operation).





## INSTALLATION SEQUENCE

**STAGE 3****Assembly of the power arc**

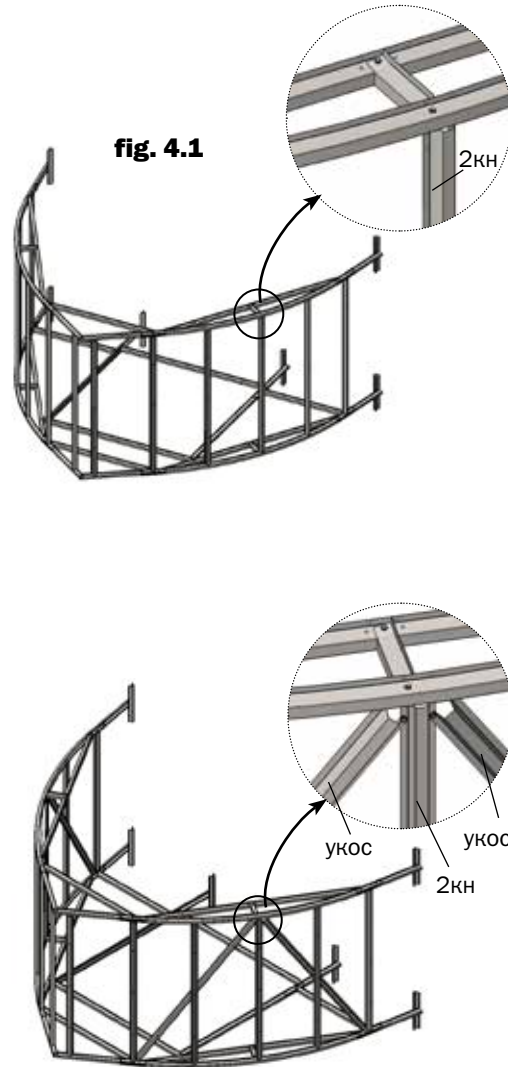
Assembly of the power arc is carried out in a horizontal plane similar to the assembly of the end wall.

**STAGE 4****End section assembly.**

Assembly is carried out according to the fig.4.1. The assembled power arc is brought to the end wall with the installed runners, is raised to the height of the end runners and joined with their upper ends.

It is recommended to connect the outermost and middle runners first. For the initial fixation of the power arc on the runners, participation of three people is required for holding of the frame.

**Fig 4.2**  
**Installation of longitudinal stiffness side braces.**



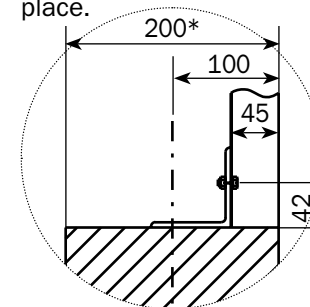
## INSTALLATION SEQUENCE

**STAGE 5****End section installation**

In the variant of installation of the greenhouse **without a foundation**, marking of axes is made on the ground in accordance with fig. 5.1 and holes 70 cm deep are dug for foundation stay braces with supports.

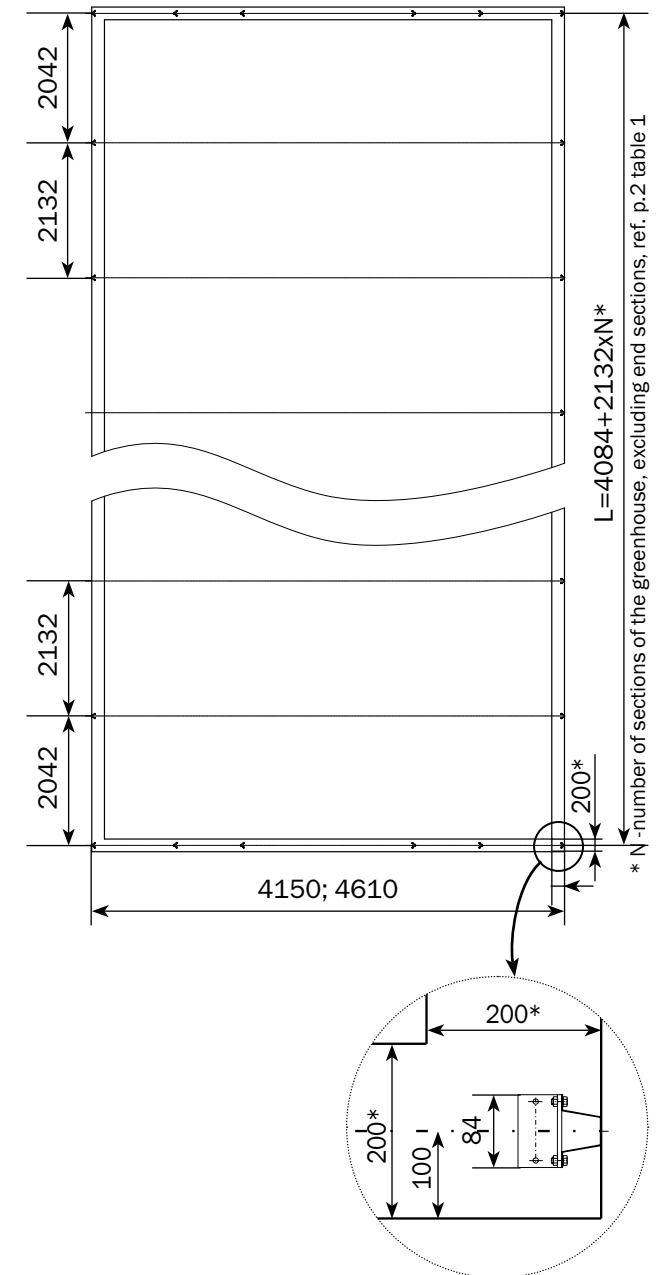
In the variant of installation of the greenhouse **on a foundation** in accordance with fig. 5.1, cleat angles are mounted to the foundation for the subsequent fastening on them bottom ends of arcs in accordance with fig. 5.2 without foundation stay braces.

The end section is lifted and placed in a vertical position on the prepared place.



**fig. 5.2**

**fig. 5.1**



INSTALLATION SEQUENCE

STAGE 6

Extension of the frame length.

Assembled power arc (or other end wall, depending on the needed length of the greenhouse) is brought to the assembled end section at the distance of the main runner and joined to it with the use of main runners **2** and **2н** align the side flanges of shapes **(fig. 6)**.

already been connected, and so on all the arcs are alternatively joined.

It is recommended to connect the outermost and middle runners first, using a stepladder. Next power arc is joined to the power arc that has

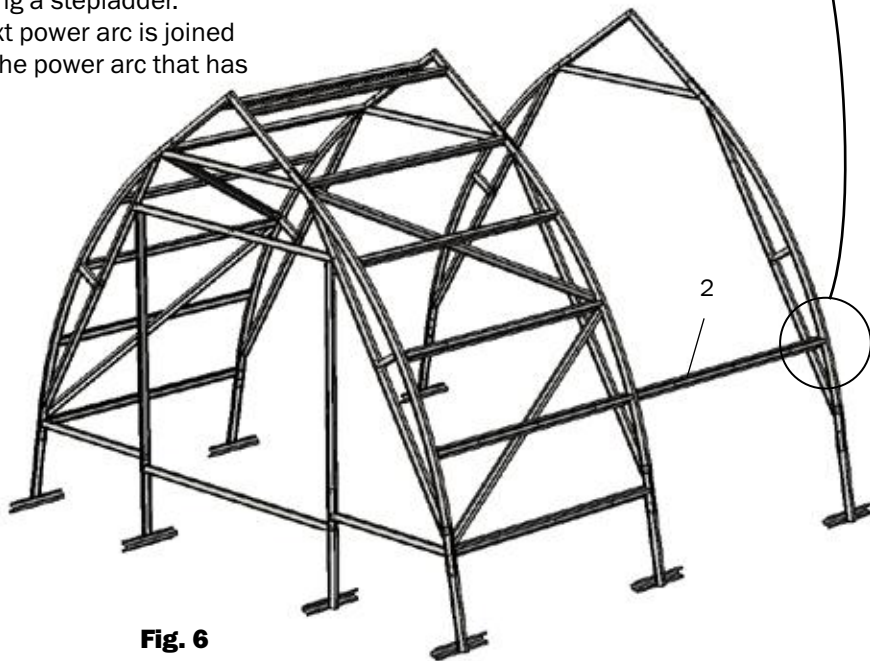


Fig. 6

DOORS ASSEMBLY

STAGE 7

Doors assembly.

Doors are assembled in the same way. Joints are shown in the figures. Strips and other surface mounted components are installed after the main shape parts have been assembled.

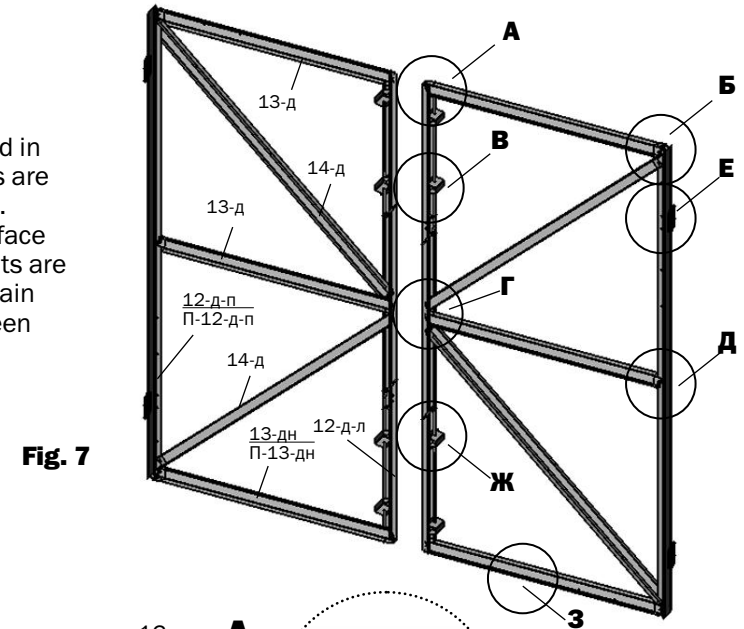
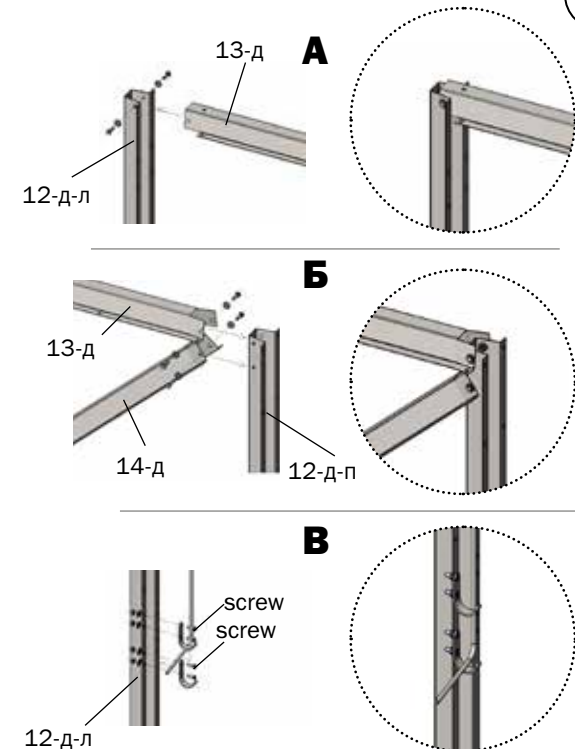
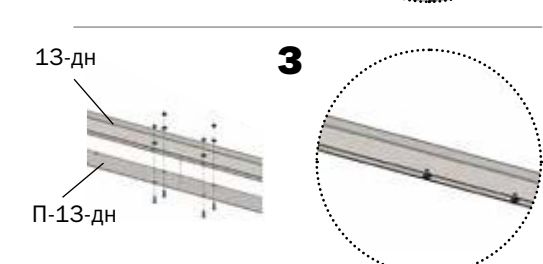
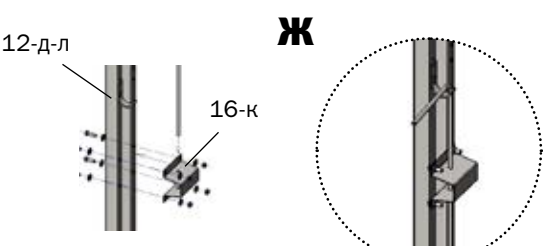
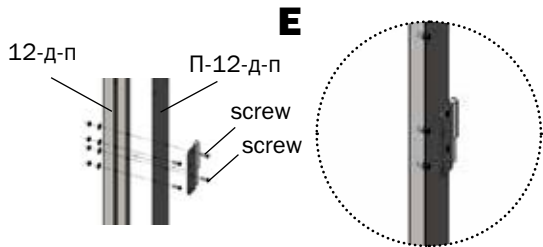
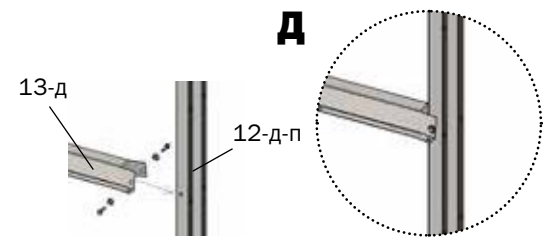
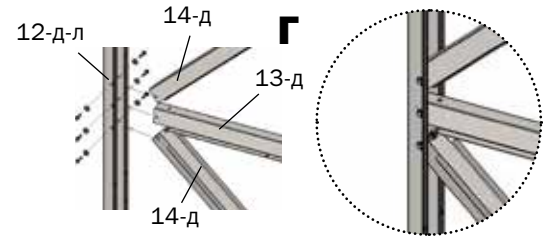


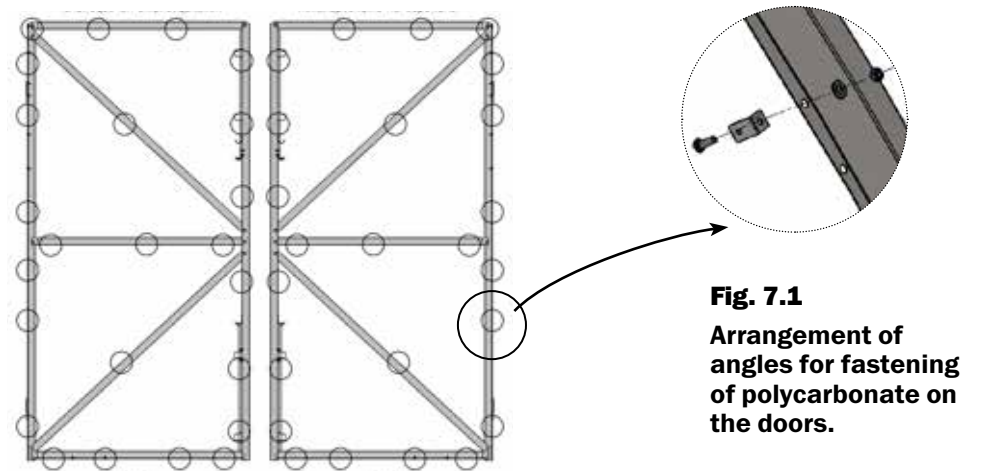
Fig. 7



**DOORS ASSEMBLY**





**DOORS ASSEMBLY**



**Fig. 7.1**  
Arrangement of angles for fastening of polycarbonate on the doors.

**STAGE 8**  
Installation of covering

 Install honeycomb polycarbonate with a specified side facing outwards (sunward); this side has a covering layer (make sure to clarify it on buying or prior to installation). Covering layer is usually placed on the side with notations on the shipping film. The film is transparent on the opposite side of a sheet. After marking the sheet but prior to cutting it, mark the side with the covering layer on each piece of the sheet: when the shipping film is removed sheet sides look the same. Shipping film shall be removed from the both sides immediately before fastening covering on the frame.

 Cut the sheets using a fret saw or a fine-pitch arm saw.

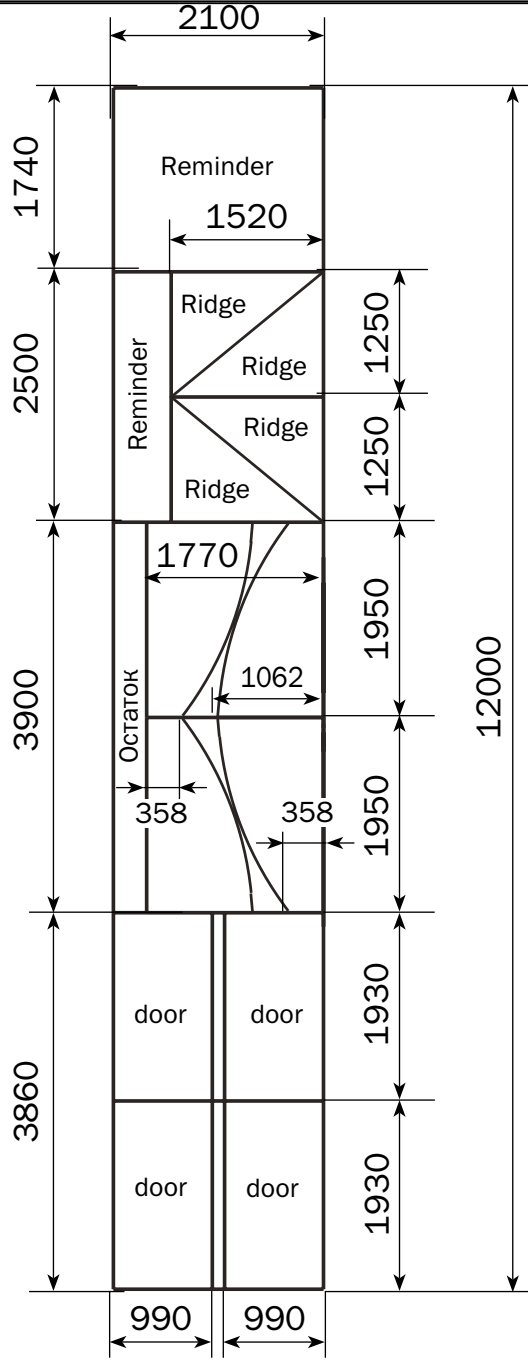
**CUTTING LIST OF COVERING OF AN END**

**CUT POLYCARBONATE SHEET IN STRICT ADHERENCE TO FIG. 10.1**  
**Honeycomb polycarbonate sheet size 2100 x 12000 mm**



**fig. 8.1**

Cutting list of covering for an end of the greenhouse 4.15 m wide.



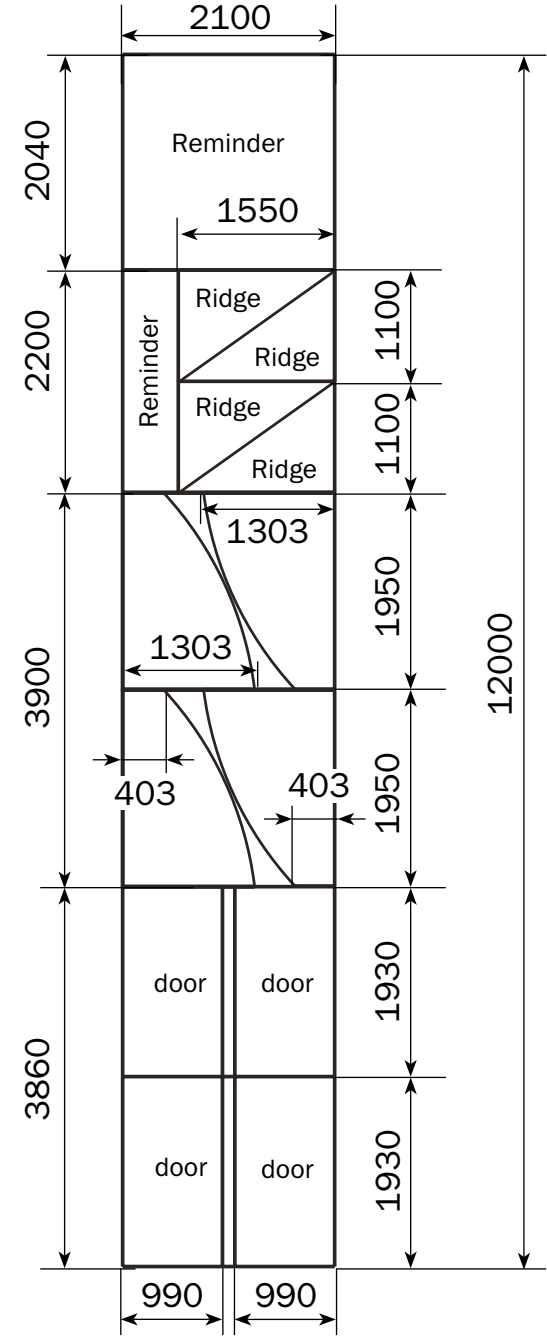
**CUTTING LIST OF COVERING OF AN END**

**CUT POLYCARBONATE SHEET IN STRICT ADHERENCE TO FIG. 10.1**  
**Honeycomb polycarbonate sheet size 2100 x 12000 mm**



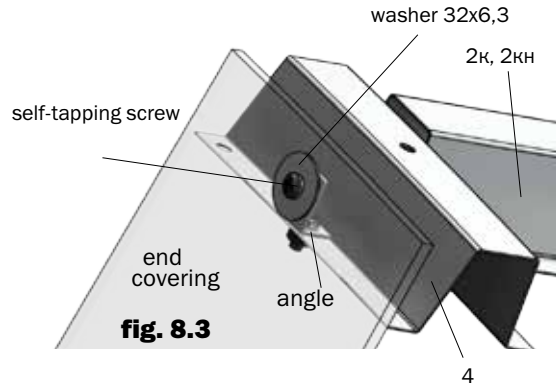
**fig. 8.2**

Cutting list of covering for an end of the greenhouse 4.6 m wide.

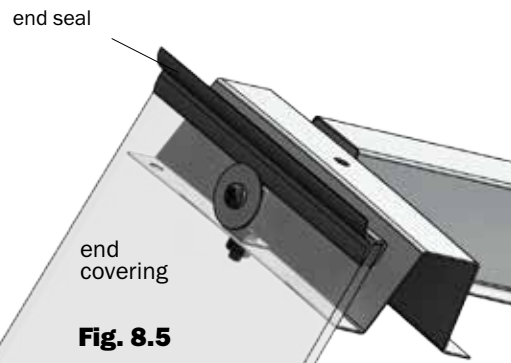
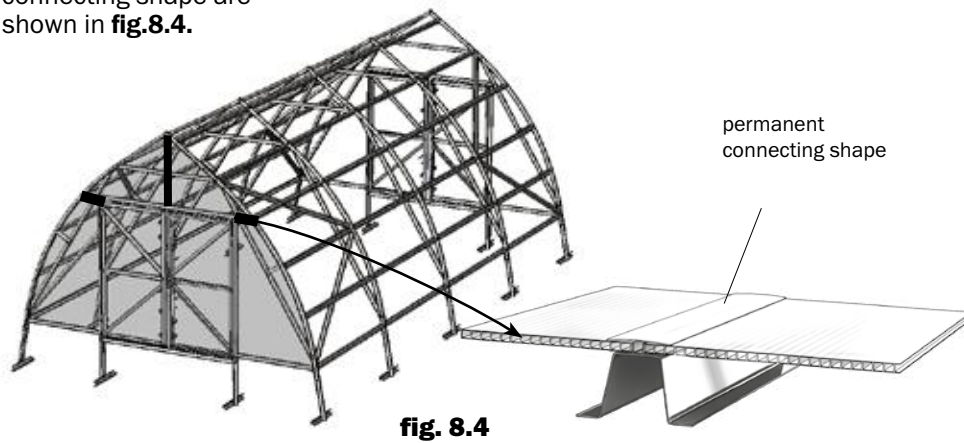


## FASTENING OF COVERING

Fasten the pieces of covering on the end to the angles with the use of washers and self-tapping screws (**fig.8.3**).



Places of fastening of pieces of covering to each other with the use of a permanent polycarbonate connecting shape are shown in **fig.8.4**.



Using a knife, adjust covering pieces to arcs 4 and girder 20, and then install sealing profile in accordance with **fig.8.5**

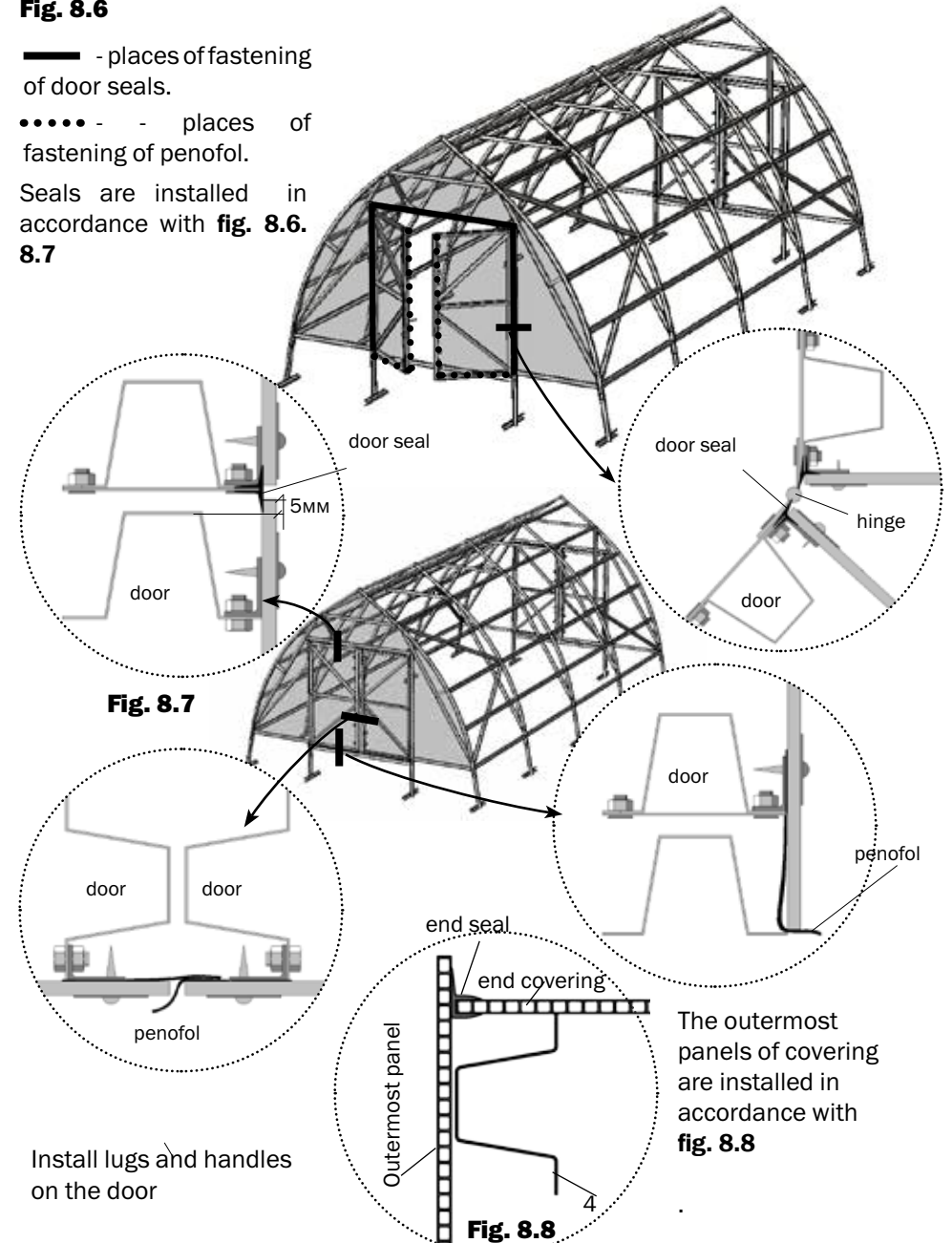
## FASTENING OF COVERING

**Fig. 8.6**

— - places of fastening of door seals.

••••• - - places of fastening of penofol.

Seals are installed in accordance with **fig. 8.6**.  
**8.7**

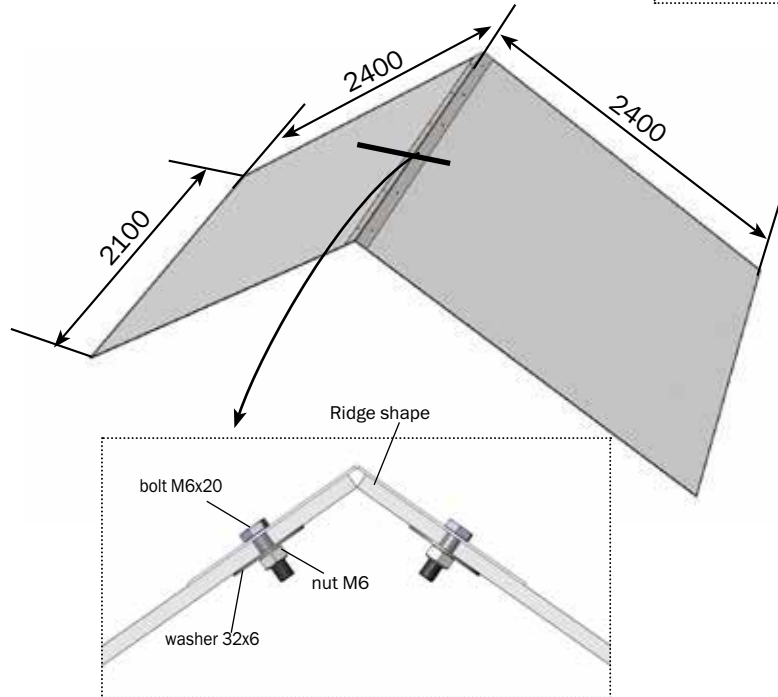
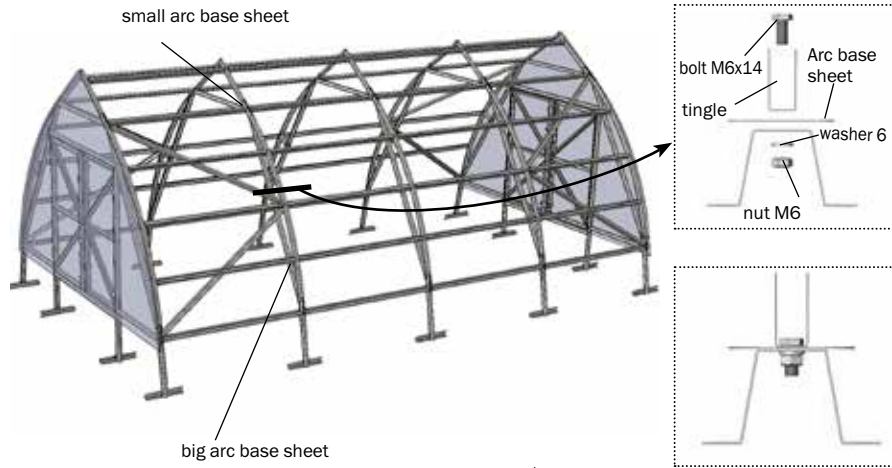


Install lugs and handles on the door

The outermost panels of covering are installed in accordance with **fig. 8.8**

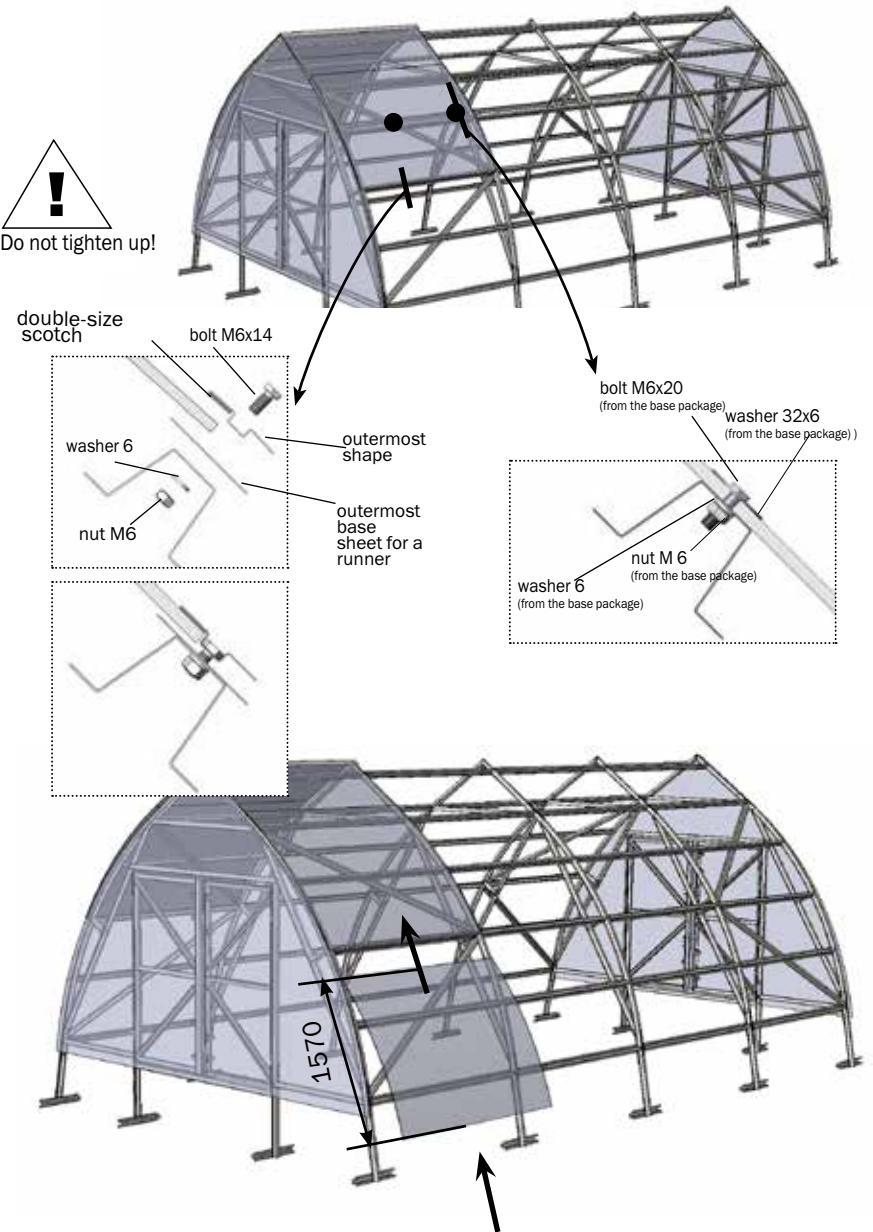
### FASTENING OF COVERING

First install all the joining plates and tingles on arcs

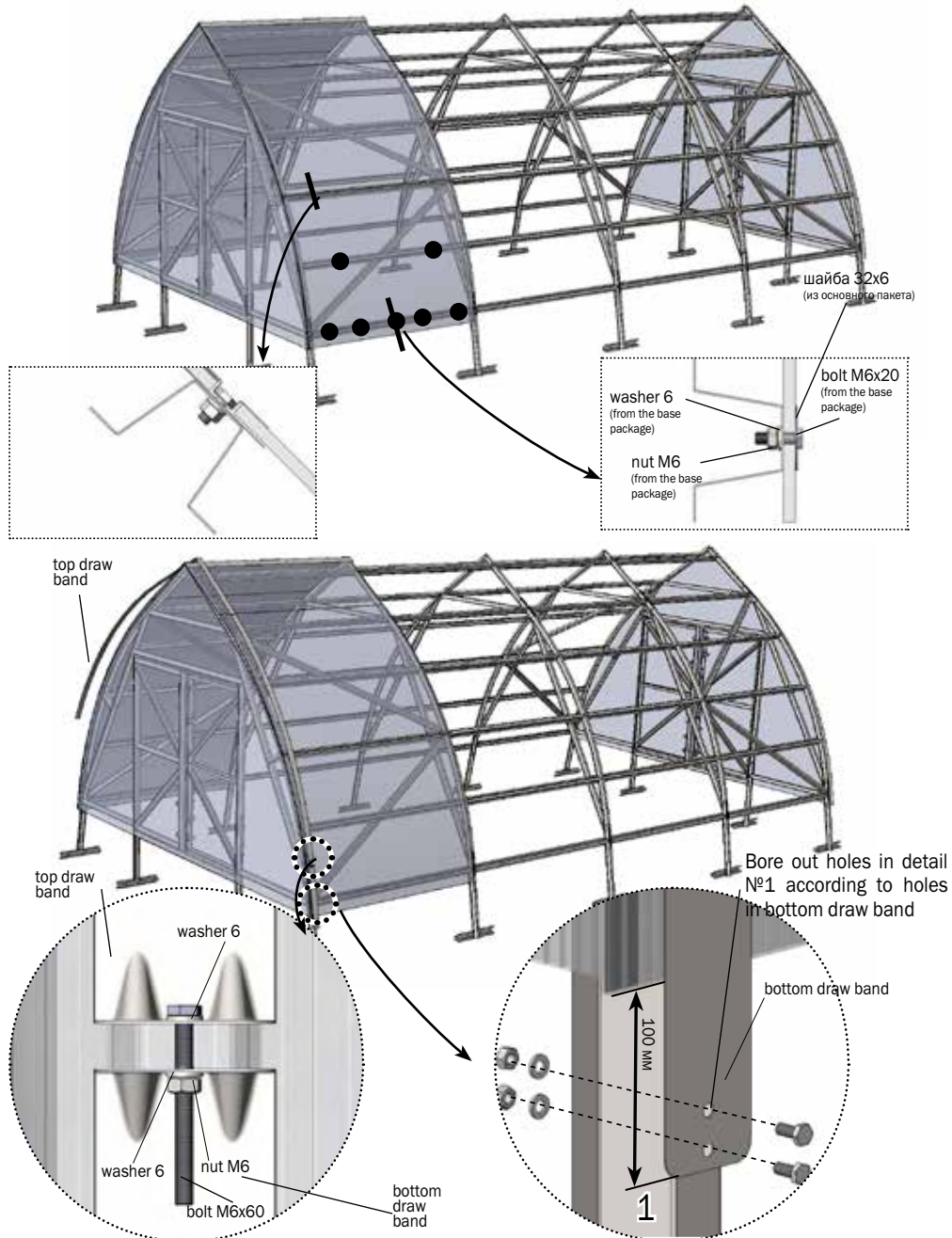


### FASTENING OF COVERING

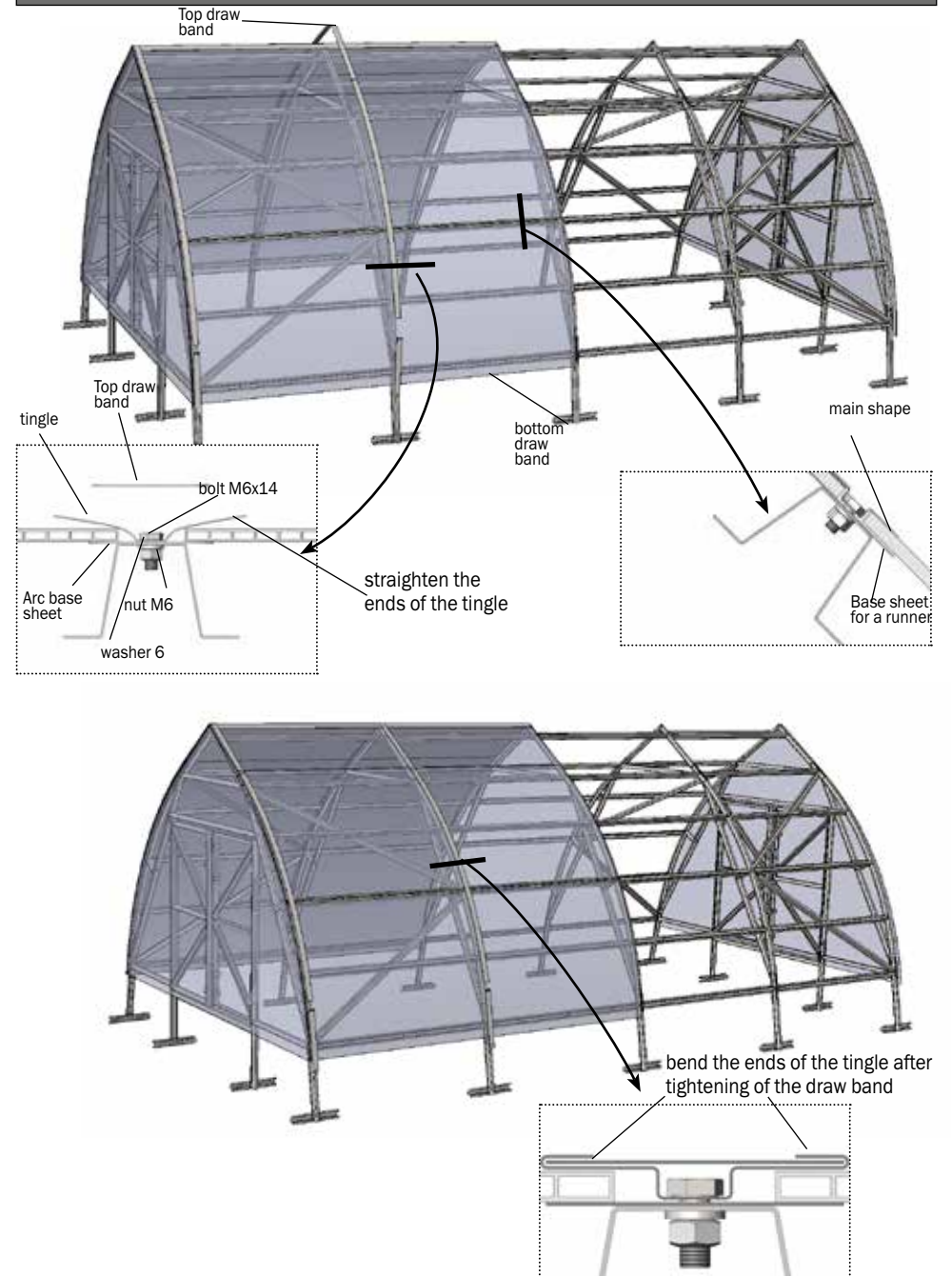
**!**  
Do not tighten up!



### FASTENING OF COVERING



### FASTENING OF COVERING



## Contact information

Austria



Belgium



Croatia



Denmark



Estonia



Finland



France



Germany



Ireland



Italy



Latvia



Lithuania



Nederland



Norway



Poland



Portugal



Spain



Sweden



Switzerland



UK

