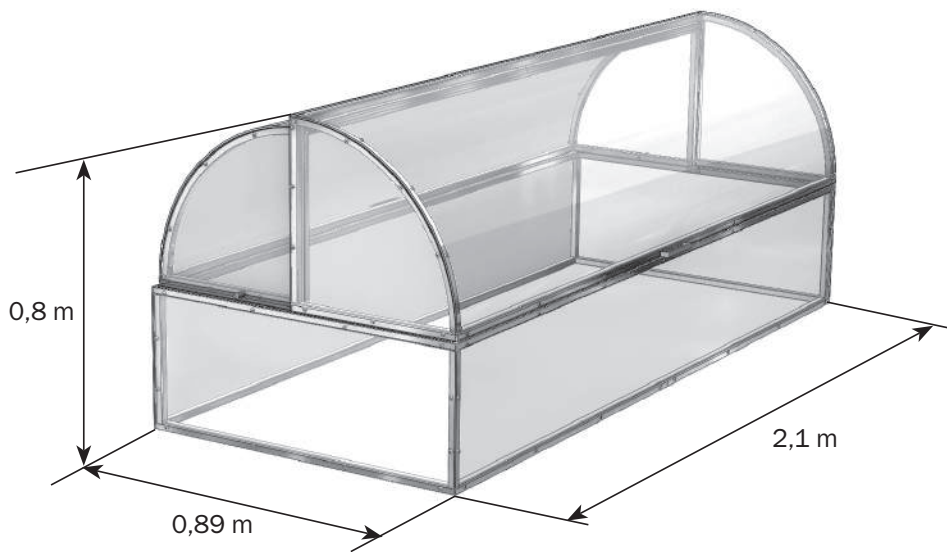


DANCOVER[®]



Manual
for
Mini Greenhouse LOTOS



! The assembly and operation of the «LOTOS» hotbed shall be carried out strictly in accordance with the instruction manual and the operating rules laid down in the data sheet. Technical data sheet shall be kept.

Description

«LOTOS» hotbed is designed to create a climate favorable for the cultivation of horticultural crops on farmlands.

Hotbed frame is made of galvanized steel tubes. Assembly is carried out using screws and nuts. Supply scope includes all the parts required to fix the cladding.

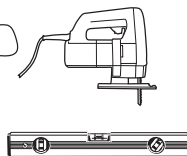
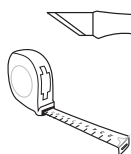
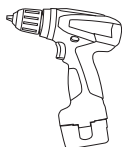
Hotbed cladding can be included in supply scope at the customer's request. Each set requires 1 2,1x3m polycarbonate sheet of 4 mm thickness.

Operation rules

before using, the hotbed should be assembled and installed in accordance with instructions. If the hotbed is installed by third parties, customer should check the assembling quality for compliance with the instructions.

Do not install a hotbed near the buildings and trees from which snow or ice can fall. Keep the recommended distance of not less than 2 m. Hotbed is designed to withstand the wind not more than 24 m/s.

There is no need to remove hotbed cladding for the winter period, but it is necessary to leave the hotbed open, with inner cover slided under the outer one



Cleaning and washing of the polycarbonate sheets.

1. Rinse the sheet with warm water.
2. wash the sheet with a solution of mild soap or household detergent and warm water, using a soft cloth or sponge to remove dirt.
3. Rinse with cold water and wipe with a soft cloth.

Never use abrasives or highly alkaline cleaning compositions for cleaning polycarbonate sheets. Dry rubbing of the surface will damage the protective layer of the cladding and shorten its shelf life. Never rub the surface of polycarbonate sheets with brushes, metallic cloth or other abrasive materials.

when disinfecting the greenhouse from pathogens causing fungal and bacterial diseases, do not use «sulfur blocks» to avoid frame corrosion (blackening).

Cellular polycarbonate shall be installed strictly defined side out (towards the sun), which has a protective layer. The protective layer is usually at the side with the inscriptions on the transport film. The film on the other side of sheet is transparent. After marking the sheet, but prior to its cutting, make a mark on the protected side of the sheet for each piece: after removal of the transport film sheet sides are not visually different. The transport film is stripped from both sides immediately before fixing the cladding on the frame.

Warranty liabilities


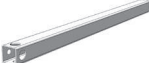
















1. the manufacturer is responsible for the completeness of the product.
2. the manufacturer is responsible for assemblability of the structure in accordance with instructions.
3. the manufacturer is responsible for the durability of structure within specified operation rules.
4. Term for making claims - 24 months from the date of purchase.









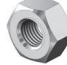









Terms of warranty liabilities

Warranty does not apply to cases of:

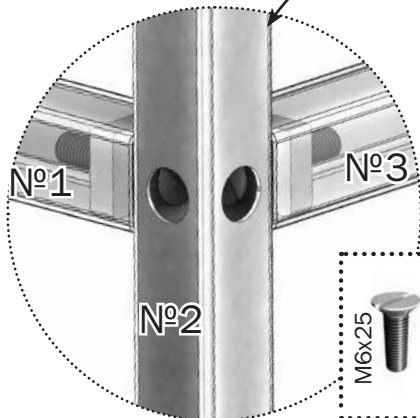
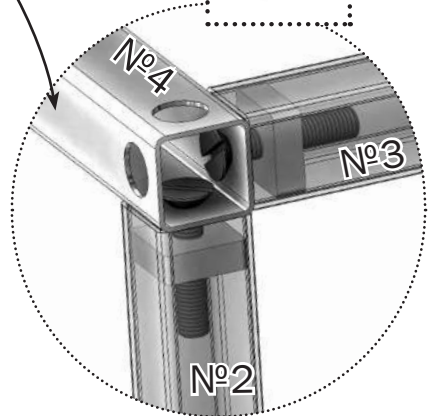
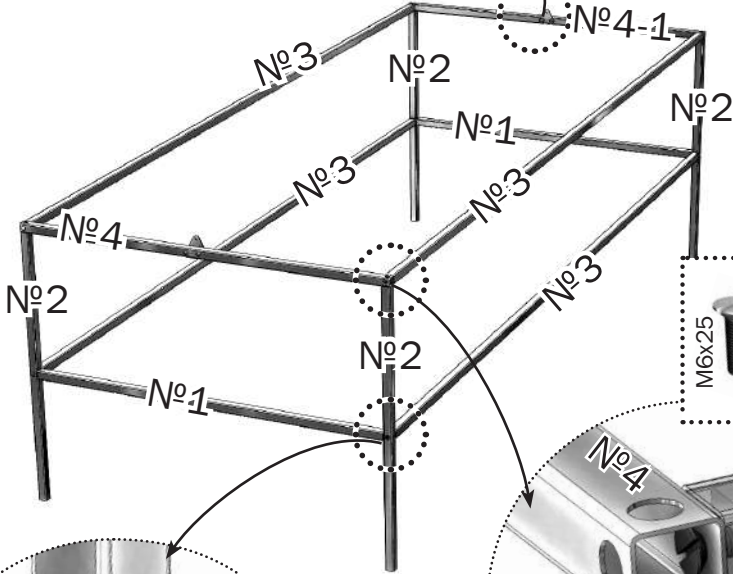
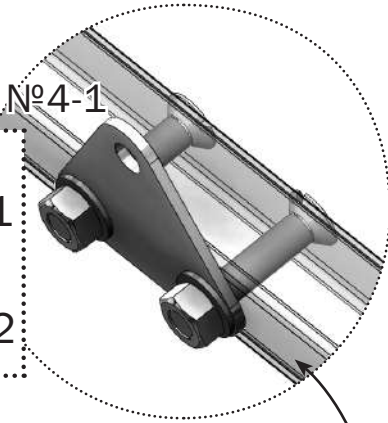
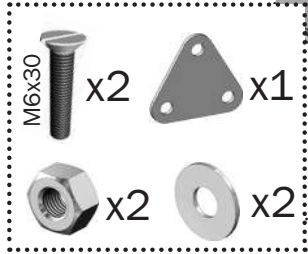
1. Structure installation in violation of instruction requirements.
2. Violation of the rules of operation.
3. inappropriate use of the structure.
4. The presence of traces of corrosion on the part edges, since it does not affect the performance characteristics of the structure.
4. Deformation of the hotbed as a result of ground movement.
5. Floods, hurricanes and other natural disasters.

The company reserves the right to make changes in the hotbed design.

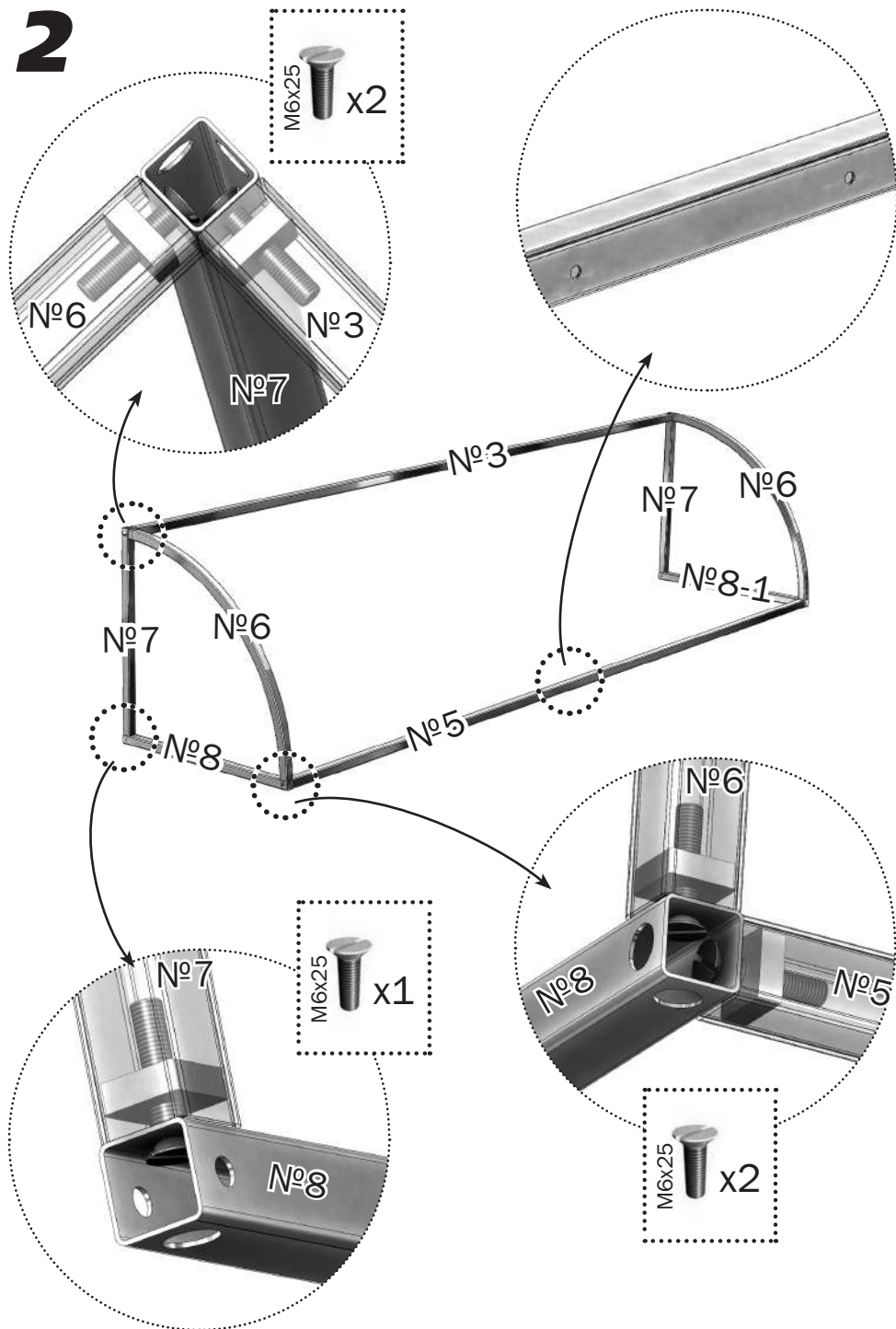
Nº1	Base L=0,85 m		x 2
Nº2	Pole L=0,66 m		x 4
Nº3	Span L=2,05 m		x 5
Nº4	Right crossbar L=0,89 m		x 1
Nº4-1	Left crossbar L=0,89 m		x 1
Nº5	Handle span L=2,05 m		x 1
Nº6	Big arc 0,70x0,15		x 2
Nº7	Big arc vertical radius L=0,45 m		x 2
Nº8	Big arc right radius L=0,47 m		x 1
Nº8-1	Big arc left radius L=0,47 m		x 1
Nº9	Small arc 0,64x0,13		x 2
Nº10	Small arc vertical radius L=0,42 m		x 2
Nº11	Small arc right radius L=0,44 m		x 1
Nº11-1	Small arc left radius L=0,44 m		x 1
Nº12	inner span L=1,99 m		x 1
Nº13	Side corner L=1,05 m		x 8
Nº14	End corner L=0,89 m		x 2
Nº15	Outer cover corner L=0,45 m		x 2

Nº16	Corner for inner cover L=1,02 m		x 8
Nº17	inner span for handle L=1,99 m		x 1
Nº18	Lower end corner		x 2
Plate			x 2
Screw M4x35			x 4
Screw M6x30			x 4
Screw M6x25			x 36
Nut M4			x 4
Nut M6			x 4
Washer M6			x 4
Axis			x 4
Bush rubber			x 2
Washer locking			x 8
Screw self-tapping			x 164
Handle			x 2
Cover sealing		2,1m x 2	
		0,472m x 2	
Inner cover sealing		0,438m x 2	
Intercover sealin		2,04m x 1	
		0,442m x 2	

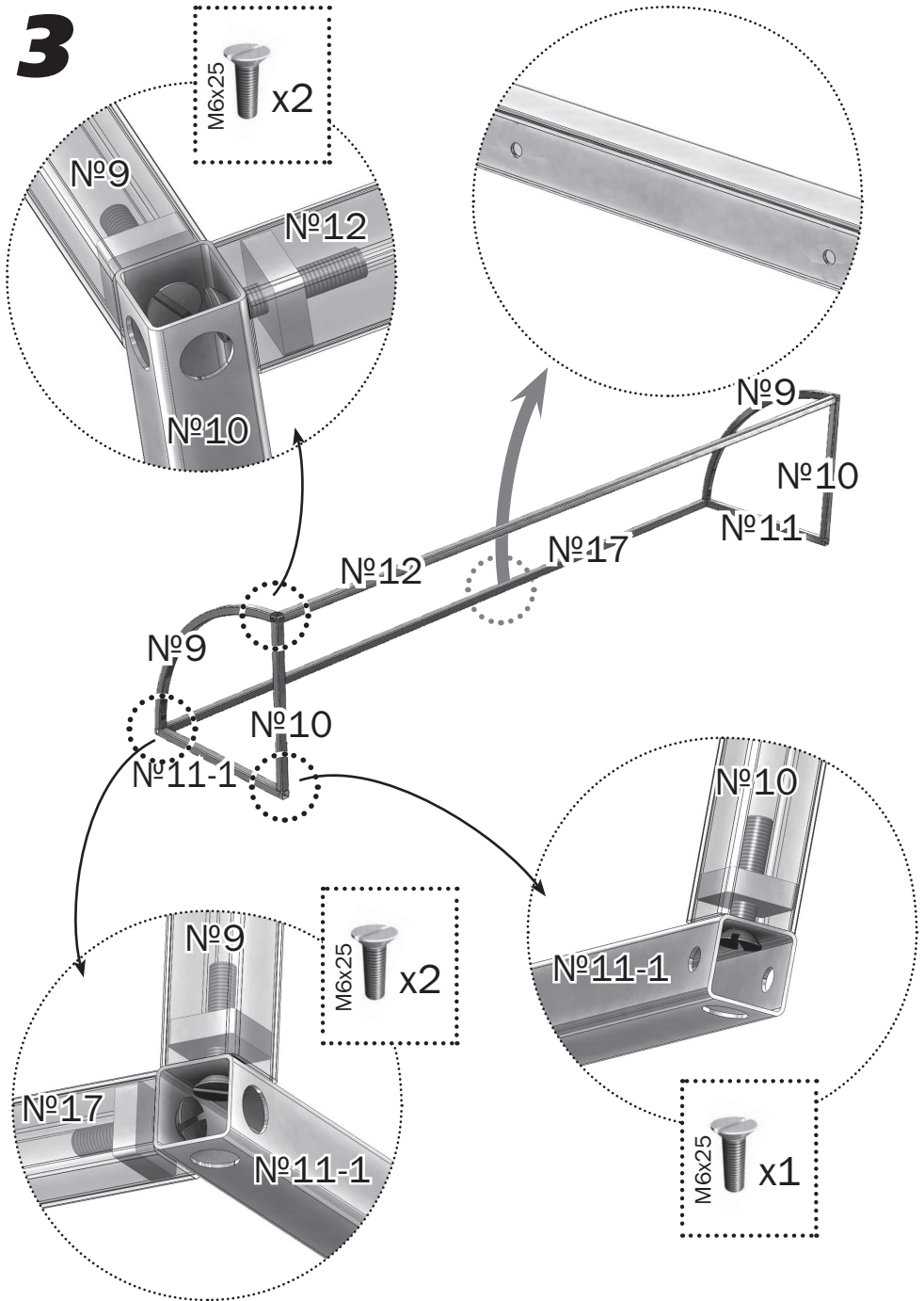
1



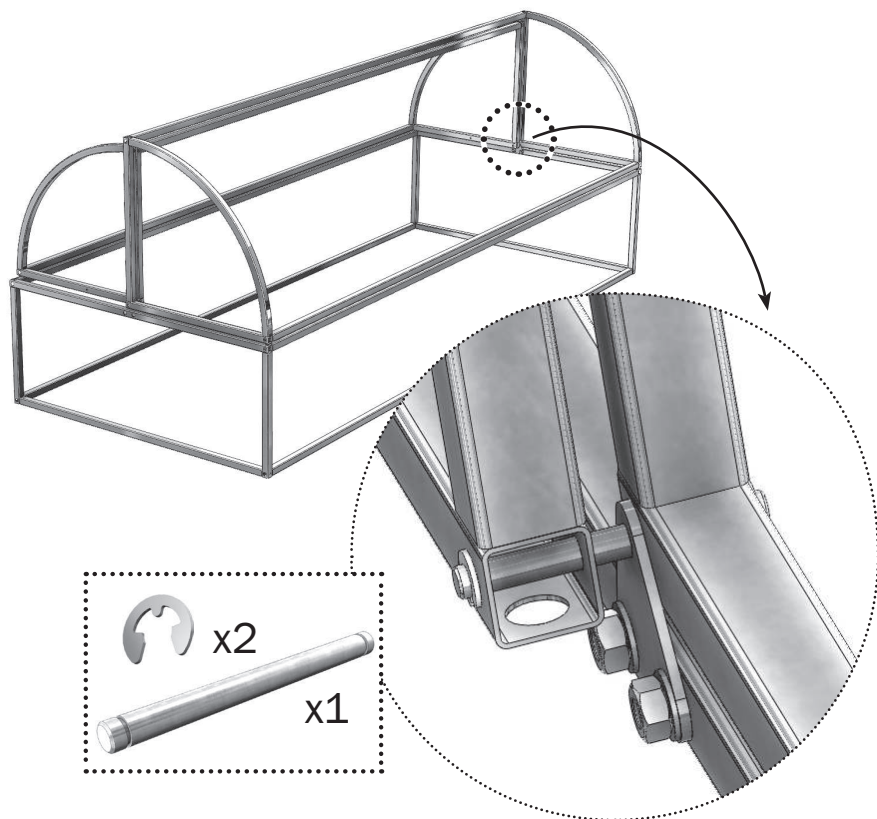
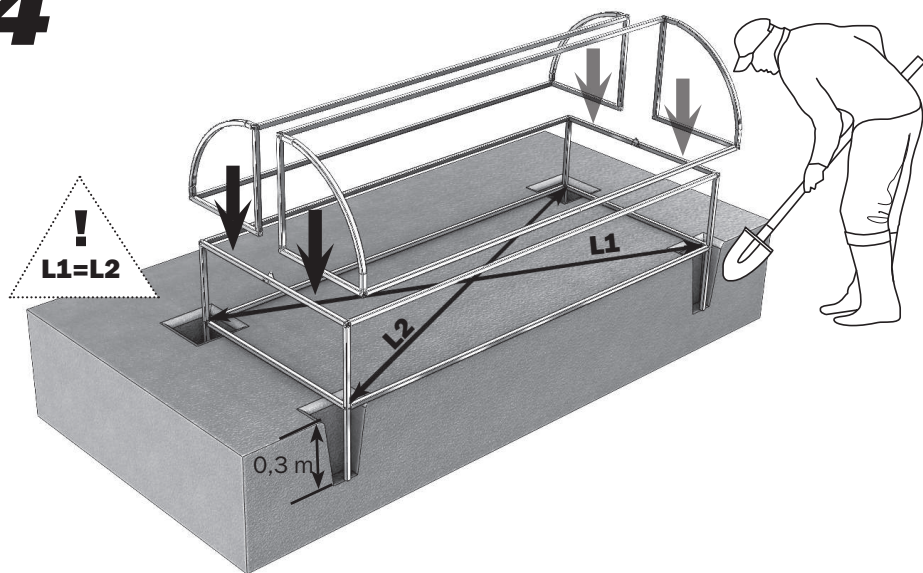
2



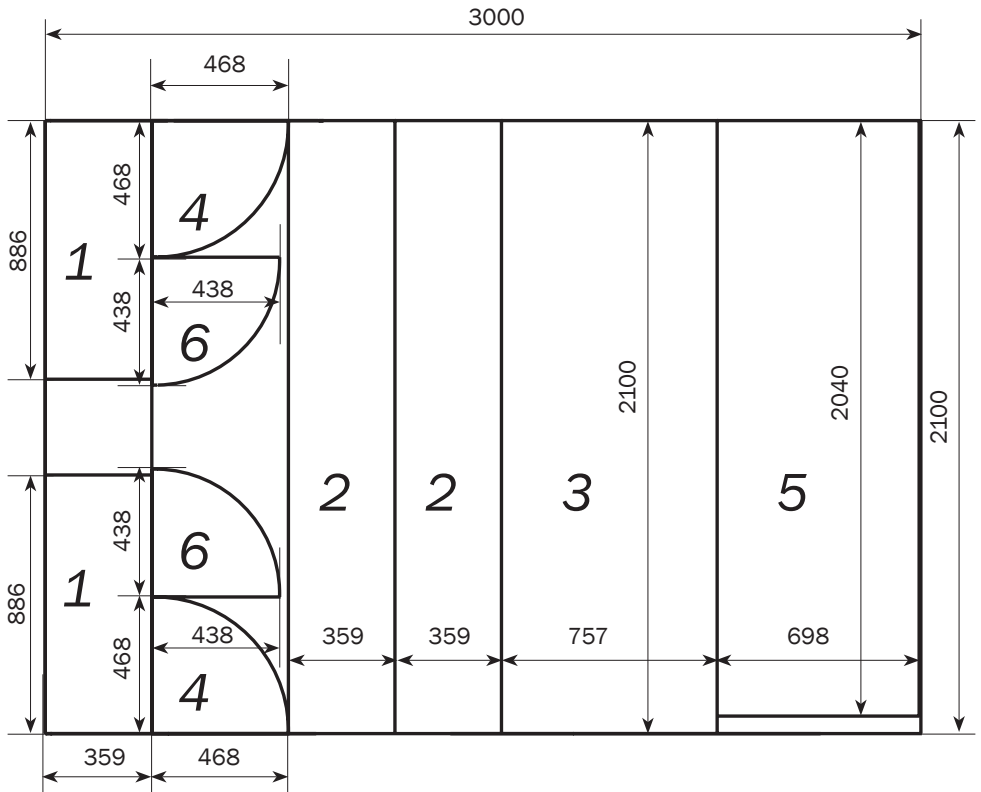
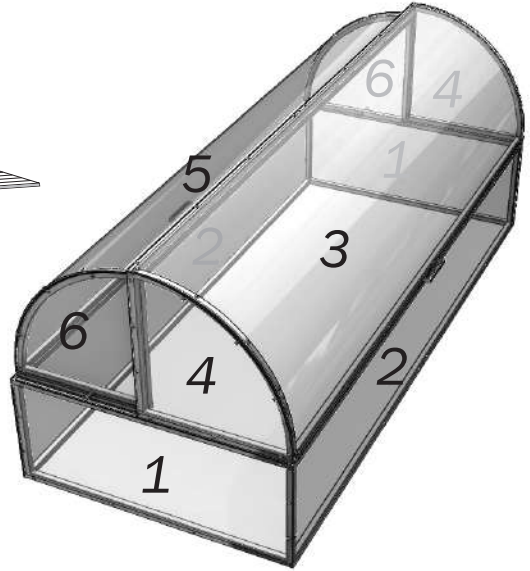
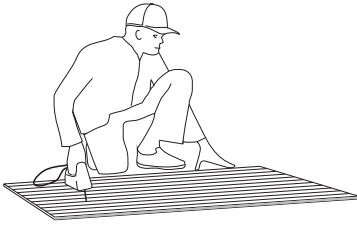
3



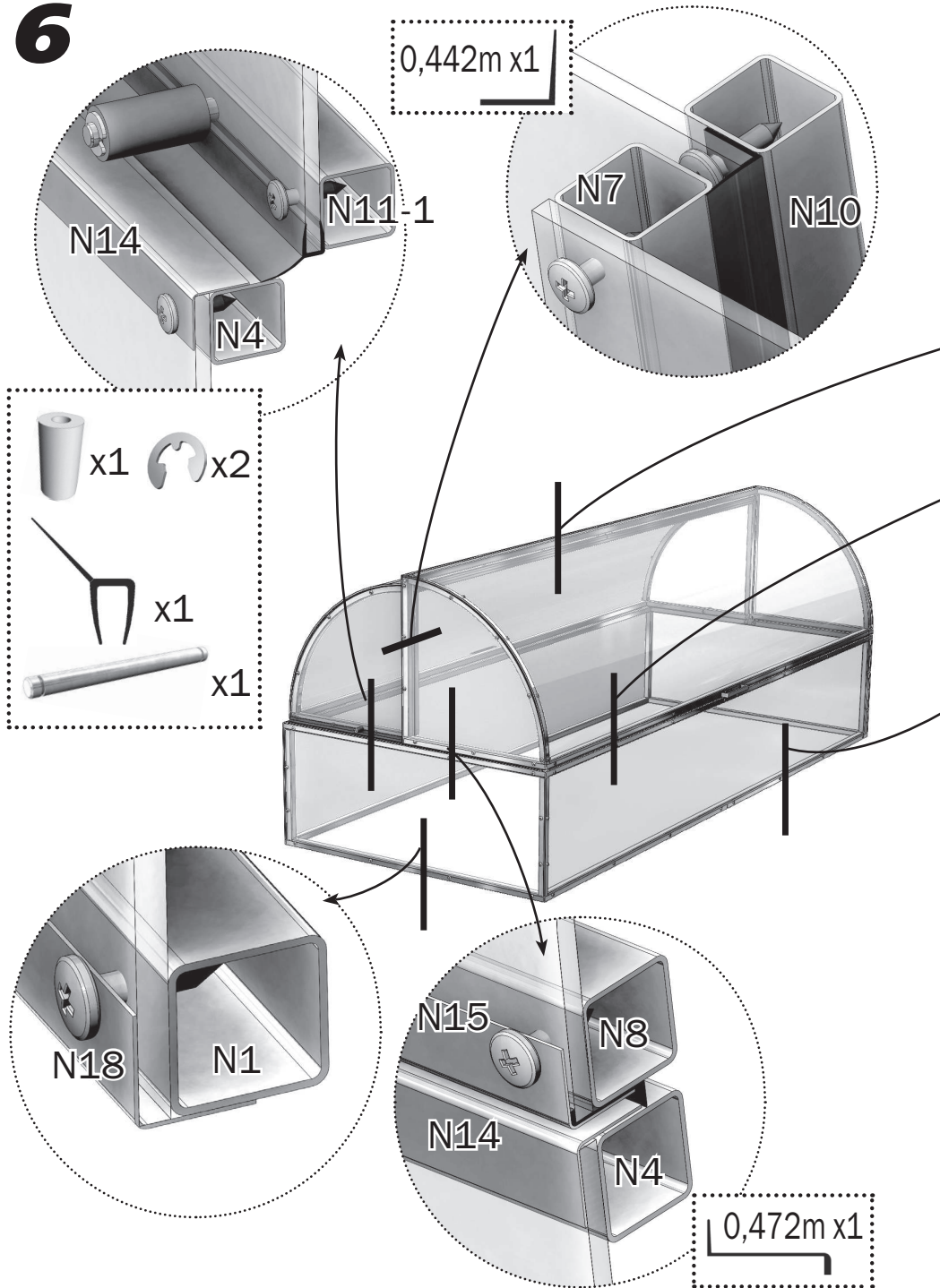
4

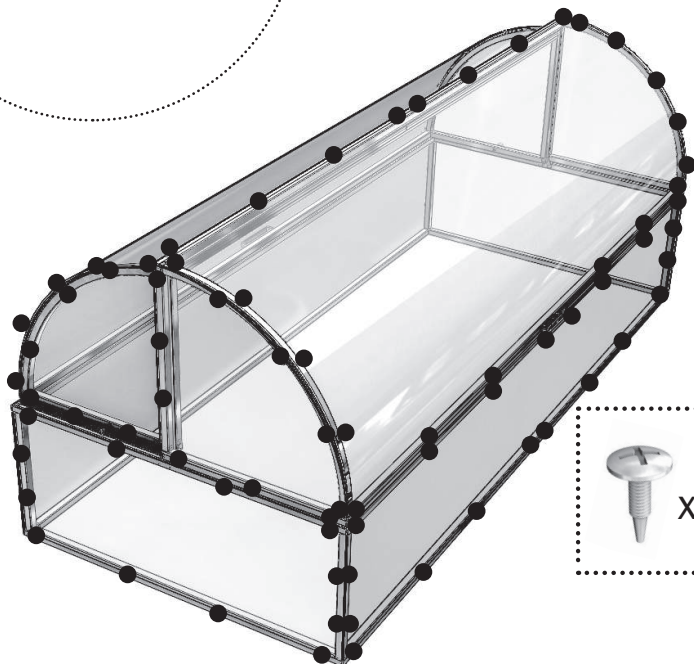
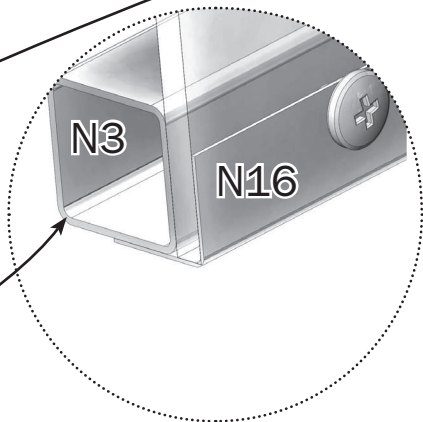
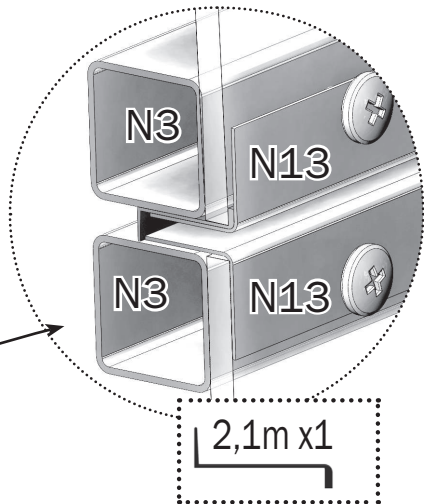
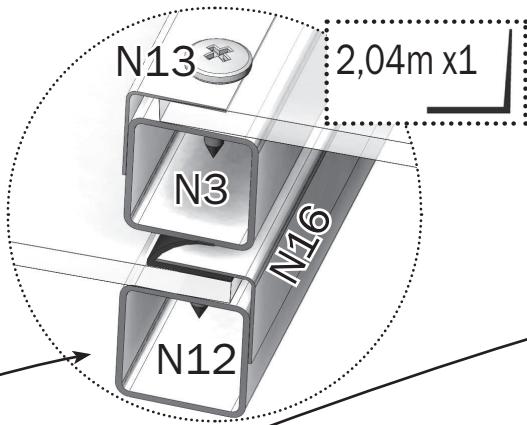


5

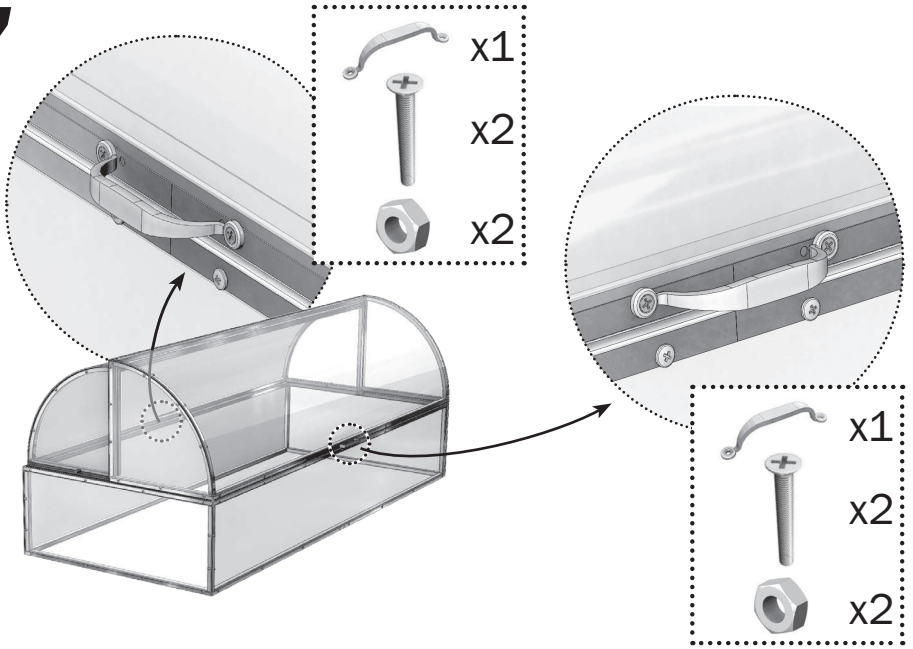


6

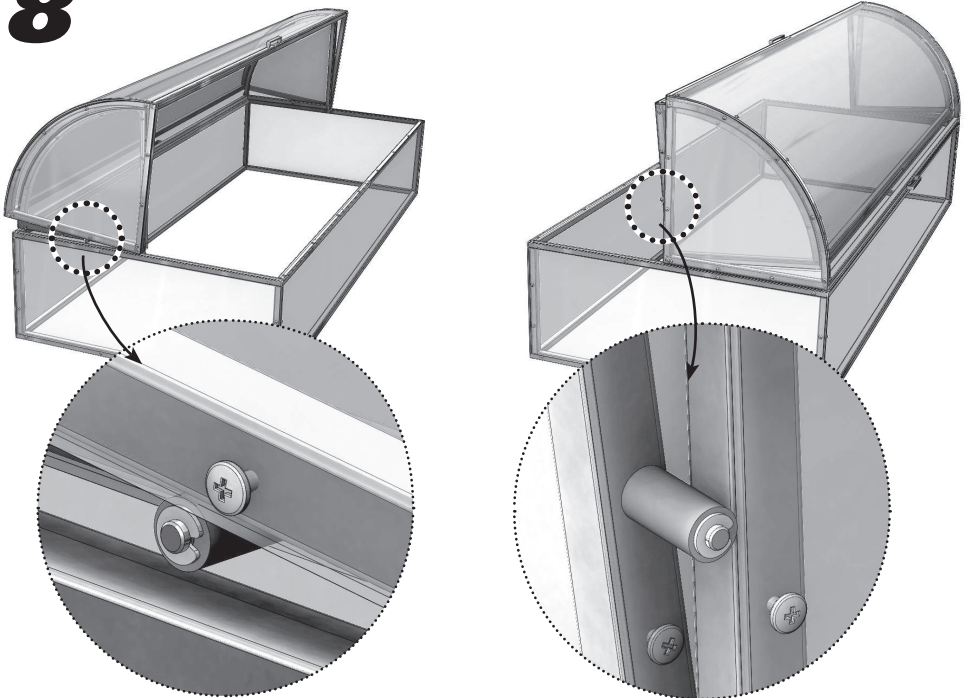




7



8



DANCOVER[®]

.com

Contact information

Head office:

Dancover A/S
Nordre Strandvej 119 G
3150 Hellebæk
Denmark

For more information
please visit:
www.dancovershop.com

National contact

Denmark: 70 26 76 20
denmark@dancover.com

UK: 020 8099 7570
uk@dancover.com

Germany: 041 0266 7040
germany@dancover.com

France: 0975 181 800
france@dancover.com

Sweden: 040 233 262
sverige@dancover.com

Finland: 0 931 581 720
suomi@dancover.com

Poland: 22 300 8602
polska@dancover.com

Luxembourg: +49 041 0266 7040
luxembourg@dancover.com

Portugal: 308 800 899
portugal@dancover.com

Spain: 911 436 828
espana@dancover.com

Italy: 02 479 21 198
italia@dancover.com

Switzerland: 0840 000125
schweiz@dancover.com

Austria: 0662 626935
austria@dancover.com

Norway: 231 00 690
norge@dancover.com

Nederland: 0 858 880 524
nederland@dancover.com

Ireland: 0 151 33 003
ireland@dancover.com

Belgium: 0 28 08 08 09
belgique@dancover.com