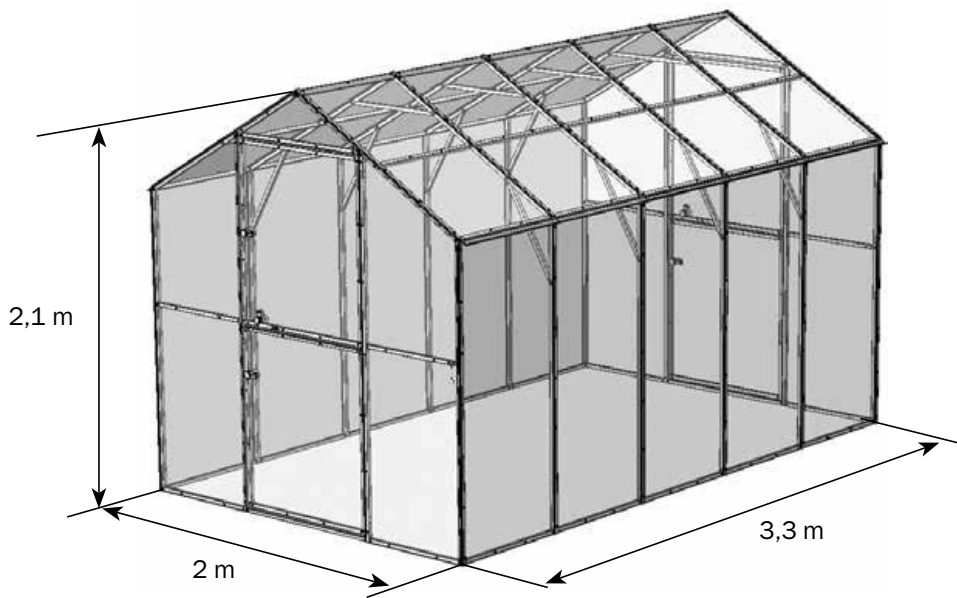


DANCOVER[®]



Manual
for
Greenhouse
TITAN Classic



! Follow the greenhouse assembly instructions and use it in strict accordance with the manual and operating rules stated in the technical certificate. Please keep the technical certificate for further reference.

DISCRIPTION

The greenhouse "TITAN Classic" is designed to create the climate, which is productive to grow horticultural crops on the garden plots.

The length of the greenhouse is 3.3 m, the surface of the protected soil is 6.4 m². The height of the set up frame is 2.1 m.

The frame of the greenhouse is made of square galvanized pipe and it is assembled with the studs, screws, nuts. The kit includes everything you need to fasten the covering.

The base of the greenhouse is not obligatory to install but recommended. The greenhouse is fixed on the ground by digging special frame endings. The kit includes everything you need to fasten the covering.

The greenhouse covering is completed on buyer's request. To cover the greenhouse you need 2.5 polycarbonate sheets 4*2100*6000 mm.

The greenhouse has two doors and two vents.

Assembly instructions and operating rules

The green house should be assembled and installed on the ground according the instruction. The buyer should control the assembly quality if it is made by third person.

Self-tapping screws of mount structure should be tightened to contact the flat head of the screw with the covering surface and hold it to the frame, but do not allow the extra rundown of the screws.

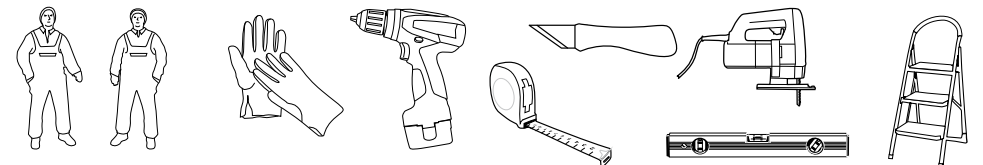
Avoid installing the greenhouse closely to the buildings and trees. The melting snow or ice is a potential hazard. The recommended distance is minimum 2.2 m.

The greenhouse is designed to endure the wind of less than 20 m/s.

There is no need to skin the greenhouse during the winter time for the greater parts of the regions of Russia. If the greenhouse in not looked after during winter, the customer should determine the possible snow load or to skin the covering.

The limit snow load for the frame takes place when the weight of the snow blanket is 240 kg/1m² of horizontal ground surface. This limit snow load requires characteristic snow load of the IV snow region (according the classification of construction rules and regulations (SNiP) 2.01.07-85 "Loads and actions").

If the greenhouse is installed according the instruction, the manufacture guarantees the durability of the frame when the snow covers it in Moscow, Sverdlovsk, Novosibirsk and other regions which are not exceeding IV snow region number. Buying a greenhouse, ascertain data of snow region number where the green house is planned to be installed.



Cleaning and washing of the polycarbonate sheets

1. Swill the sheets with warm water.
2. Wash the sheet with a solution of mild soap or household detergent and warm water, using a soft cloth or sponge to remove dirt.
3. Swill with cold water and dry with soft rag.

Never use abrasives or highly alkaline cleaning compositions for cleaning polycarbonate sheets. Dry rubbing of the surface will damage the protective layer of the cladding and shorten its application time. Never rub the surface of polycarbonate sheets with brushes, metallic cloth or other abrasive materials.

When disinfecting the greenhouse from pathogens causing fungal and bacterial diseases, do not use "sulfur blocks" to avoid frame corrosion (blackening).

Warranty

1. The manufacturer shall be responsible for completeness of the package.
2. The manufacturer shall be responsible for assemblability of the greenhouse in accordance with the Assembly Instruction.
3. The manufacturer shall be responsible for structural integrity within the frames of the Operating Rules.
4. The term for a claim is 24 months from the date of purchase.


Warranty liability

Warranty liabilities do not apply to cases of:






1. The greenhouse installation with violation of requirements of the manual
2. The violation of the operating rules.
3. Inappropriate use of the greenhouse.
4. The evidence that indicates corrosion on the cut of the details which do not influence the operational characteristics of the construction.
5. The deformation of the greenhouse due to soil movement.
6. Floods, hurricanes and other natural disasters.
7. The deformation of the greenhouse under the show due to operational characteristics violation.

The manufacturer reserves the right for greenhouse engineering design changes.




1ST PACKAGE BASE

M2	bearer (20x20) L=0,64m		x 30
M2-1	bearer (20x20) L=0,64m		x 5






2ND PACKAGE BASE

1	package header (20x20) L=0,3m		x 16
M5	roof (20x20) L=1,16 m		x 4
M5-1	roof (20x20) L=1,17 m		x 4
M5K	roof (20x20) L=1,16 m		x 2
M5K-1	roof (20x20) L=1,17 m		x 2



3 RD PACKAGE BASE

M4	side stud (20x20) L=1,55m		x 8
M4K	side stud end most (20x20) L=1,55m		x 4
M21	hard bar of the arc (20x20)		x 12



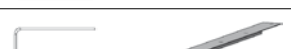


4 TH PACKAGE BASE

M8	isohyps end face (20x20) L=0,58 m		x 4
M8-1	isohyps end face (20x20) L=0,58 m		x 4
M9	door side stud (20x20) L=1,87 m		x 2
M9-1	door side stud (20x20) L=1,87m		x 2
M10	door side isohyps (20x20)		x 2
D10-1y	L=0,81m		x 2










4 TH PACKAGE BASE

A11y			x 4
A11-1y	vertical vent member (20x20) L=0,9 m		x 2
A11-2y			x 2
A12-1y			x 2
A12-2y	isohyps vent member (20x20) L=0,75 m		x 2
A12-3y			x 2
A12-4y			x 2






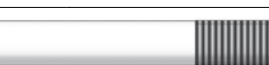






5 TH PACKAGE BASE

22	plate L=1,53m		x 12
23	plate L=1,16m		x 12
24	end face plate L=1,53m		x 4
25	end face plate L=1,16m		x 4
26	roof apex		x 5

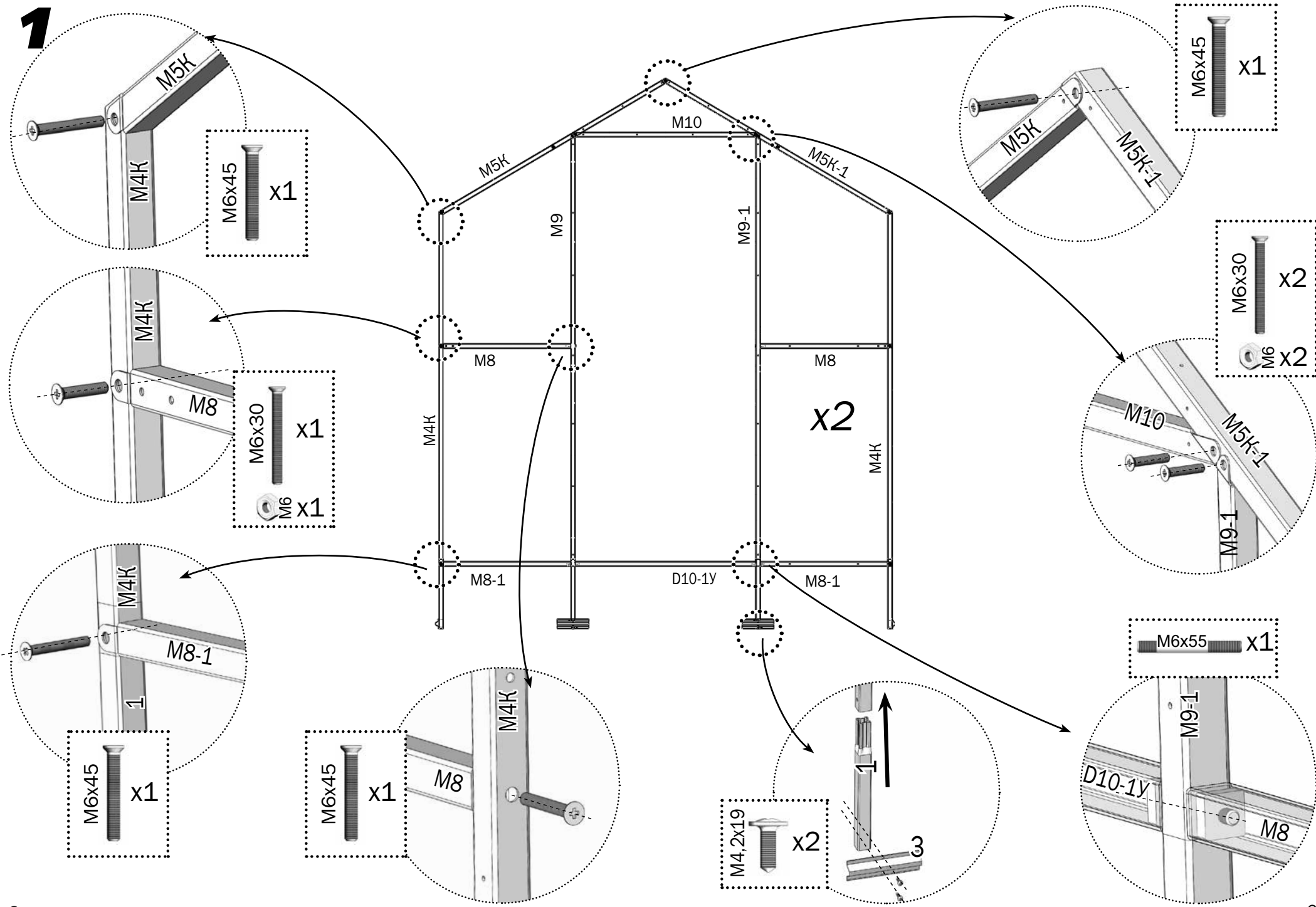
6 TH PACKAGE BASE

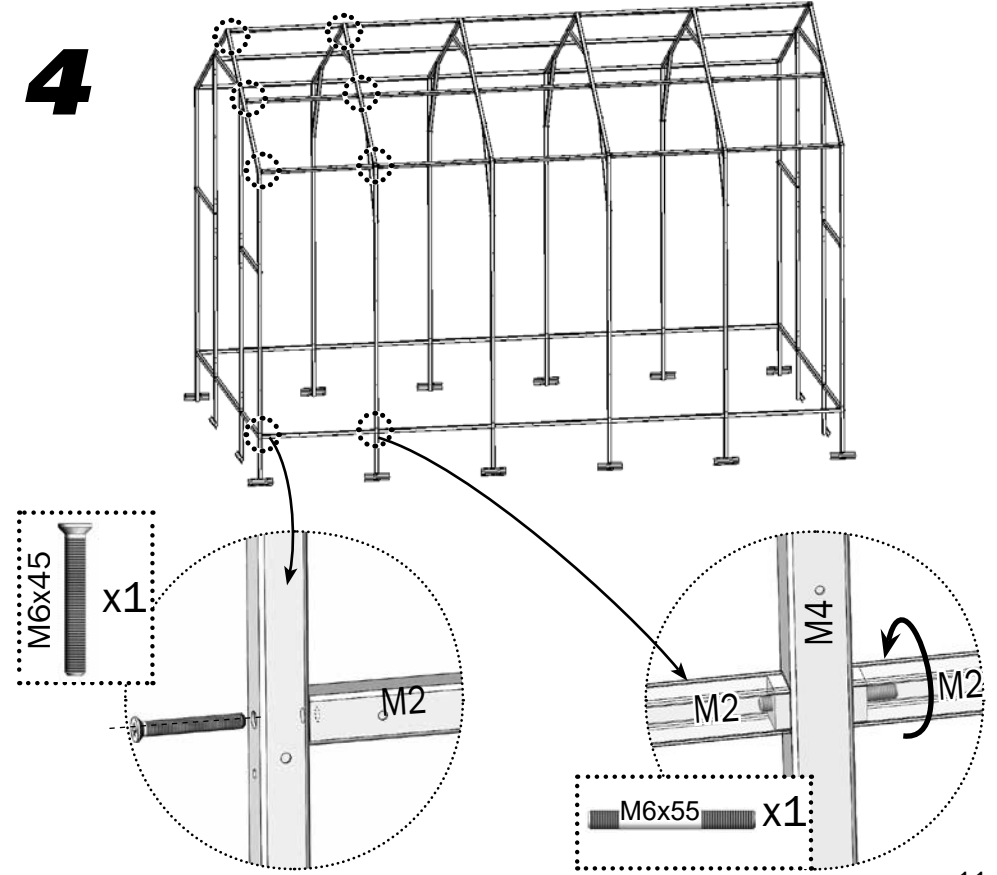
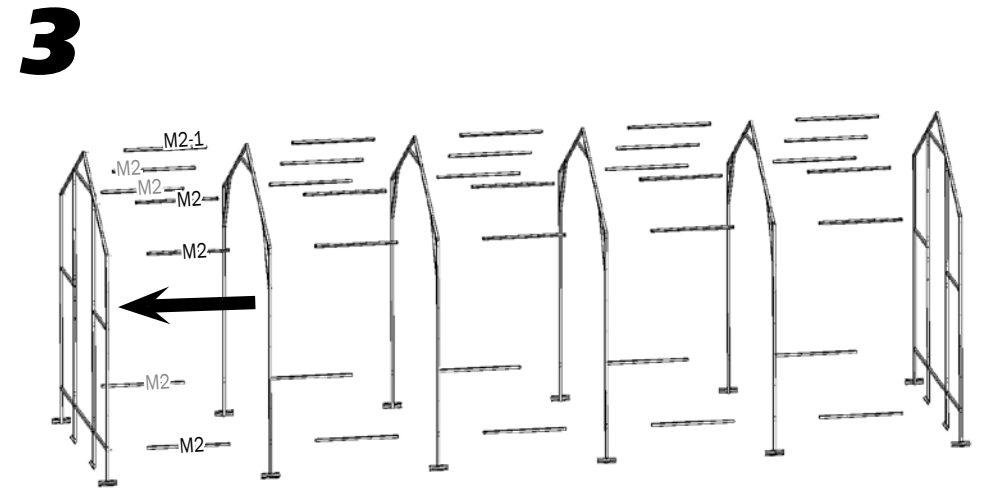
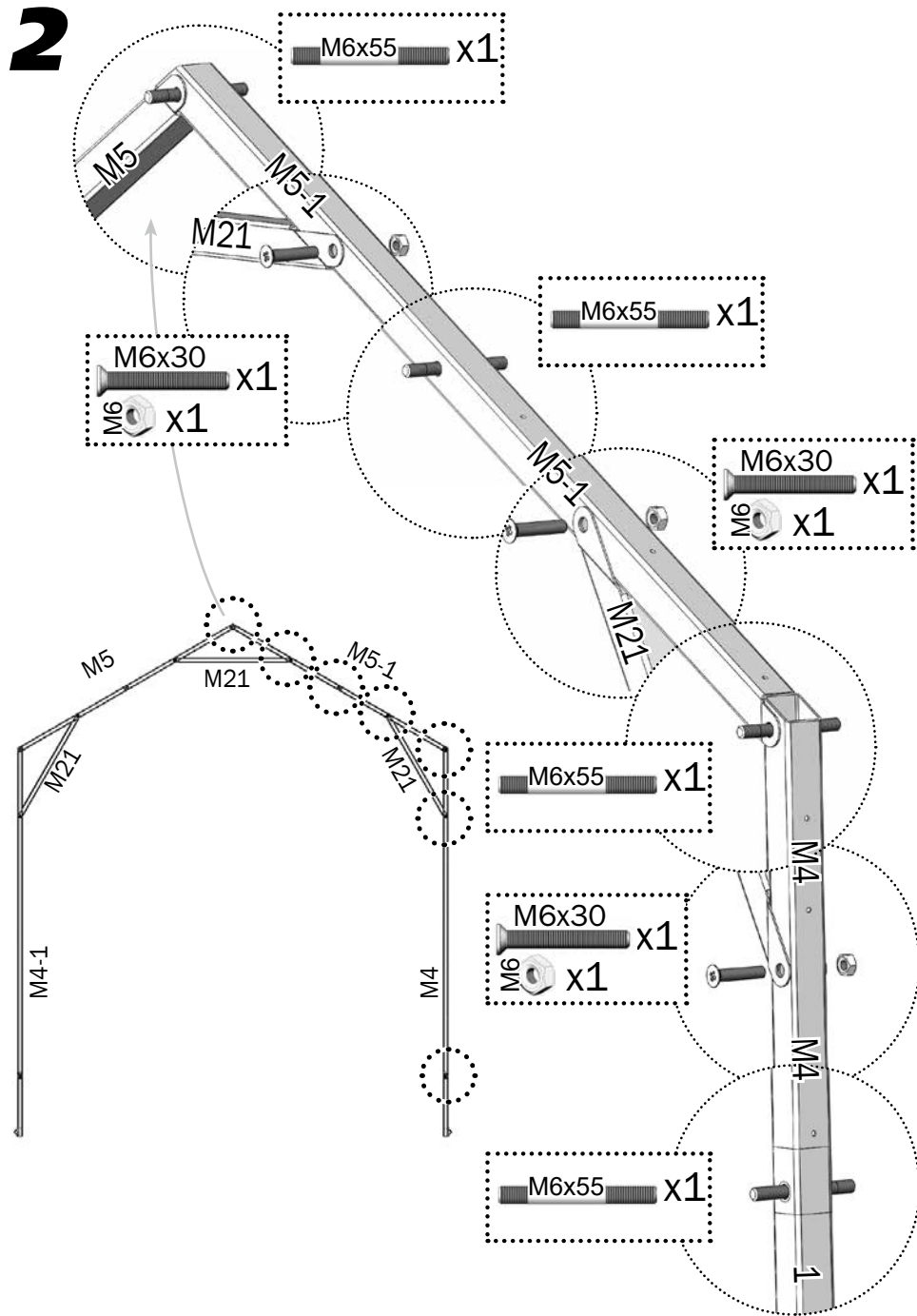
3	Runner		x 16
27	Door hook		x 2
28	Door Butt		x 8
29	Door bolt handle		x 12
30	Plate of the door bolt		x 6
31	Inside part of the door bolt		x 12
32	Valve chamber of the door bolt		x 6
33	Rod of the door bolt		x 6
34	Scotch tape		x 1

6 TH PACKAGE BASE

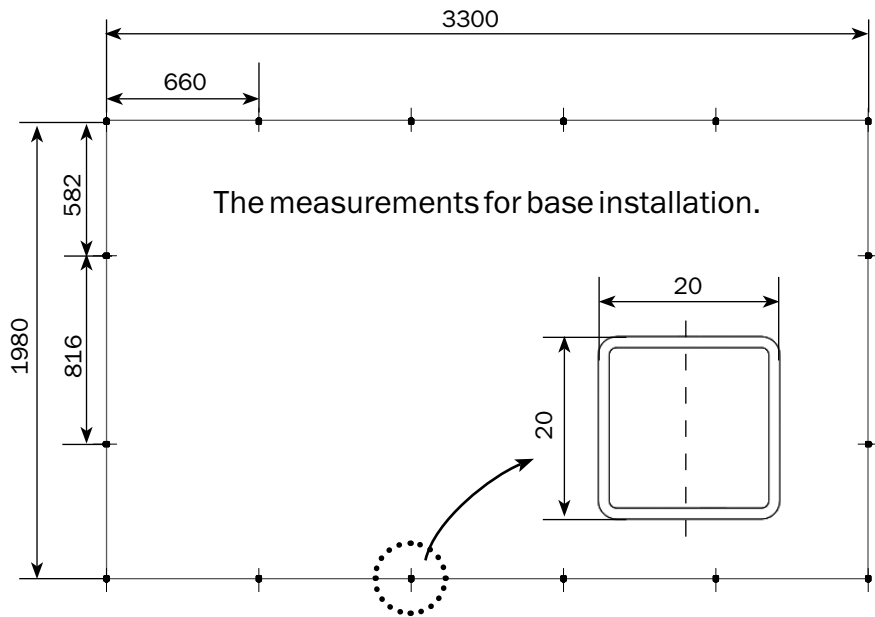
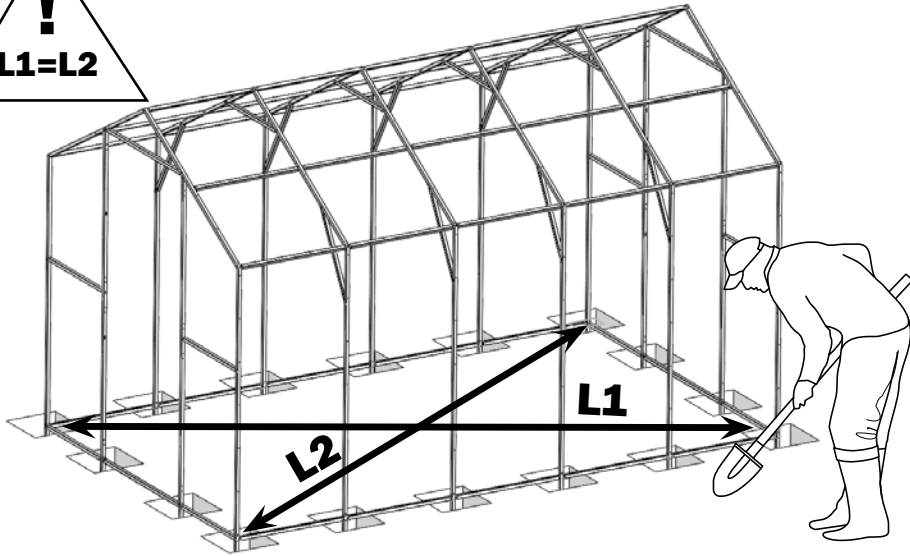
35	Screw M4x30		x 40
36	Screw M5x30		x 12
37	Screw M6x30		x 16
38	Screw M6x30		x 36
39	Screw M6x45		x 18
40	Stud M4x45		x 6
41	Stud M6x55		x 32
42	Self-tapping screw M4,2x19		x 280
43	Door weather strip 1,9m		x 2
44	Nut M4		x 40
45	Nut M5		x 12
46	Nut M6		x 36

1

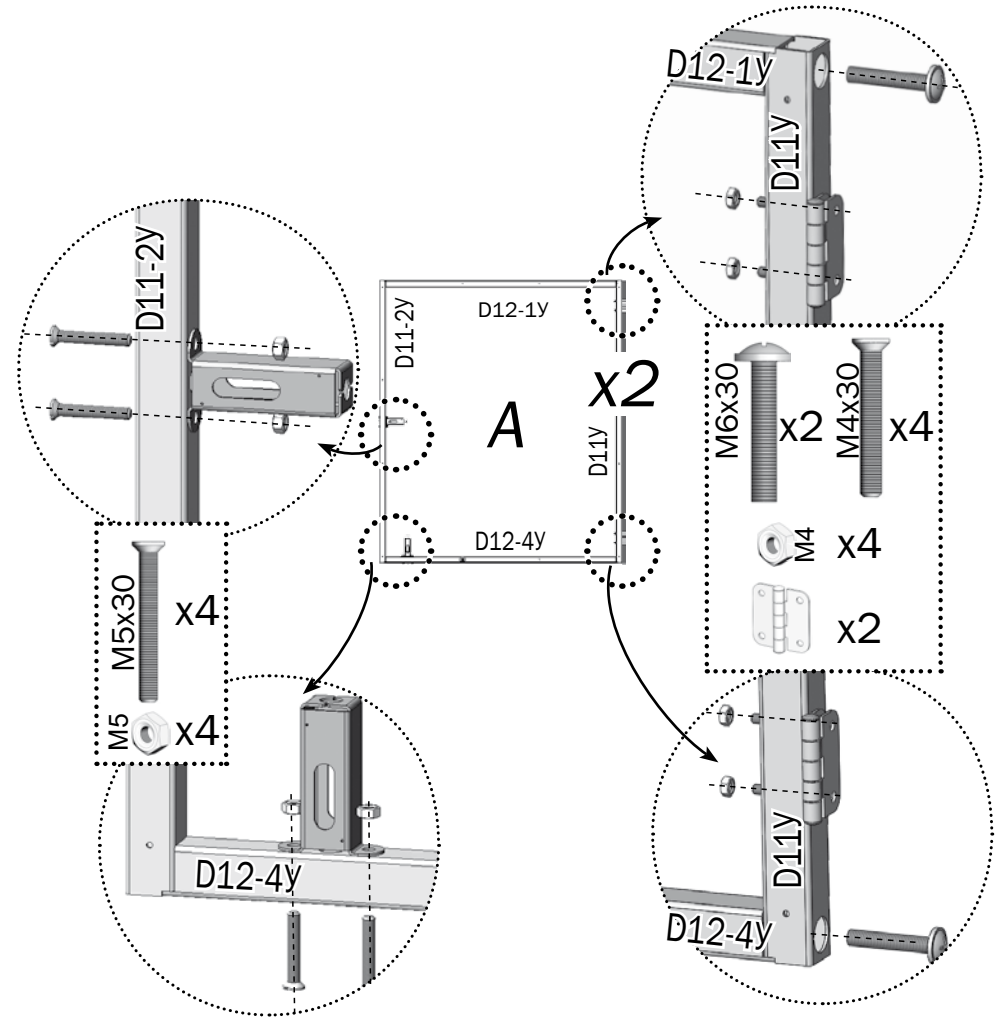




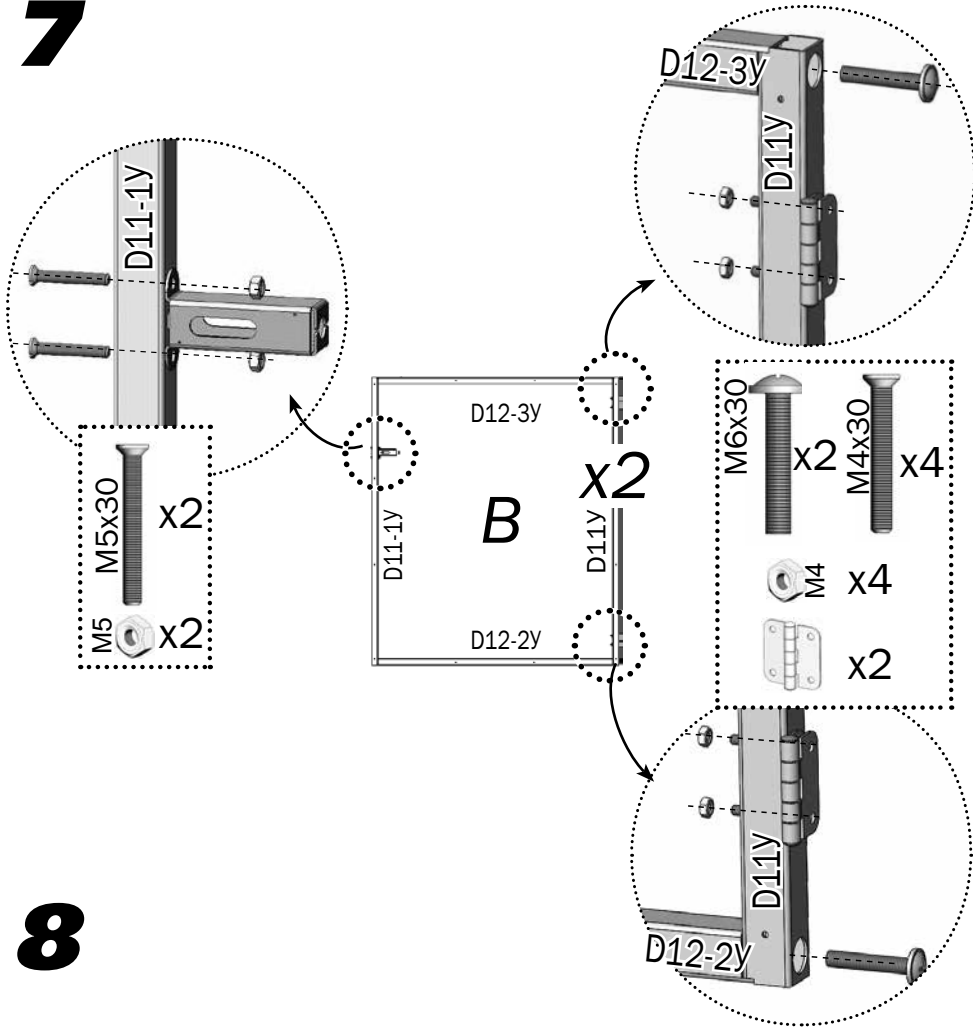
5



6



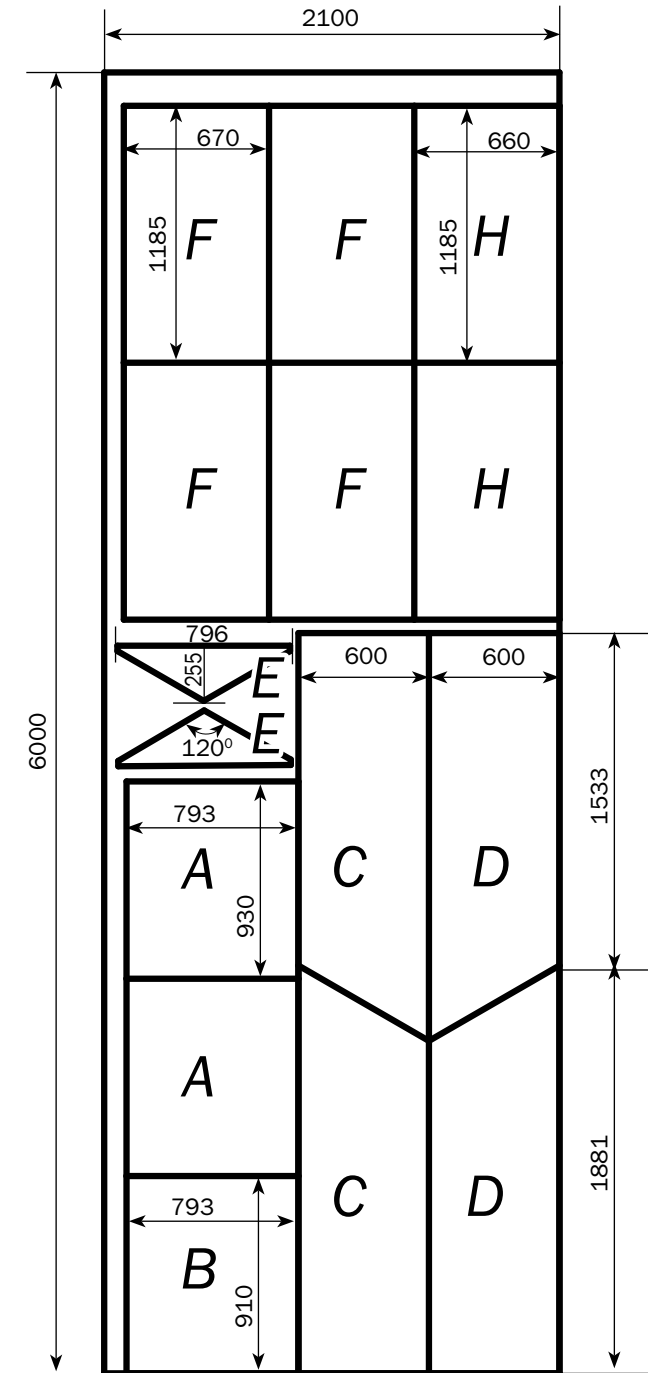
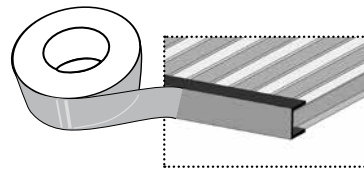
7

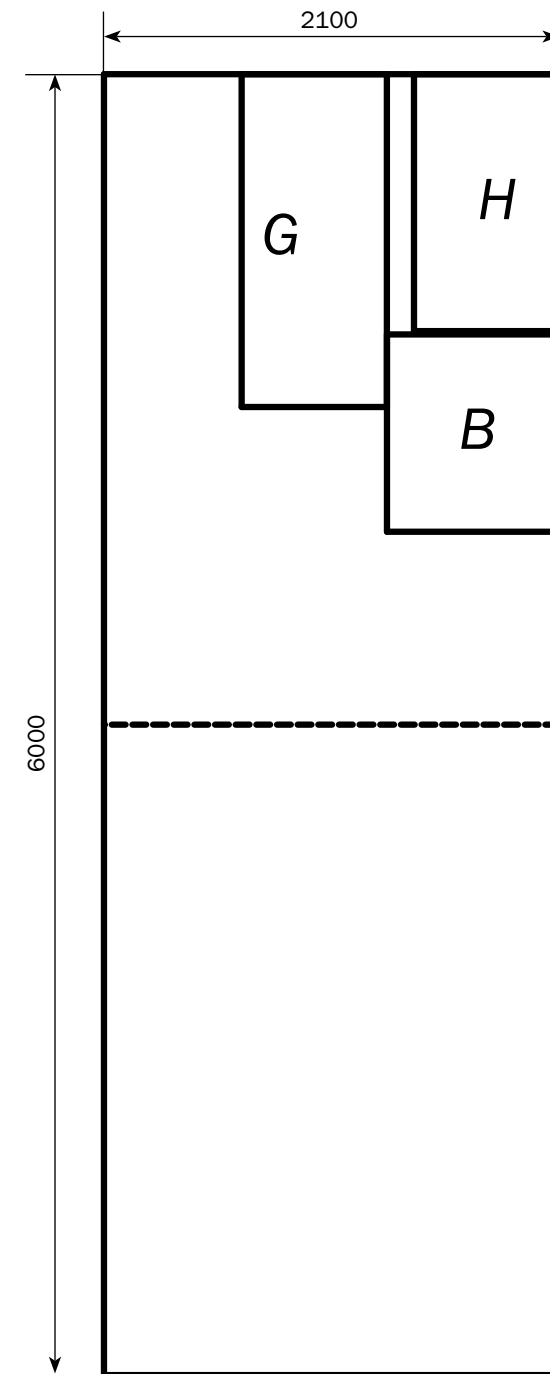
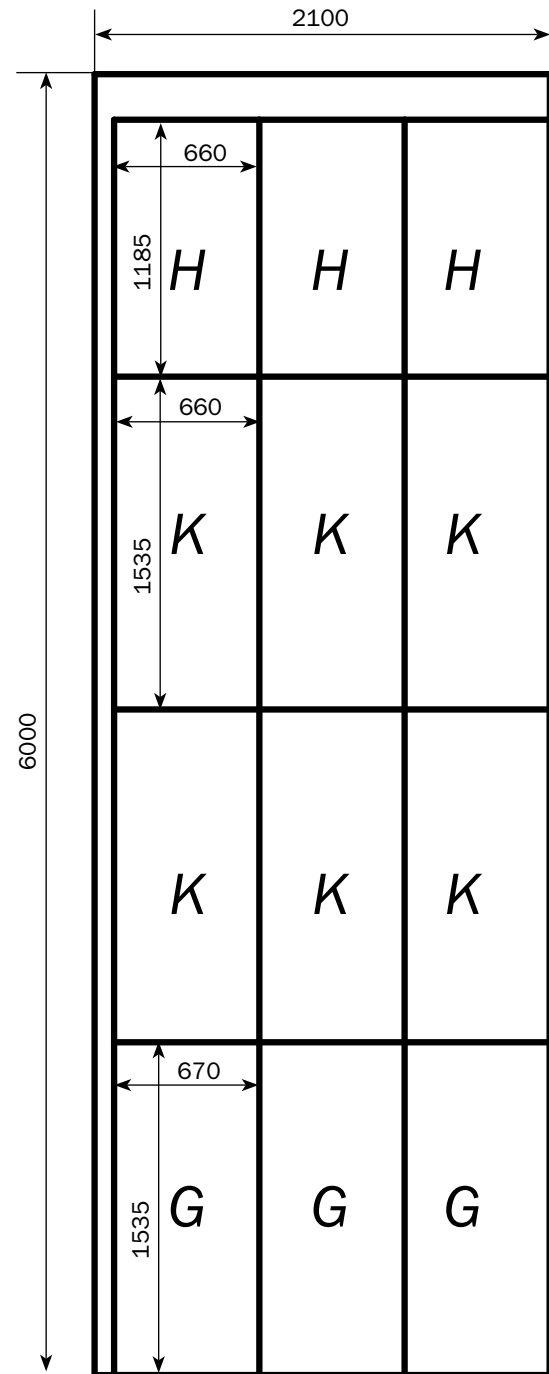


8

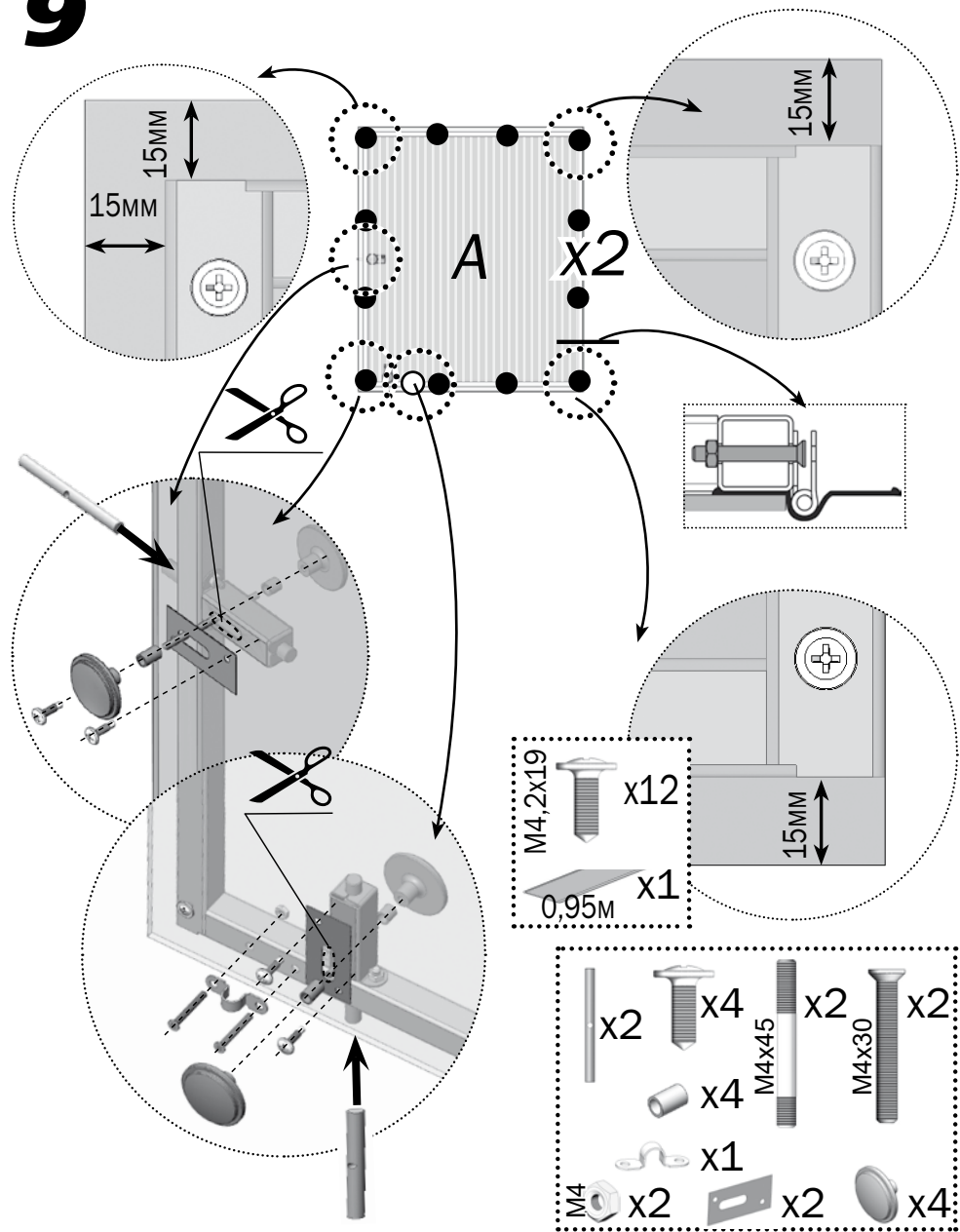
The UV-resistant side of polycarbonate sheets must face outside (sunward). The UV-resistant side is usually indicated with notations on the shipping plastic film. The film is transparent on the back side of the polycarbonate sheet. After marking the polycarbonate sheets, but prior to cutting it, mark the UV-resistant side on every piece of polycarbonate sheet: when the shipping film is removed both sides look similar. The shipping film is removed from both sides shortly before fastening the covering in the frame.

Tape scotch on the cut sides of the polycarbonate sheets.

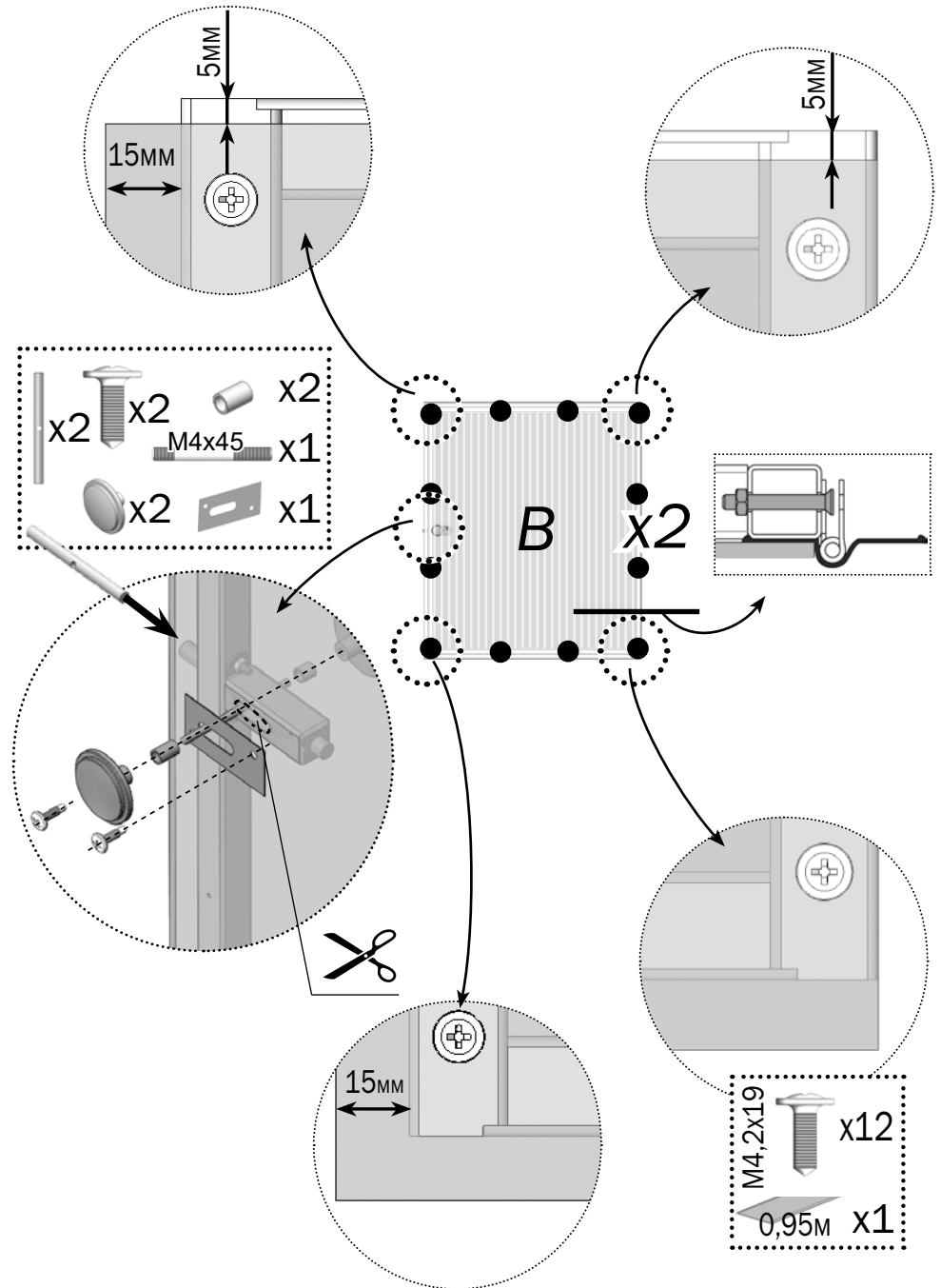




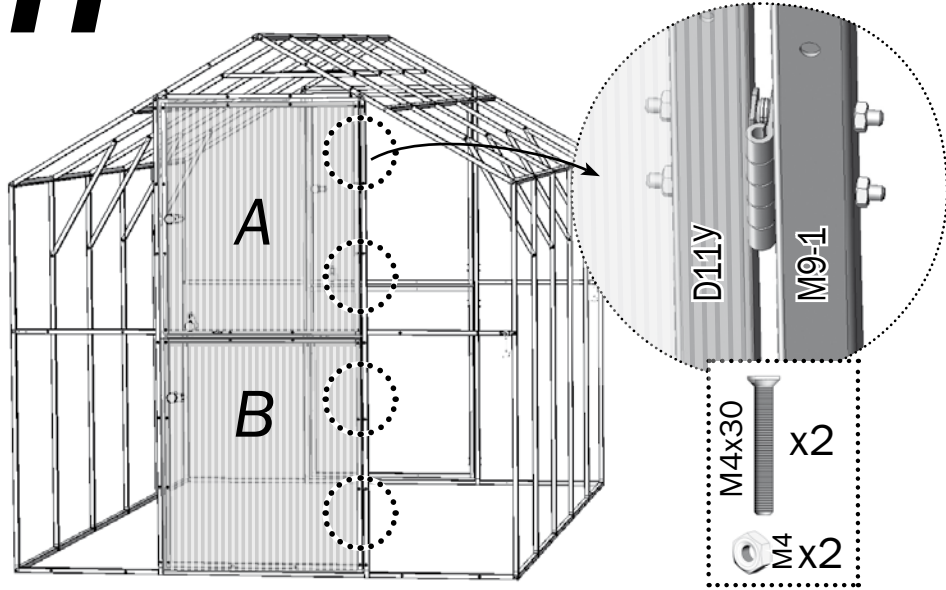
9



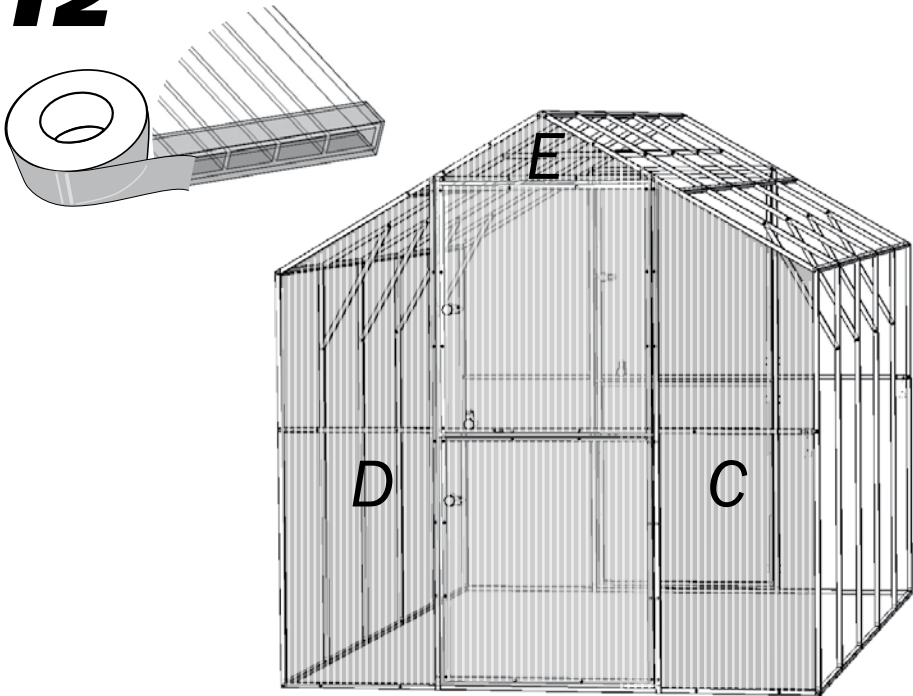
10



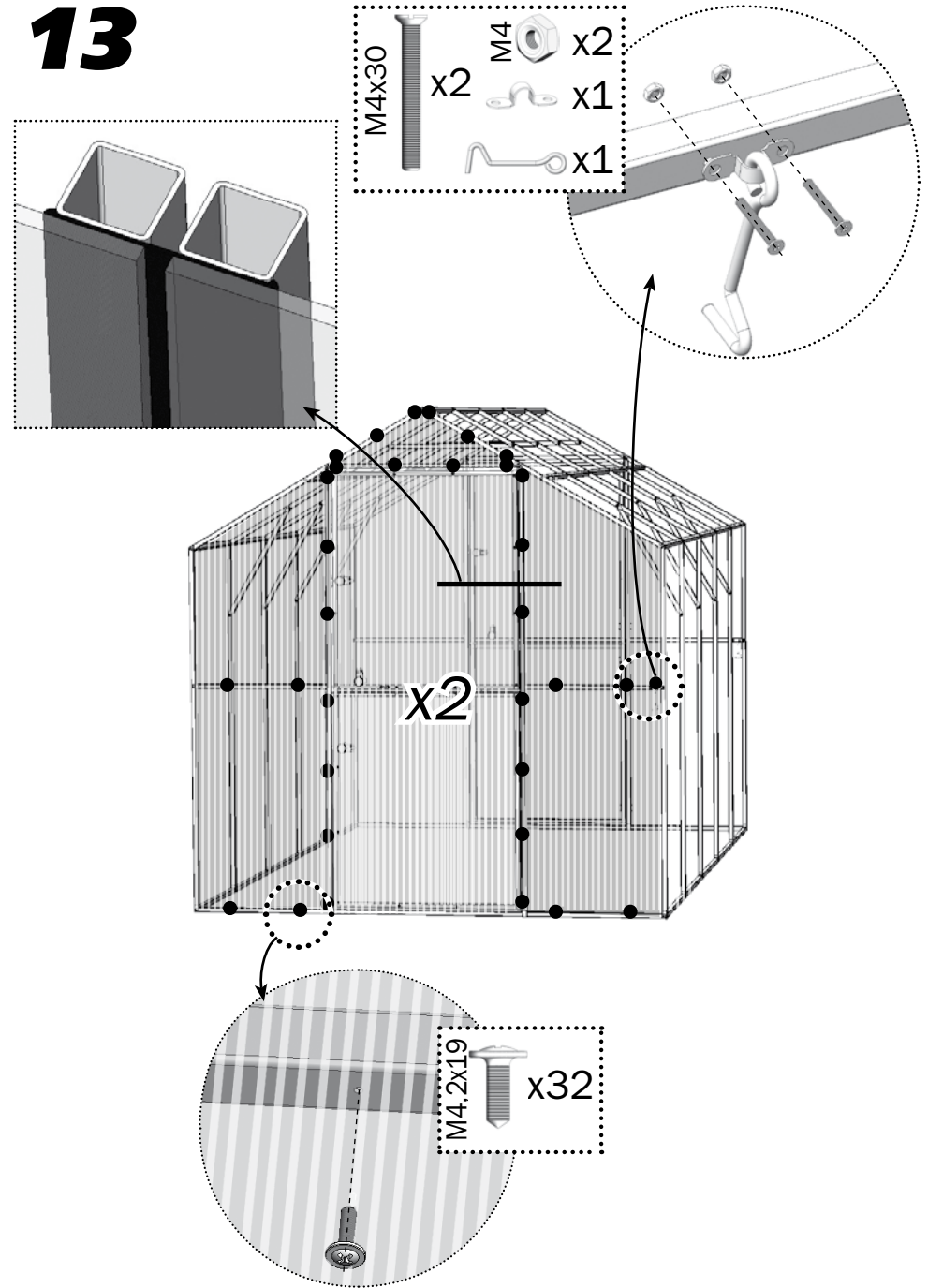
11



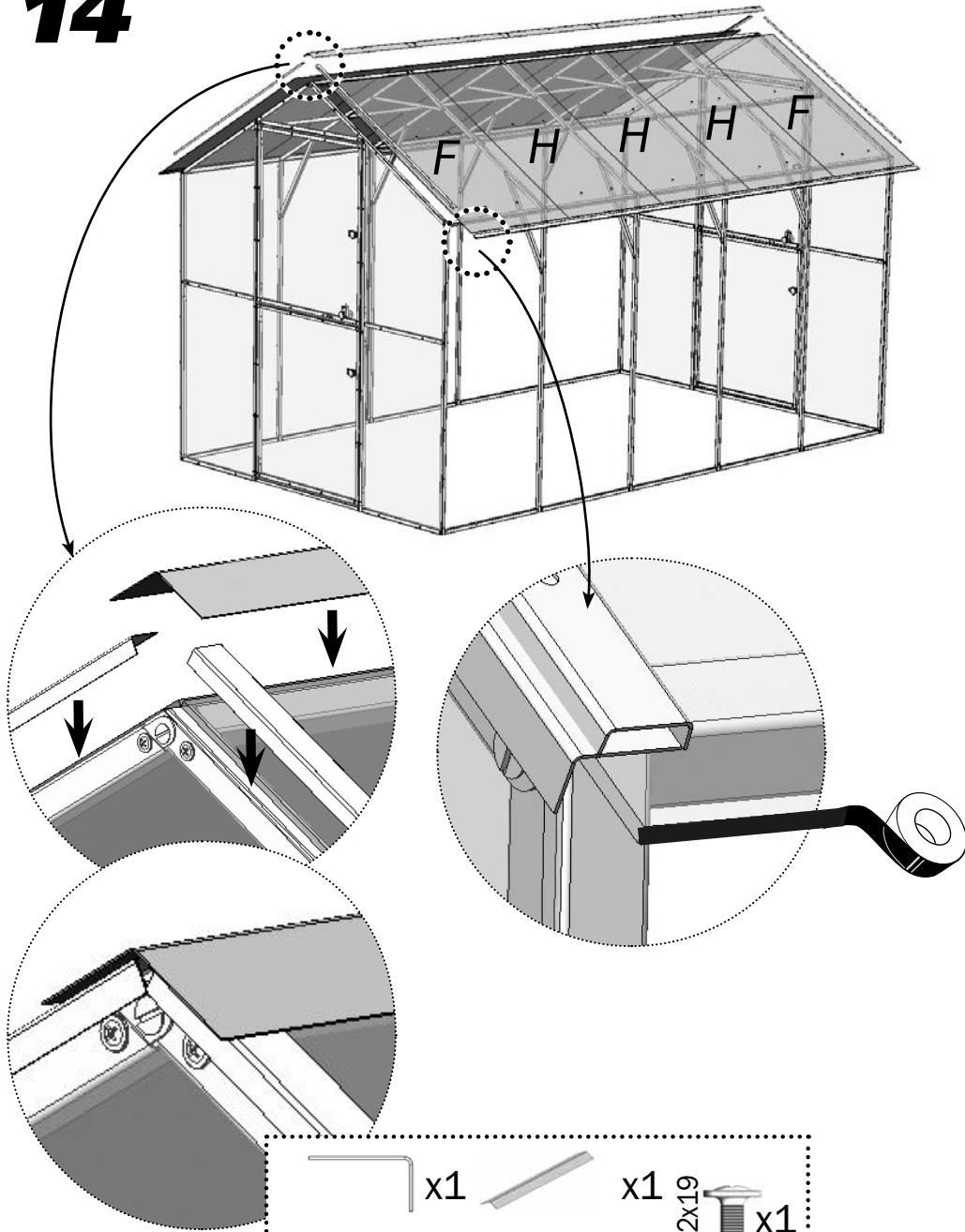
12



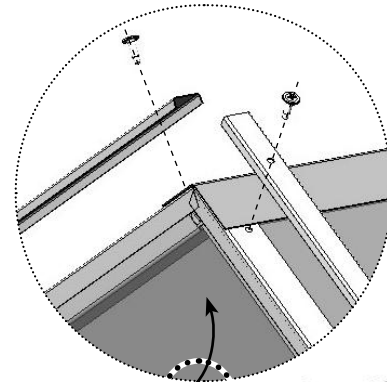
13



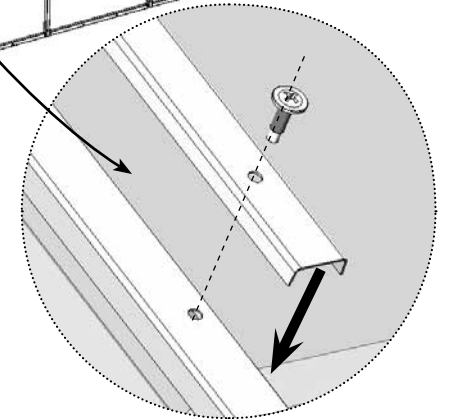
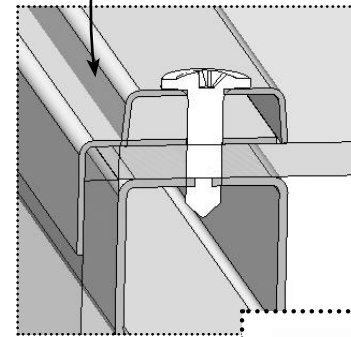
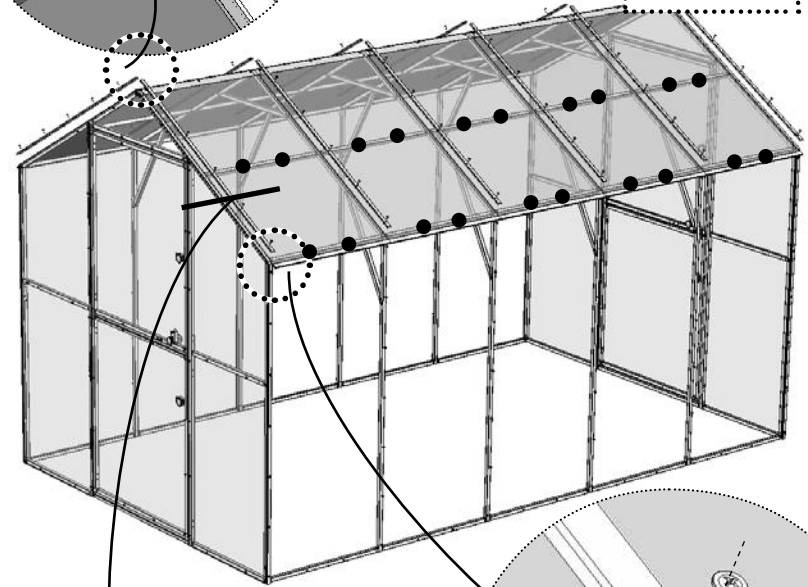
14



- | | | | | | |
|--|----|--|----|---------|----|
| | x1 | | x1 | | x1 |
| | x1 | | x2 | M4,2x19 | |

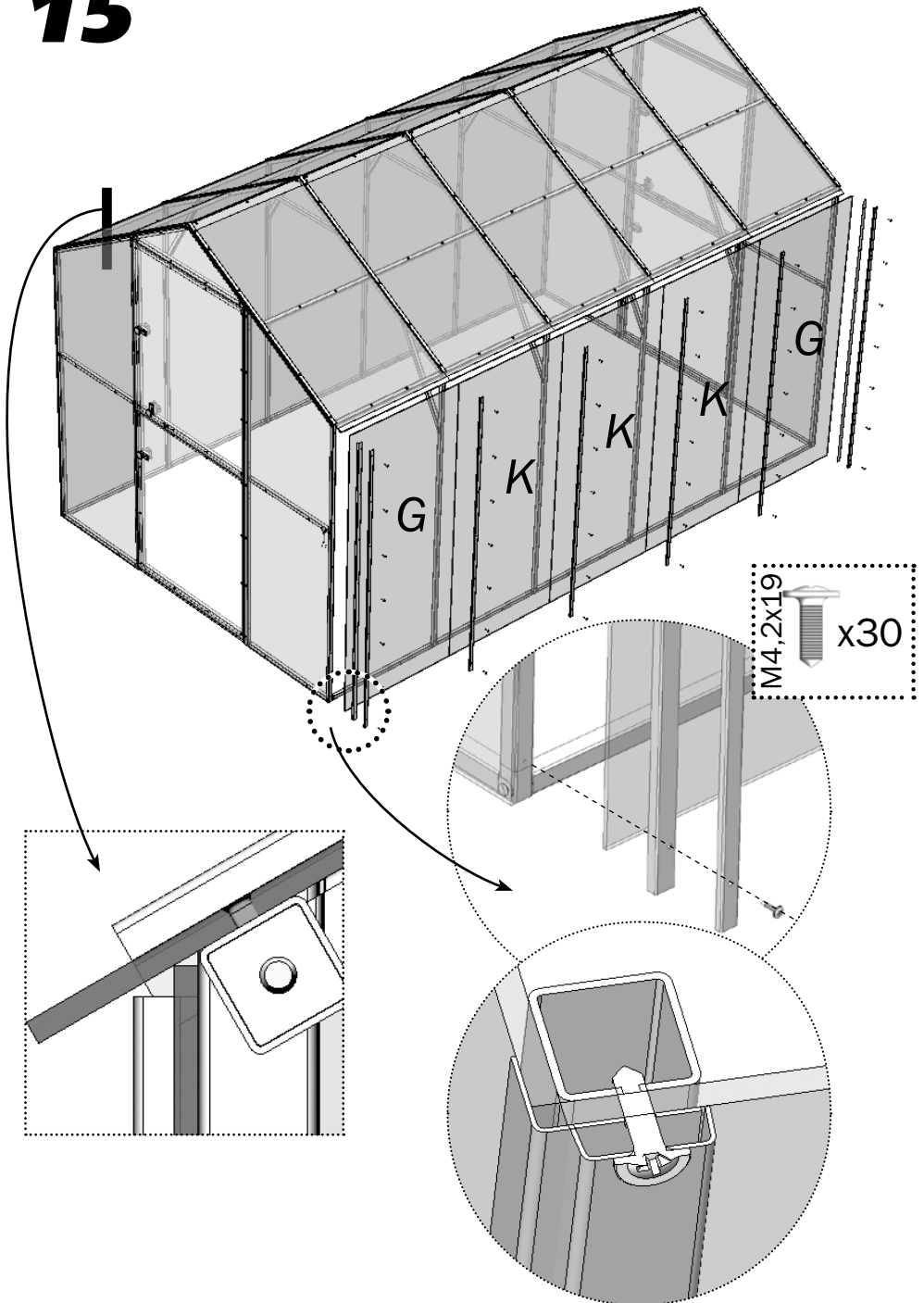


- | | | |
|---------|--|-----|
| M4,2x19 | | x20 |
|---------|--|-----|



- | | | | |
|--|----|---------|----|
| | x1 | | x1 |
| | x1 | M4,2x19 | |

15



Contact information

Austria



Belgium



Croatia



Denmark



Estonia



Finland



France



Germany



Ireland



Italy



Latvia



Lithuania



Nederland



Norway



Poland



Portugal



Spain



Sweden



Switzerland



UK

