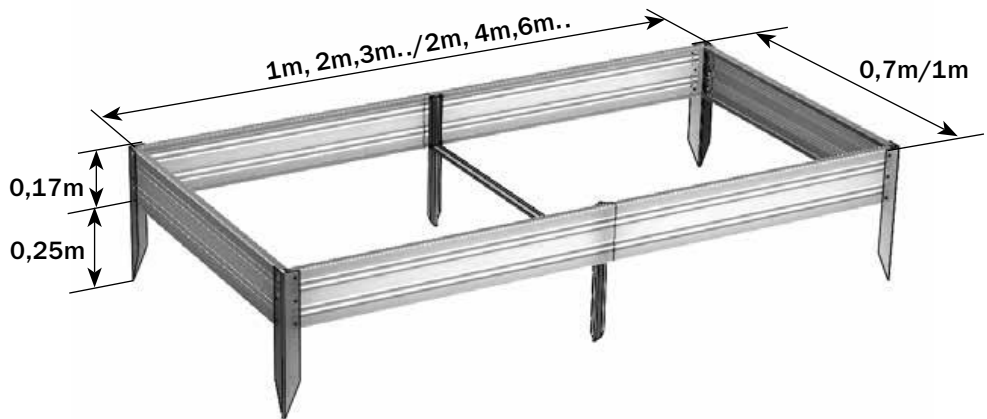

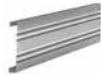








DANCOVER[®]



Manual
for
Raised Bed 1x2m
for Greenhouse



Detailed set of parts for Seedbed for greenhouse				
Border				
Nº	view	name	length, m	quantity, pcs
1		Transverse part	0,95/ 0,65	2
2		Lateral part without a lock	0,98/ 1,98	2
3		Corner strap	0,42	4
4		Sharp-tipped screw		24
Insert (border extension)				
5		Clamper	0,42	2
6		Lateral part with a lock	1,98/ 0,98	2
7		Tie	0,95/ 0,65	1
8		Sharp-tipped screw		8

Description

Galvanized border is designed to shape seedbeds in garden and household plots, in open ground and in greenhouses. Bed width is 1 m or 0.7 m. The required length is provided by the purchase of additional packages with extension inserts that add 1 m or 2 m to the basic length. Height of an installed border is 17 cm above the ground level, while its support legs should go down into the soil 25 cm deep.

After placement of the assembled border on the bed, press gently to push the clampers and corner straps into the soil without slanting.

Before the start of operation the seedbed should be assembled in accordance with the instruction. There is no need to dismantle it for the winter period.

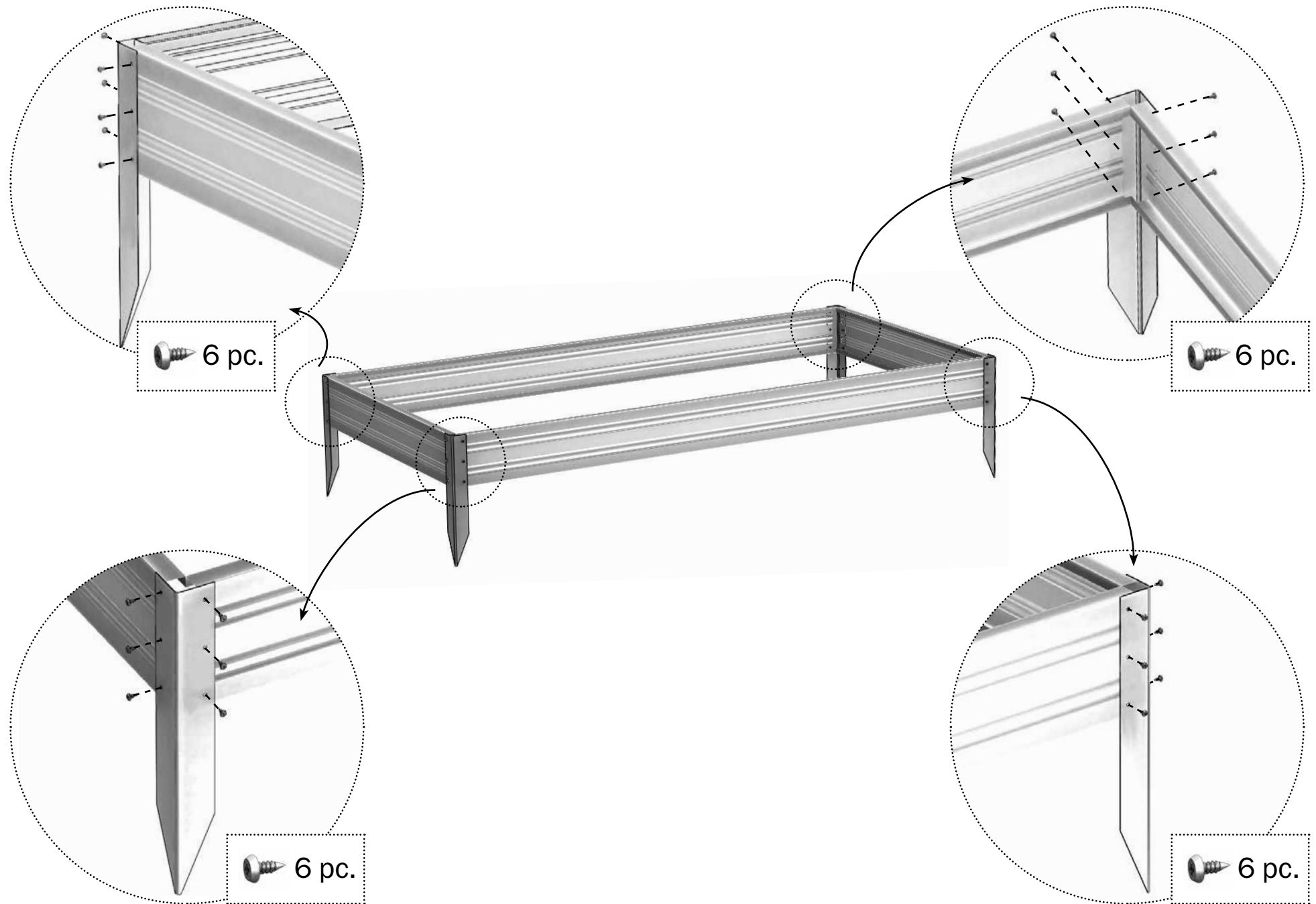
Warranty liabilities

1. The manufacturer is responsible for the completeness of parts.
2. The manufacturer is responsible for assemblability of the border in accordance with instructions.
3. Term for making claims is 12 months from the day of purchase.

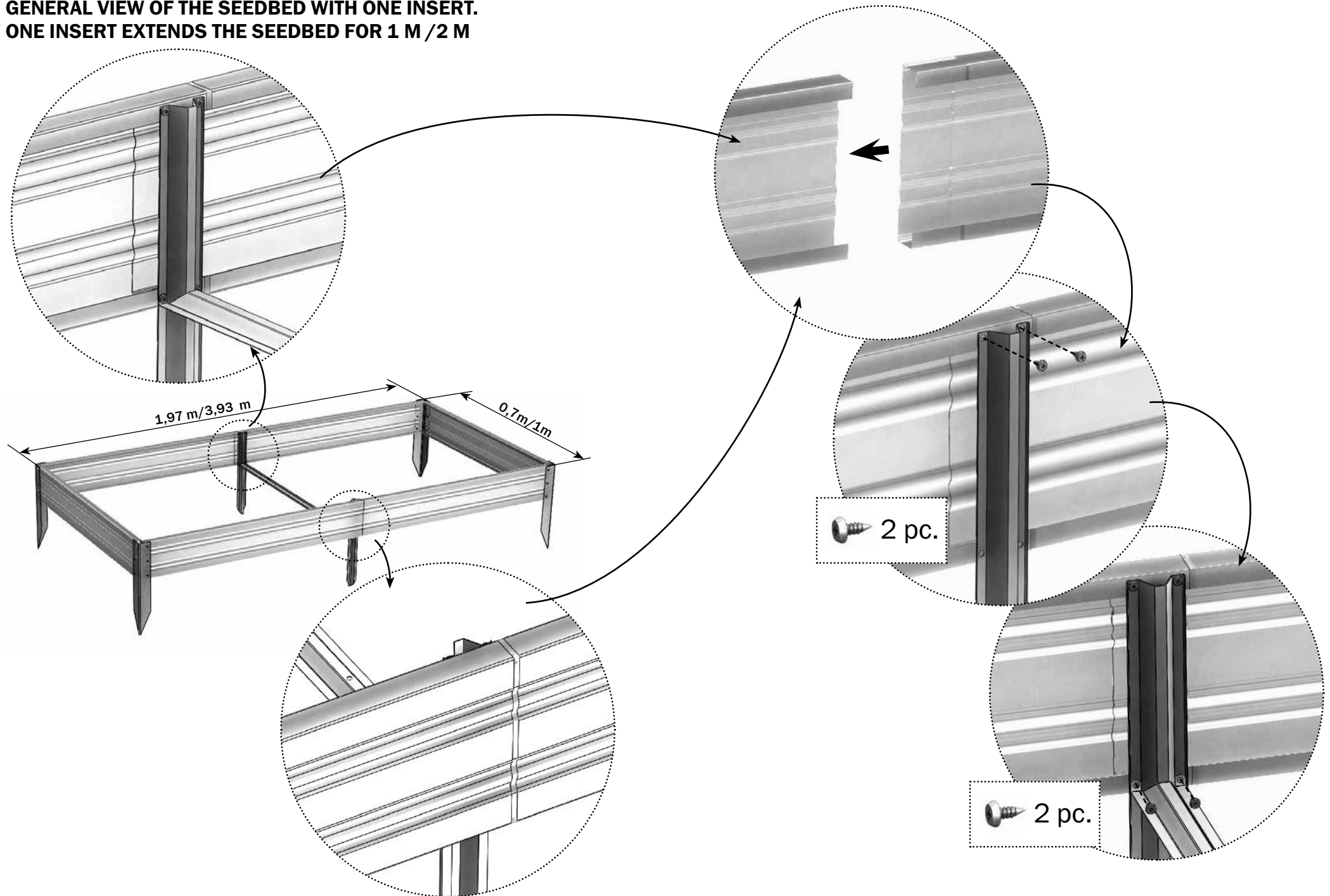
Terms of warranty liabilities

- Warranty does not apply to cases of:
1. Installation of the border in violation of instruction requirements.
 2. Deformations of the border due to soil movements.
 3. Damage to the border in the course of operation shall not provide any grounds for making claims.

The company reserves the right to make changes in the seedbed design.



**GENERAL VIEW OF THE SEEDBED WITH ONE INSERT.
ONE INSERT EXTENDS THE SEEDBED FOR 1 M / 2 M**



Contact information

Austria



Belgium



Croatia



Denmark



Estonia



Finland



France



Germany



Ireland



Italy



Latvia



Lithuania



Nederland



Norway



Poland



Portugal



Spain



Sweden



Switzerland



UK

