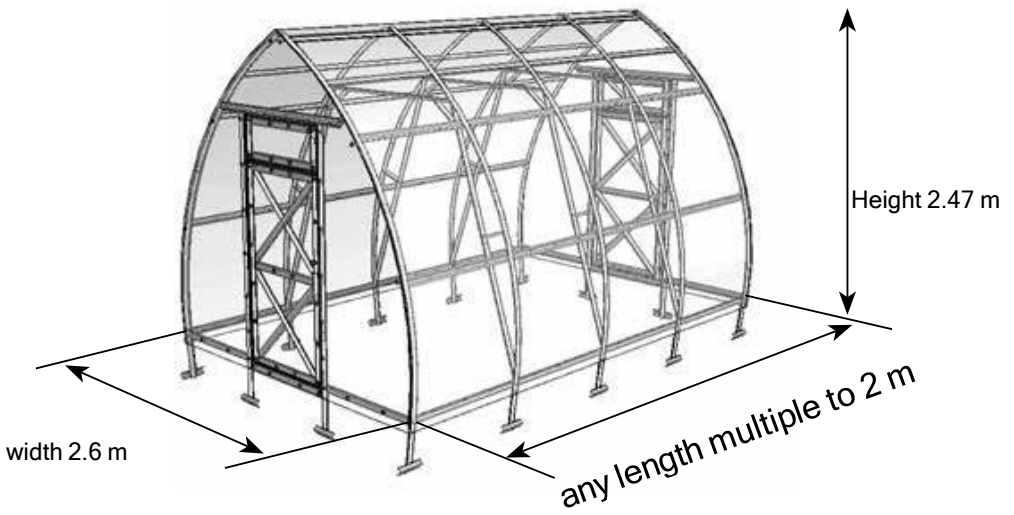


**DANCOVER<sup>®</sup>**



Manual  
for  
Greenhouse ARROW







**Perform assembling and operation of the greenhouse in strict accordance with the manual and operating rules stated in the technical certificate. Please keep this technical certificate for further reference.**

### Description

Greenhouse Arrow is intended to create the microclimate favorable for growing garden and allotment crops in gardens and household plots. The area of covered ground depends on the length of the greenhouse (Table 1). The high of the installed greenhouse frame is 2.5 m, and the width of 2.6 m is optimal for two garden beds inside. The greenhouse may be of different length depending on the customer's wish. The required length of the greenhouse can be attained by purchasing additional "Extension" packages each adding 2 m to the base length 2 m (Table 2).

Table 1 Parameters of greenhouse	
Length m	covered area m <sup>2</sup>
2 m	5.2 m <sup>2</sup>
4 m	10.4 m <sup>2</sup>
6 m	15.6 m <sup>2</sup>
8 m	20.8 m <sup>2</sup>

The greenhouse frame is made of zinc-coated iron and assembled with screws and nuts. The greenhouse is fixed to the ground by digging special supports into the soil or by joining it to a foundation slab with fastening hooks. The supply package includes everything you need for fastening the cover surfaces. Cover surface sheets are supplied following the customer's request. The greenhouse has two door openings and two ventilating windows in the opposite ends. Side ventilating windows are supplied following the customer's request.

ARROW	Base Box				Ext. Box	
	1/4	2/4	3/4	4/4	1/2	2/2
<b>BASE</b> 	1	1	1	1	-	-
<b>EXTENTION</b> 	-	-	-	-	1	1

### **Operation rules**

Before assembling please check to ensure all parts shown in the supply set have been received. When installing the greenhouse or using a third party, the buyer should check the assembly quality to ensure compliance with the assembly manual instructions.

Install the greenhouse at least 2 metres from buildings and at least 2 metres from the canopy of trees.

The greenhouse is designed to withstand the wind speed no more than 24 m/sec.

In winter, coverage of greenhouse should not be removed provided that snow load is limited. Should greenhouse be unattended all winter period, buyer should either remove the coverage or estimate possible snow load. Ultimate load for the frame having complete box with installed drawbars and side braces appears under 450 kg snow cover per 1 m<sup>2</sup> of horizontal ground surface corresponding to 2.25 m fresh snow layer or 1.1 m packed snow layer.

### **Cleaning and washing polycarbonate panels**

1. Rinse the panel with warm water.
2. Wash the panel with a mild soap solution or household detergent and warm water, using a soft cloth or sponge to remove dirt.
3. Rinse with cold water and wipe with a soft cloth.

Do not use abrasives or highly alkaline cleaning agents to clean polycarbonate panels. Dry wiping of the surface will damage the protective layer of the glazing and shorten its effective life. Do not rub the surface of polycarbonate panels with brushes, metallic fabric or other abrasive materials. When disinfecting a greenhouse from pathogens of fungal and bacterial diseases, do not apply sulfur candles to avoid corrosion of the frame.






### **Warranty liabilities**

Claim submission period is 24 months from the date of purchase. Warranty does not apply to cases if:















1. Installation of the structure in violation of the requirements of the instructions.
2. Violation of the operating rules.
3. Misuse of the structure.
4. The presence of corrosion traces on the cutoffs of parts, because this does not affect the performance of the structure.
5. Greenhouse deformations due to excess of snow load stated in the technical certificate of the greenhouse.
6. Greenhouse deformations due to soil movement.
7. Floods, hurricanes, and other natural disasters.

## STANDARD SUPPLY SET
















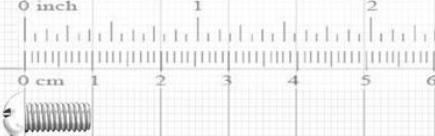

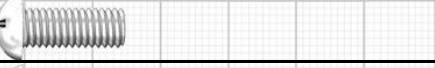
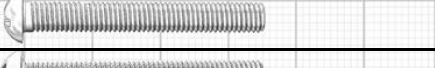
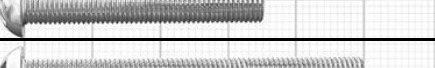


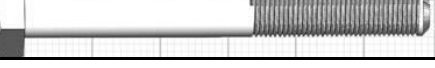
## Box 1/4

№	marking	view	denomination	length, m	q-ty, pcs
1	4H		Bottom arc	1.5 m	6
2	4B		Upper arch	1.5 m	6
3	8		Upper door opening stand	1.5 m	4
4	12		Door vertical element	1.49 m	4
5	PK		Profile	1.05 m	4





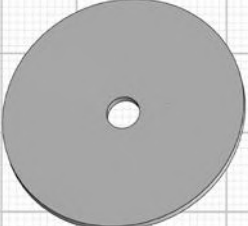
## Box 2/4

№	marking	view	denomination	length, m	q-ty, pcs
6	1		Stand	0.35 m	10
7	3		Support	0.2 m	10
8	5		Butt end upper strainer	1.22 m	2
9	6		Butt end lower strainer	0.82 m	6
10	7		Bottom door opening stand	0.47 m	4
11	9		Horizontal strainer	1.27 m	1
12	10		Side brace	1.06 m	4
13	11		Brace spreader	0.25 m	2
14	13		Door horizontal part	0.67 m	6
15	16		Butt end strap	1.28 m	2
16	17		Door strap for the latch	0.15 m	4
17	18		Reinforcement nogging piece	0.32 m	2
18	-		Reinforcement end	0.74 m	4
19	-		Ridge cover plate	1.14 m	2







**Box 2/4**

20	-		Hinge strip	3.6 m	1
21	-		Door strip	10 m	1
22	-		Butt end strip	6 m	2
23	-		Angle		20
24	-		Corner of arcs		3
25	-		Bracket		8
26	-		Top metal fastening band		3
27	-		Bottom metal fastening band		6
28	-		Hinge		8
29	-		Semi finished rotator (with 2 elastic headers)		4
30	-		Tube bend spinner		1
31	-		Handle		8
32	-		Pin		4
33	-		Adhesive tape		1
34	-		Double sided tape		1
35				M4x10 screw	10
36				M5x10 screw	378
37				M5x14 screw	22
38				M5x35 screw	108
39				M4x35 screw	8
40				M5x50 screw	12
41				4.8x13 self drilling screw	8
42				M6x60 bolt	6

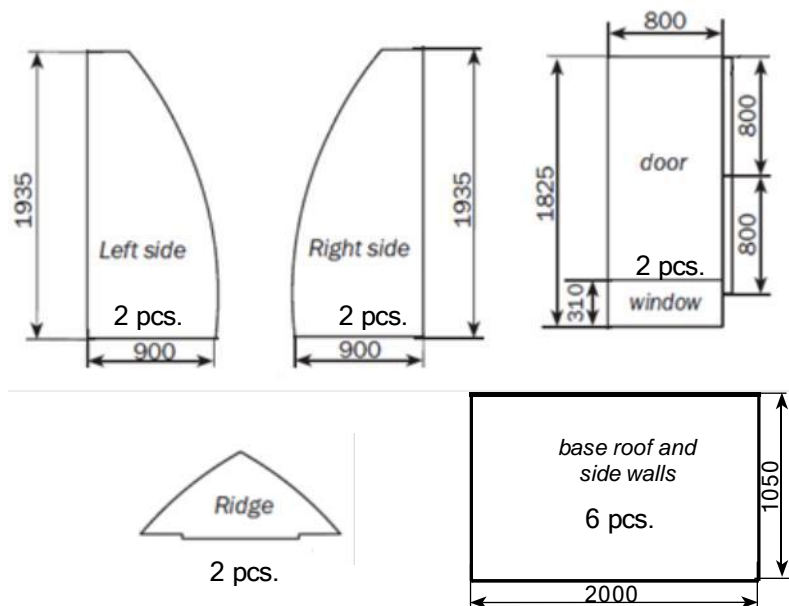
**Box 2/4**

43		M4 nut	20
44		M5 nut	14
45		M6 nut	612
46		6 washer	6
47		32x5 washer	12
















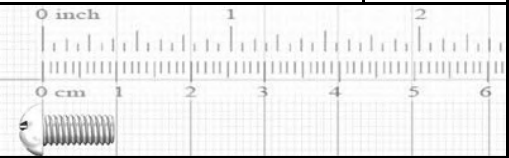


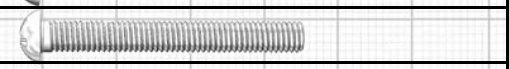
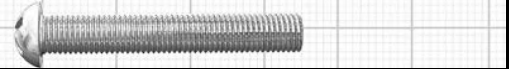
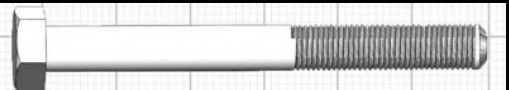
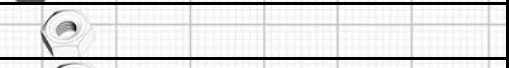

**Box 3/4**

No	marking	view	denomination	length, m	q-ty, pcs
48	2		Balk	0.96 m	20
49	14		Small door diagonal	0.9 m	4
50	15		Large door diagonal	0.97 m	4
51	19		Window horizontal element	0.67 m	4
52	20		Window vertical element	0.31 m	2
53	-		Hook for door and small windows	-	4

**BOX 4/4**

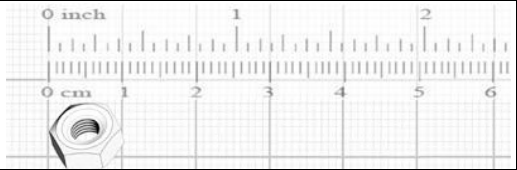

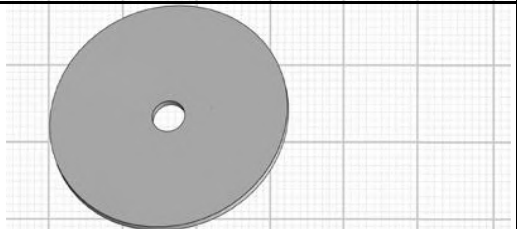


**BOX EXTENSION**
**BOX 1/2**

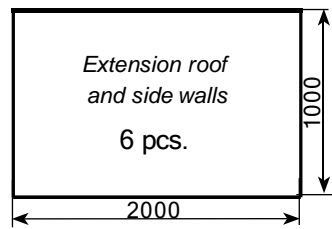
№	marking	view	denomination	length, m	quantity, pcs
1	<b>2</b>		Balk	0.96 m	20
2	<b>4H</b>		Bottom arc	1.5 m	4
3	<b>4B</b>		Upper arch	1.5 m	4
4	<b>1</b>		Stand	0.35 m	4
5	<b>3</b>		Support	0.2 m	4
6	<b>9</b>		Horizontal strainer	1.27 m	2
7	<b>10</b>		Side brace	1.06 m	8
8	<b>11</b>		Brace spreader	0.25 m	4
9	<b>18</b>		Reinforcement nogging piece	0.25 m	4
10	-		Ridge cover plate	1.14 m	2
11	<b>P</b>		Profile	1.0 m	4
12	-		Corner of arcs	2	2
13	-		Top metal fastening band	2	2
14	-		Bottom metal fastening band	4	4
15	-		Double sided tape	1	1
16	M4x10 screw				4
17	M5x10 screw				172
18	M5x14 screw				4
19	M4x35 screw				8
20	M5x35 screw				16
21	M6x60 bolt				4
22	M4 nut				12
23	M5 nut				192



**BOX 1/2**

24	M6 nut		4
25	6 washer		8
26	32x5 washer		16

**BOX 2/2**



## Introduction

Connect elements using profiles, screws and nuts. In this case, no matter what element is on top.  
Legend:

- Arrow indicates this side up. ➤

Be careful not to damage elements, because they don't have enough rigidity before final assembling.

Use supports (for example, chairs) on temporary stages of installation for uniform lifting of frame assembled. To coincide holes in complicated joints use a nail of 5 mm diameter or a drift pin with tapered end.

Some parts of the frame have free holes resulted from elements' uniformity.

Cellular polycarbonate panels are installed with a certain surface, which has a protective layer, outside (towards the sun). The protective layer usually has a side with the inscriptions on the transportation film. The other side of the film is transparent. Mark the protective side of the sheet in each panel because after removing the transportation film, the sides of the panel do not visually differ. The transportation film should be removed from both surfaces before fixing the glazing on the frame.

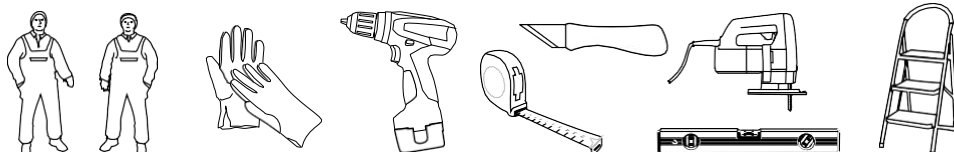
It is necessary to stick the adhesive tape over the open polycarbonate shearing surfaces.



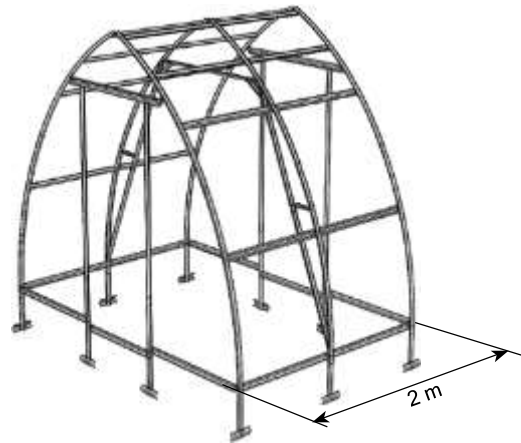
**When assembling the frame, connect elements using all available holes. Simplified connection with one or two screws is a violation of installation rules and a ground for warranty waiver**



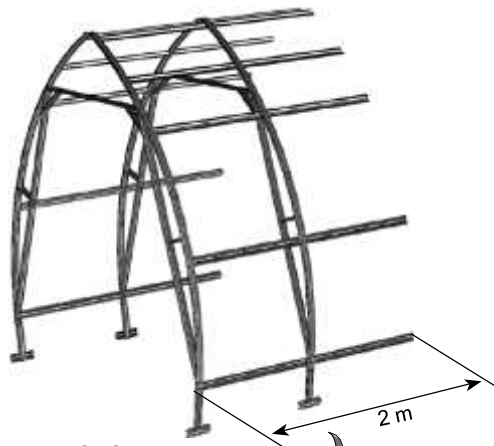
**Be careful! Parts of the frame have sharp angles. Guard against cutting. Work in safety gloves, safety glasses and approved work boots**



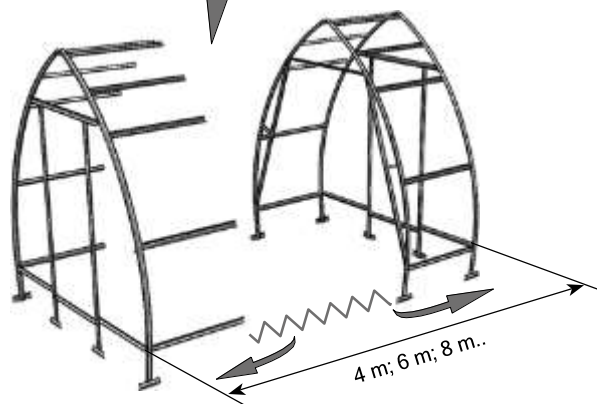
**General view of the frame, greenhouse Arrow**



**General view of the EXTENSION for greenhouse Arrow**

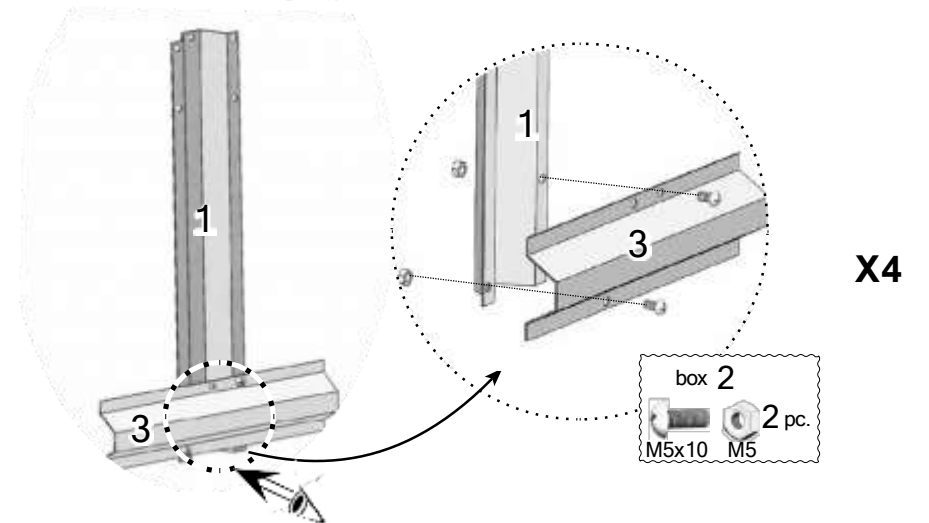
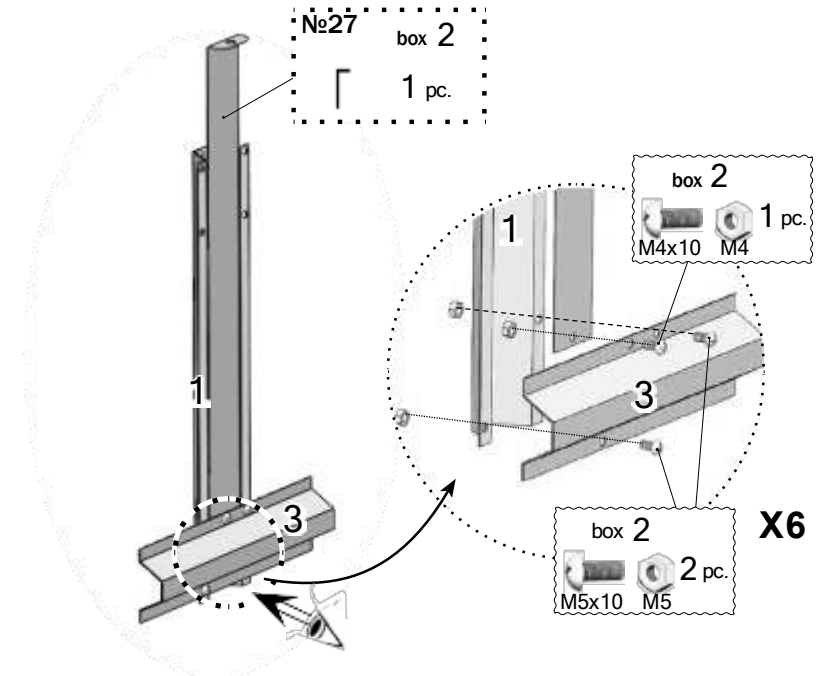
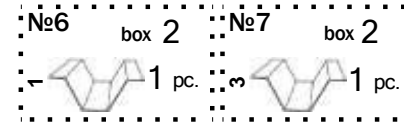


**Greenhouse Arrow extended by any number of Extensions:**

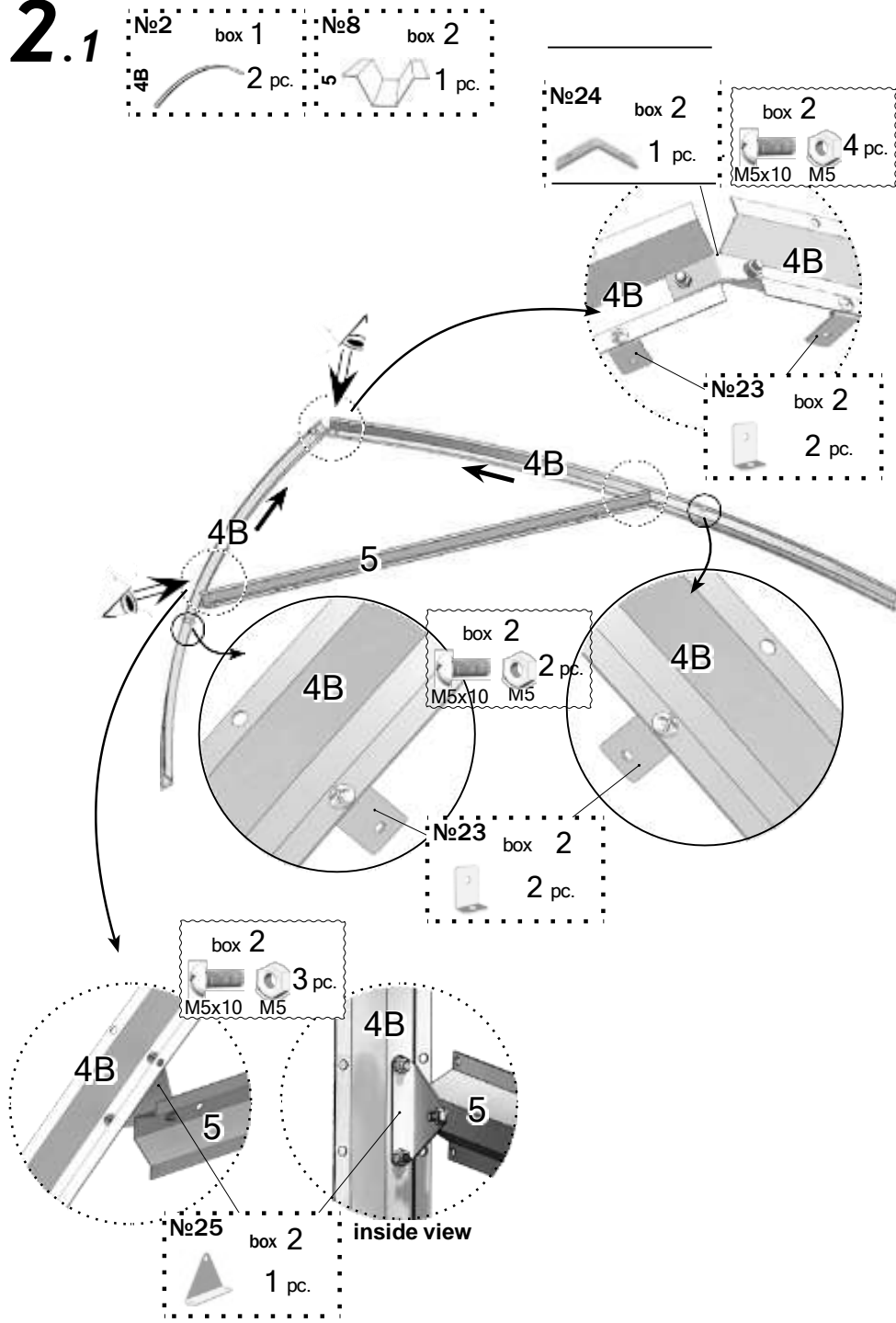


**1**

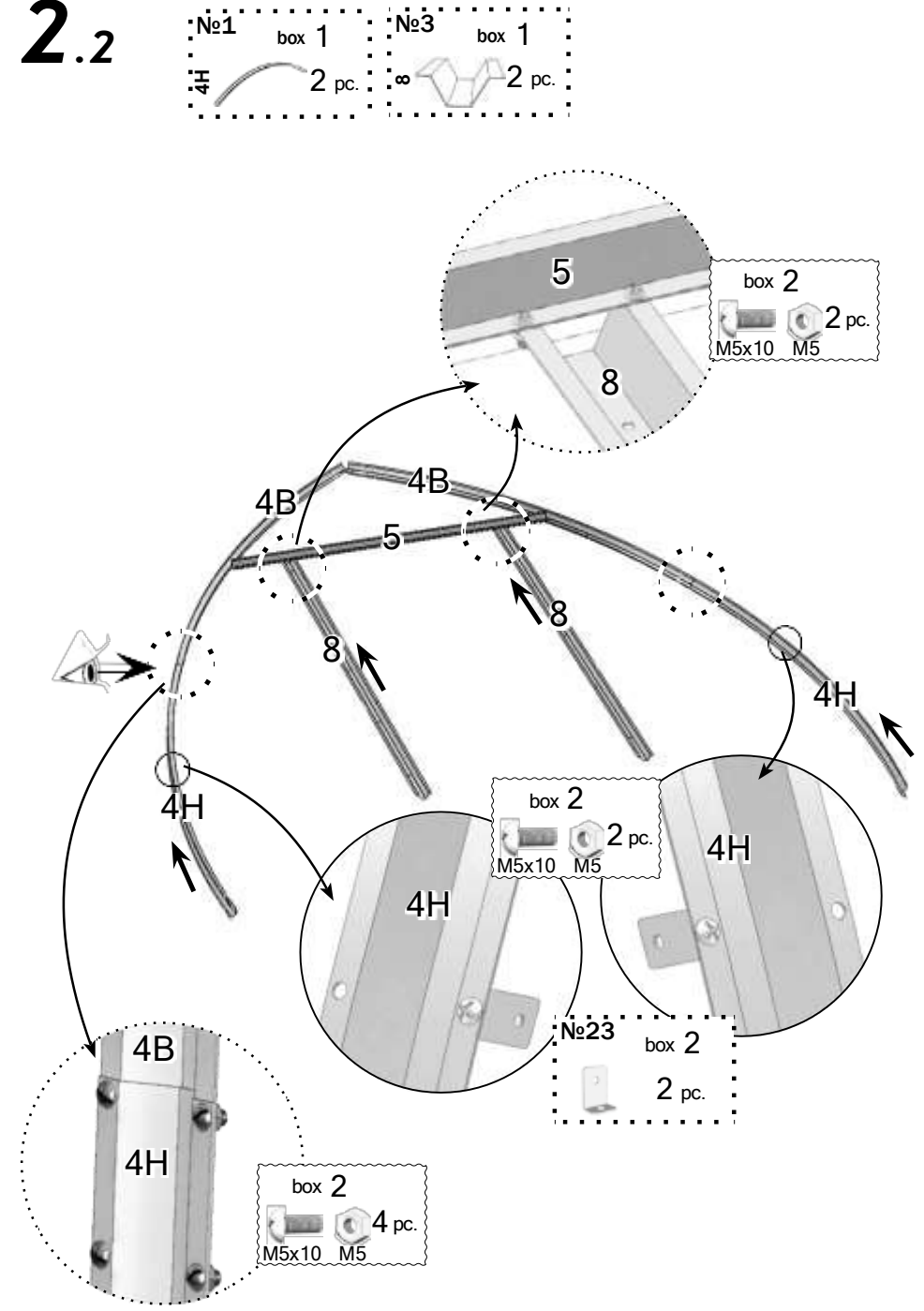
If the greenhouse is mounted on a foundation (see para. 4.4), the elements **1** and **3** are not assembled and are not mounted in the subsequent assembly.



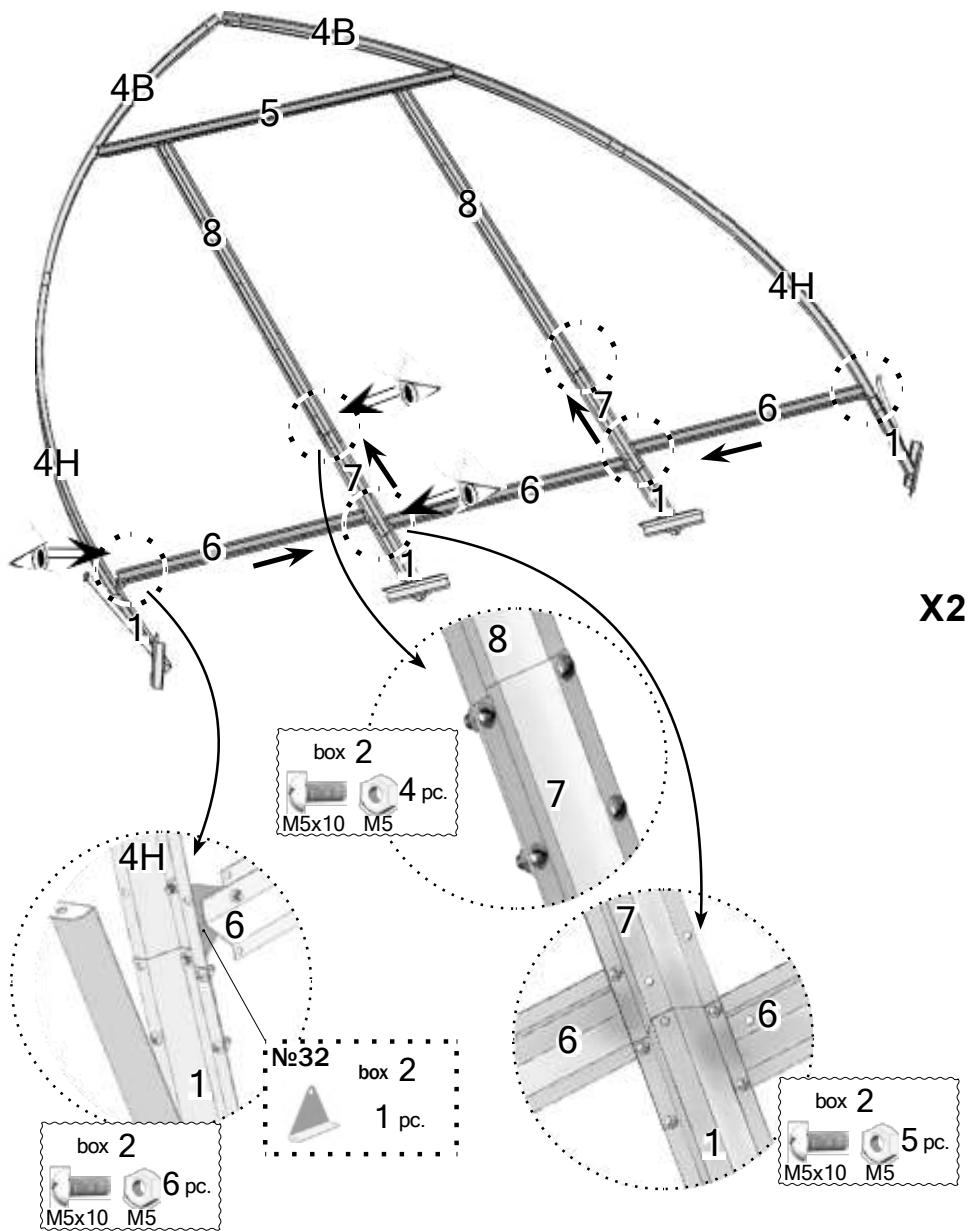
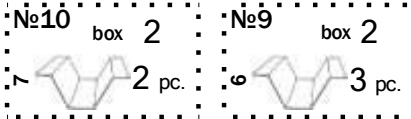
# 2.1



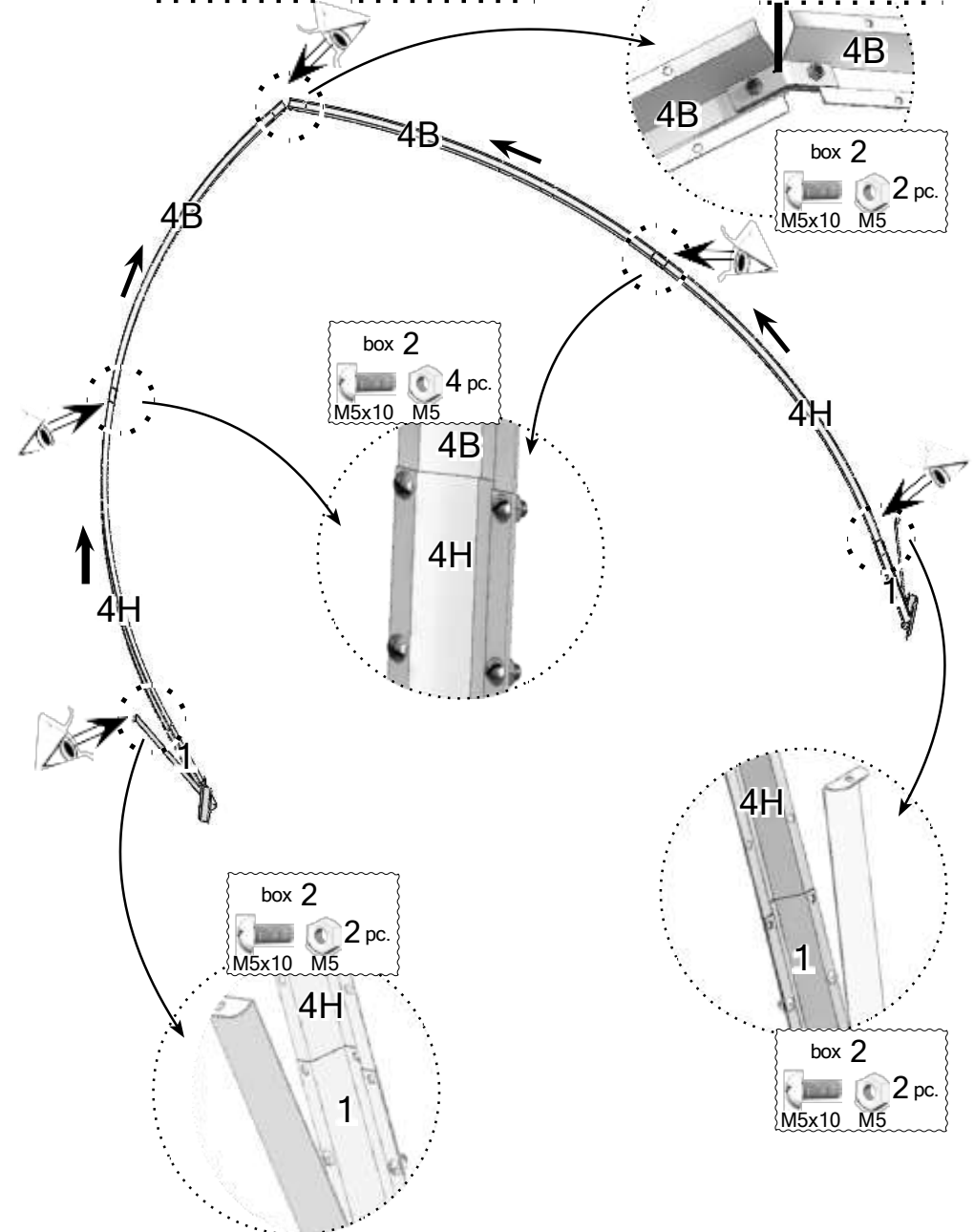
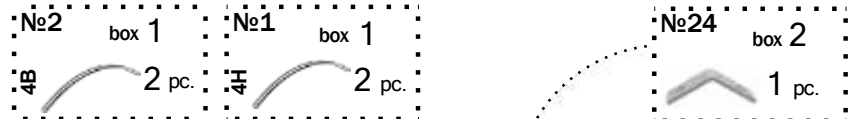
# 2.2



# 2.3

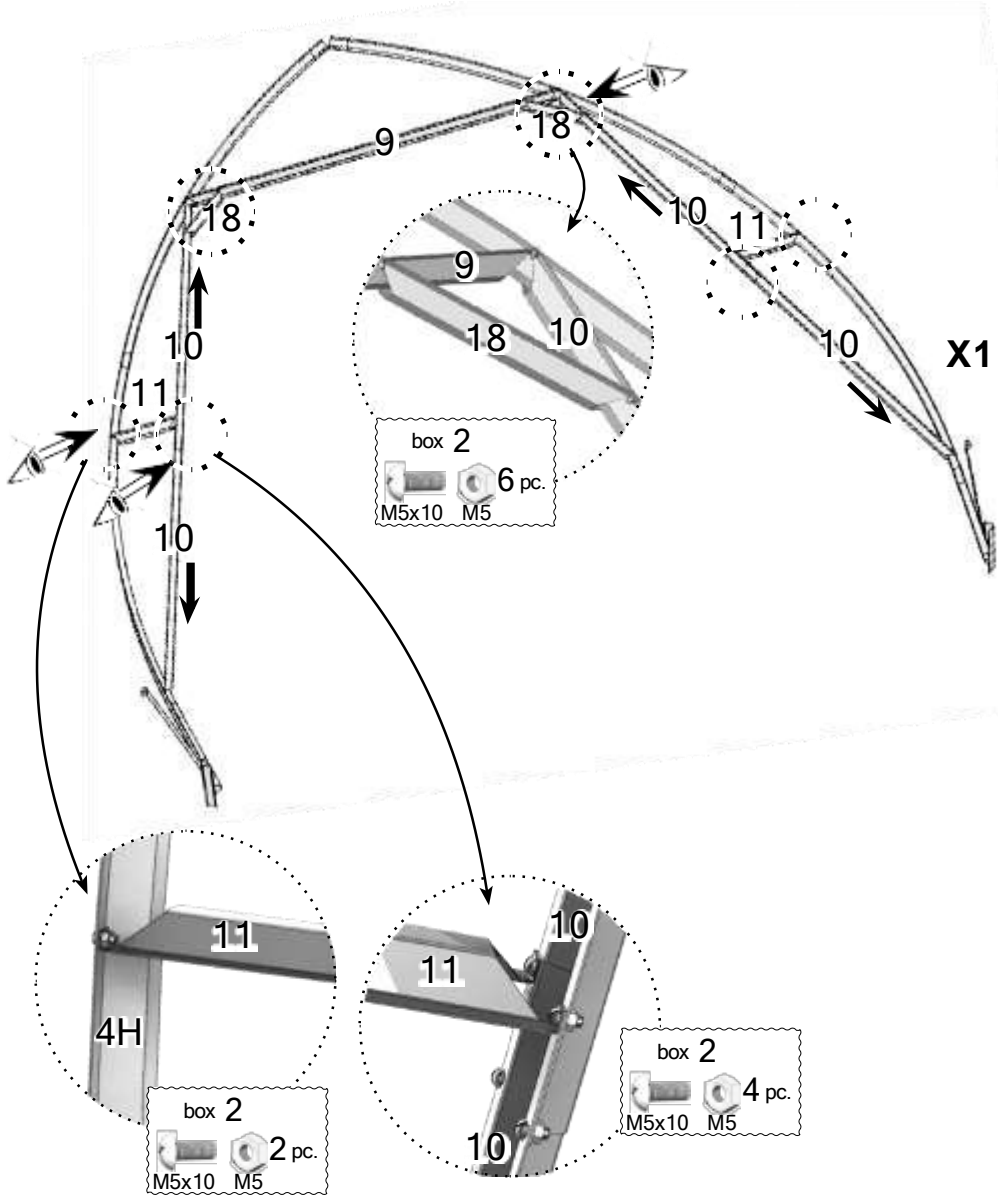


# 3.1



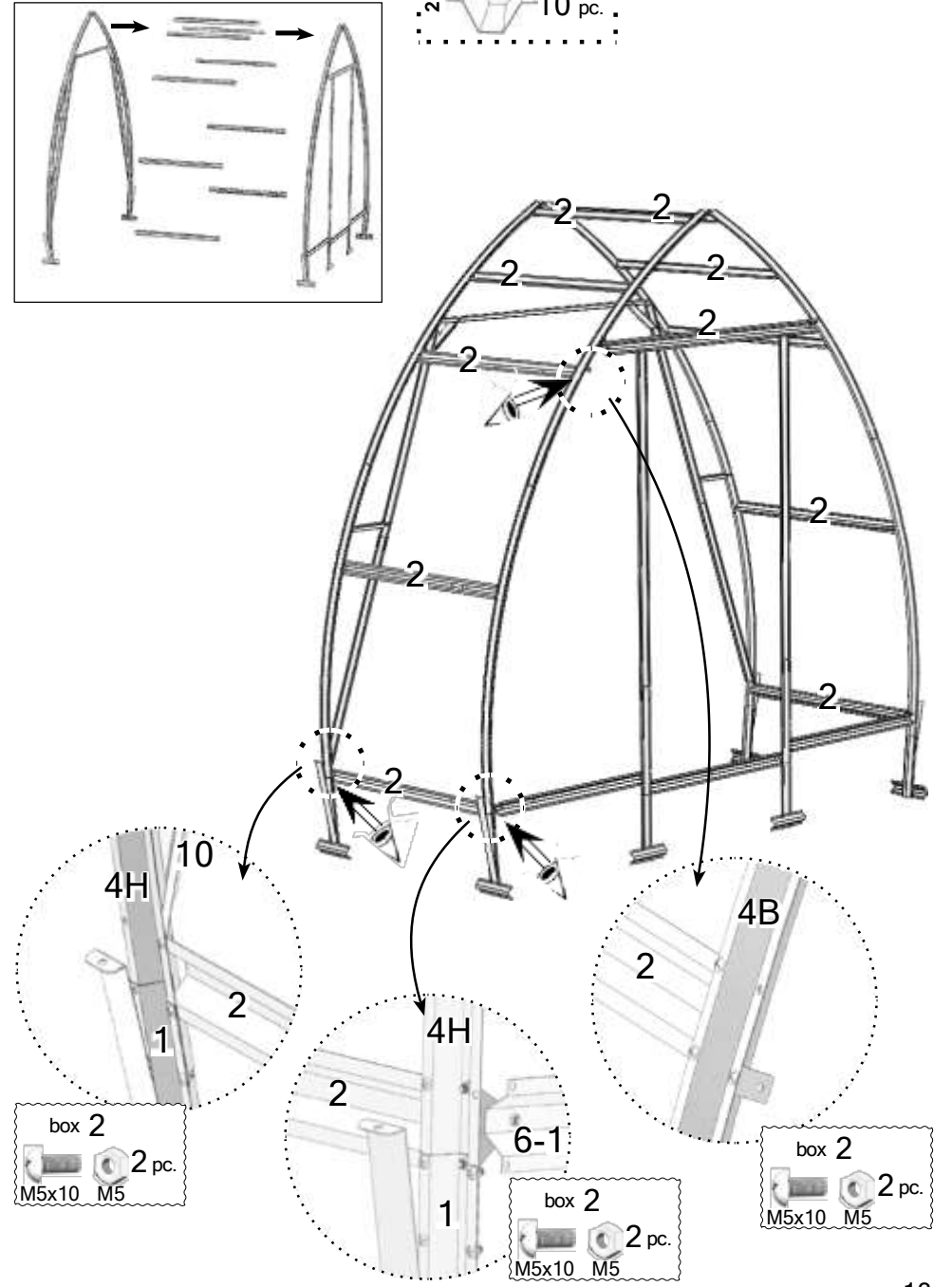
# 3.2

- №17 box 2
- №12 box 2
- №11 box 2
- №13 box 2



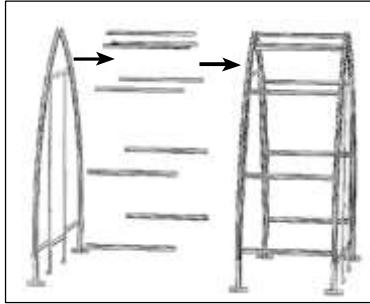
# 4.1

- №48 box 3

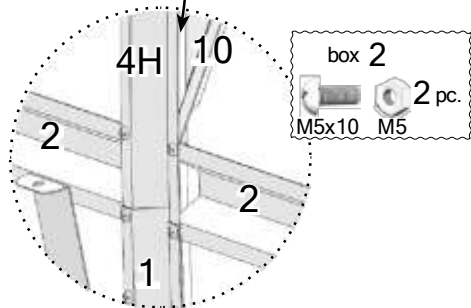
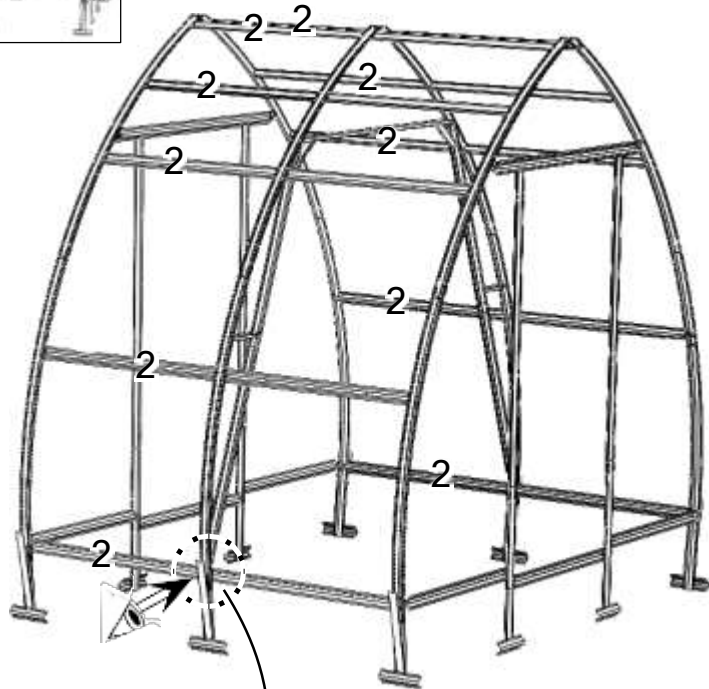




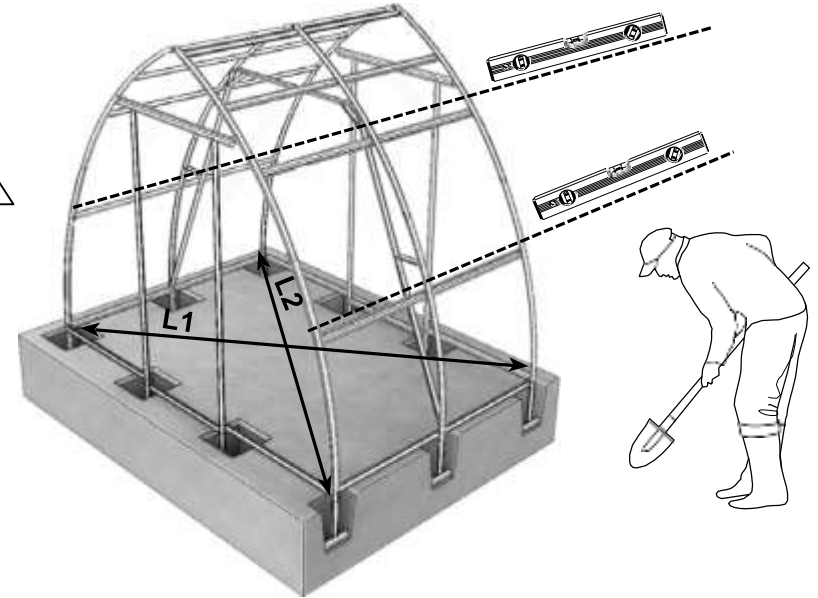
# 4.2



№48 box 3  
2 10 pc.

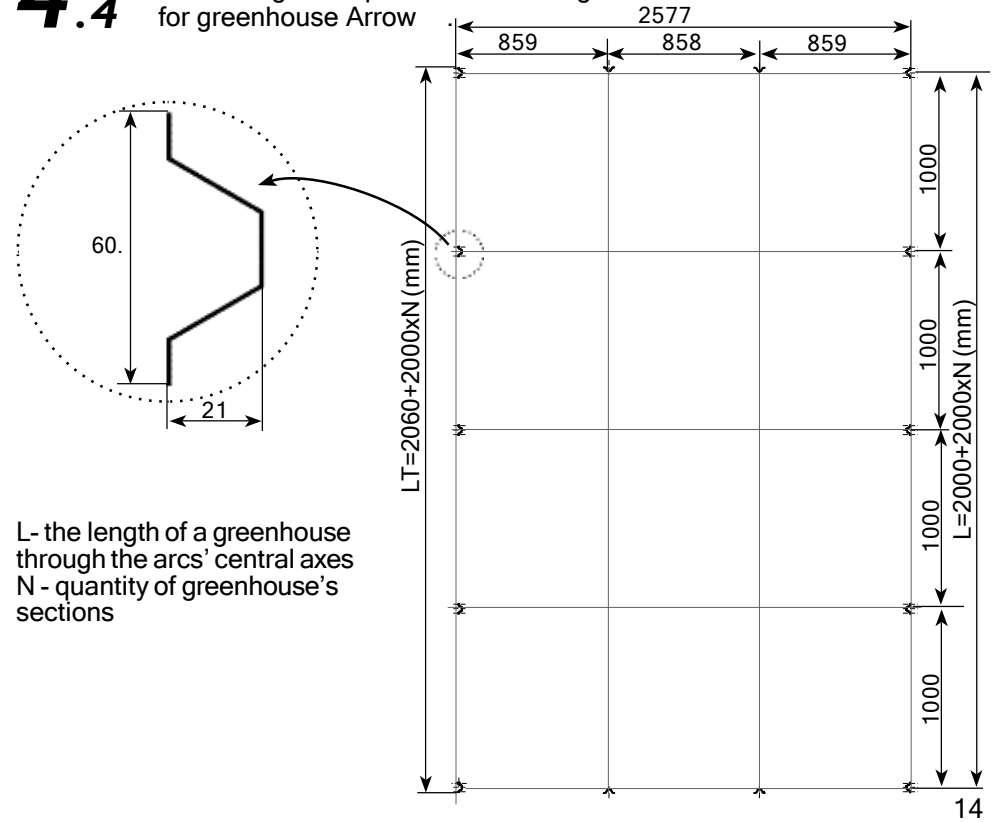


# 4.3

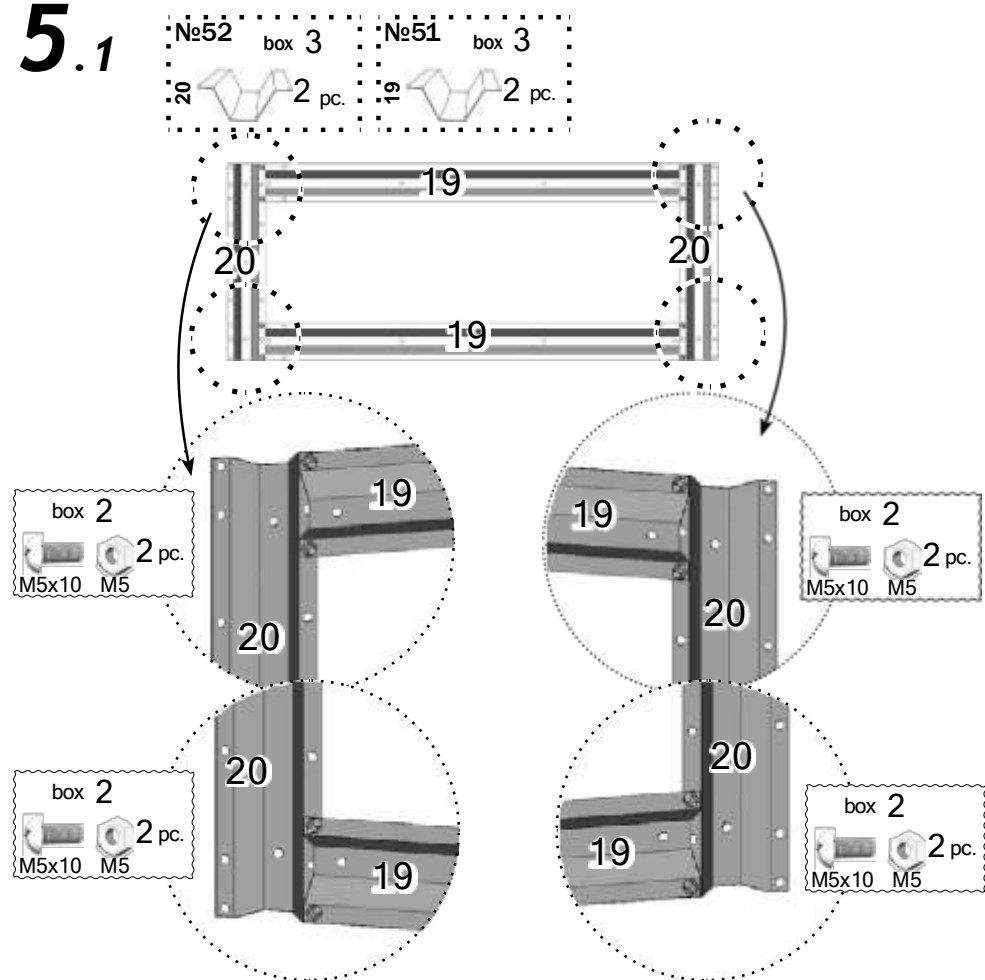


# 4.4

The arrangement plan stands of the greenhouse on the foundation for greenhouse Arrow

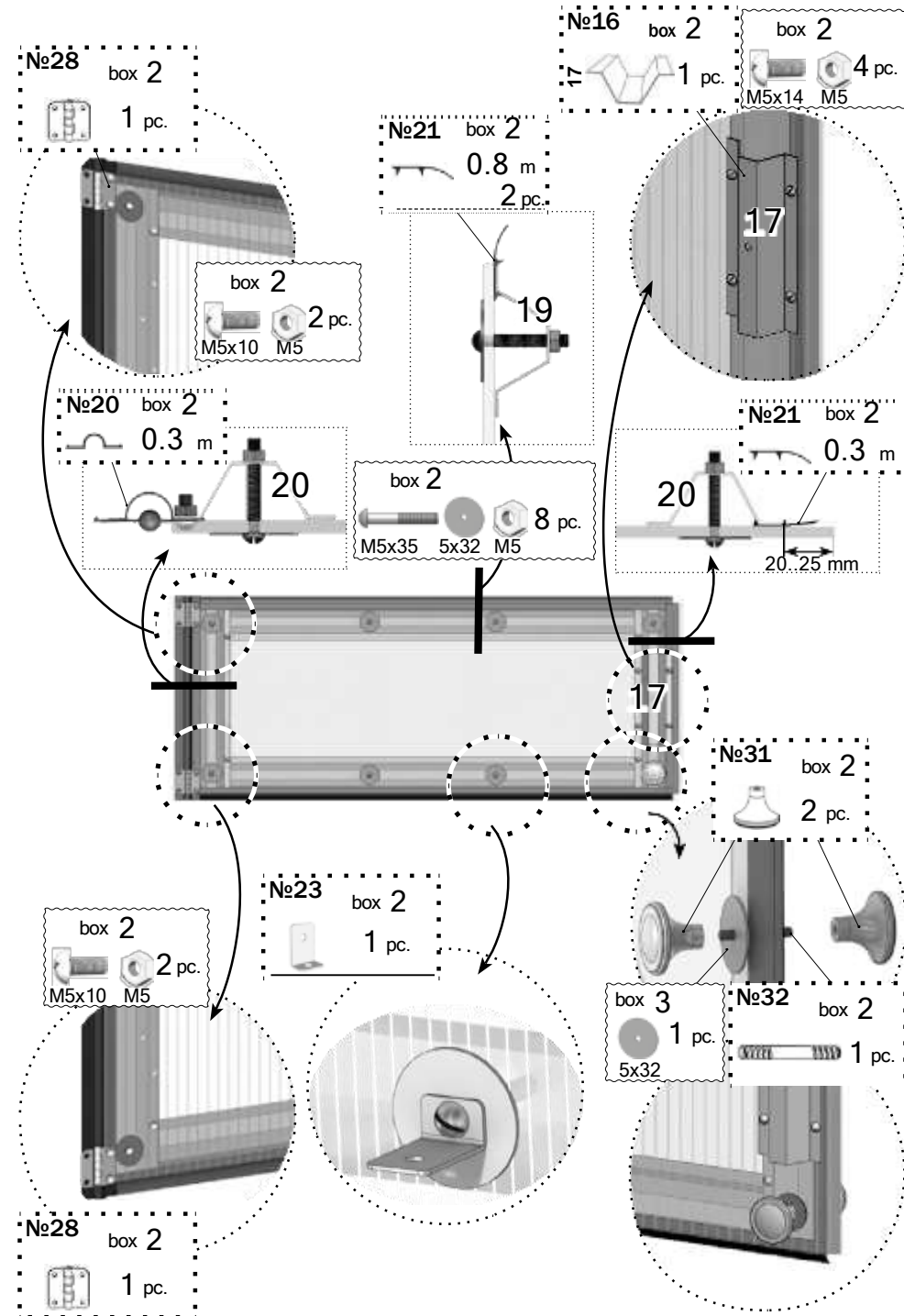


# 5.1



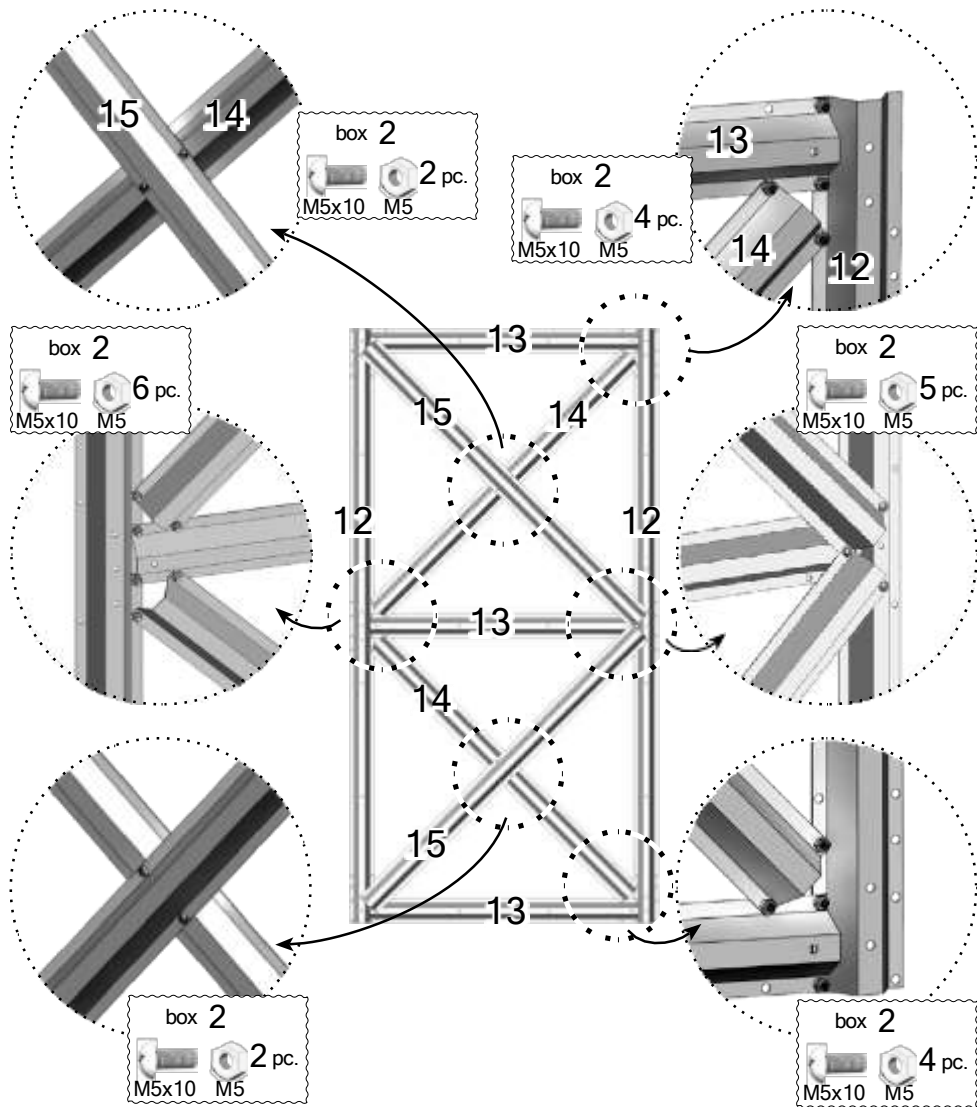
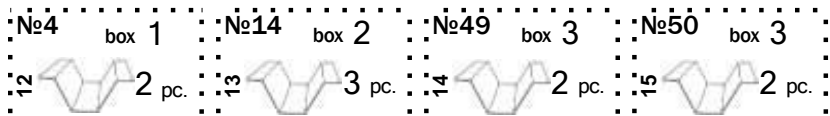
# 5.2

Fasten pieces of cover surface on the ventilating window with washers, letting the cover surface out in one side, covering the cellular structure beforehand (by sticking scotch tape on it). Weather strips are installed along the contour of ventilating windows.



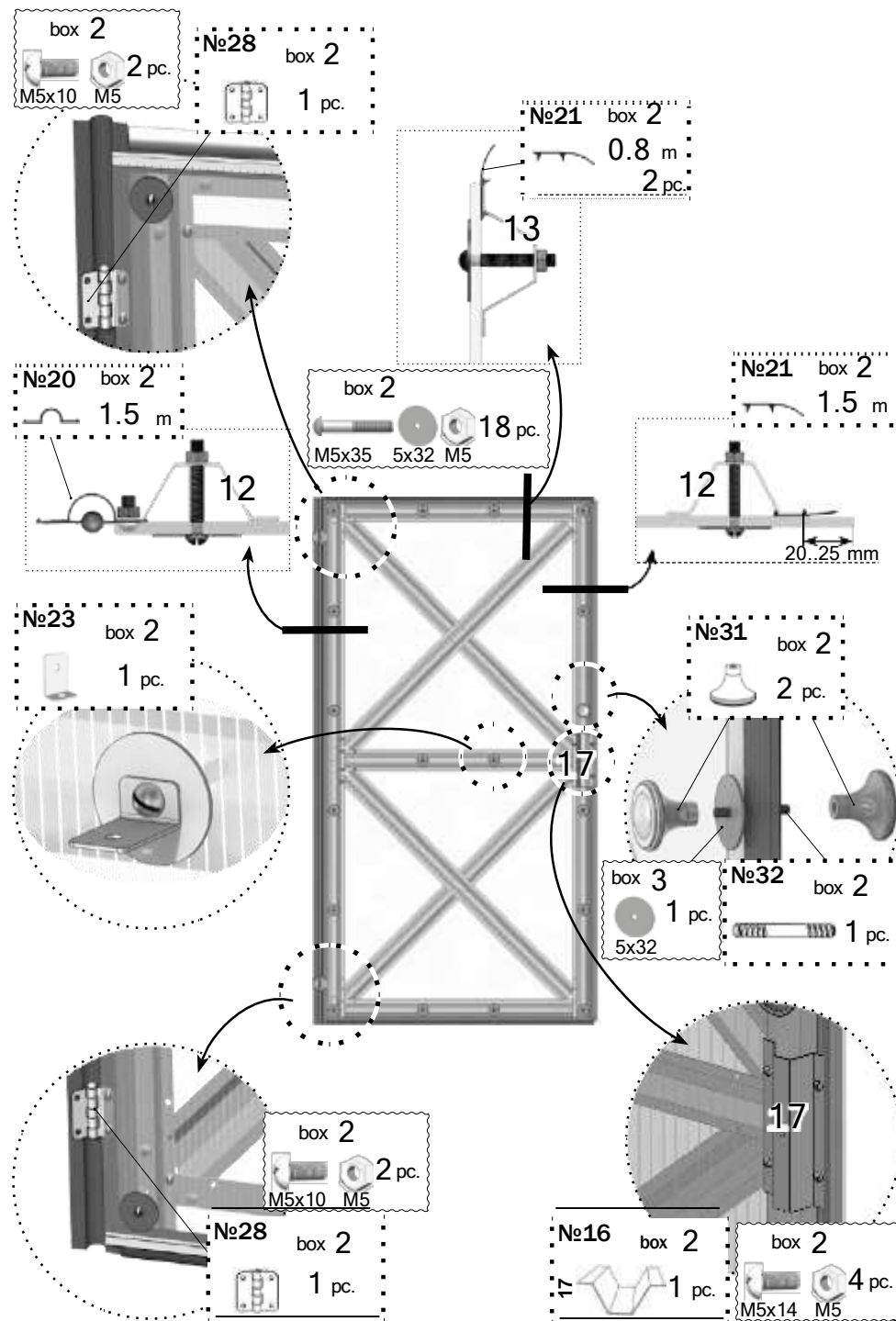


# 6.1




# 6.2

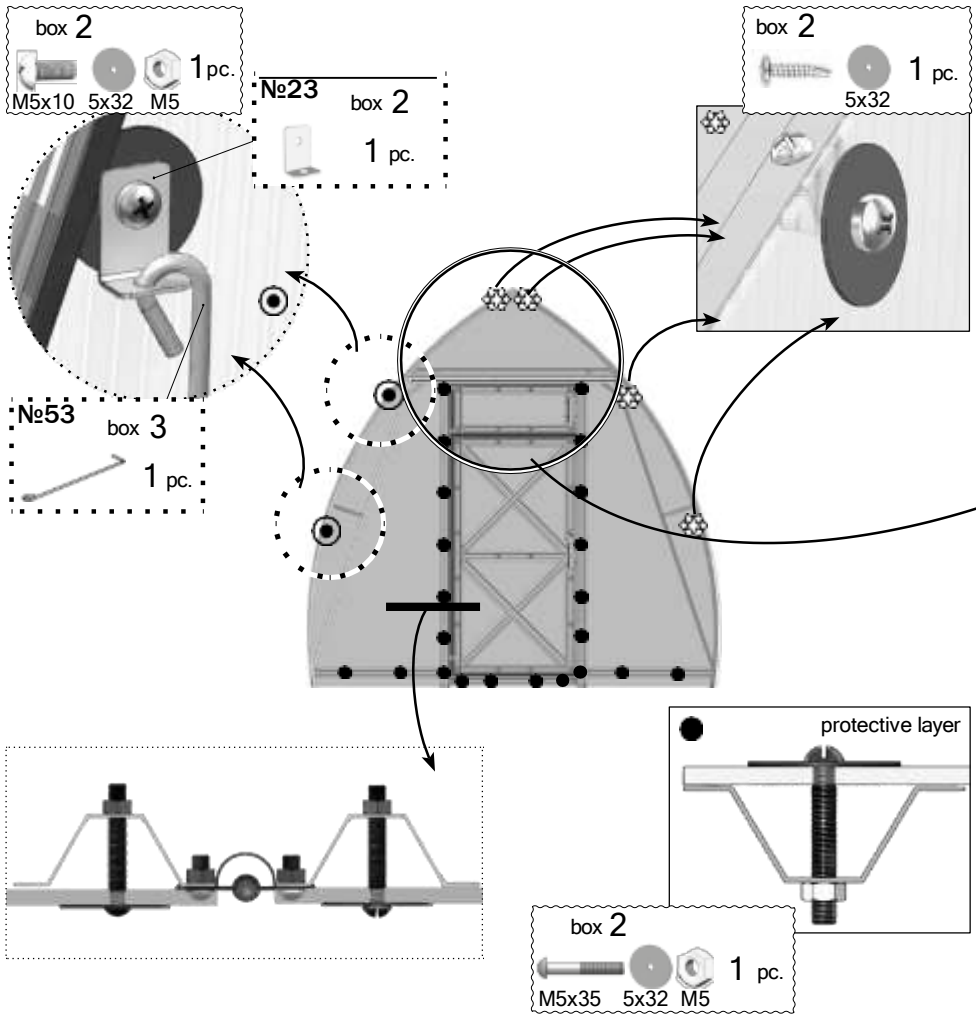
Fasten pieces of cover surface on the door with washers, letting the cover surface out in one side, covering the cellular structure beforehand (by sticking scotch tape on it). Weather strips are installed along the contour of doors.



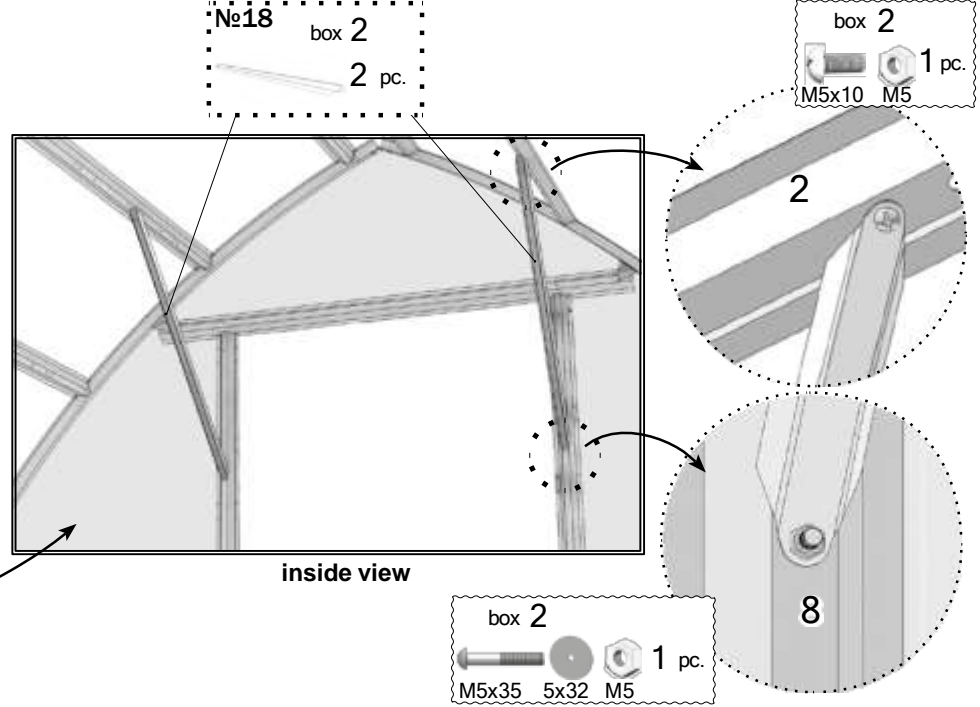
# 7.1


Mount side pieces of coverage. Holding a piece of coverage, fasten it with screws and washers by elements 6, 7, 8 and by angles using tap screws with washers. Holes for screws are drilled by boring bit of 5 mm diameter from inside of greenhouse through holes in frame elements.

 Mount cellular polycarbonate strictly facing sun with a side having protective layer (by all means, clarify it under purchase or before mounting). Protective layer usually is on the side with inscriptions on transport film. On the other side of sheet film is clear. Transport film is removed from both sides immediately before fastening coverage on the frame.

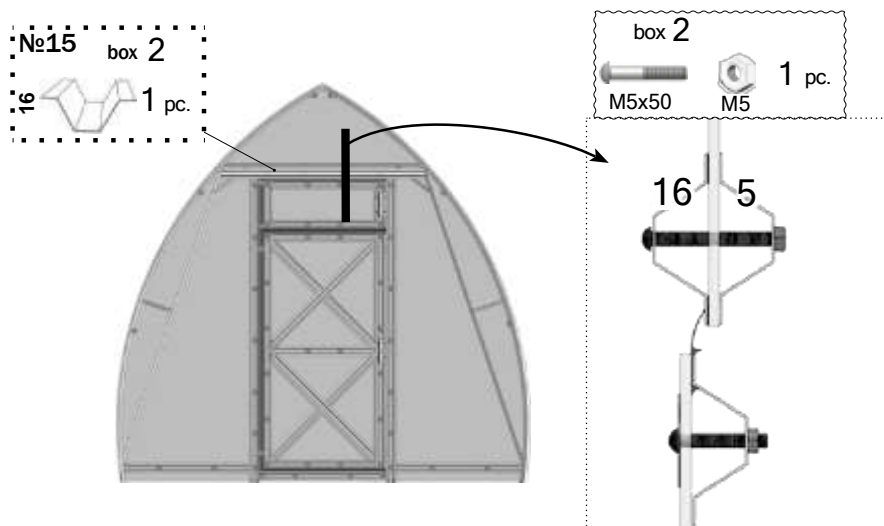


## Install reinforcing elements of door opening.

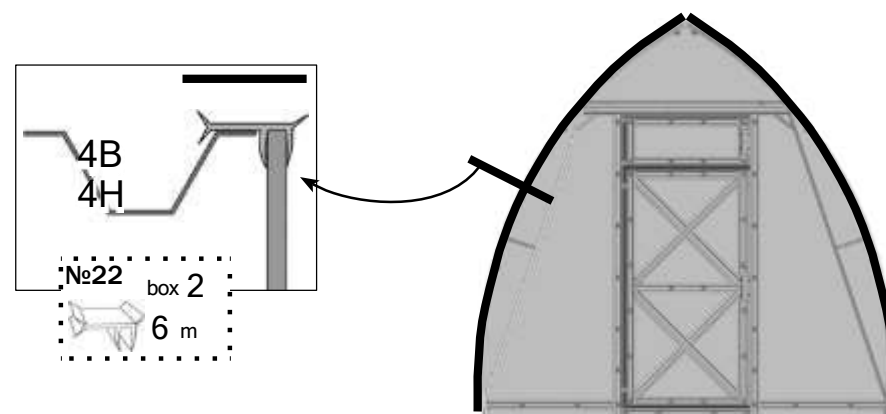


 Avoid over-tightening screws that fasten the polycarbonate in order not to damage the polycarbonate sheet and destroy its structure

**7.2** Place the butt end strap 16 onto butt end cover surface and fasten it onto part 5 through the surface. Under part 16 there is a joint between parts of butt end cover surfaces.

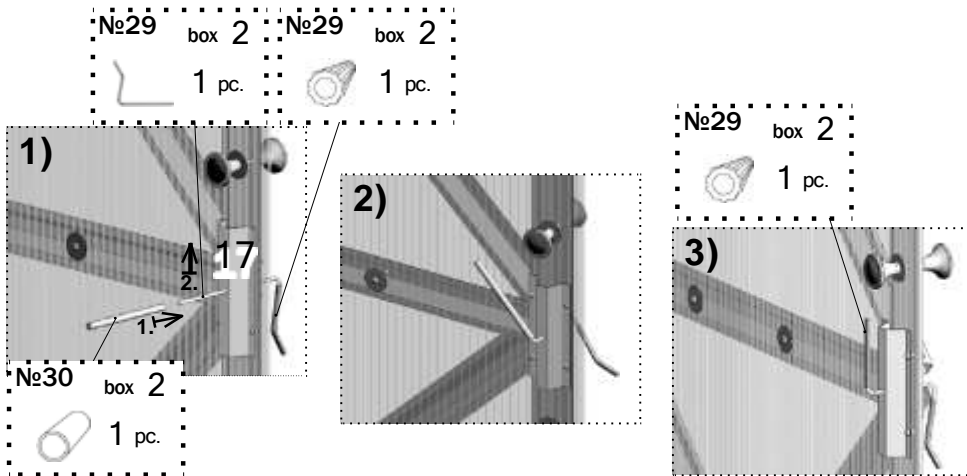


**7.3** Use a knife to smooth the cover surface according to the arches 4B and 4H, and then install weather strips.

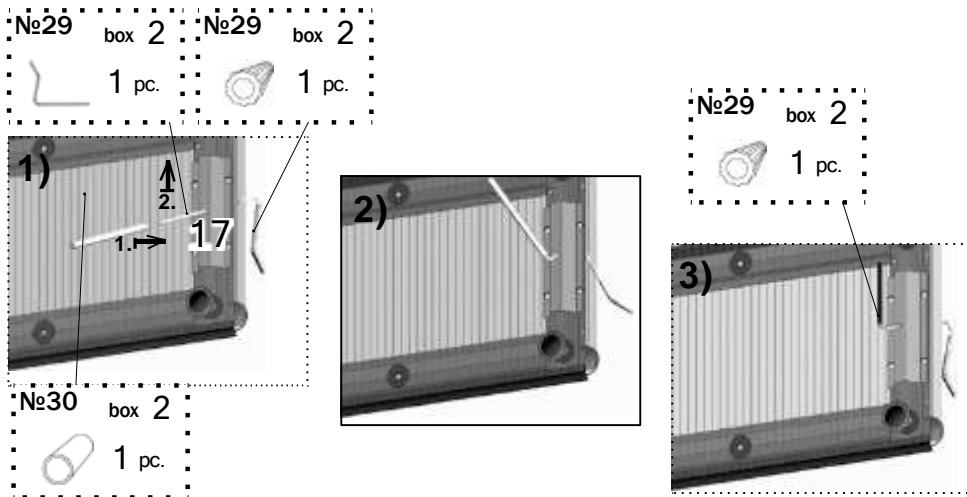


# 8

Insert wire rotator for door closing in free holes (against the stop) through elements 12 and 17 by straight end from inside. Use straight part of the tube running to bend rotator in the opposite direction. Set elastic header on the rotator. This construction allows to push the door in the closed position, being both outside and inside the greenhouse.



Rotator for locking the window is installing similarly

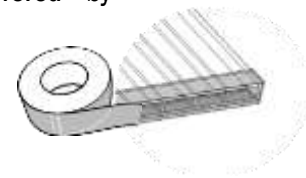


# 9.1

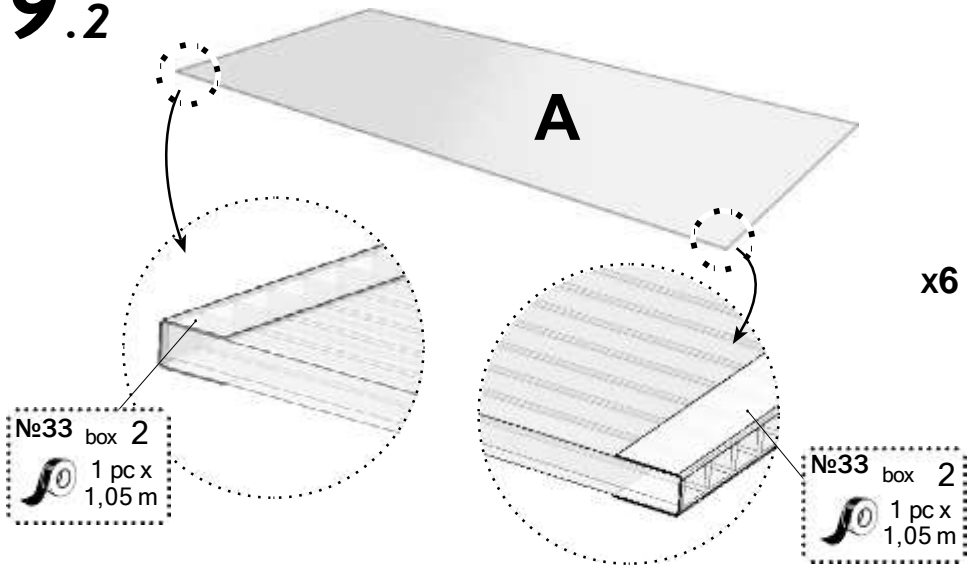
Cellular polycarbonate shall be installed strictly defined side out (towards the sun), which has a protective layer. The protective layer is usually at the side with the inscriptions on the transport film. The film on the other side of sheet is transparent. After marking the sheet, but prior to its cutting, make a mark on the protected side of the sheet for each piece: after removal of the transport film sheet sides are not visually different. The transport film is stripped from both sides immediately before fixing the cladding on the frame.



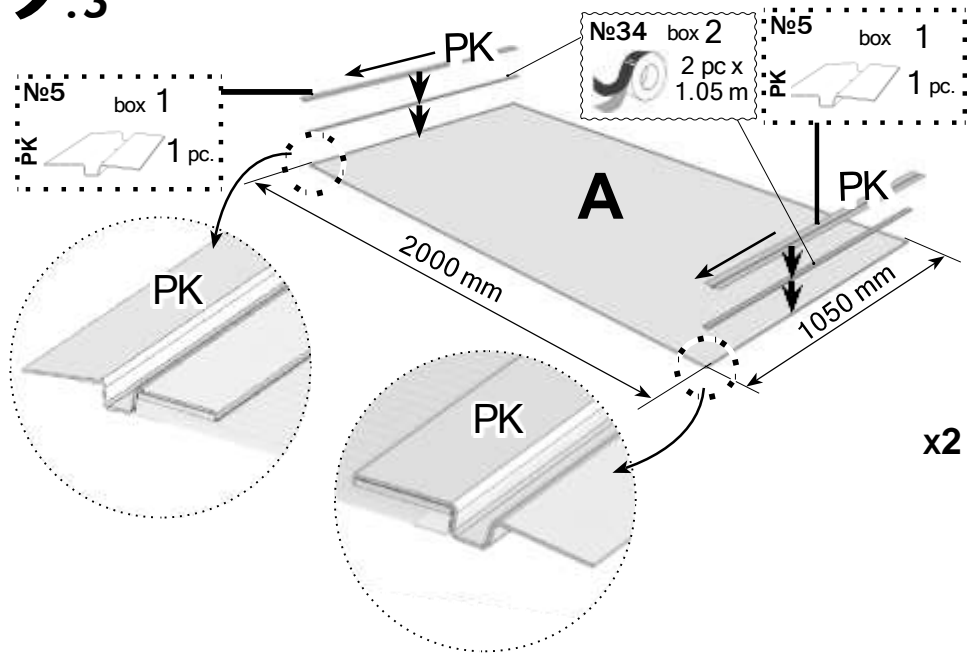
Sections of polycarbonate with open honeycombs should be covered by adhesive tape.



9.2



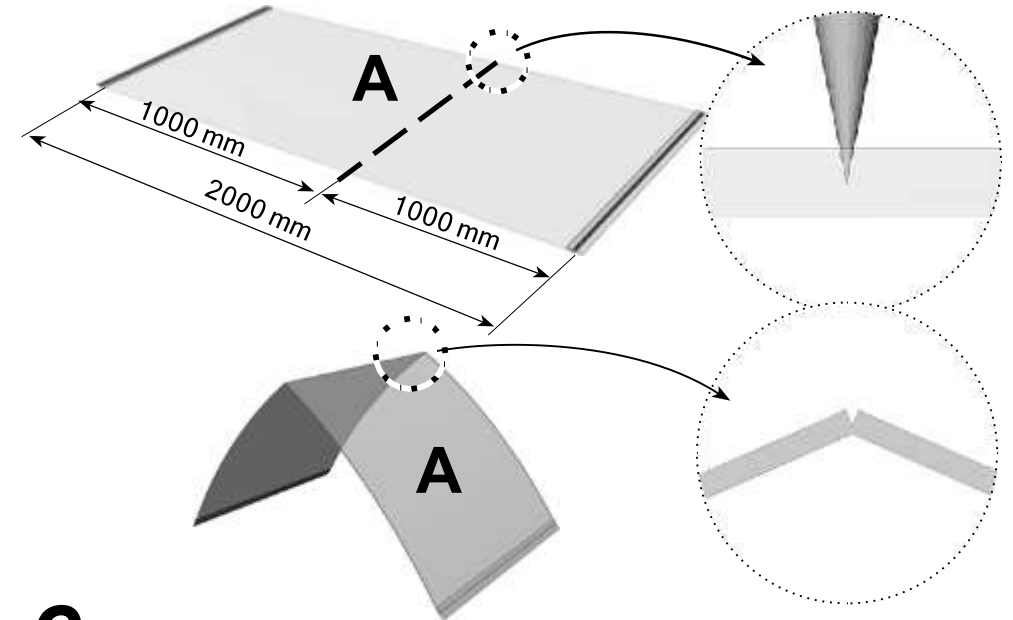
9.3



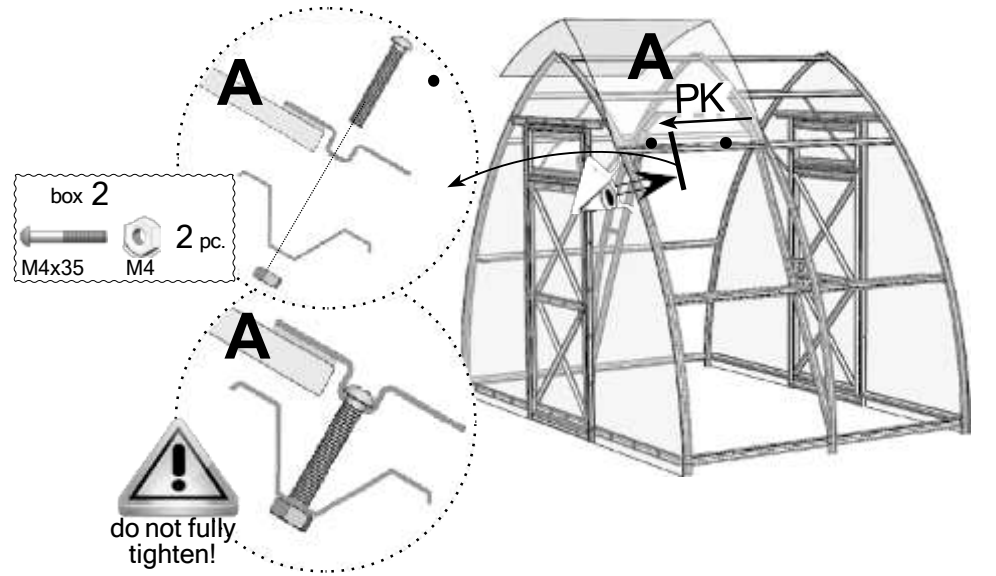
9.4



Before coating it is necessary to cut the outer surface of the upper polycarbonate sheet for bending on the ridge (middle of sheet)!

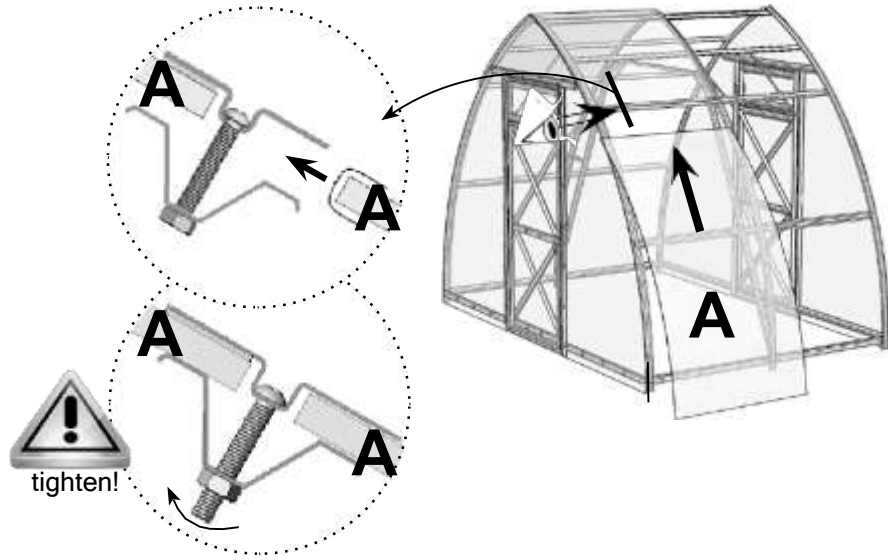


9.5

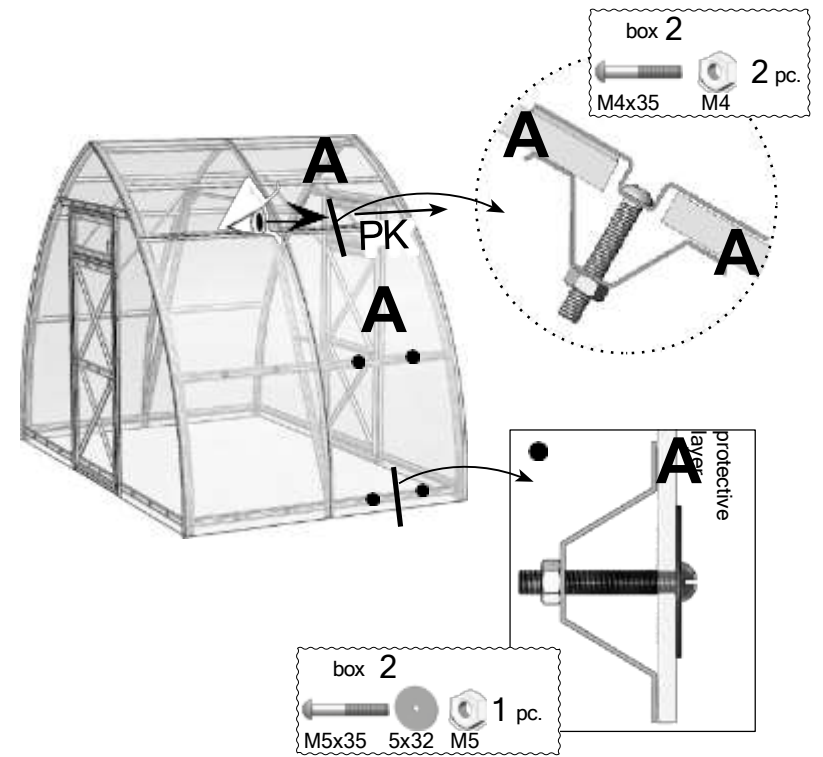




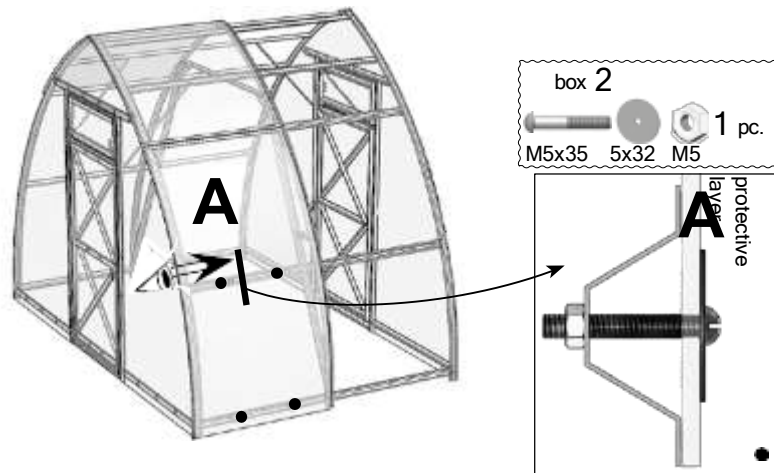
9.6



9.8



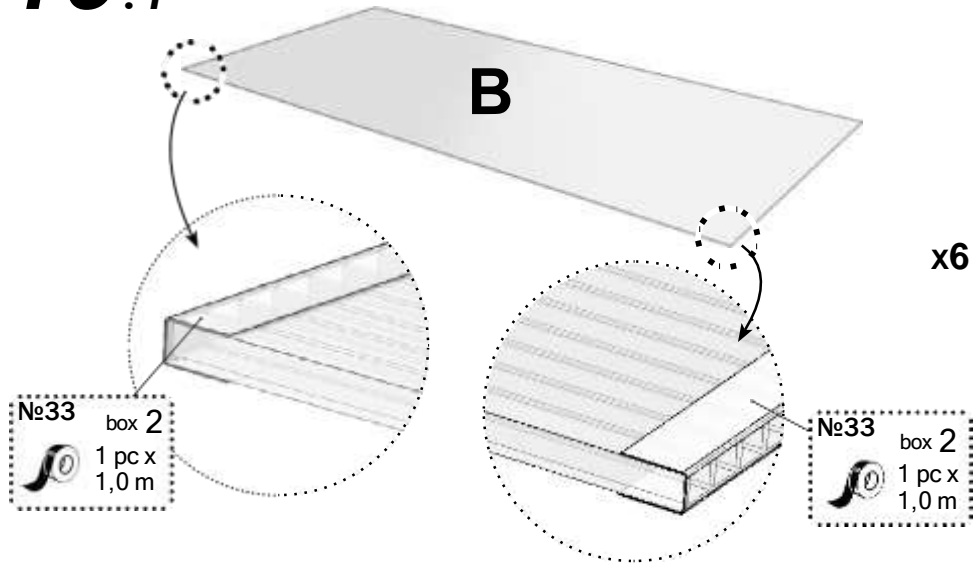
9.7



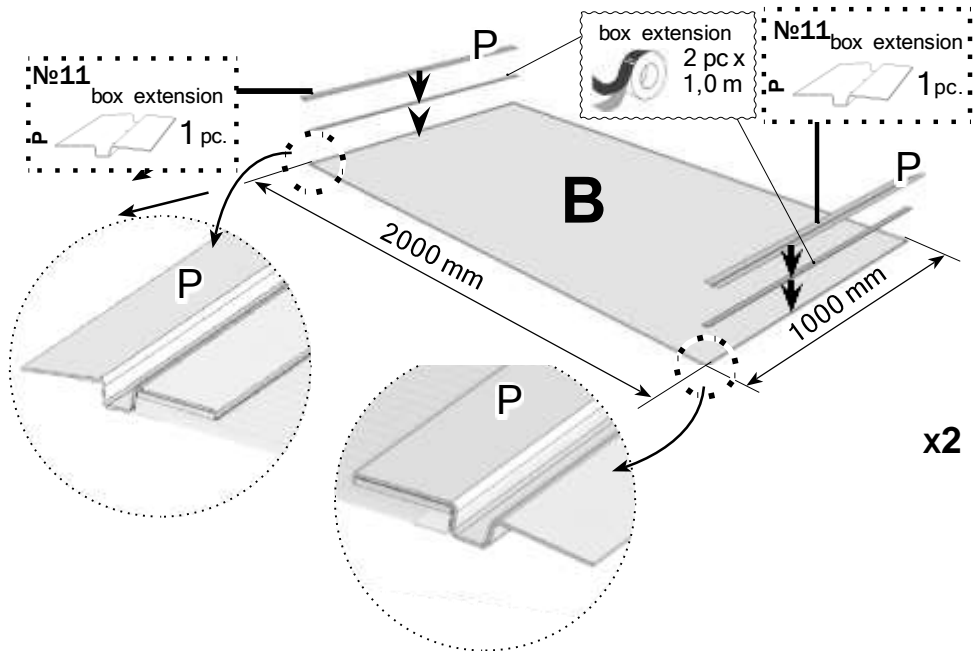
x2

# 10.1


## EXTENSION INSERT KIT

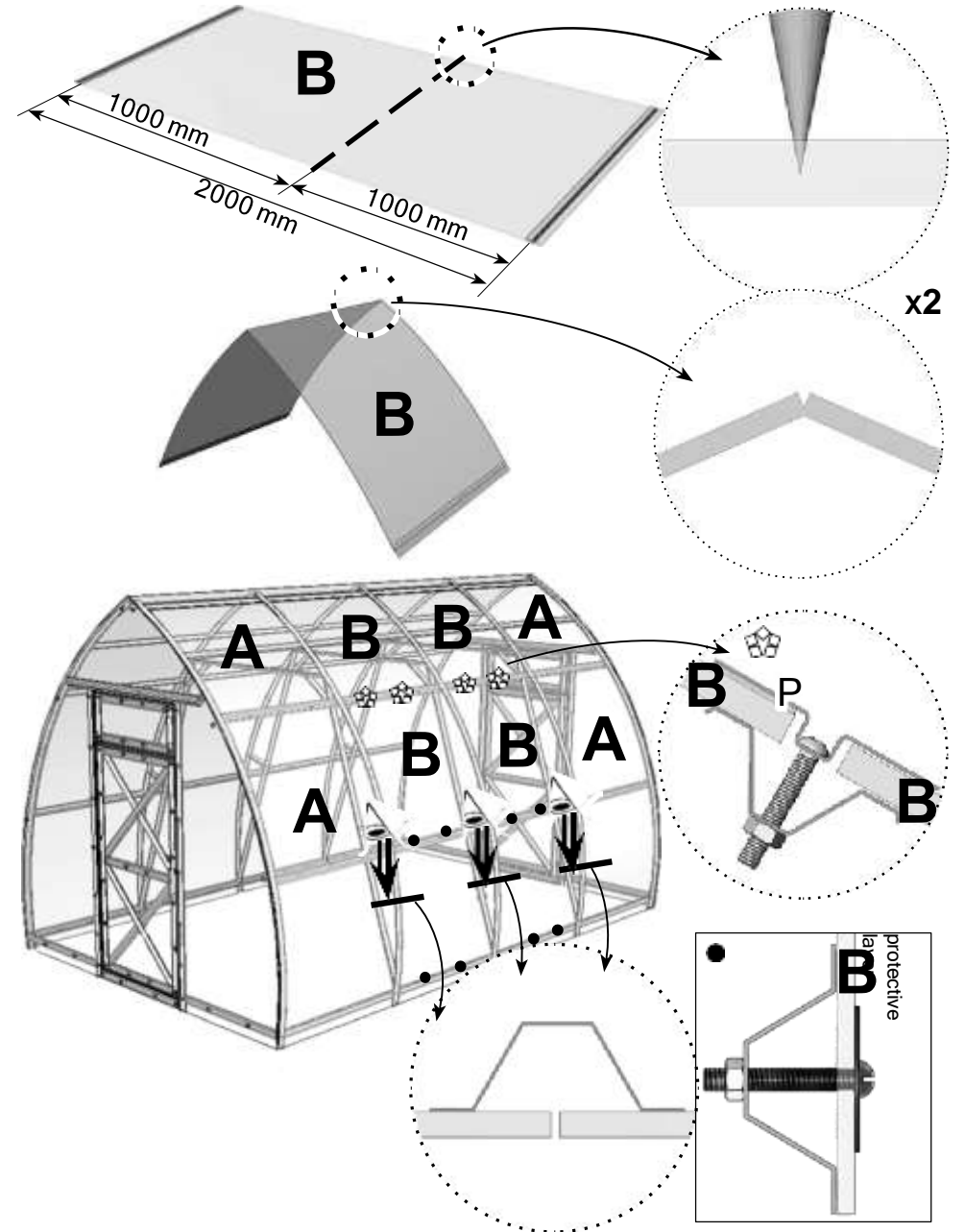


# 10.2



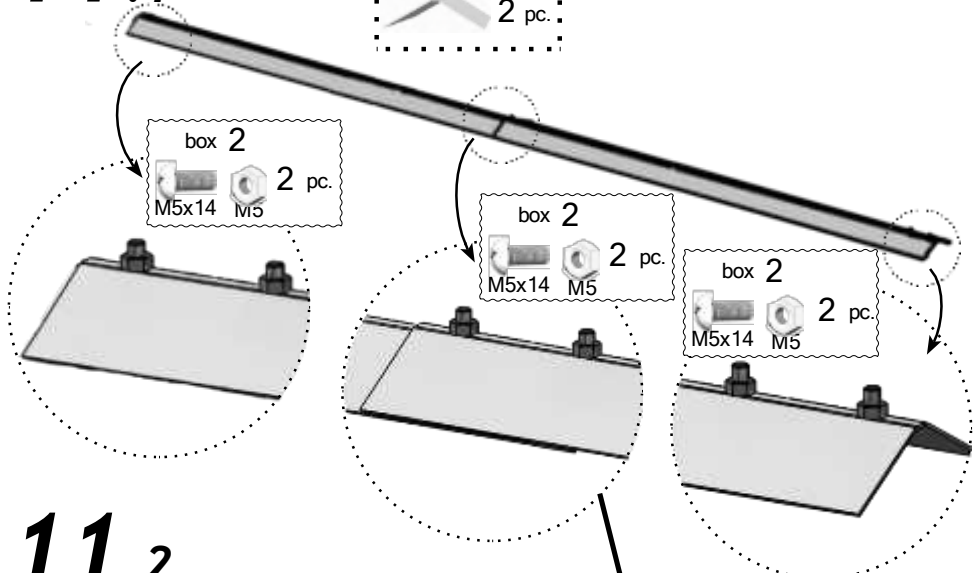
# 10.3

 Before coating it is necessary to cut the outer surface of the upper polycarbonate sheet for bending on the ridge (middle of sheet)!



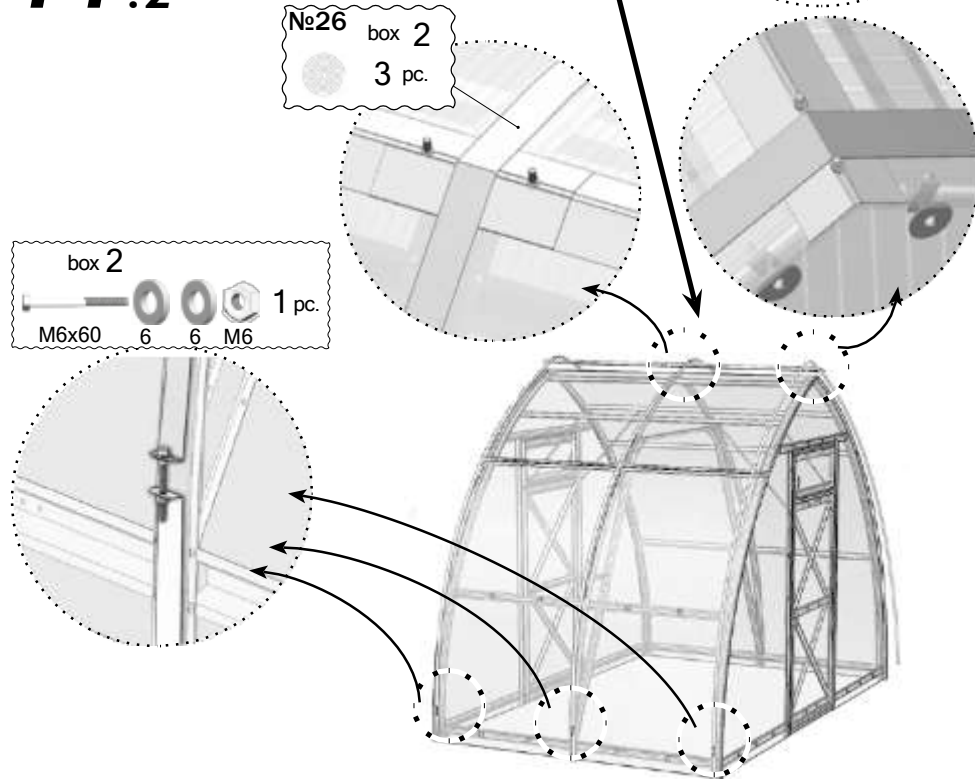
# 11.1

№19 box 2  
2 pc.



# 11.2

№26 box 2  
3 pc.





## Contact information

Austria



Belgium



Croatia



Denmark



Estonia



Finland



France



Germany



Ireland



Italy



Latvia



Lithuania



Nederland



Norway



Poland



Portugal



Spain



Sweden



Switzerland



UK

