

DANCOVER[®]

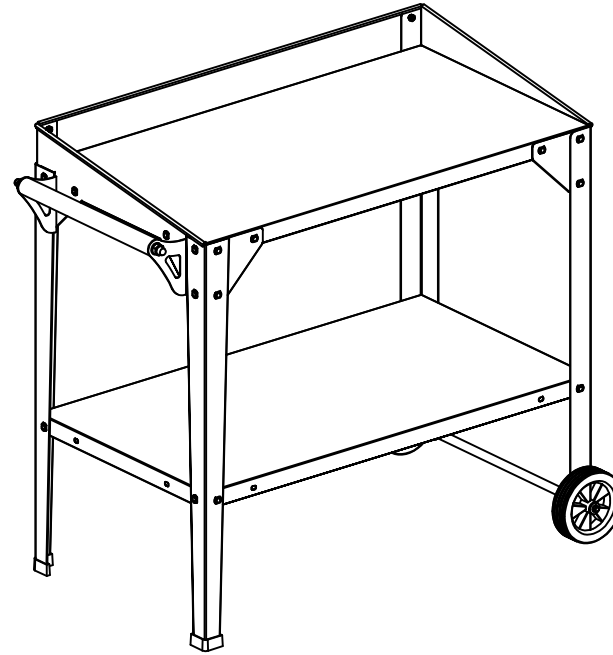
.com

Manual
for
Potting Bench Trolley
0,55x0,95x0,81m

Potting Bench Trolley

manual

size:95Lx55Wx81Hcm



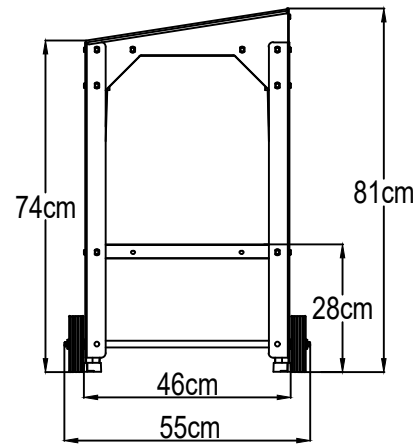
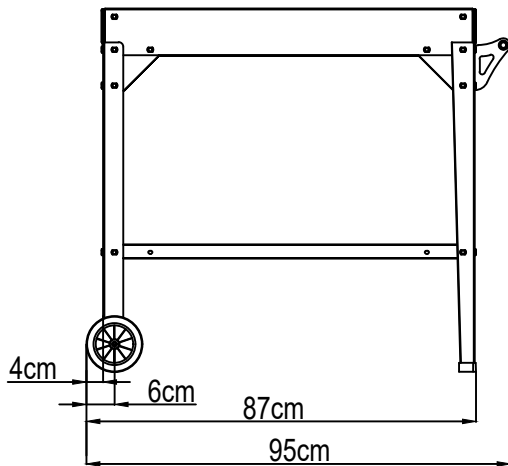
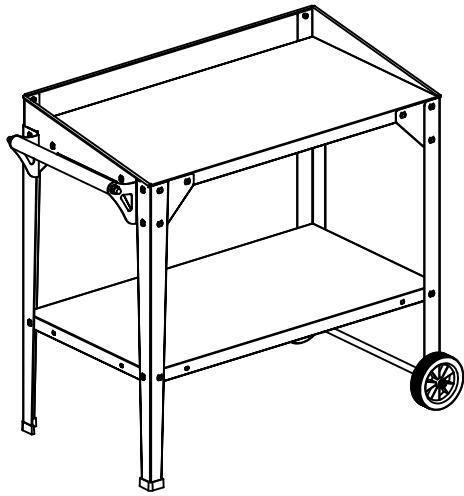
IMPORTANT

When you start to assemble this please ensure that you find all parts in the carton box in the correct type and quantity as mentioned in the list illustrated in every page accordingly. Please carry out the steps in the order set out in these instructions.

Do not fix all the screws until you complete all the steps.

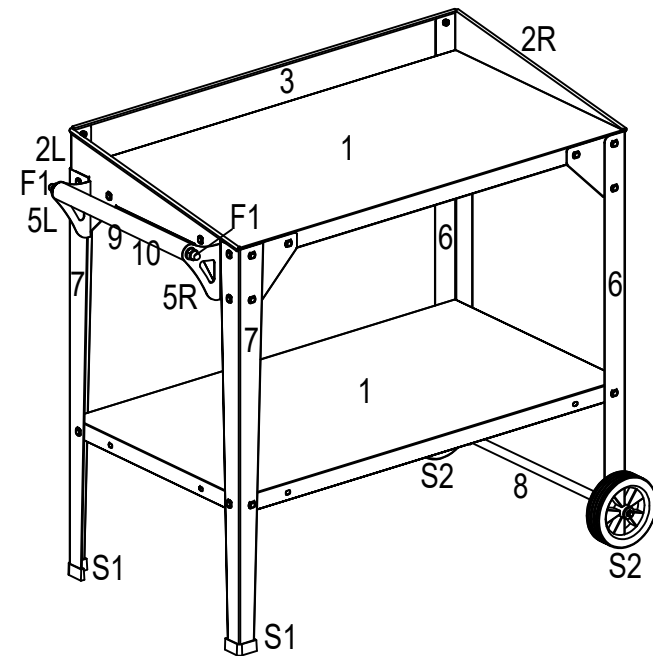
Keep these instructions in a safe place for future reference.

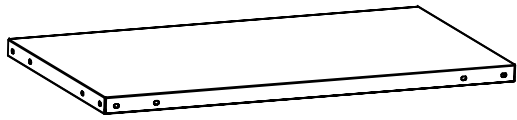
STYLE



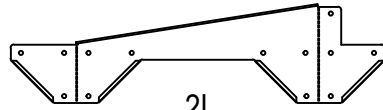
PARTS LIST

1	2		7	2	
2L	1		8	1	
2R	1		9	1	
3	1		10	1	
5L	1		S1	2	
5R	1		S2	2	
6	2		F0	6	
			F1	2	
			F2	2	
			F4	34	

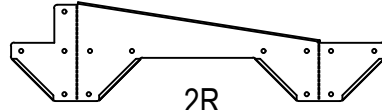




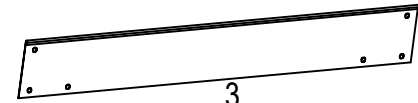
1 x1



2L



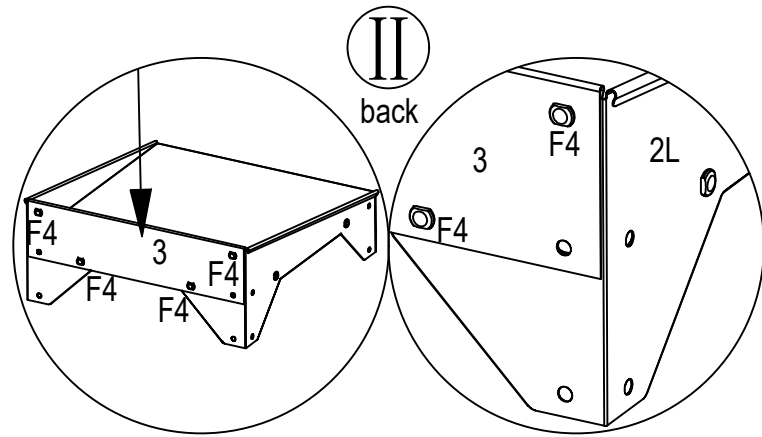
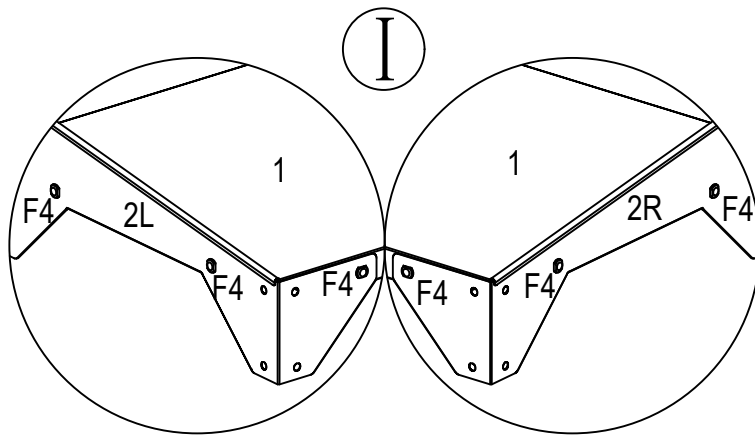
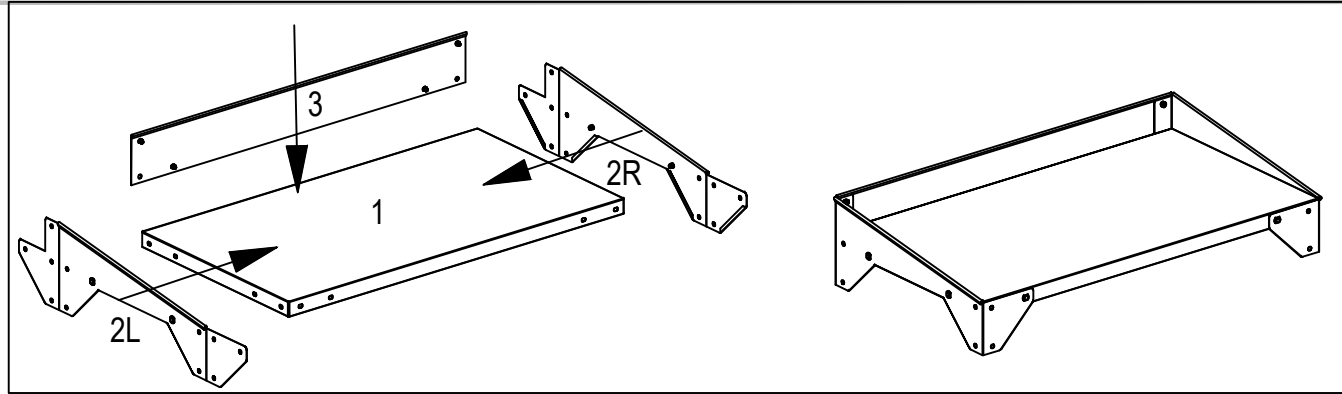
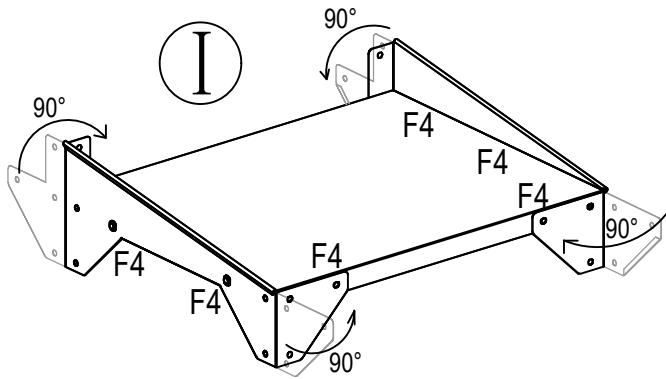
2R

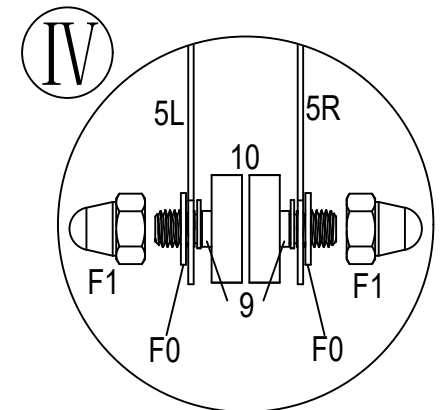
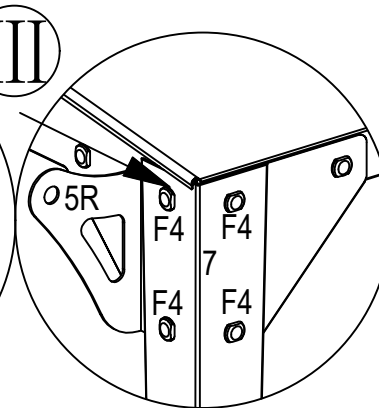
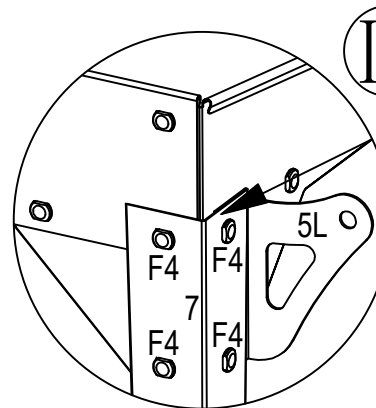
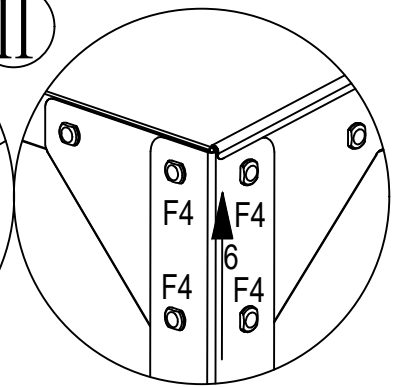
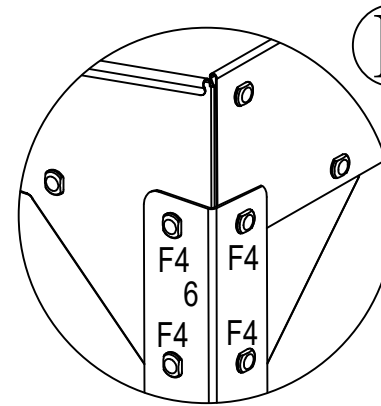
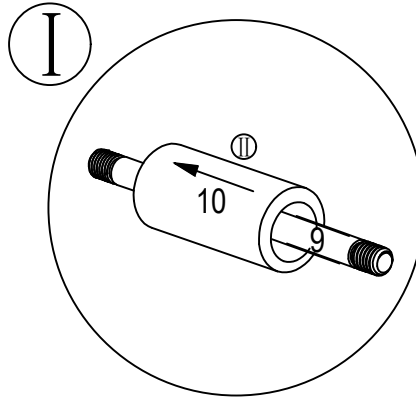
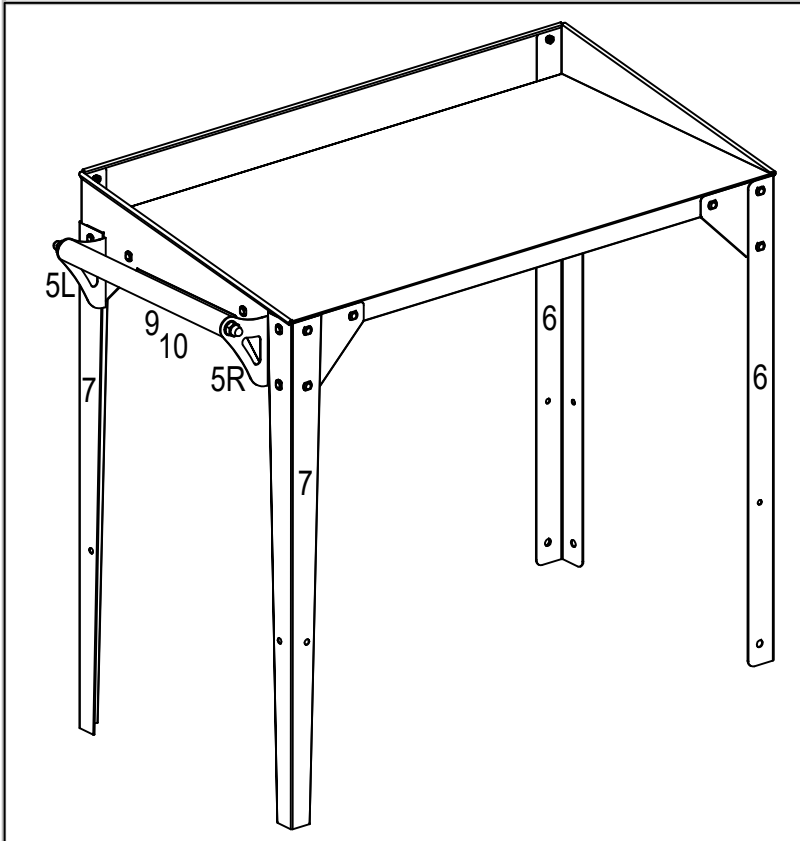
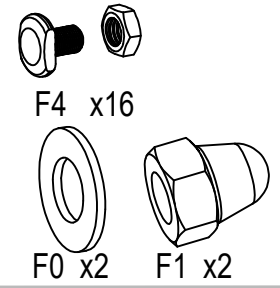
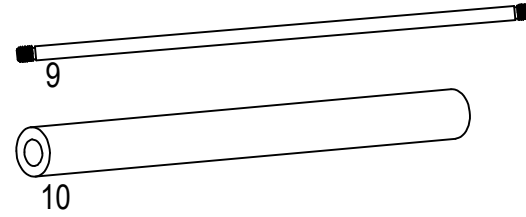
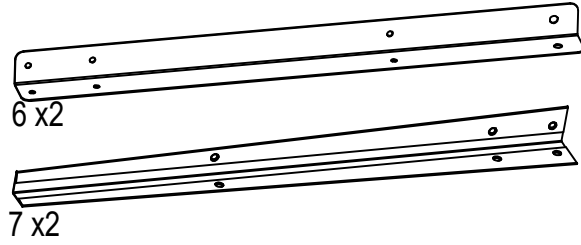
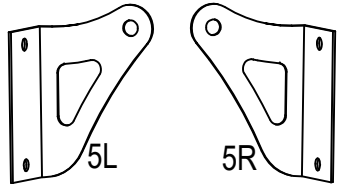


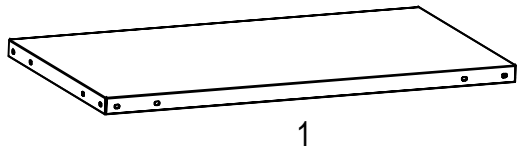
3



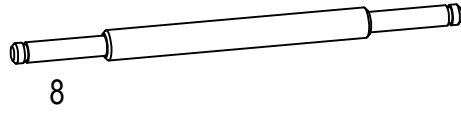
F4 x10







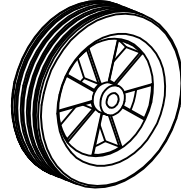
1



8



S1 x2



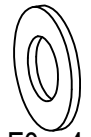
S2 x2



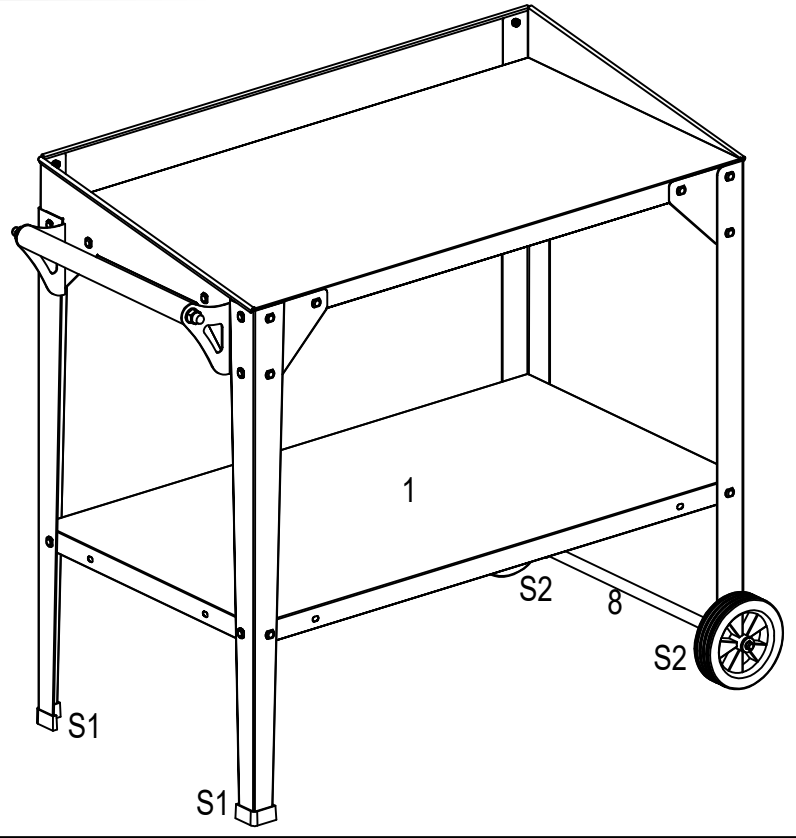
F4 x8



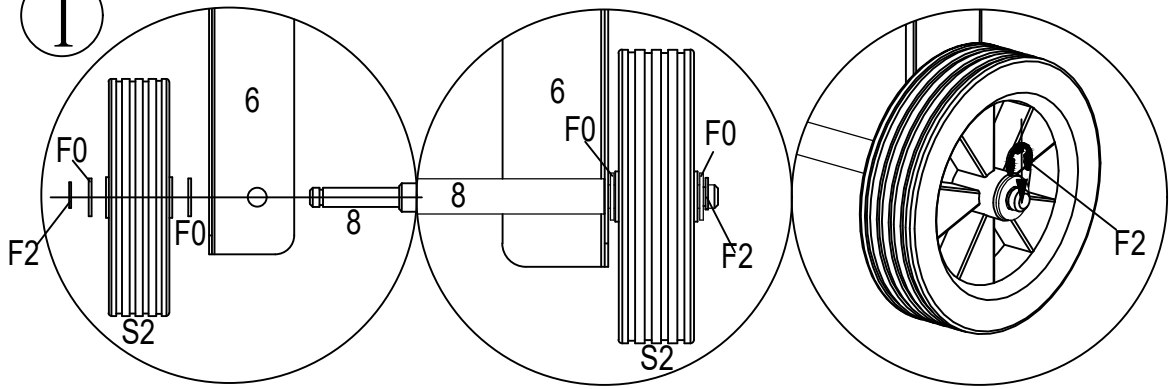
F2 x2



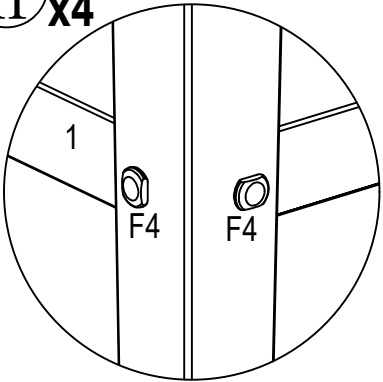
F0 x4



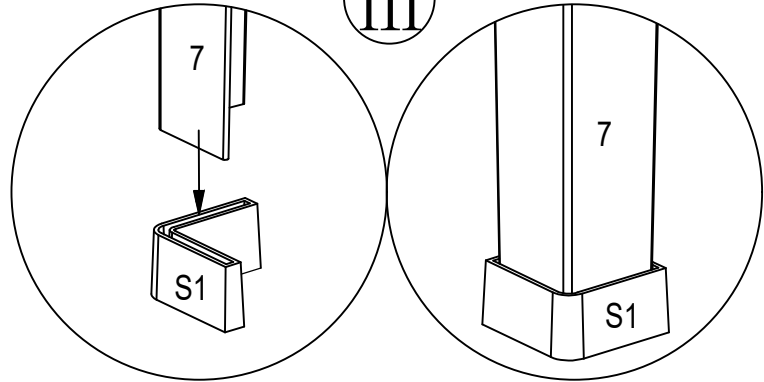
I



II x4



III



Contact information

Head office:

Dancover A/S
Lyngevej 16A, Nørre Herlev
3400 Hillerød
Denmark

For more information
please visit:

www.dancovershop.com

National contact

Denmark:

denmark@dancover.com

UK:

uk@dancover.com

Germany:

germany@dancover.com

France:

france@dancover.com

Sweden:

sverige@dancover.com

Finland:

suomi@dancover.com

Poland:

polska@dancover.com

Luxembourg:

luxembourg@dancover.com

Portugal:

portugal@dancover.com

Spain:

espana@dancover.com

Italy:

italia@dancover.com

Switzerland:

schweiz@dancover.com

Austria:

austria@dancover.com

Norway:

norge@dancover.com

Nederland:

nederland@dancover.com

Ireland:

ireland@dancover.com

Belgium:

belgique@dancover.com