

DANCOVER[®]

.com

Manual
for
Greenhouse
1,9x3,14x2,14m

DANCOVER[®]

.com

Safety Advice

Attention

In some countries or areas, you may have to obtain permission when setting up structures like greenhouses or similar buildings exceeding a certain size. It is your responsibility to comply with local rules and regulations and to ensure that the greenhouse is assembled correctly.

In case of bad weather conditions, it is your responsibility to ensure the greenhouse is safely secured and that the structure does not cause damage to others. Be sure to close doors and windows in the greenhouse, remove any loose objects in the garden, which may hit the greenhouse if the wind takes hold of it. Secure the garden trampoline and ask your neighbours to do the same. Please check the garden in general for loose or broken branches and other objects that may cause a danger in case of windy weather. Do not use open fire, welding equipment or other sources of ignition, inside or close to the greenhouse.

When you buy a greenhouse and set it up in your garden, we recommend that you check whether your home insurance covers the structure. At the same time, you are not supposed to be inside the greenhouse during extreme weather conditions.

This structure has not been tested for specific snow and wind loads! Make sure you follow our general safety advice and in the event of snow, always remove excessive amounts of snow from the greenhouse to prevent too much snow on the roof of the greenhouse. Heavy snow may cause the roof or entire structure to collapse.

Note: Dancover warranty applies only to the normal use of the greenhouse, normal wear and tear excepted, in accordance with written use instructions or manual. The warranty does not apply to damage caused by accident, abuse, misuse or modification of the greenhouse.

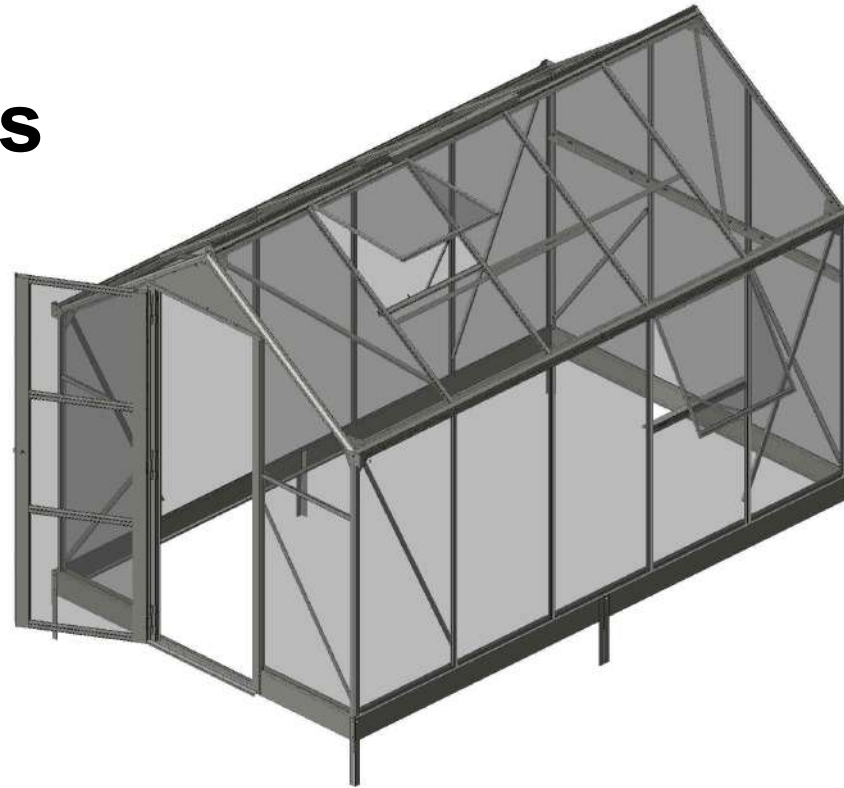
Warranty Information

Please visit dancovershop.com for information on warranty.

Please always check our website for the latest safety advice and manual.

Greenhouse Assembly Instructions

size: 314Lx190Wx214Hcm 6m²



12/08/2019

IMPORTANT

You must read these instructions carefully before you start to assemble this greenhouse. Please ensure that you find all parts in the carton box in the correct type and quantity as mentioned in the list illustrated in every page accordingly.

Please carry out the steps in the order set out in these instructions.

Do not tighten the steps in the greenhouse until completing on the assembly of the polycarbonate panels. Keep these instructions in a safe place for future reference.

SAFETY ADVICE

We strongly recommend the use of work gloves during assembly.
Do not attempt to assemble the greenhouse in windy or wet conditions,
Do not touch overhead power cables with the aluminum profiles.
Always wear shoes and safety goggles when working with extruded aluminum.
Dispose of all plastic bags safely-keep them out of reach of small children.
The greenhouse must be positioned and fixed on a flat level surface.
Do not lean against or push the greenhouse during construction.
Keep children away from the assemble area.
Do not position your greenhouse in an area exposed to excessive wind.
Do not attempt to assemble this greenhouse if you are tired ,have taken drugs or alcohol
or if you are prone to dizzy spells.
If using a step ladder or power tools ensure that you follow the manufactures safety advice.
Hot items such as recently used grills, blowtorches etc.must not be stores in the greenhouse.
Ensure there are no hidden pipes or cables in the ground before inserting the pegs.

GENERAL ADVICE

This is a multi-part assembly, Allow at least 200-300 minutes for assembly.
Selecting a site-choose a sunny level position away from overhanging trees.
If you are fixing your greenhouse directly to a solid concrete foundation use the pre drilled
holes in the metal base supplied.
The component parts should be checked and laid out close at hand.
Keep all small parts(screws etc)in a bowl so they do not get lost.
Note that the door is hinged on the right hand side and therefore opens tothe right.
Keep roof clear of snow and leaves.

CARE & MAINTENANCE

When your greenhouse needs cleaning, use a mild detergent solution and risen with cols
clean water.
Do NOT use acetone, abrasive cleaners or other special detergents to clean the clear panels.

TOOLS & EQUIPMENT REQUIRED

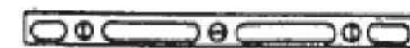
Protective Equipment:

- 1.Helmet
- 2.Glove
- 3.Long Sleeve Cotton Overalls
- 4.Emergency Medicine Cabinet
- 5.Eye Shield



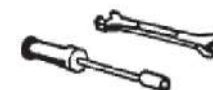
Measure (metric):

- 1.The Tape (5 m)
- 2.Angle Square
- 3.Level Meter



Installation Tool:

1. Triangle Stairs≈1.5m Height x2
2. Spanner 10mm (Ratchet Wrench is better)
3. Electric screwdriver+10mm hex bolt sleeve(suggest)
4. Wooden Mallet
5. Marking Pen
6. Silicon
7. Knife
8. Phillips screwdriver
- 9.WD-40



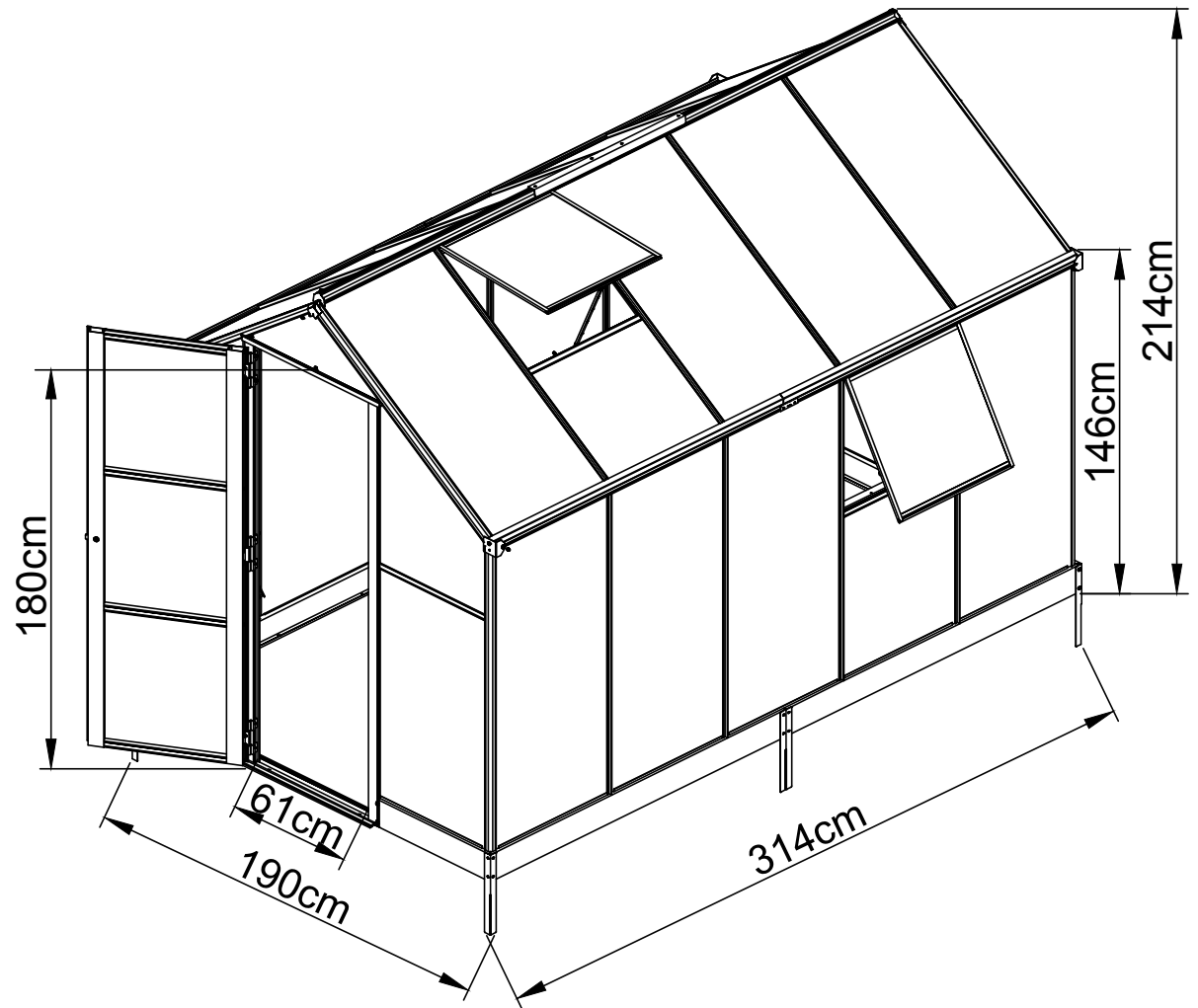
PRODUCT SIZE

Firstly, make sure a good installation location.

Find a flat ground which is 2 times bigger than the Green house before installation.

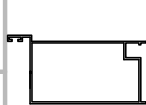


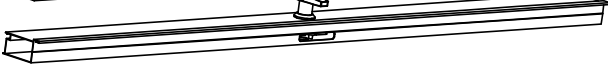
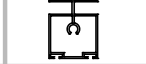

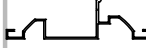

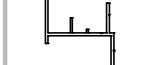

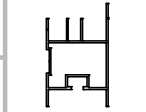

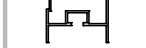

OTHER CAUTIONS


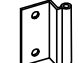










1. 2-3 people required, one is for measuring & taking marks to ensure the installation dimension ,the second person is responsible for the installation and the last one do as assistant and assure the safety.
2. High-power electric tools are required, ensure the normal work of them and highly pay attention to electric safety.
3. Be careful when using the kind of blunt tools, like hammer.
4. Wearing long sleeve cotton overalls,gloves and helmet during installation and wear safety glasses when using power tools.
- 5.No up watching when working height, or the drop screws may hurt your eyes and suffocation causing accidentally when fall into your mouth.
6. No climbing, No standing on the tent to avoid falling down.
7. If injuries immediately, using the first-aid kit to stop bleeding,bind up, In case of emergency, taken immediately to a nearby medical institutions.



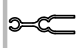












PARTS LIST(2-1)

DOOR

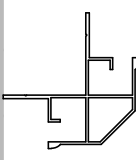





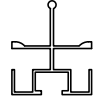

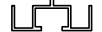











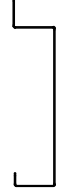





NO.	Qty.		
CD01	1		1784mm 
CD03	1		
CD02	4		482mm 
CD07	1		679mm 
CD09	1		728mm 
CD08	1		1812mm 
CD10	1		1812mm 

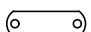
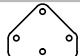







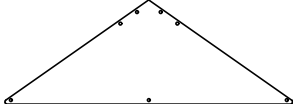

NO.	Qty.			NO.	Qty.		
5	3			F1	8		M5x120
6	6			L5	3		
L3	1			F5	22		T5x15
L2	1			F05	12		M5x1

WINDOW

NO.	Qty.			NO.	Qty.		
CW1	2			S9	2		
CW2	2			F2	8		T5x12
BW3	4			F8	10		M4x10
W4	2			F9	2		M4x20
S8	2						

Front wall and back wall

NO.	Qty.		
CA01	2		1122mm 
CA03	2		1122mm 
CA02	4		1310mm 
CA05	1		1748mm 
CA07	1		1748mm 
CA08	2		556mm 
CA09	3		588mm 
CA11	4		1006mm 
CA15	2		539mm 
CA18	3		573mm 
CB1	1		1218mm 
CB2	1		1897mm 
CC2	1		1837mm 

NO.	Qty.			NO.	Qty.		
C2	2			C1	12		
C5	4			C8	2		
C6	1			F4	67		M6x10
C7	4			F4-2	4		M6
C9	1			F06	n		M6x1

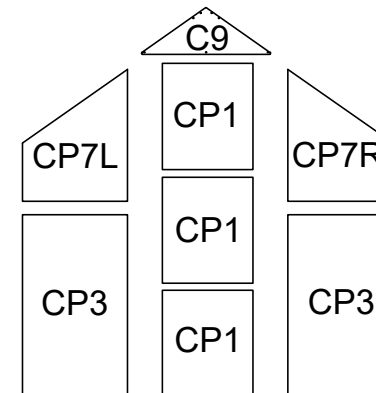
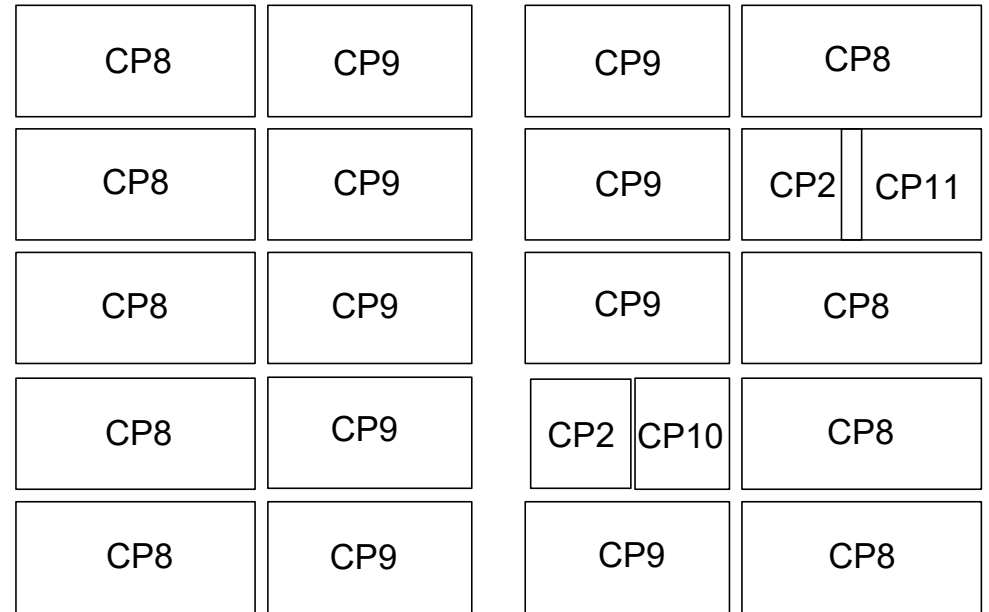
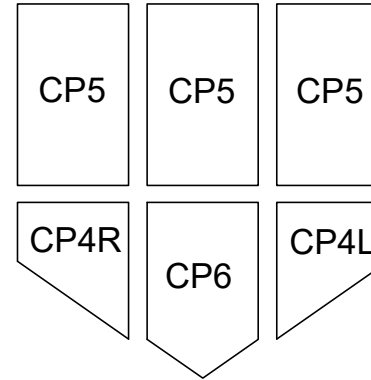
PARTS LIST(2-2)

Left and right walls and top

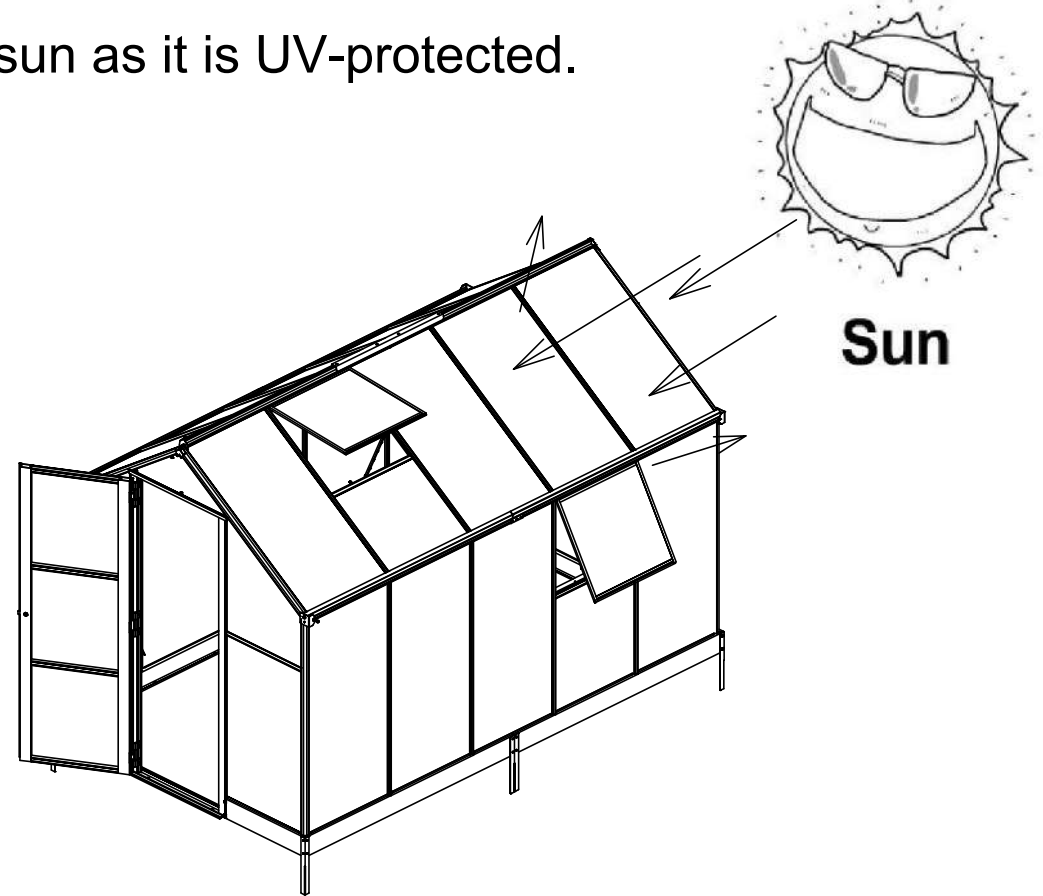
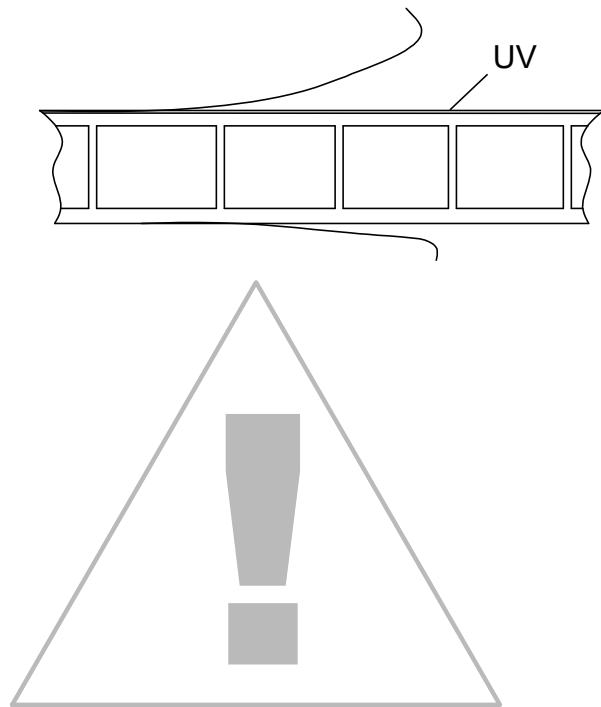
NO.	Qty.	
19	8	1310mm
C20	8	1102mm
CA09	2	588mm
CW5	1	588mm
C10	4	1300mm
C12	4	1100mm
C24	4	1250mm
CA18	10	573mm
C31E	4	1536mm
C32E	4	1554mm
C38E	2	1525mm
C22EL	2	1564mm
C22ER	2	

NO.	Qty.		NO.	Qty.	
C9C	2	GS	4		
C10C	1	F3	6	M5x20	
C11	2	F4	165	M6x10	
3	8	F06	n	M6x1	
CC3	2				

Polycarbonate board



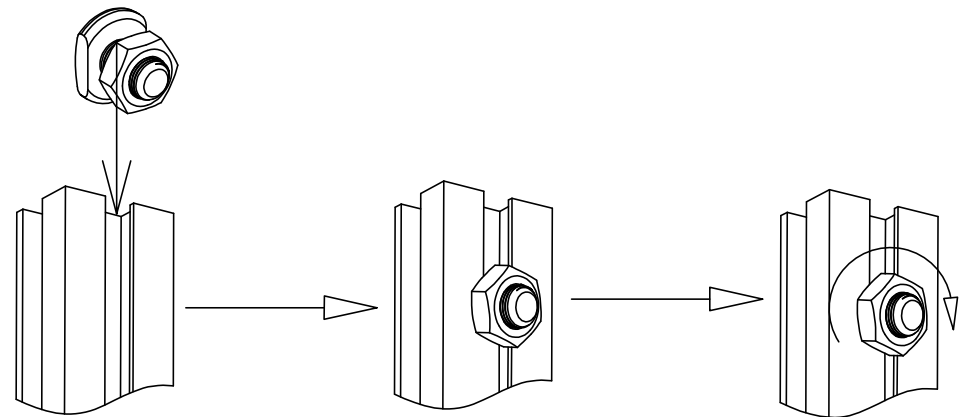
Towards the white film side to the sun as it is UV-protected.



Screw installation

Place the screw into the groove, turn clockwise until it stops turning. Adjust the screw by hand and twist so threads fix it in place.

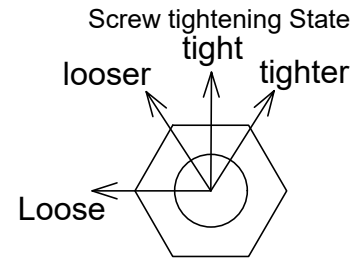
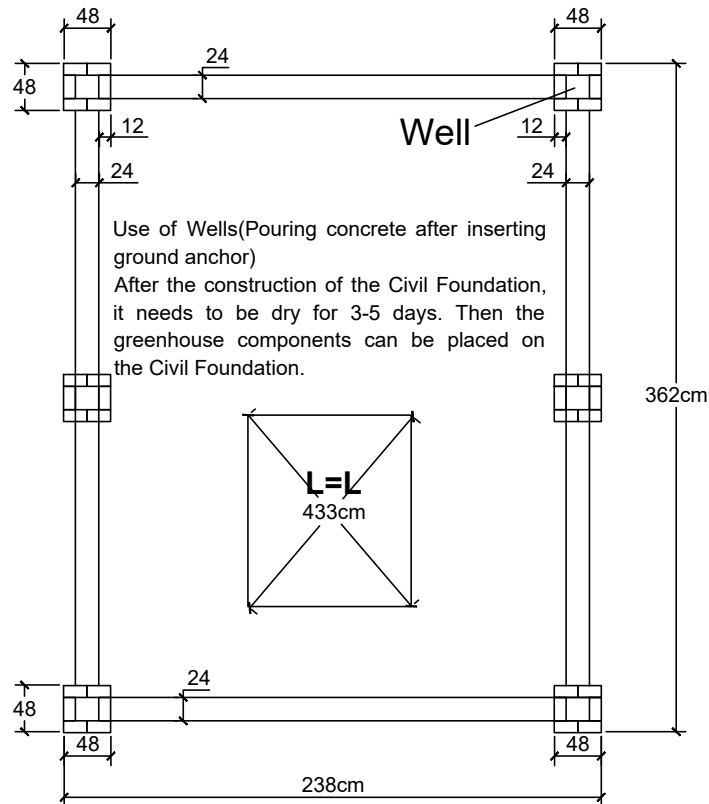
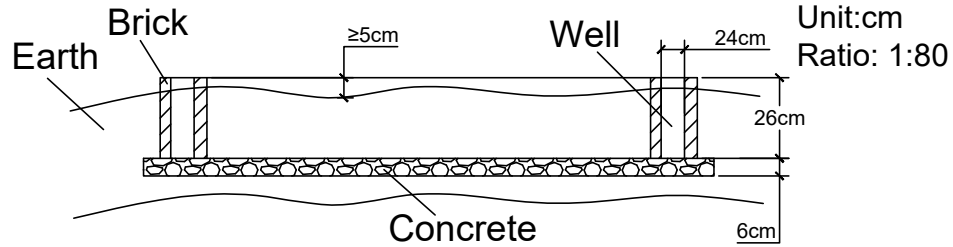
Place other parts on screw and assemble nut .



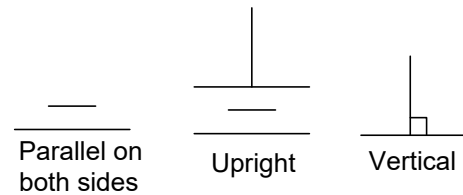
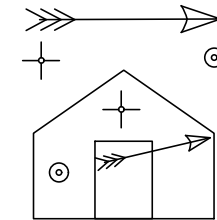
Installation instructions and illustrations

1. Make sure the ground is flat and firm before installing, avoid the ground subsidence and cause the greenhouse to tilt.
2. If you need to permanently install without moving, please use solid bricks and concrete to make the building foundation, make the house stronger.
3. Additional ground anchors or expansion screws required for different floors are required to be purchased by the user, and this product is not provided.

1. Before installation, you need to know the meaning of the following symbols.
2. Follow the pattern to install faster and less effort.



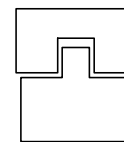
Installation process Perspective



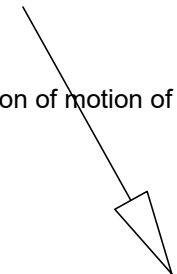
Silicon



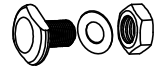
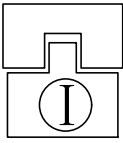
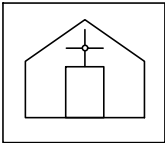
Components, preloaded



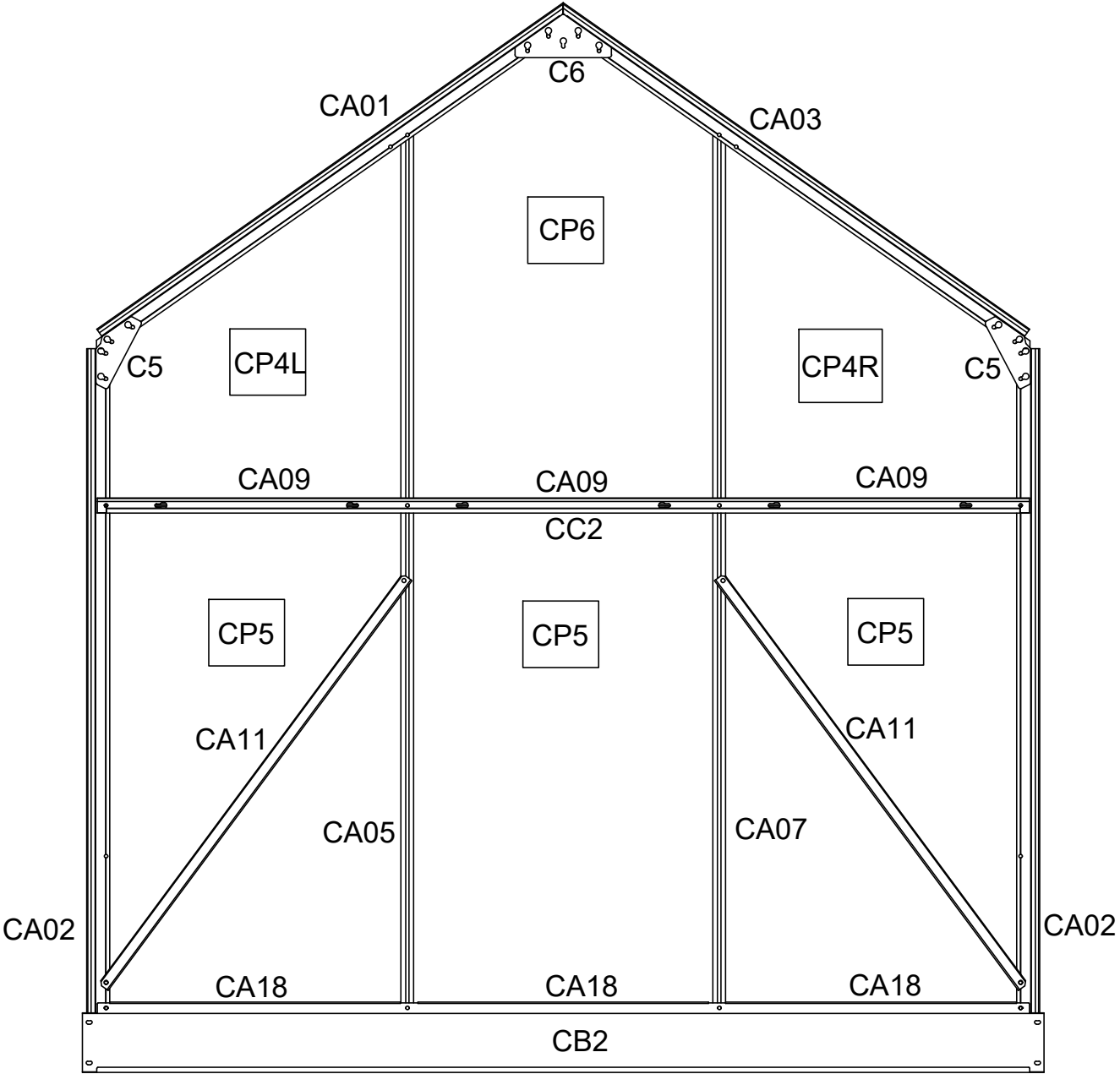
Direction of motion of force

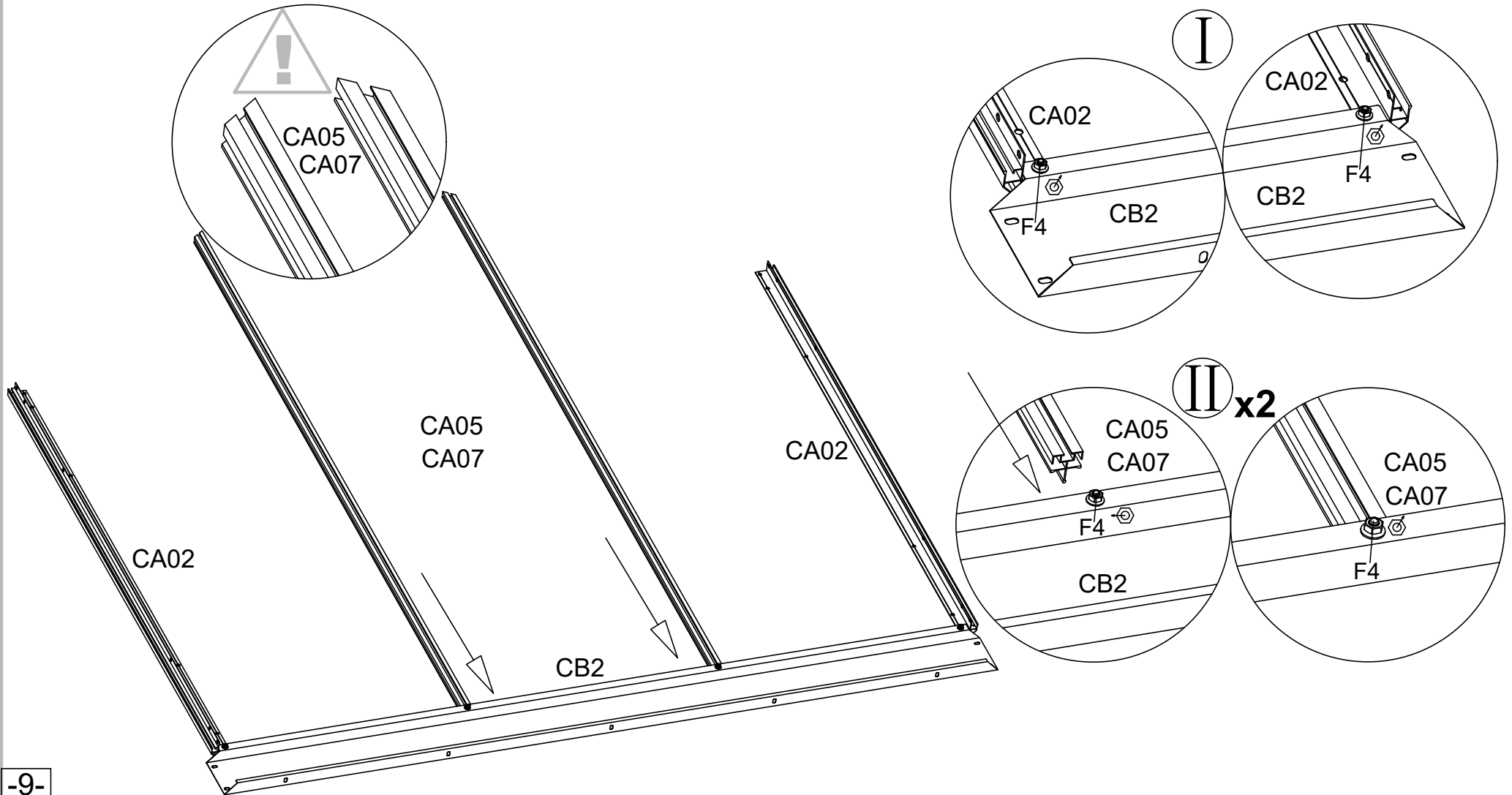
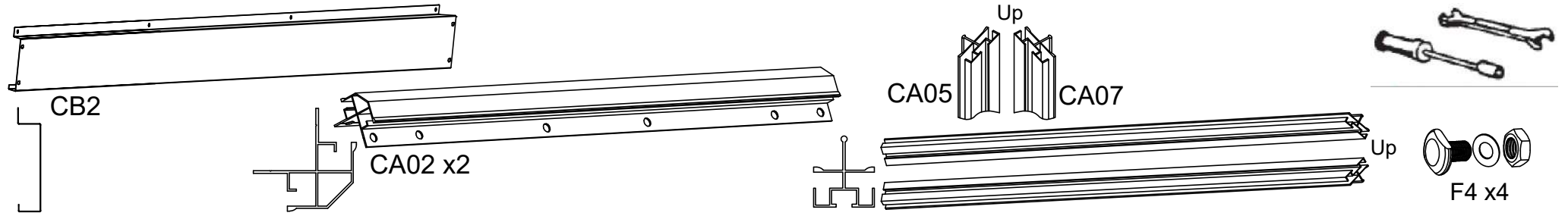


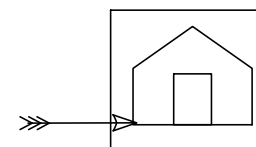
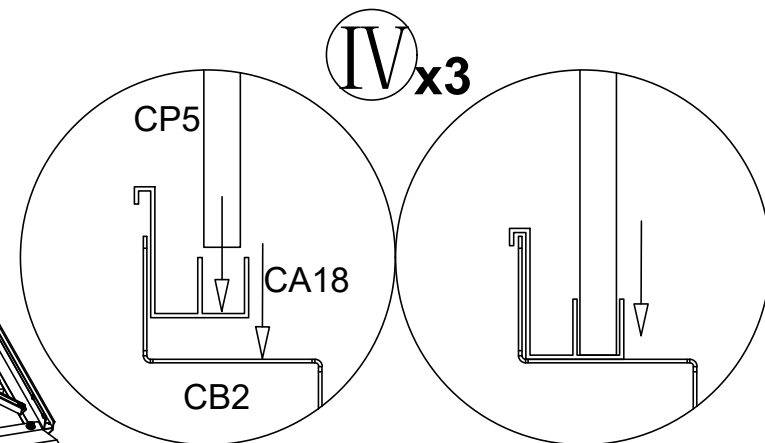
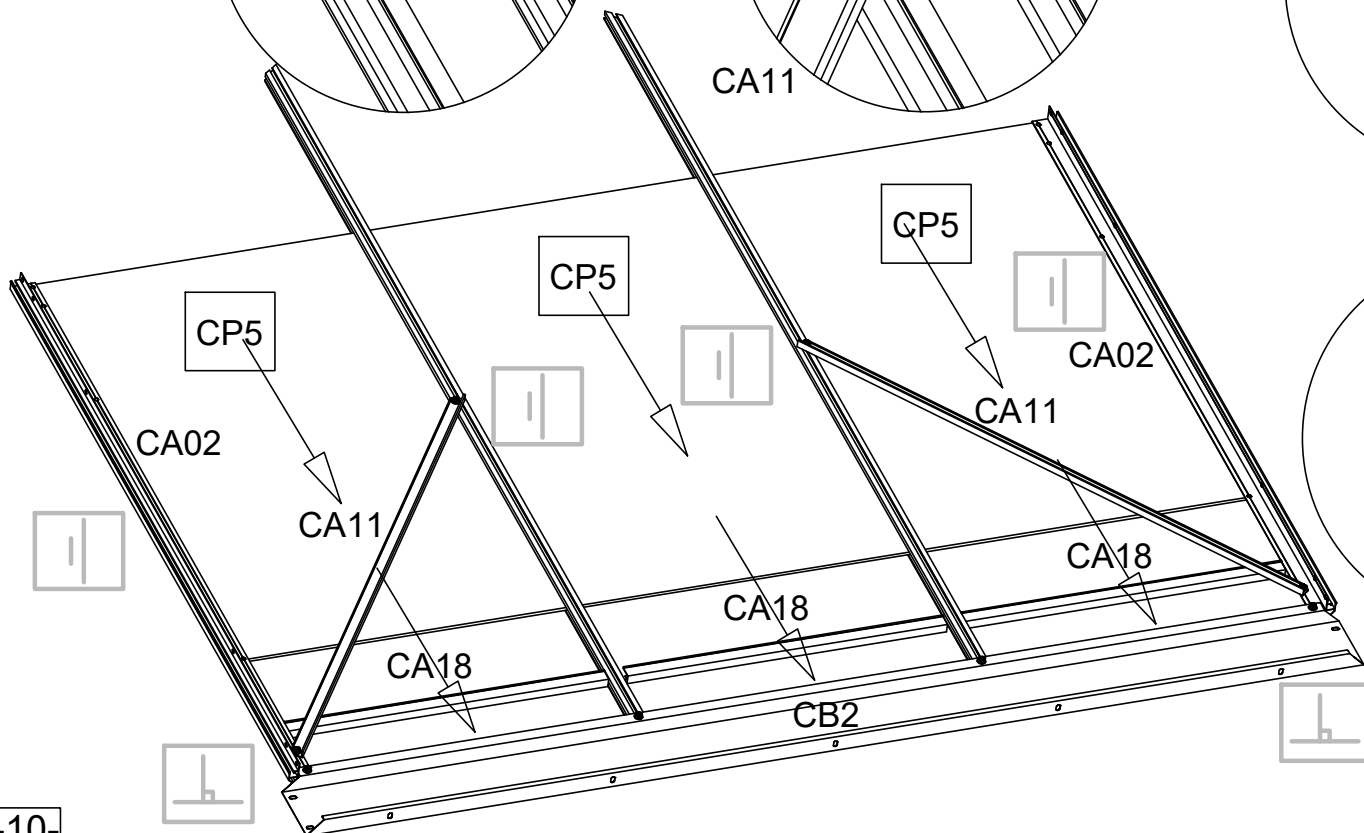
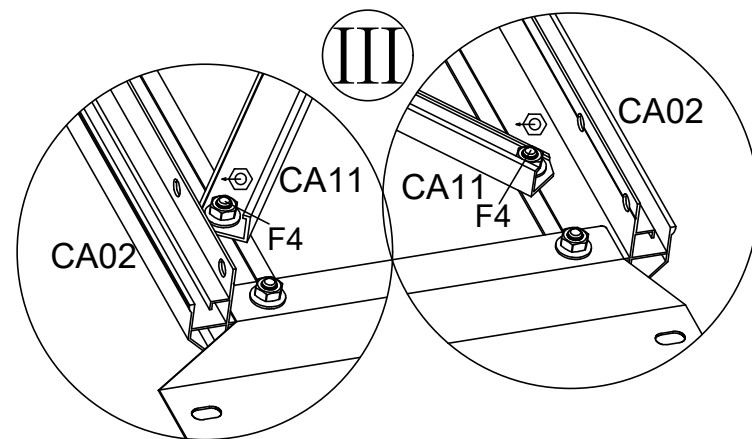
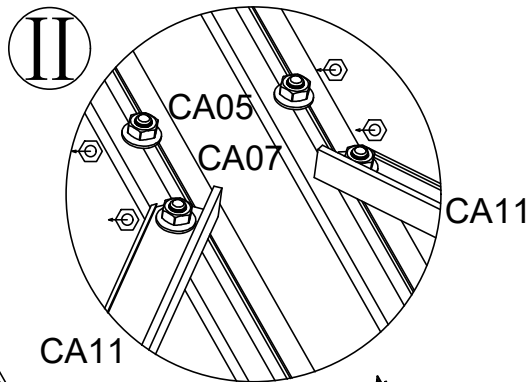
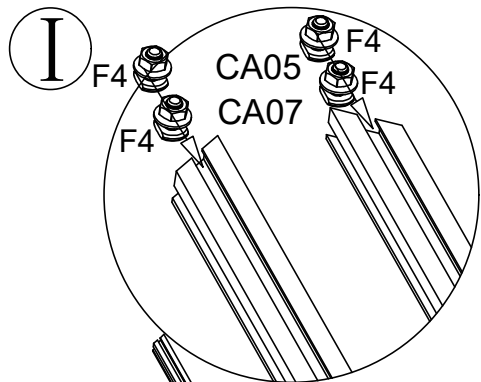
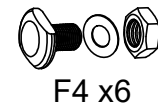
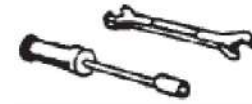
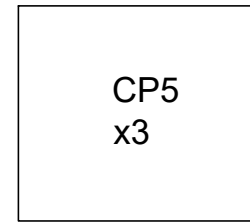
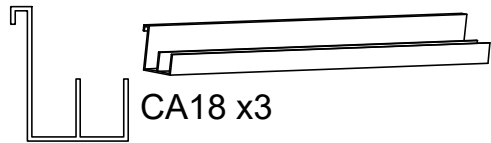
Back wall

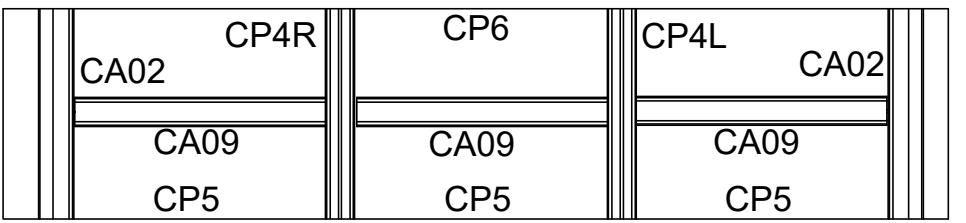
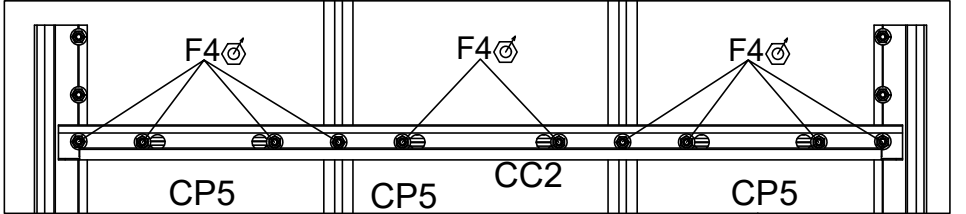
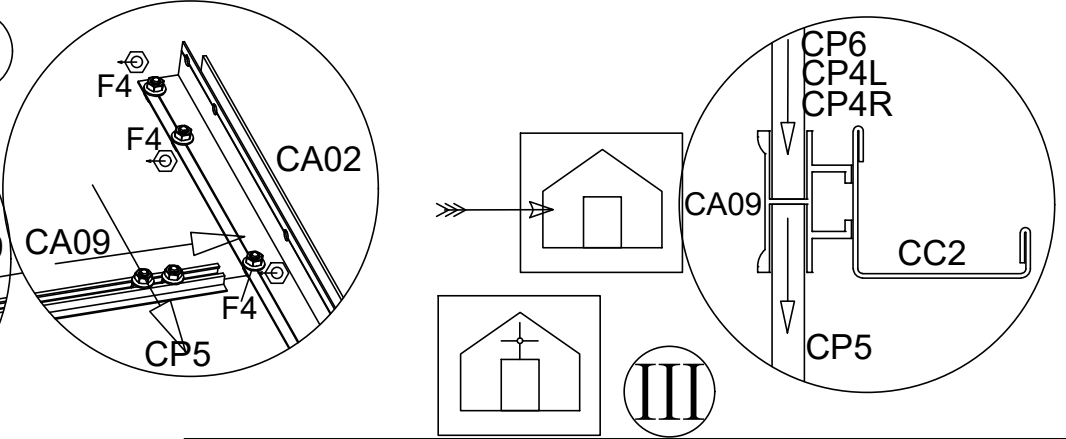
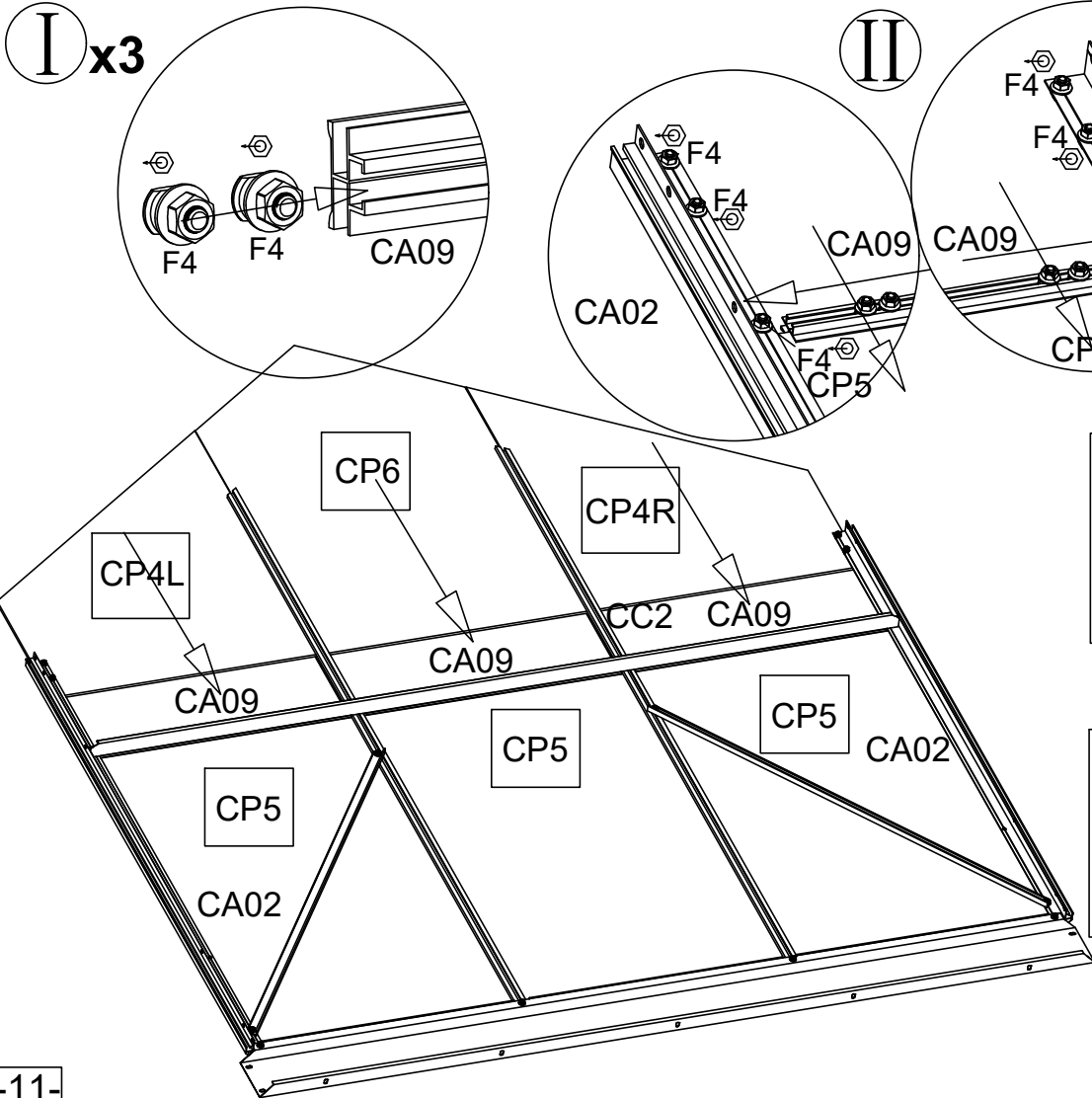
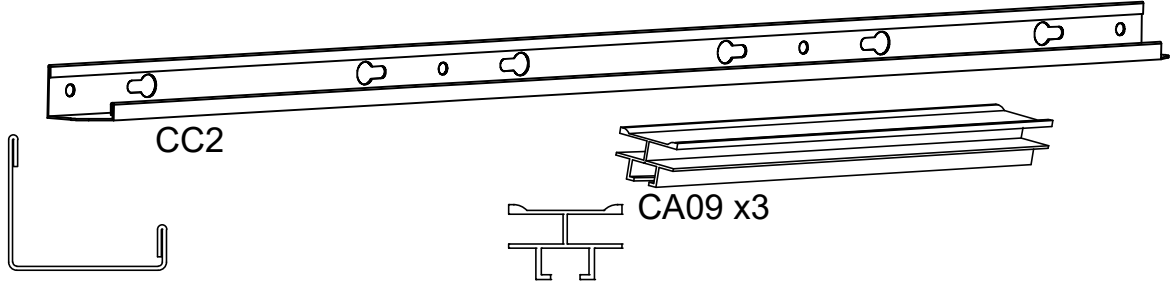


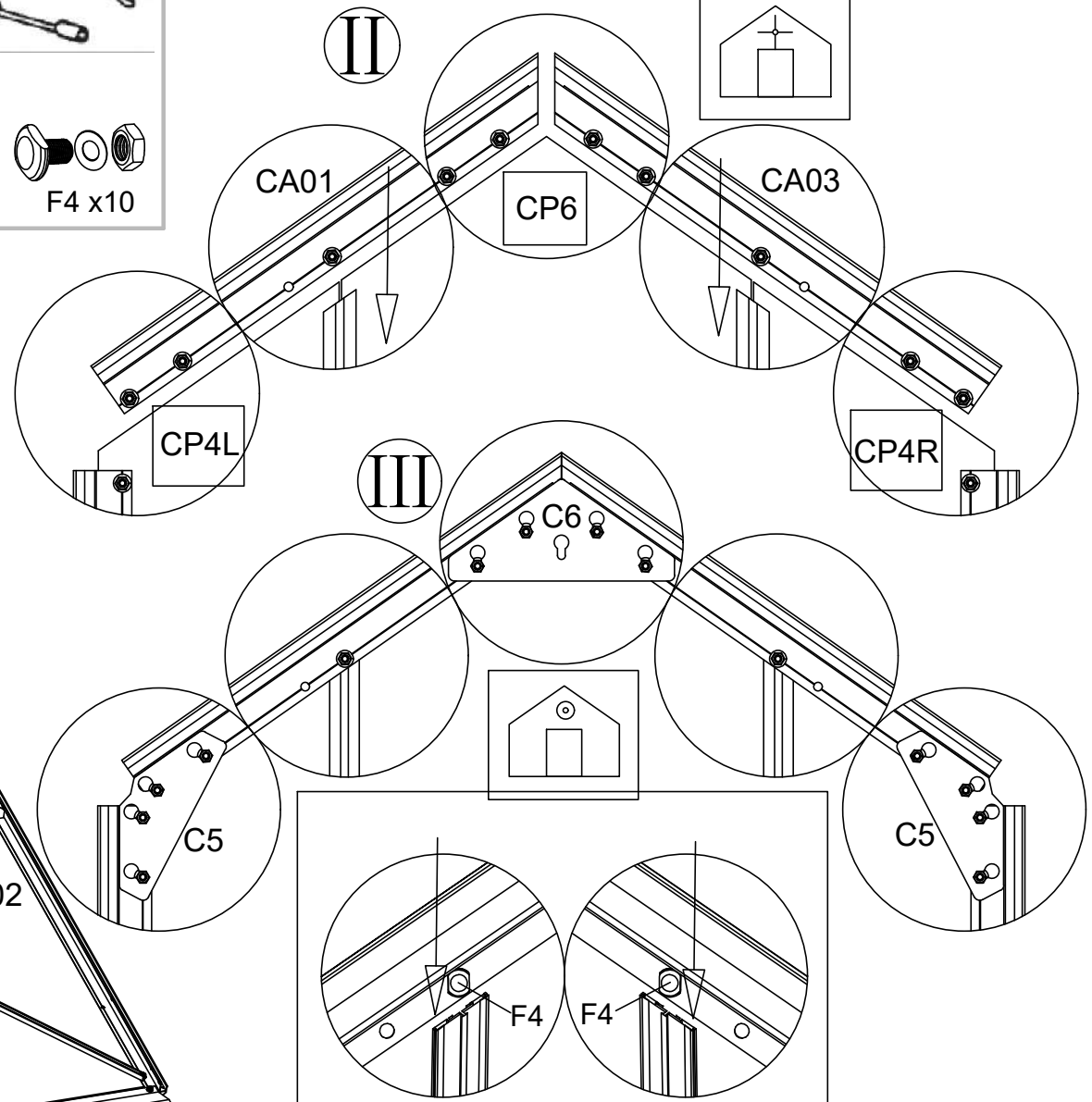
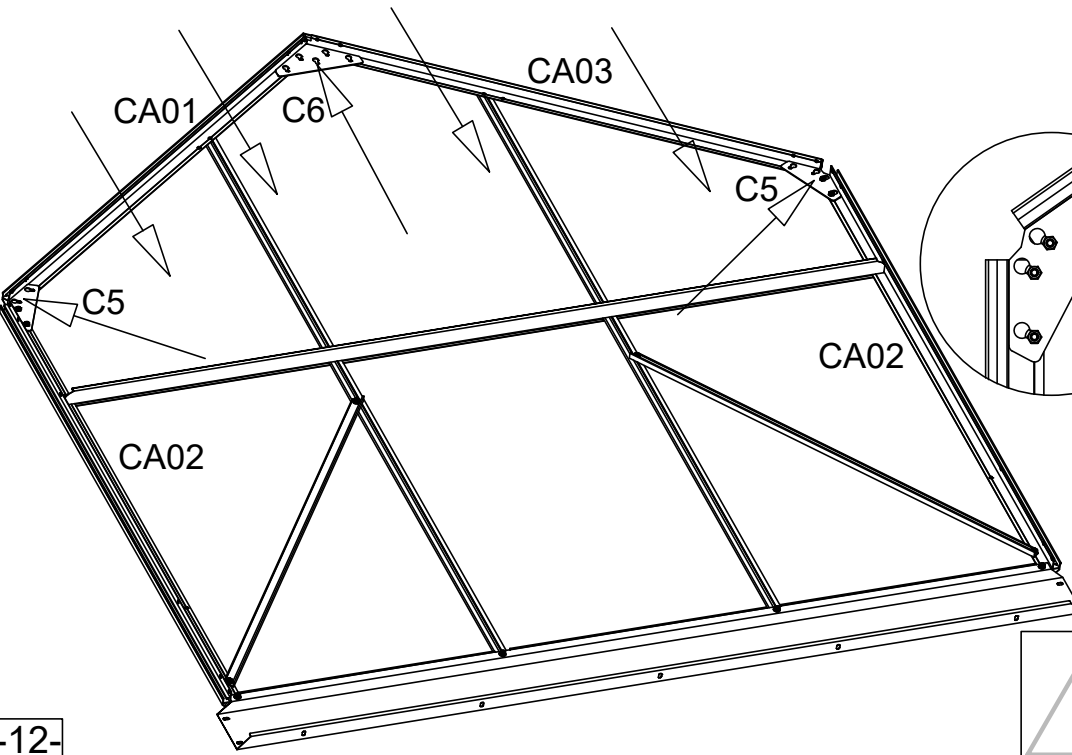
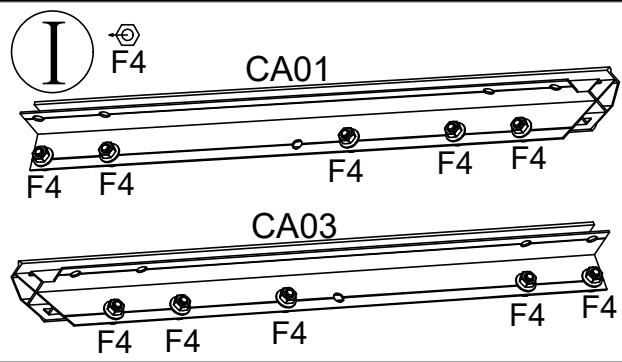
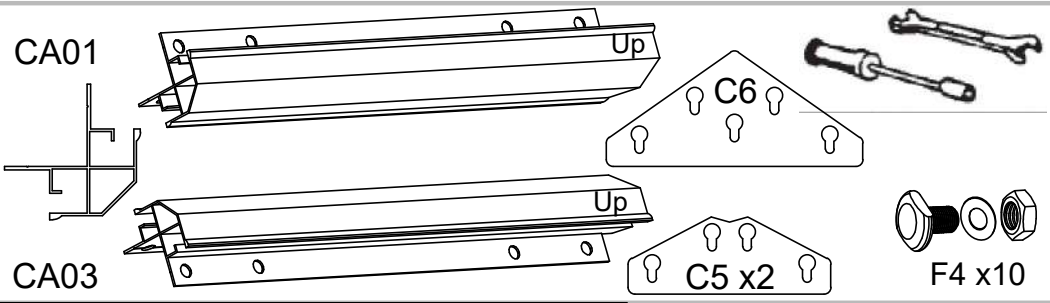
F4 x32





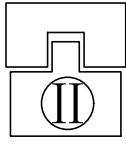
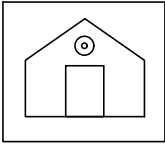




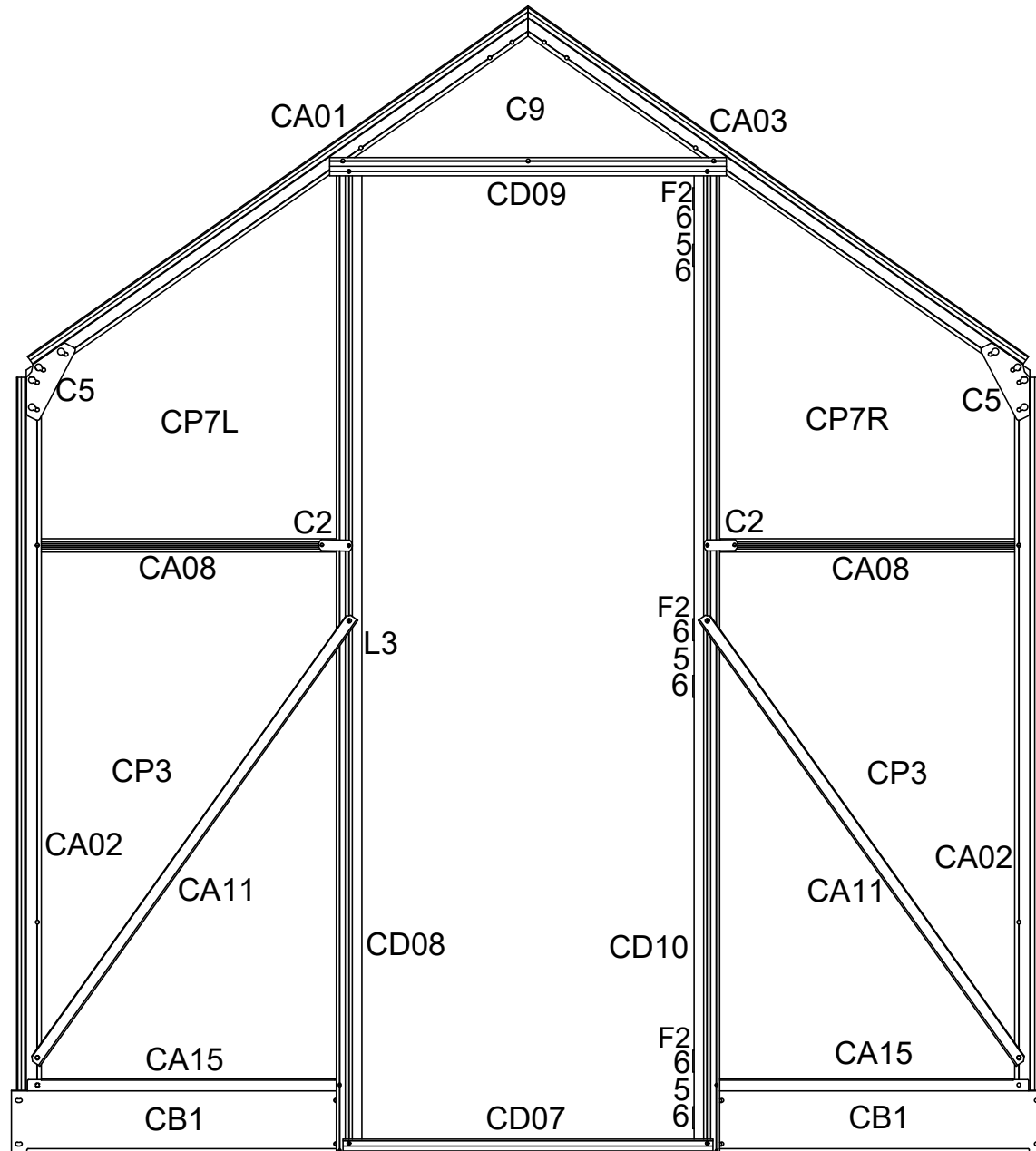


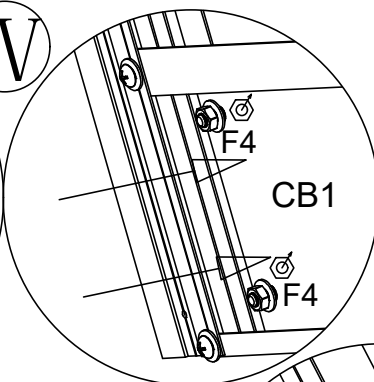
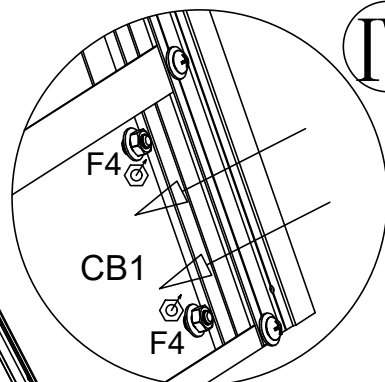
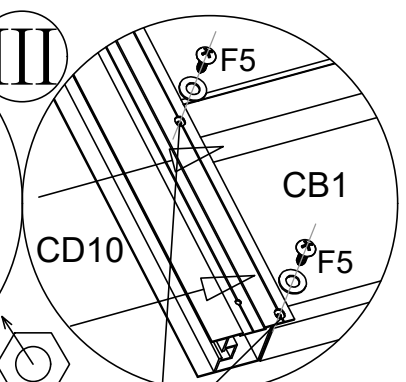
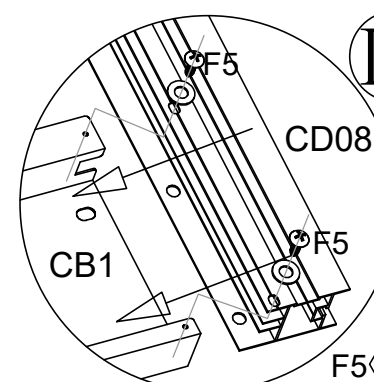
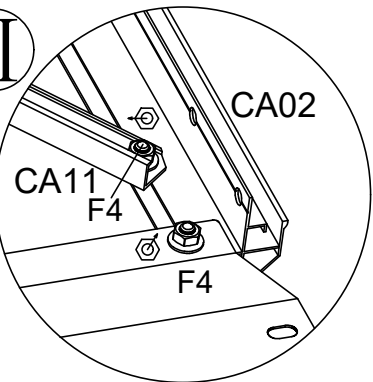
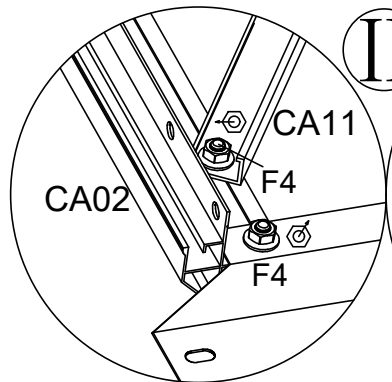
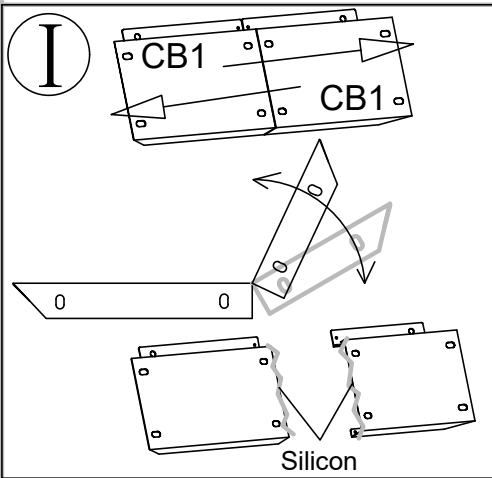
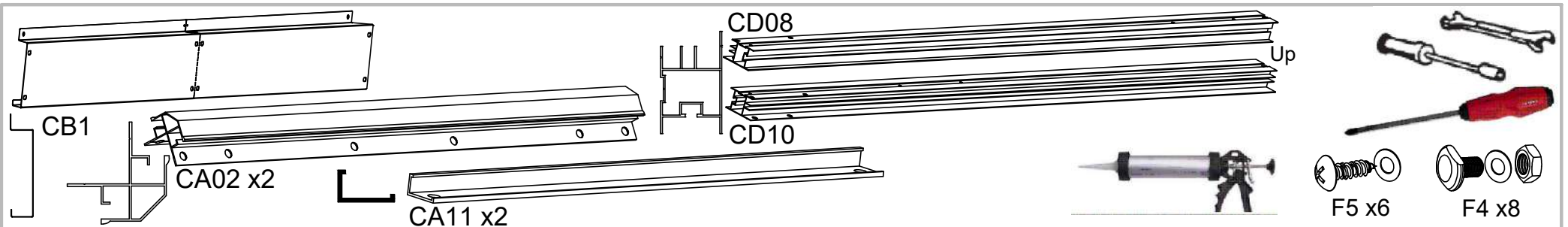
 **F4**  All the screws on the back wall are locked.

Front wall

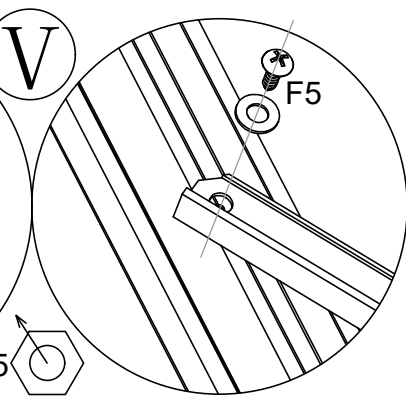
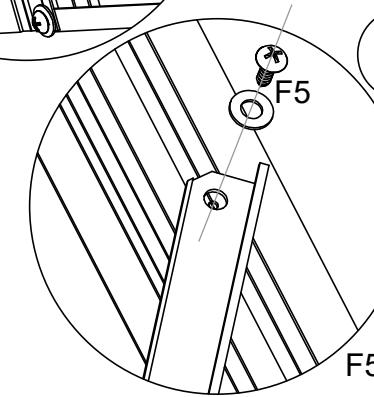
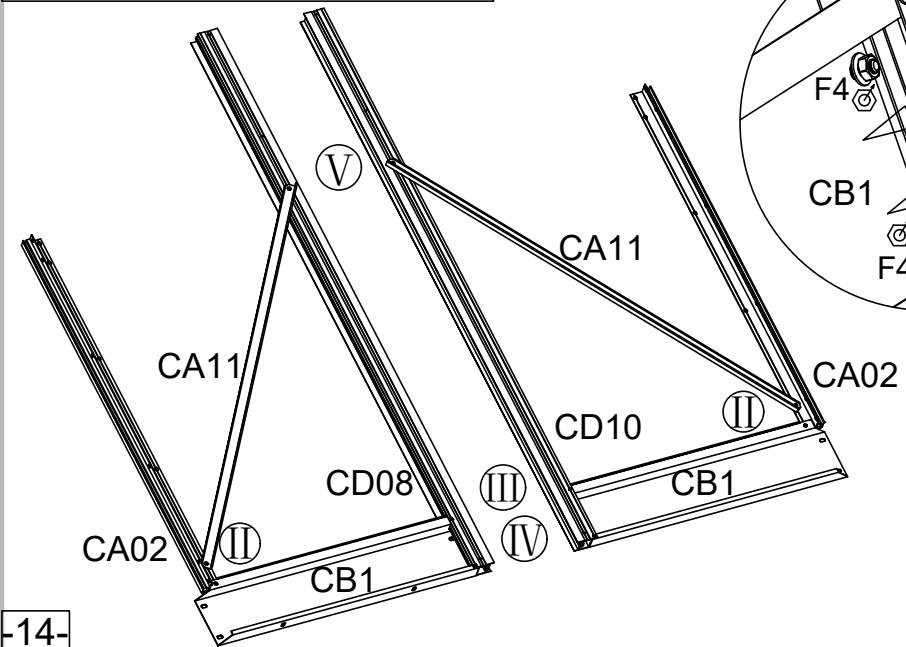


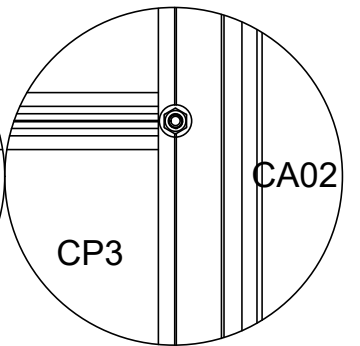
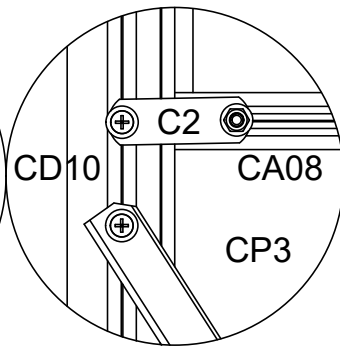
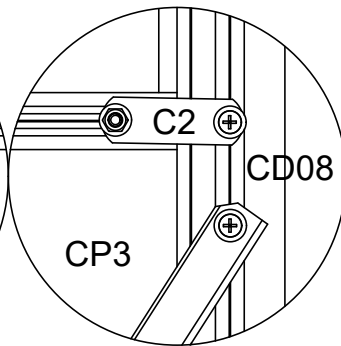
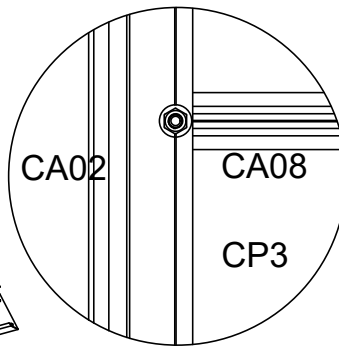
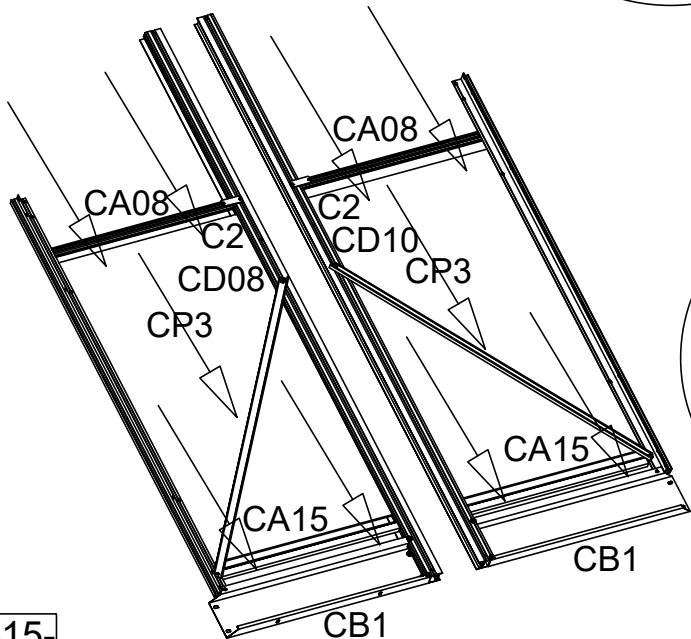
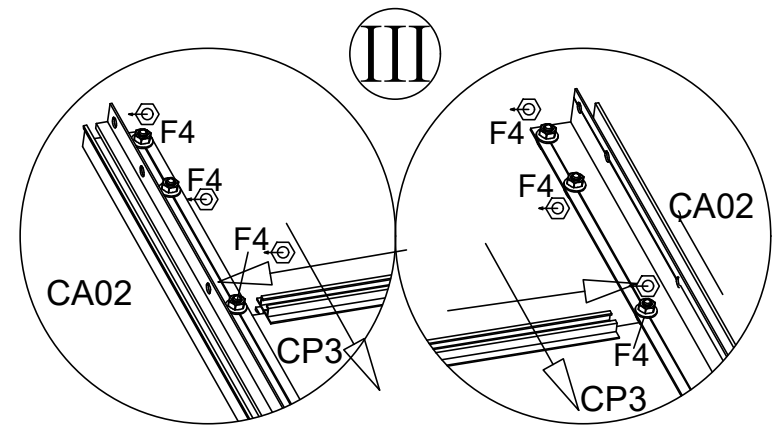
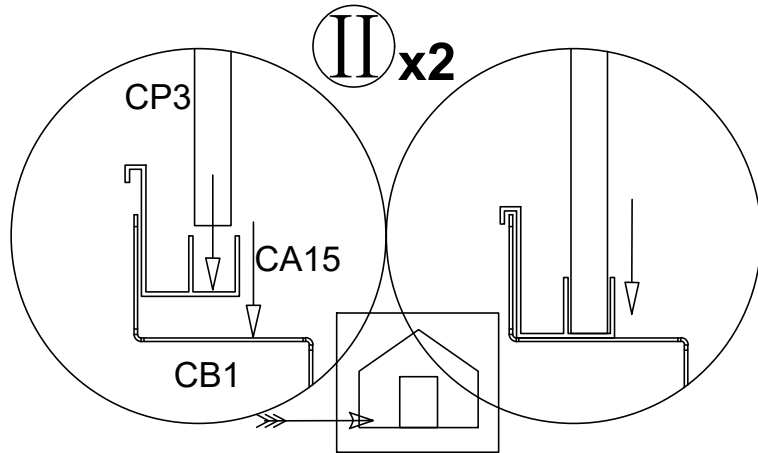
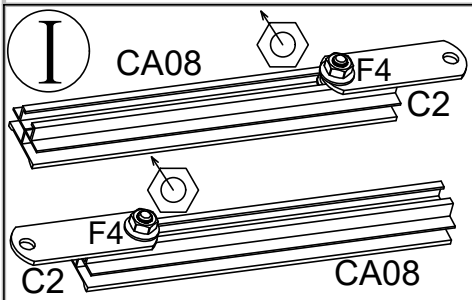
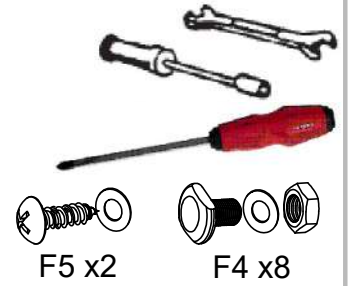
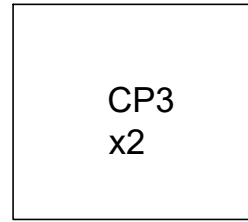
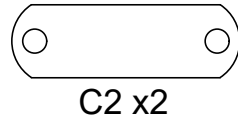
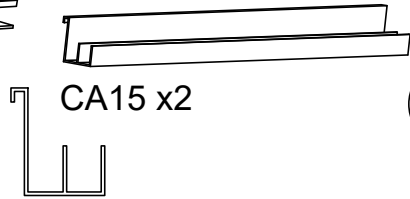
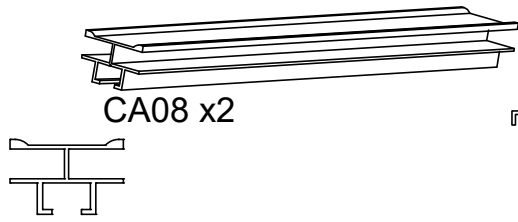
F4 x35

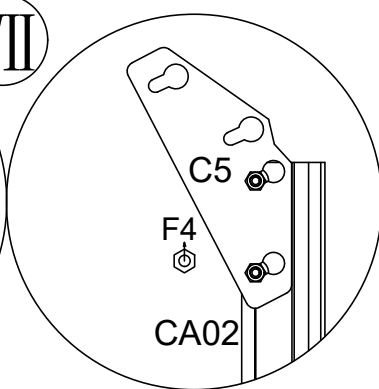
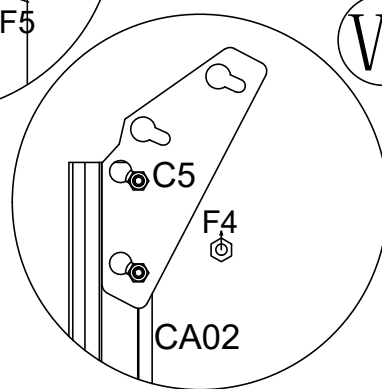
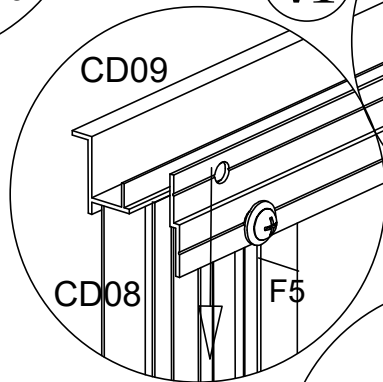
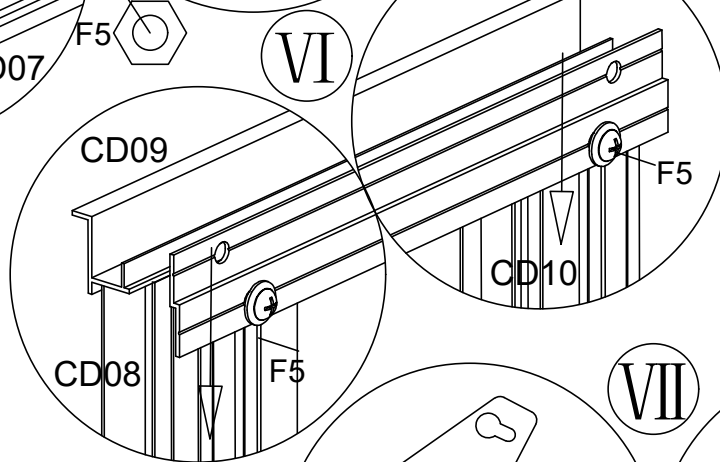
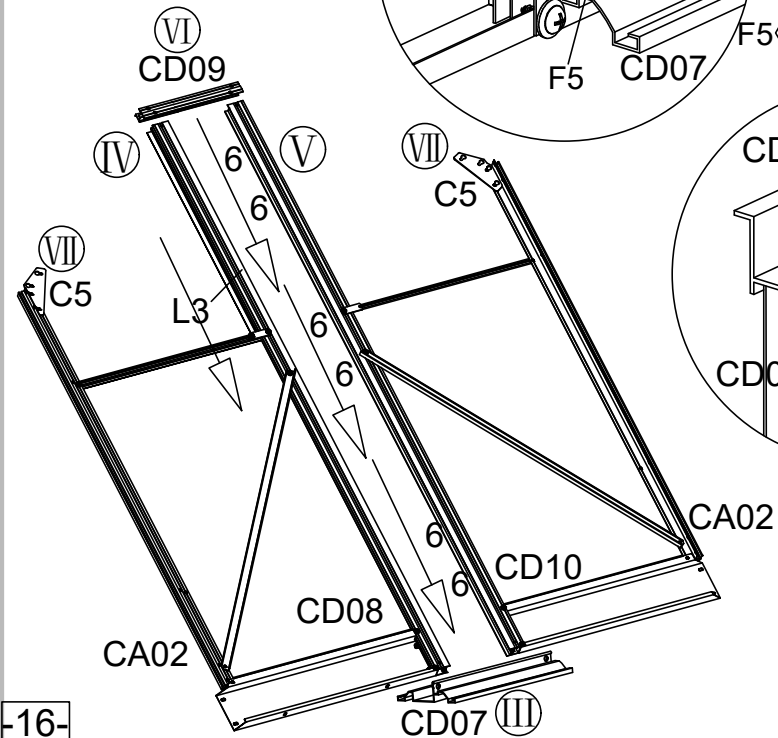
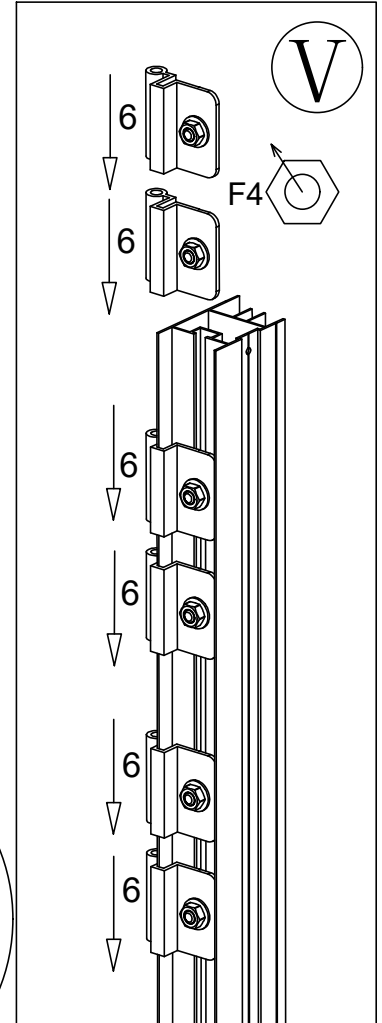
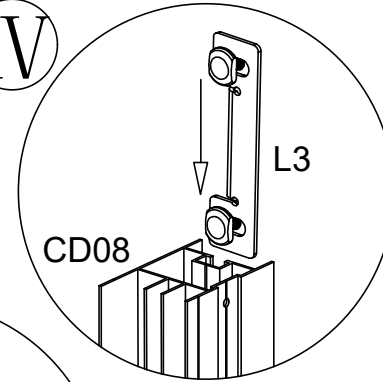
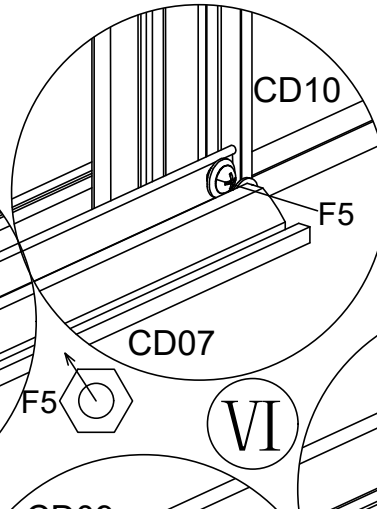
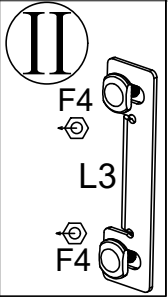
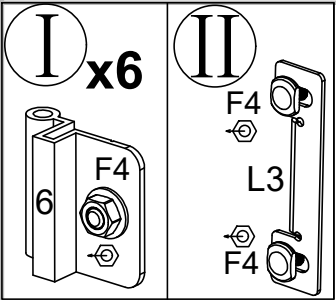
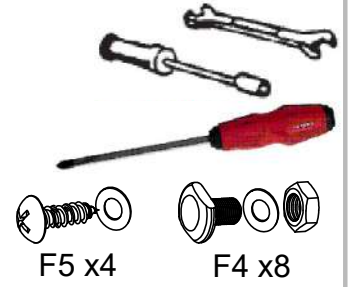
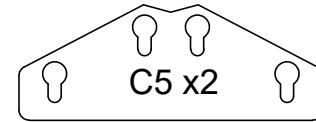
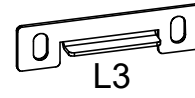
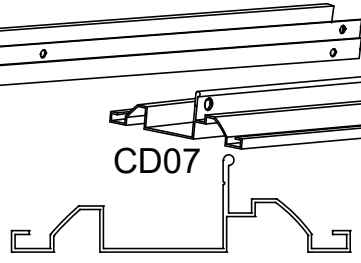
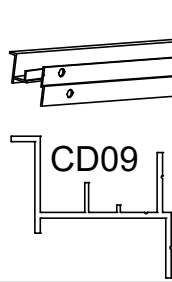
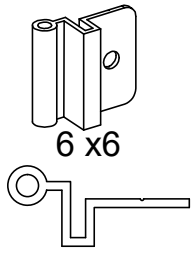


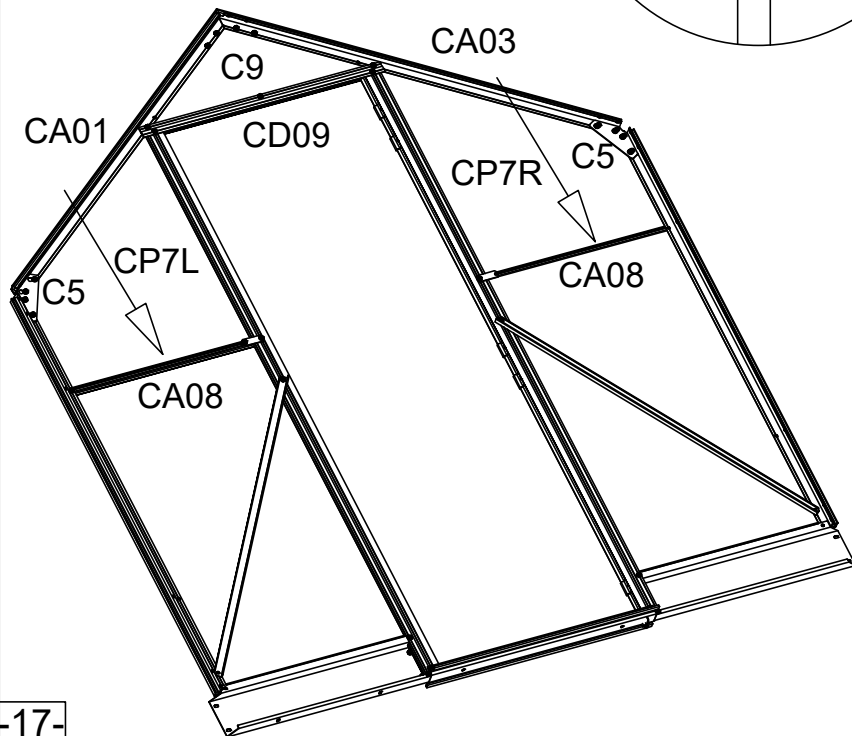
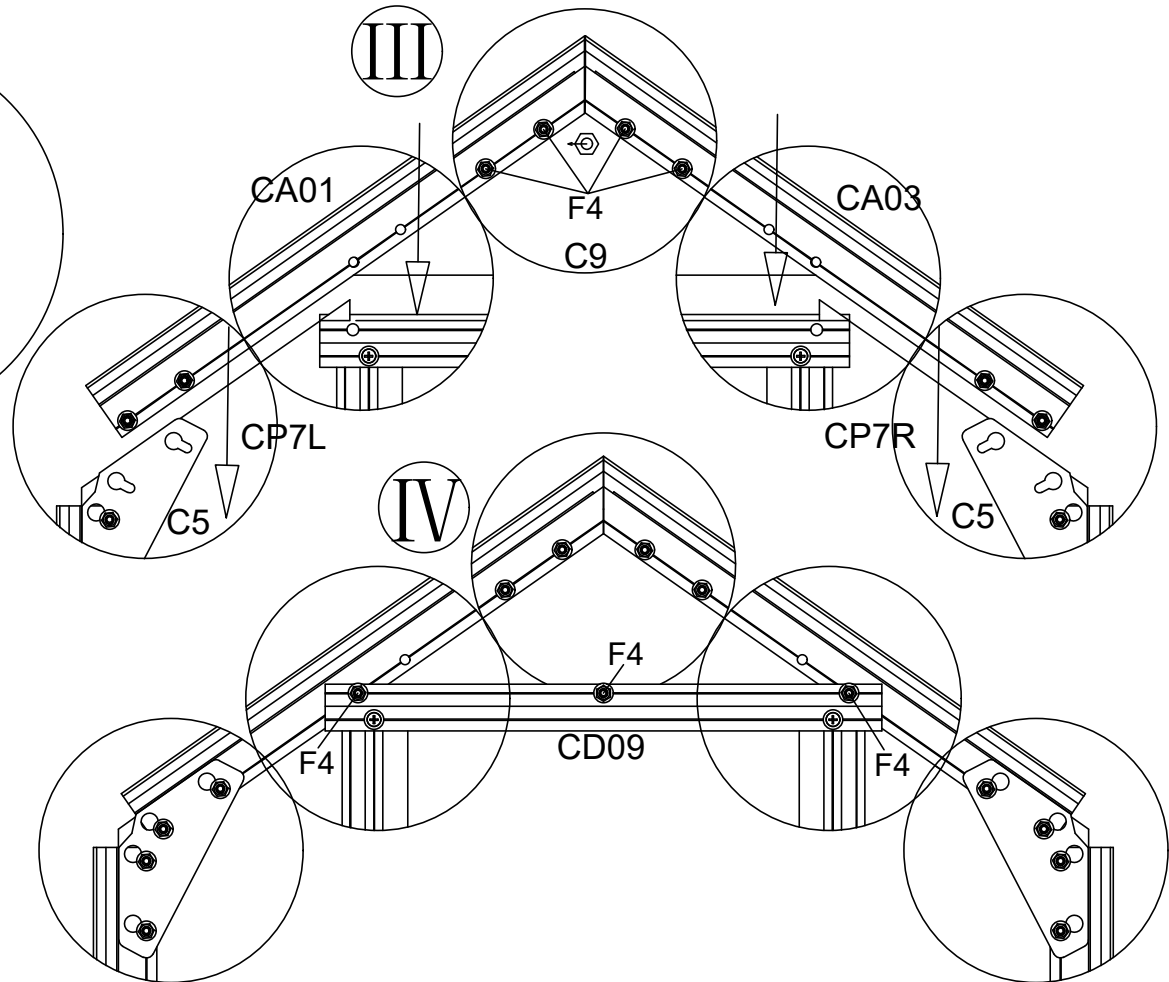
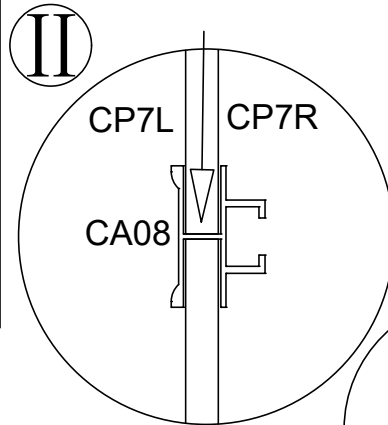
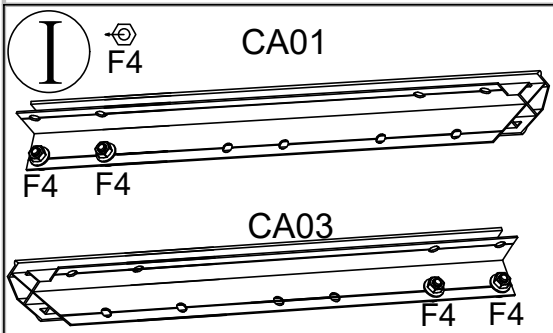
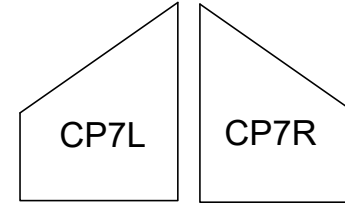
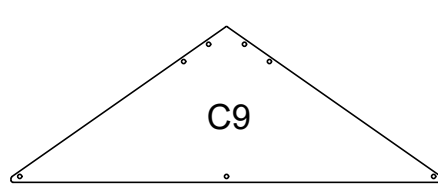
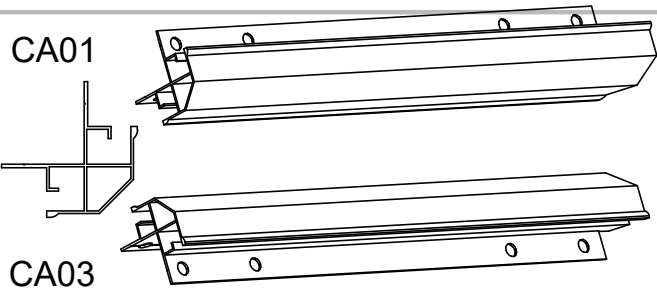


F5 Easier to install with WD-40 lubricant.





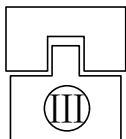
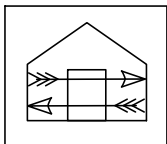




F4  F5

All the screws on the back wall are locked.

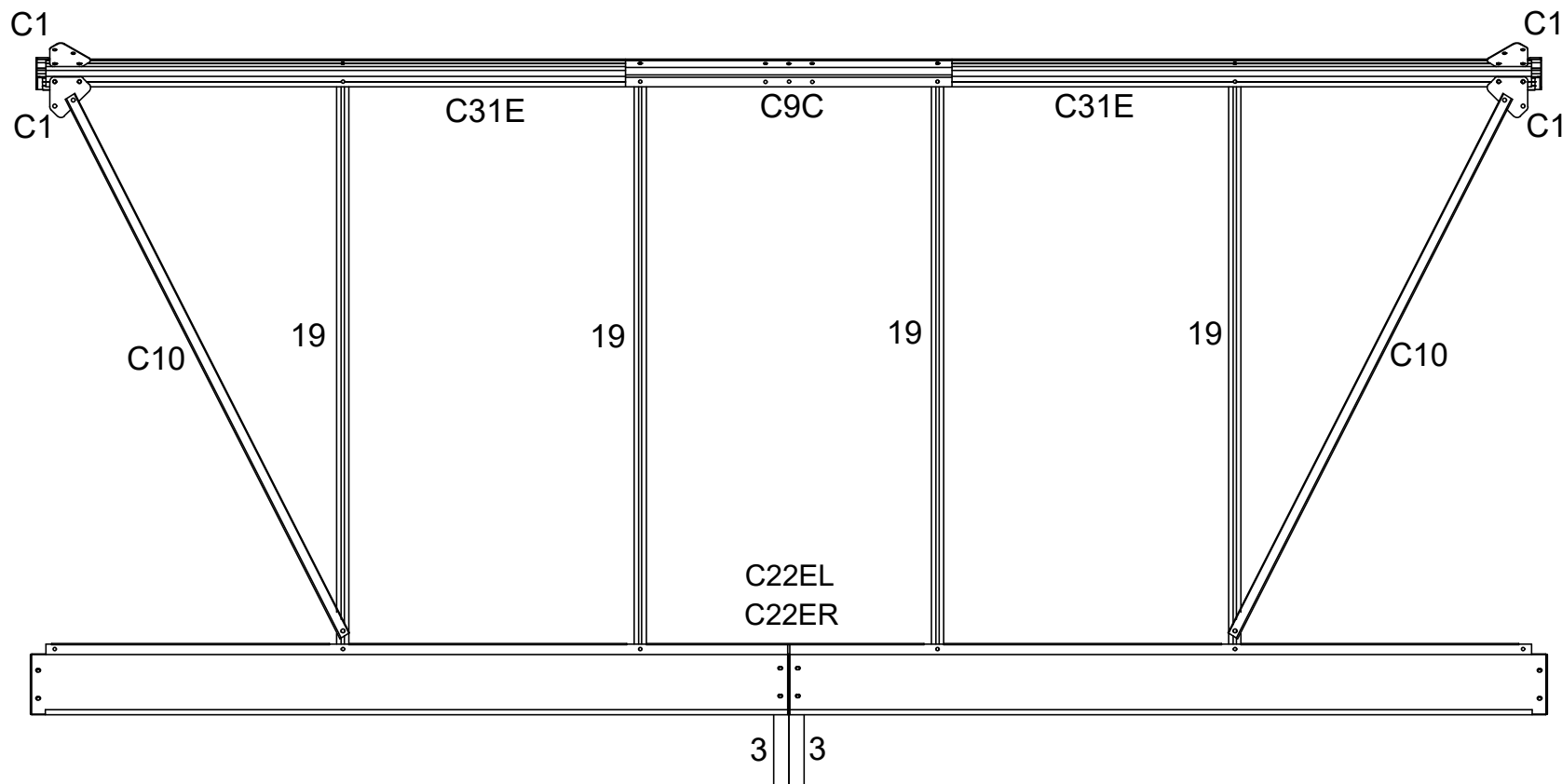
Left and right walls

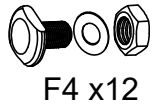
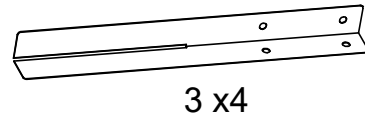
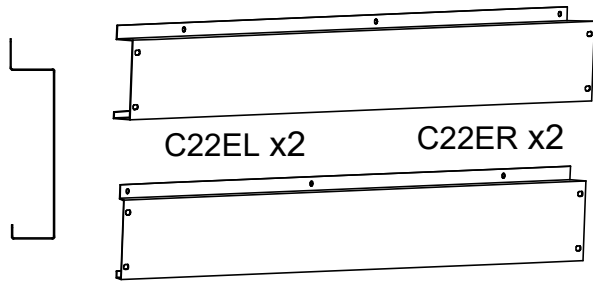


x2



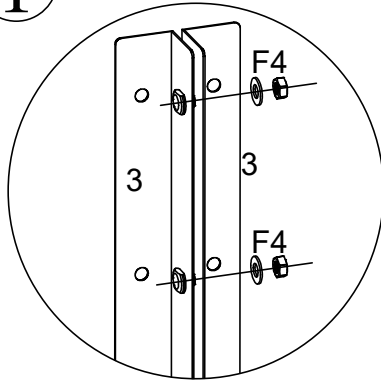
F4 x60



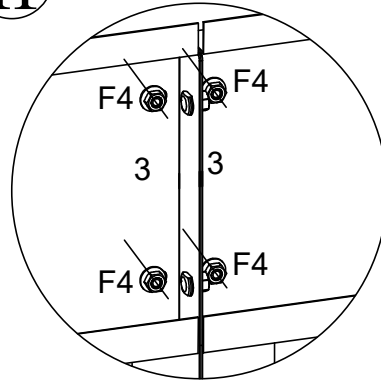


x2

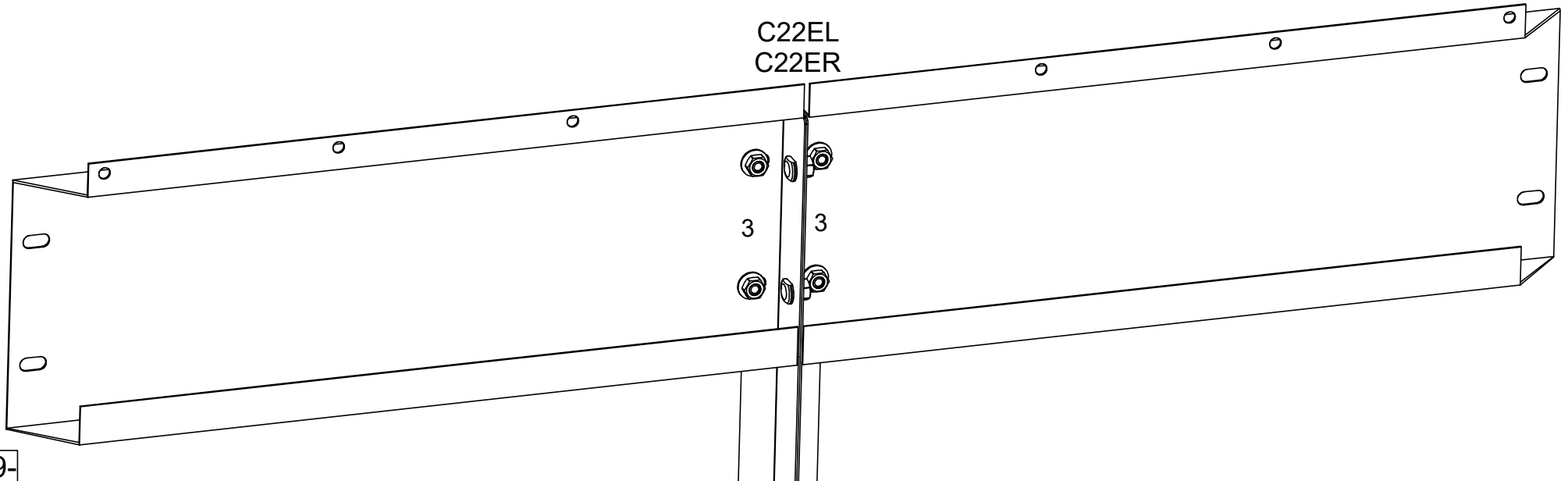
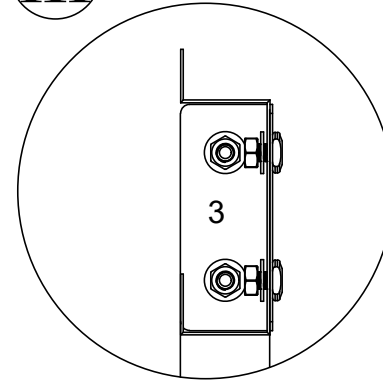
I

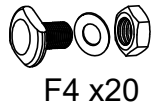
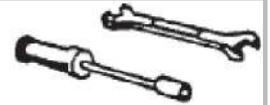
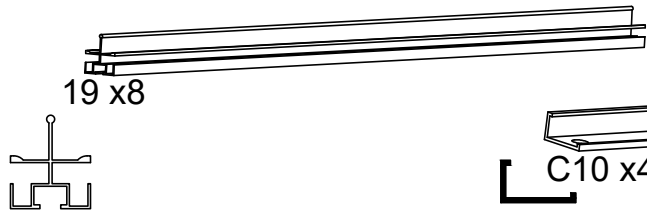


II

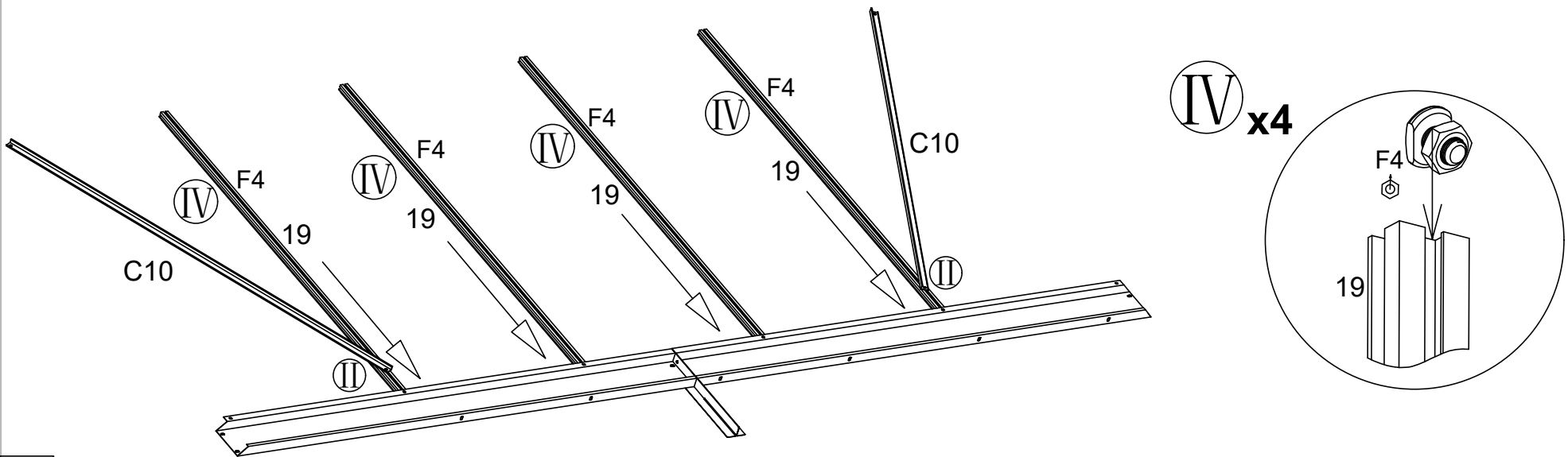
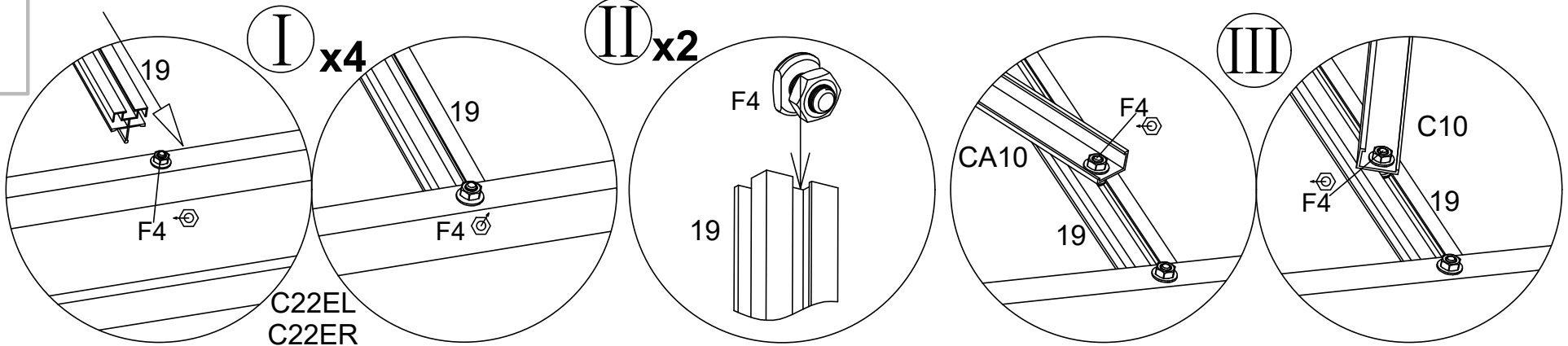


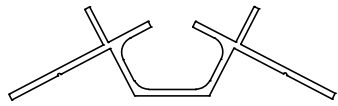
III



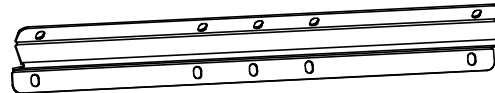


x2

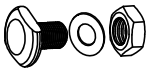




C31E x4

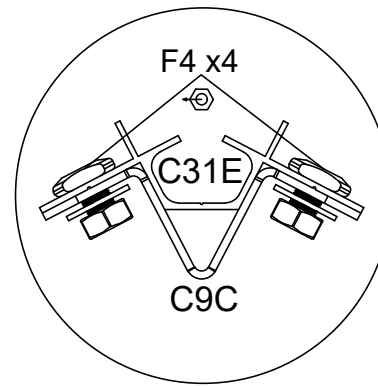
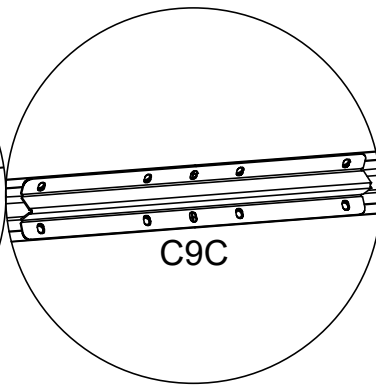
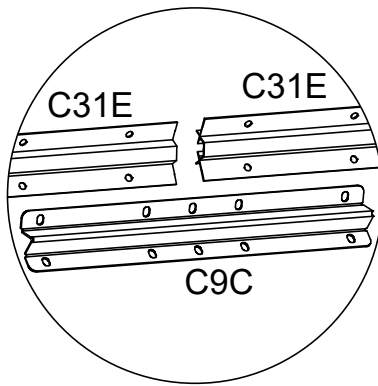
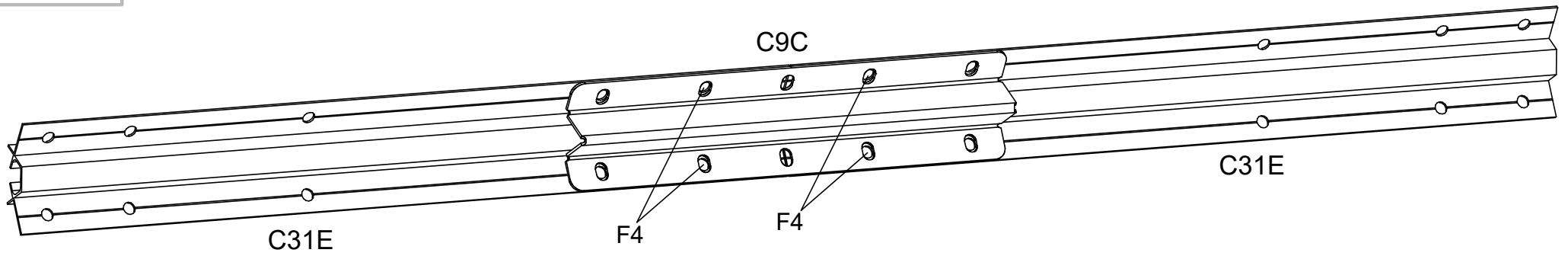


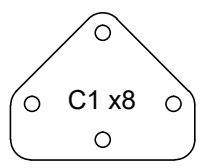
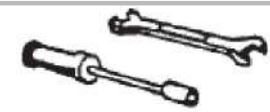
C9C x2



F4 x8

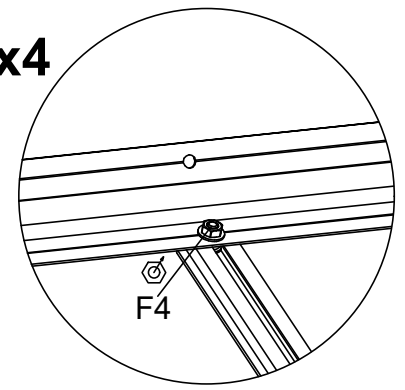
x2



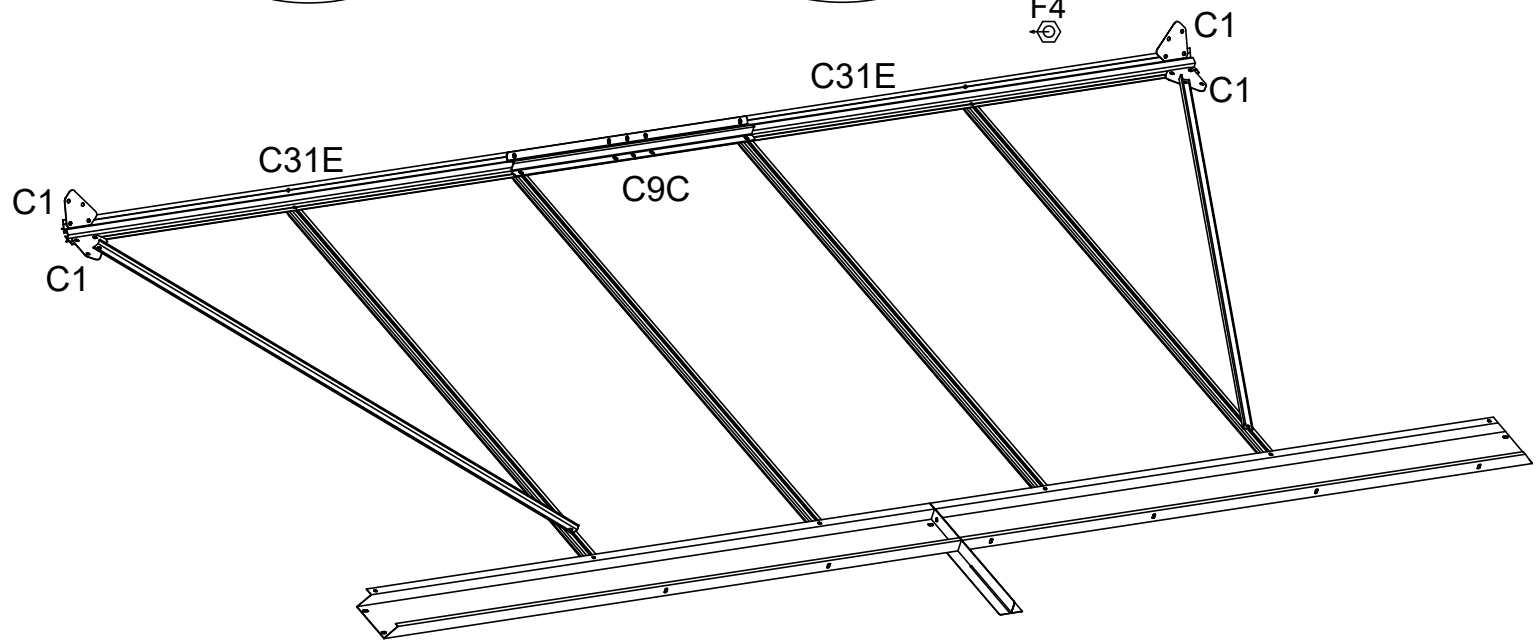
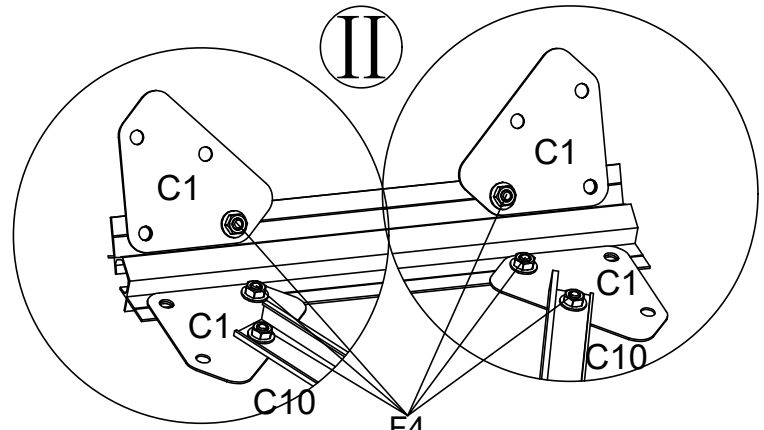


x2

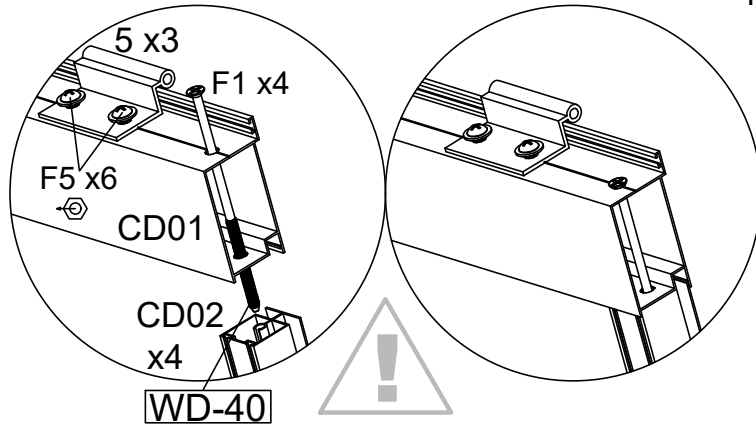
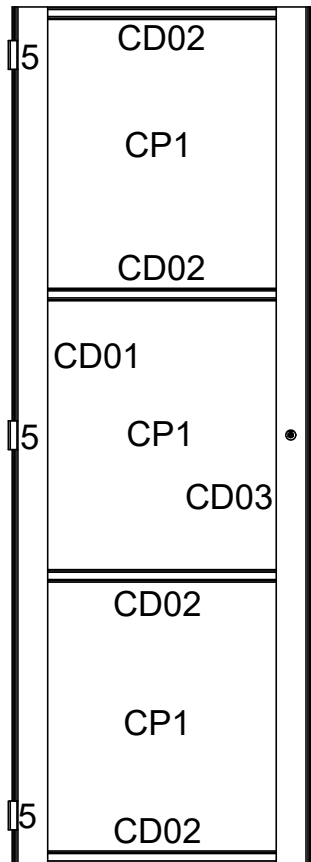
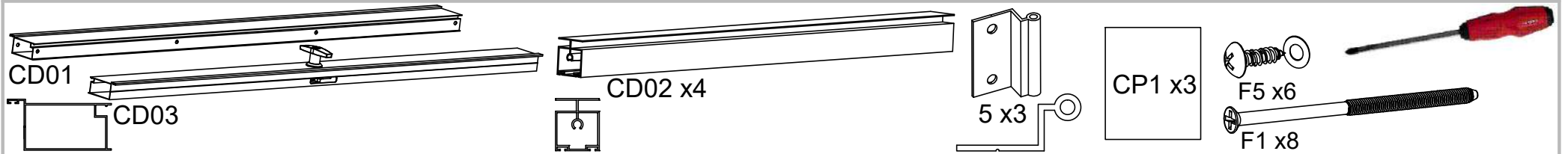
I x4



II

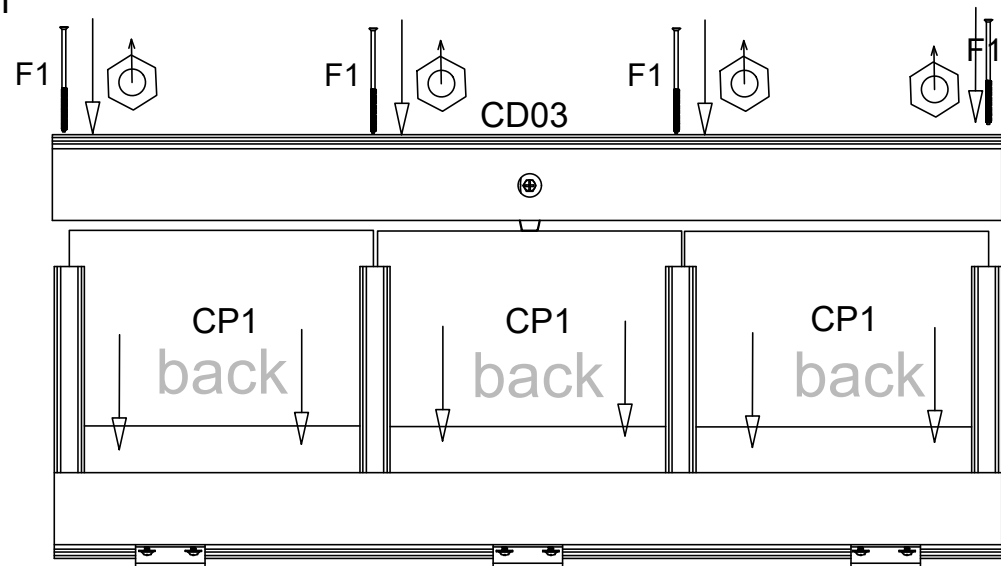
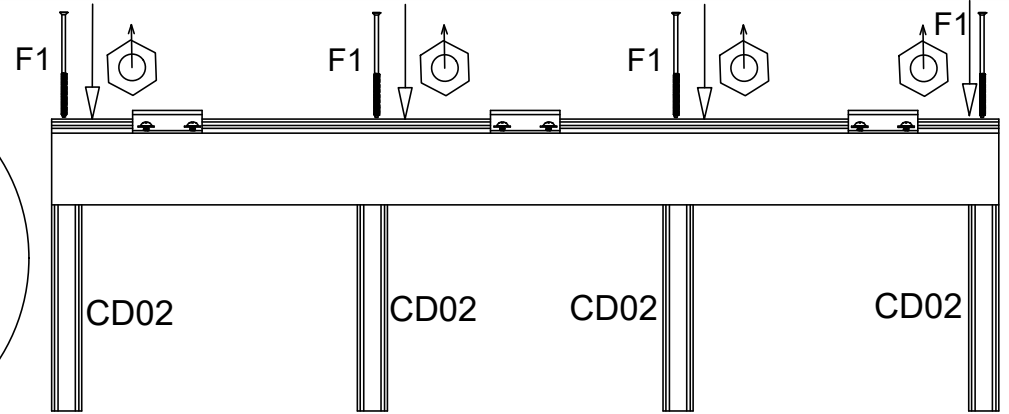


Door



WD-40

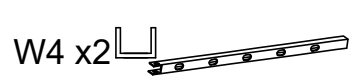
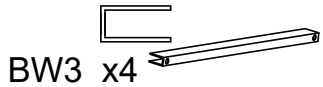
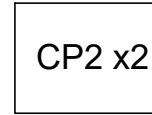
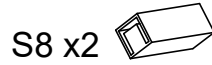
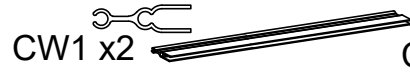
F1 Easier to install with WD-40 lubricant.



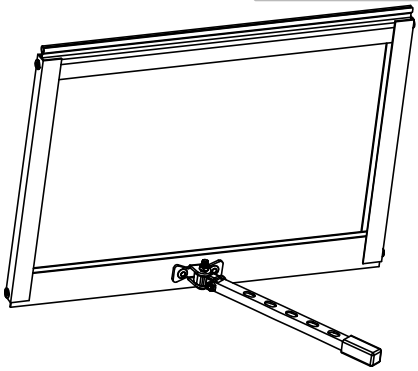
Note toward the UV surface to the Sun.

Note the direction

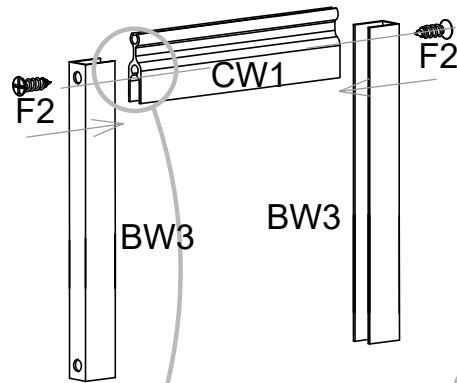
WINDOW



WINDOW x2



I

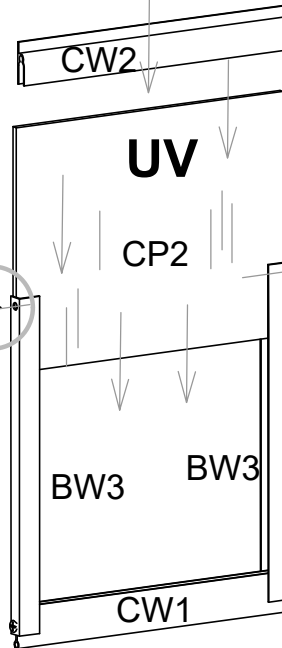


II



Note toward the UV surface to the Sun.

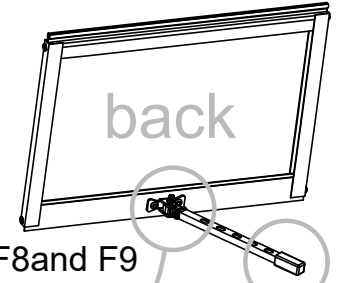
Note the direction of part No.3



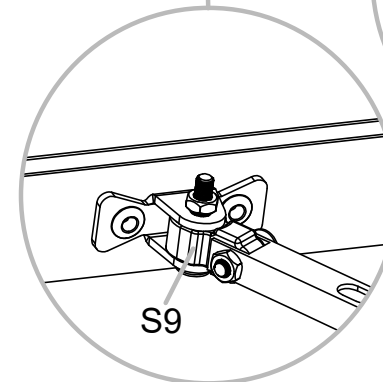
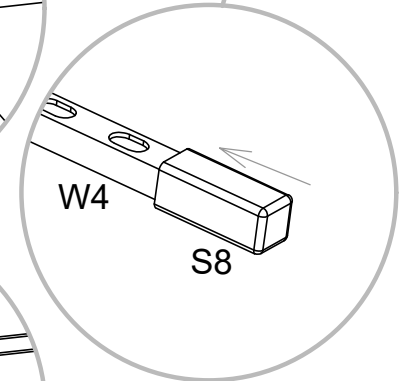
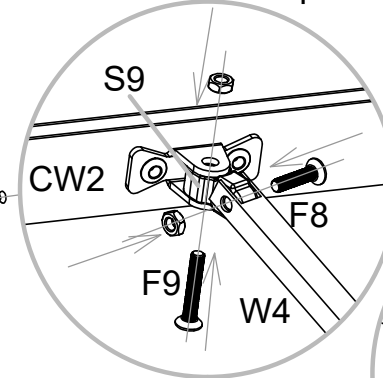
III



Note the direction of parts F8 and F9



F2 will be easy to install by using lubricants

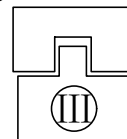
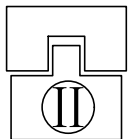
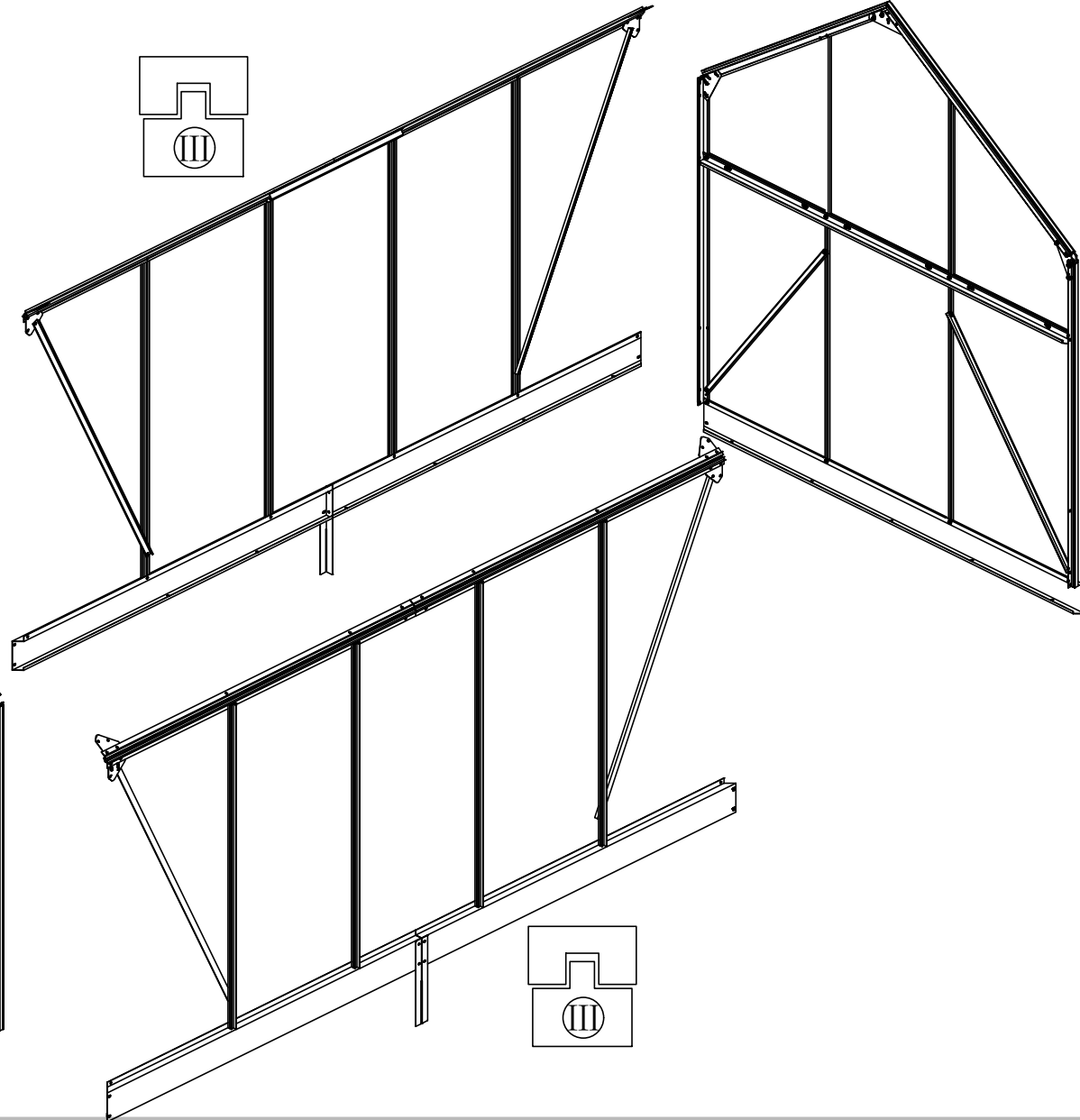
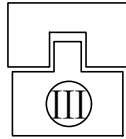
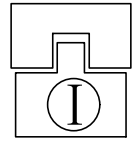


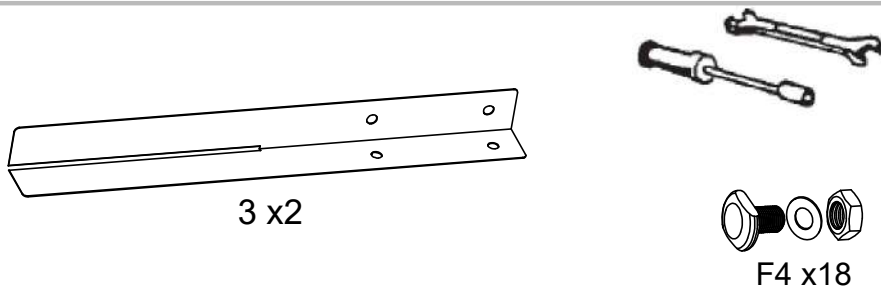


Assembled above the foundation

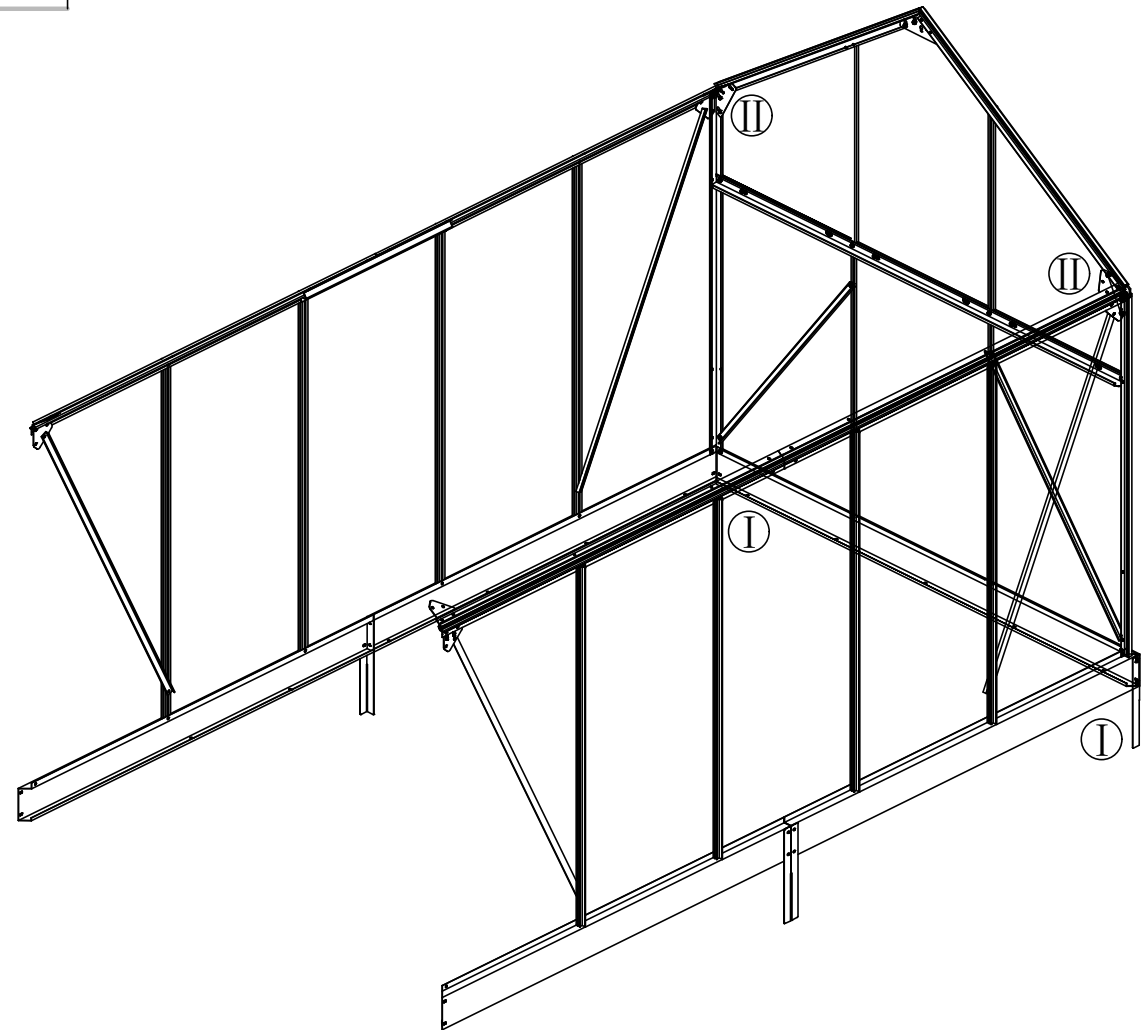
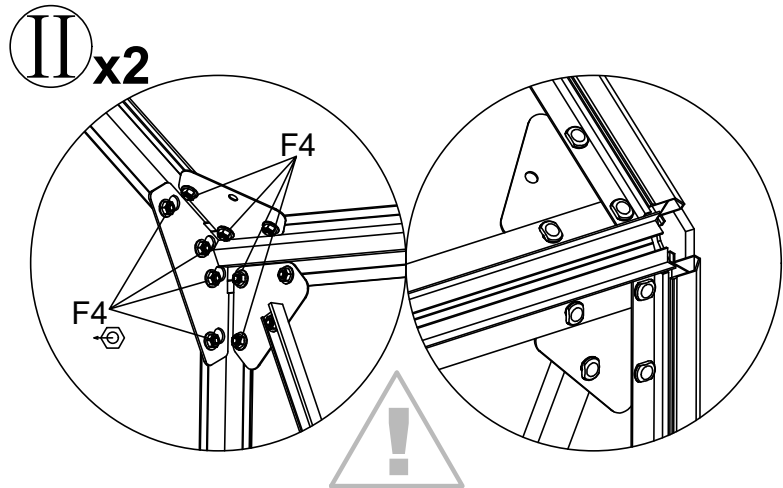
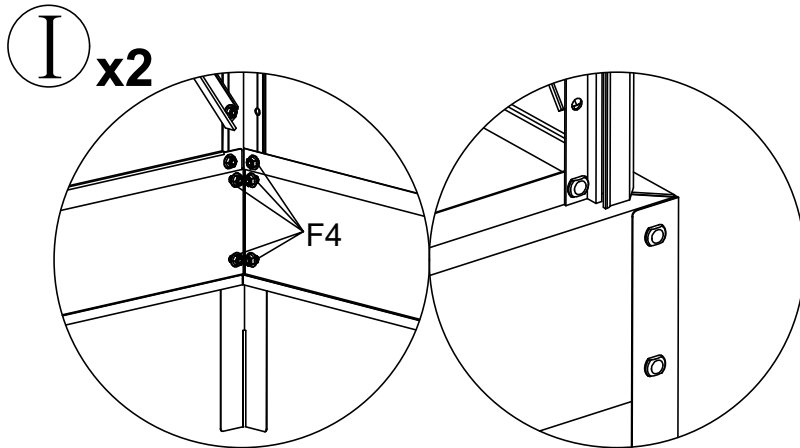


F4 x36

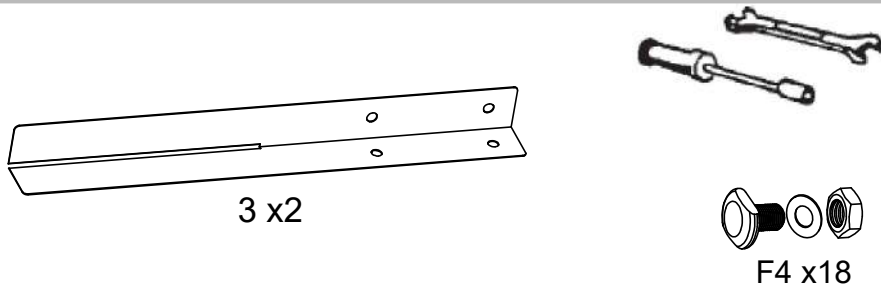




The back wall is fixed with a ladder to avoid being blown down by the wind.

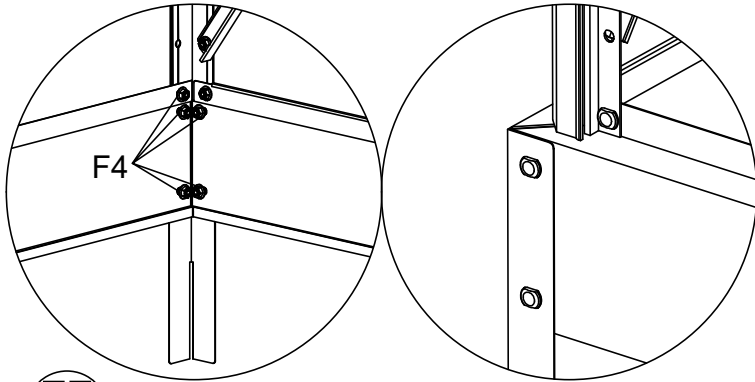


It is recommended to loosen the screw and adjust the fit clearance.

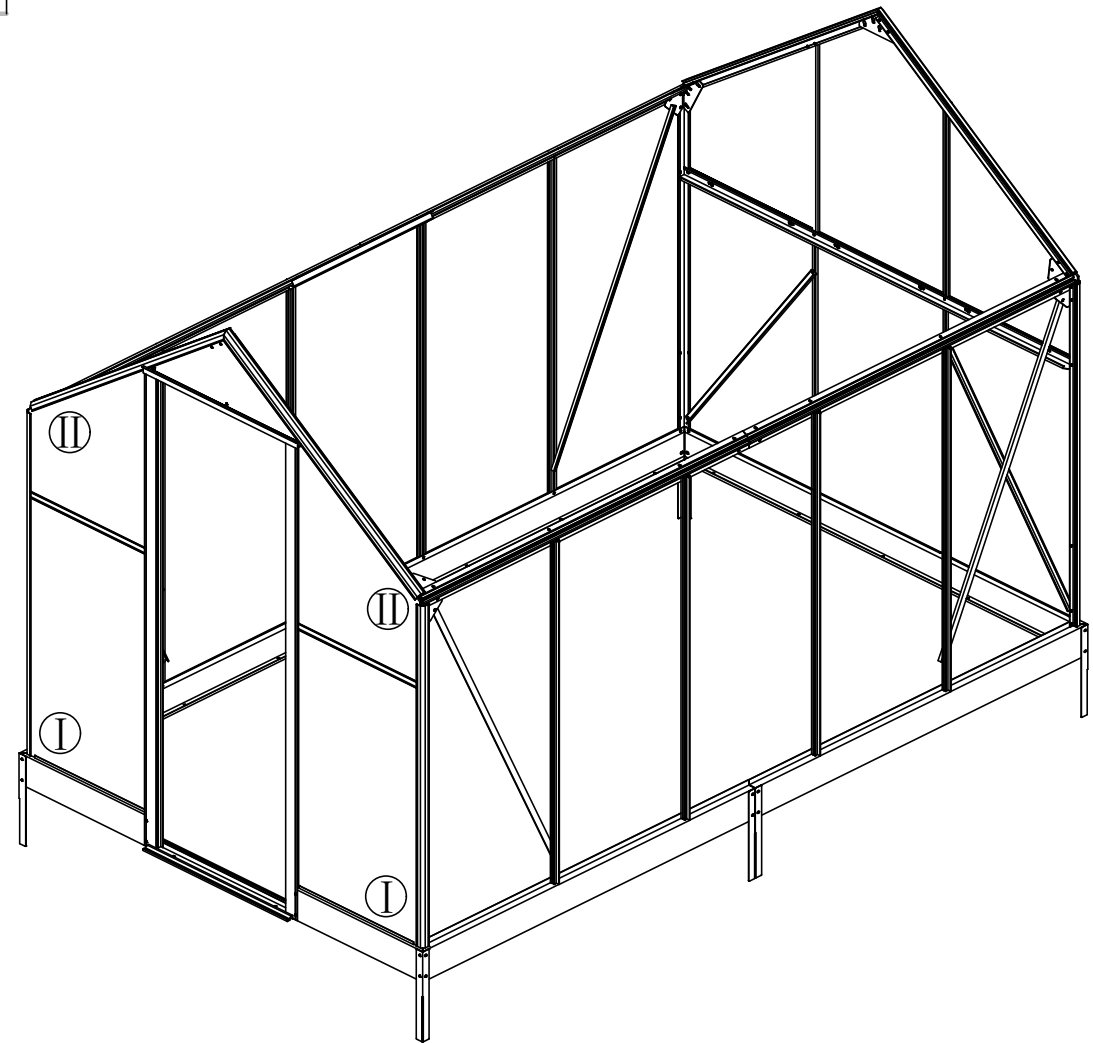
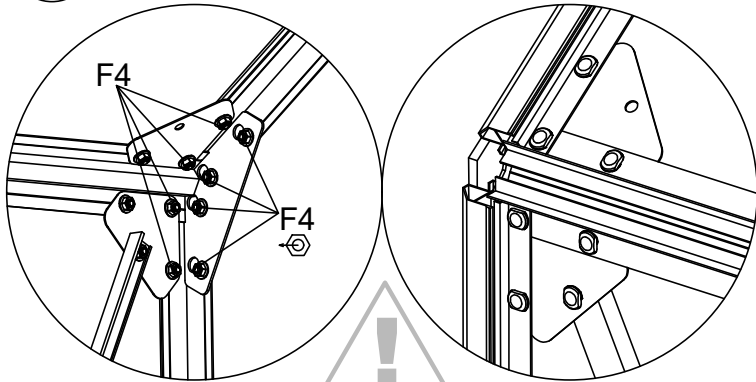


The front wall is fixed with a ladder to avoid being blown down by the wind.

I x2

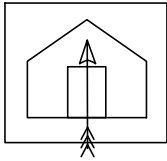


II x2



It is recommended to loosen the screw and adjust the fit clearance.

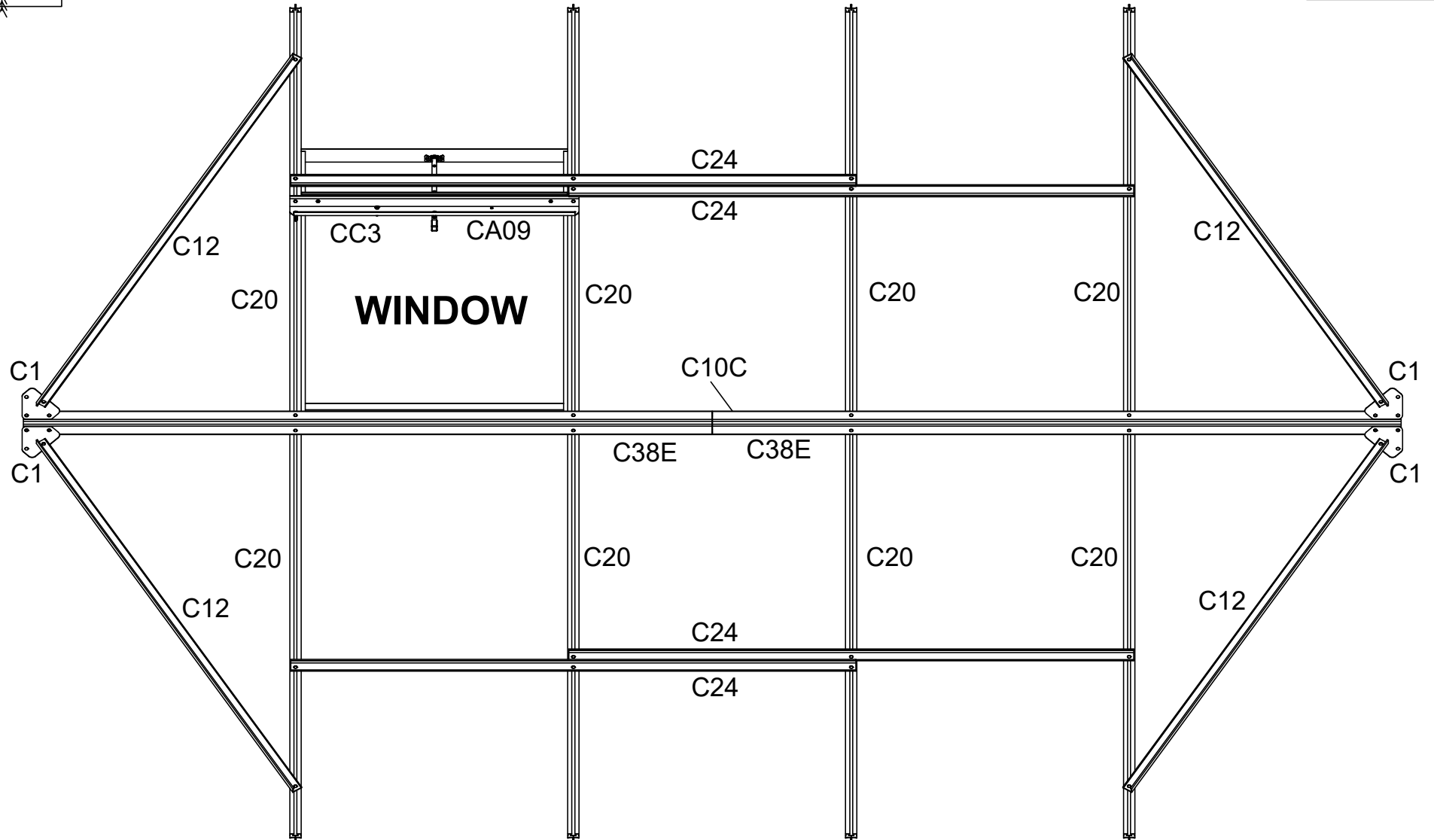
Top

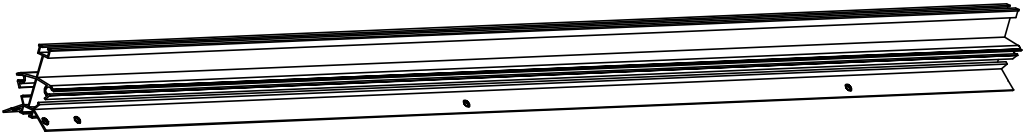
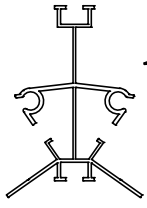


You can choose the location of the hanging window installation according to your own usage habits and air circulation.



F4 x53





C38E x2



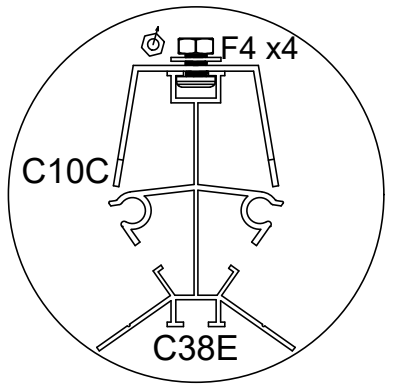
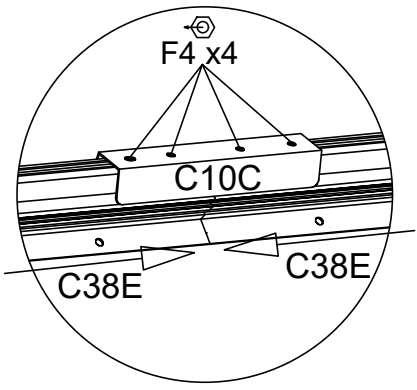
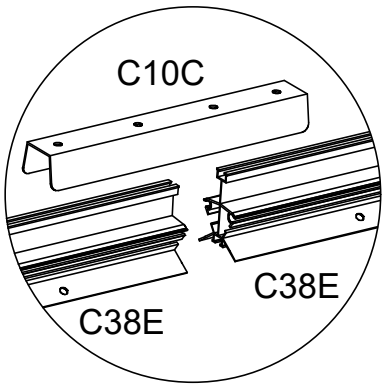
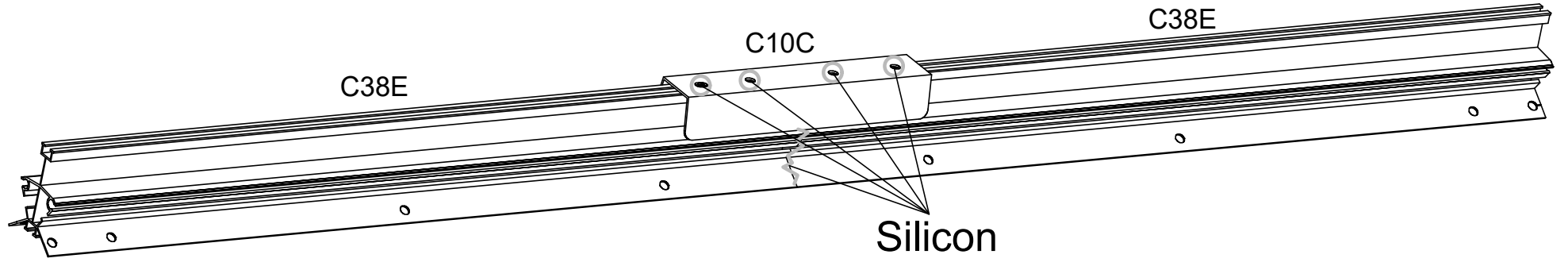
C10C

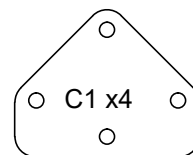
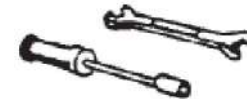


Silicon

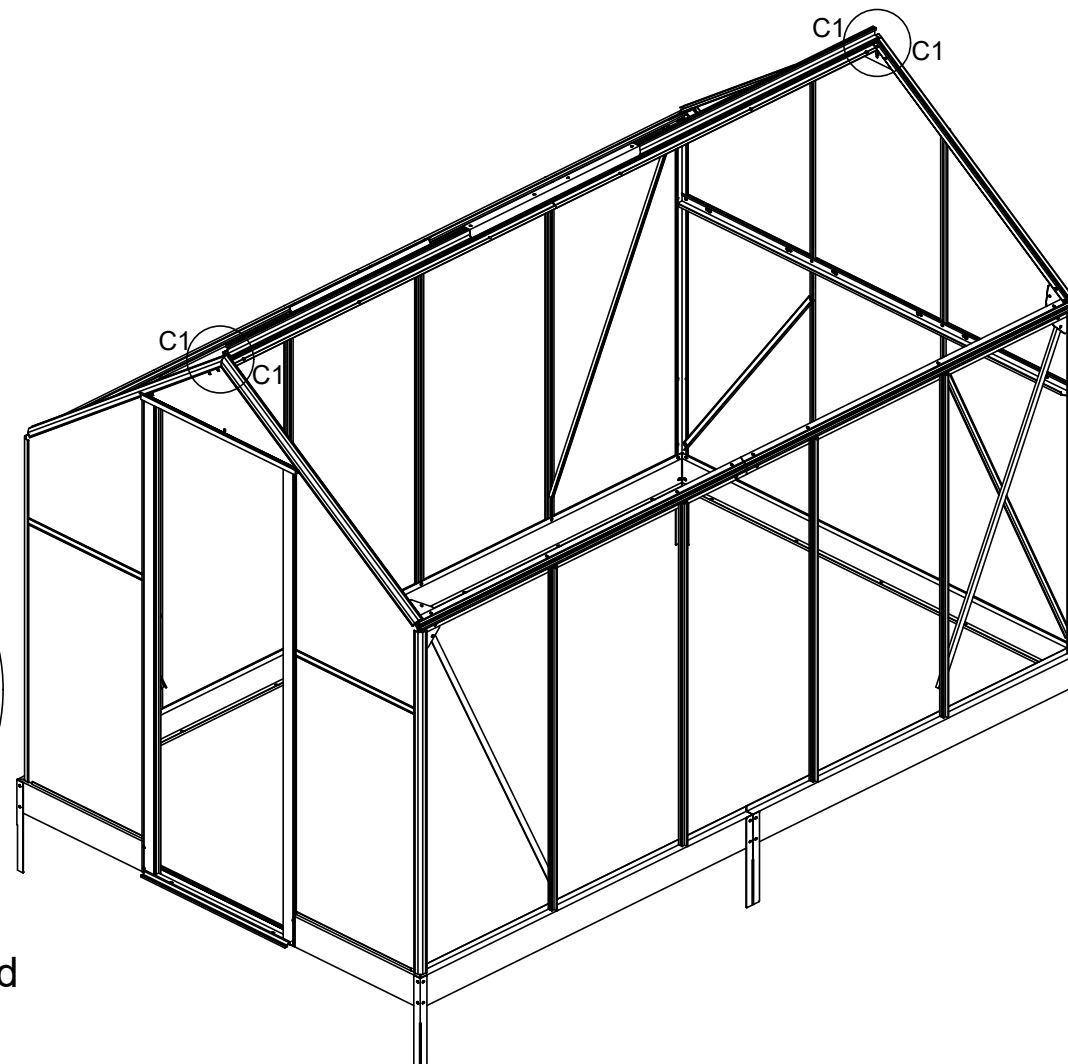
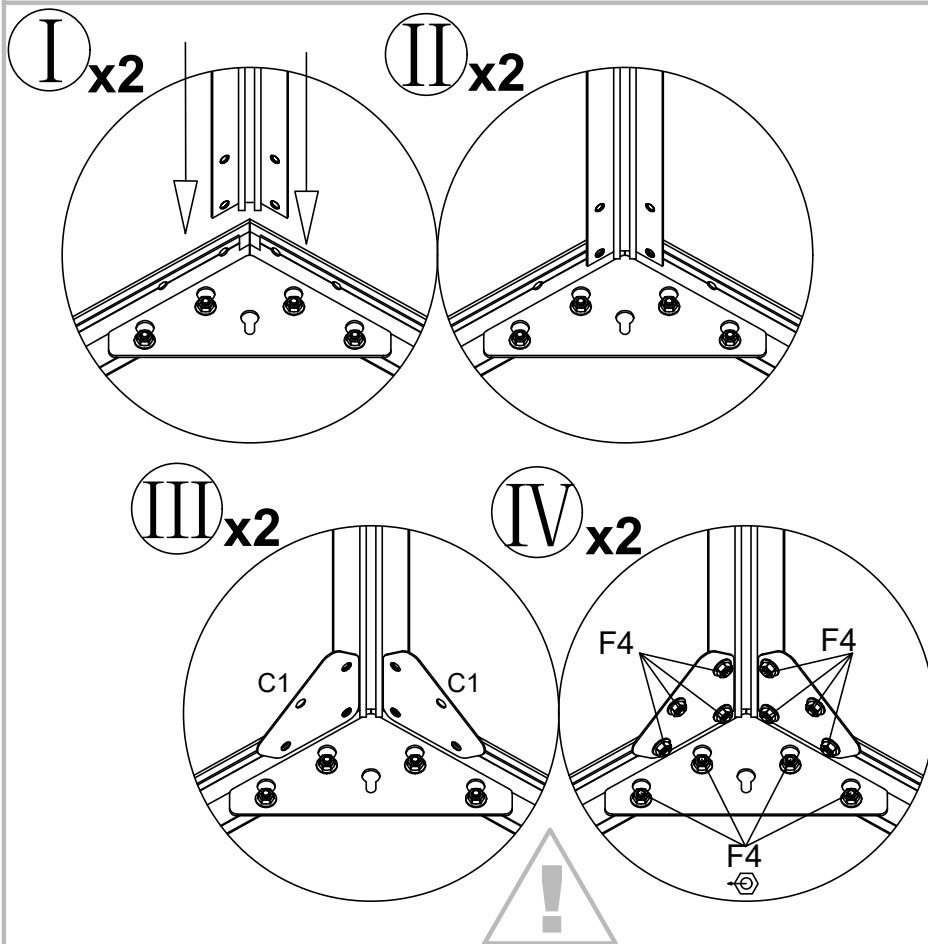


F4 x4

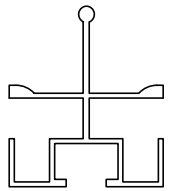




F4 x16



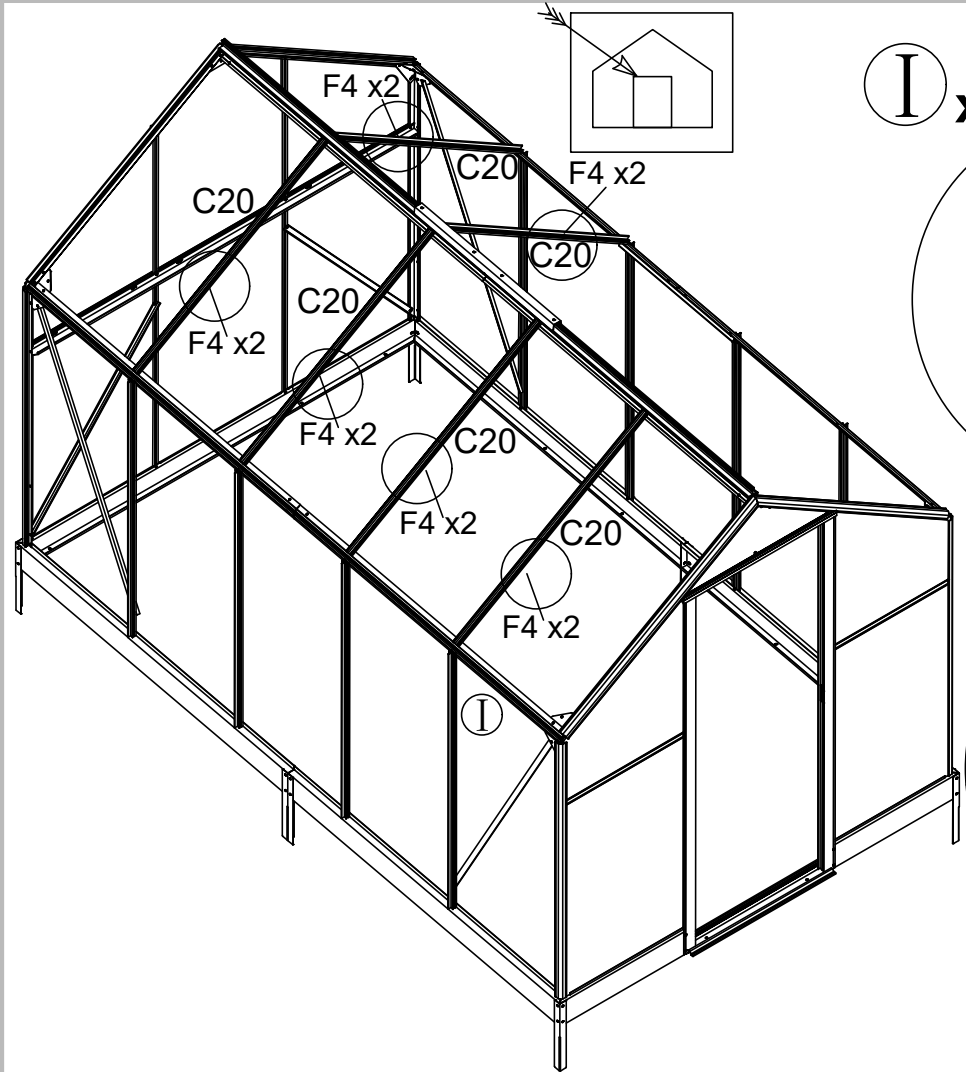
It is recommended to loosen the screw and adjust the fit clearance.



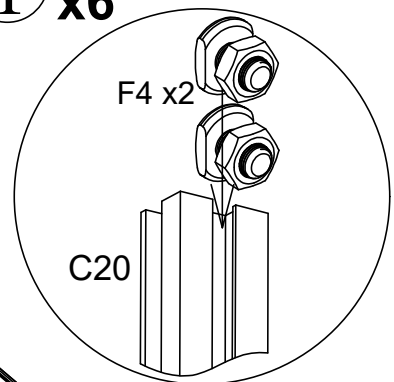
C20 x6



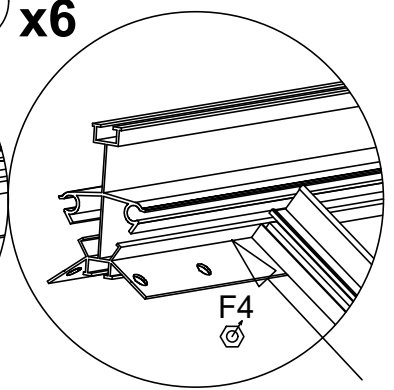
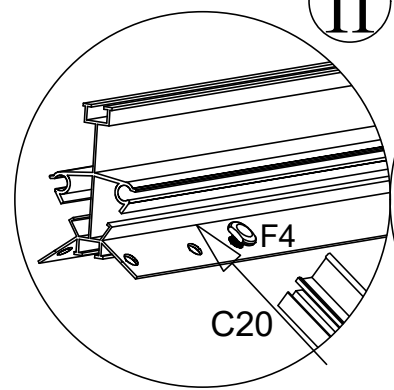
F4 x24



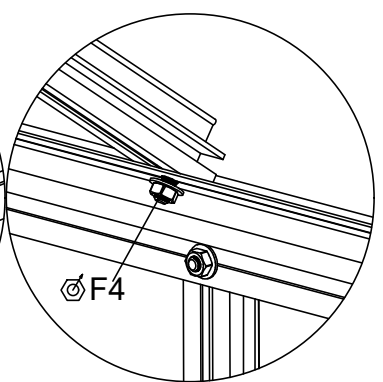
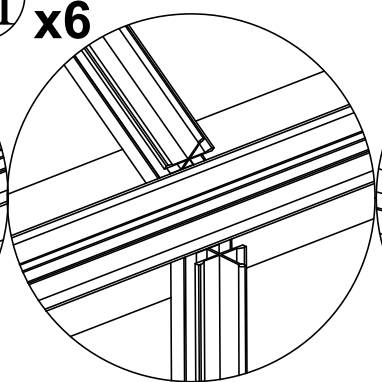
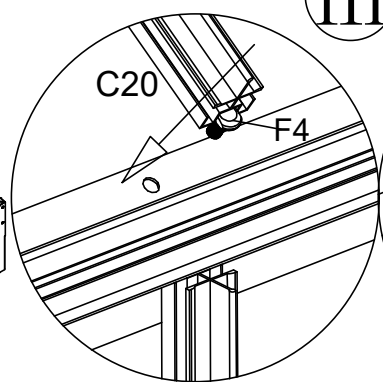
I x6

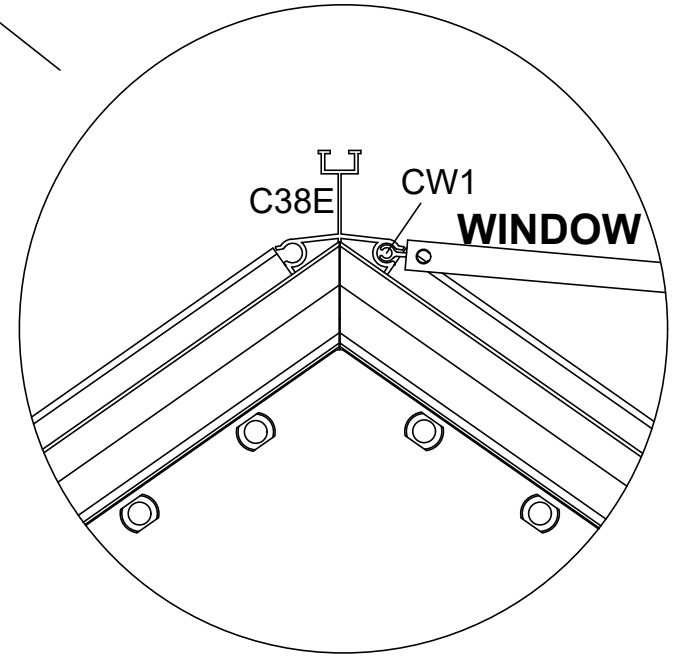
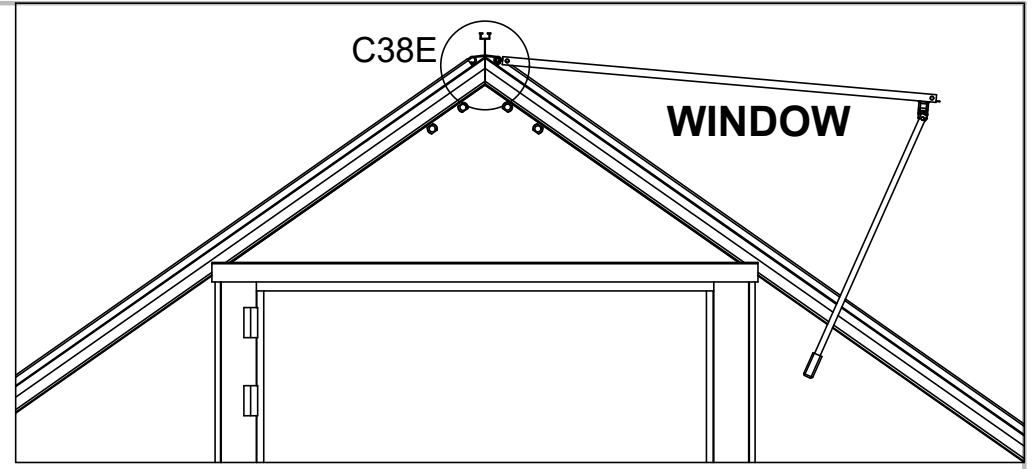
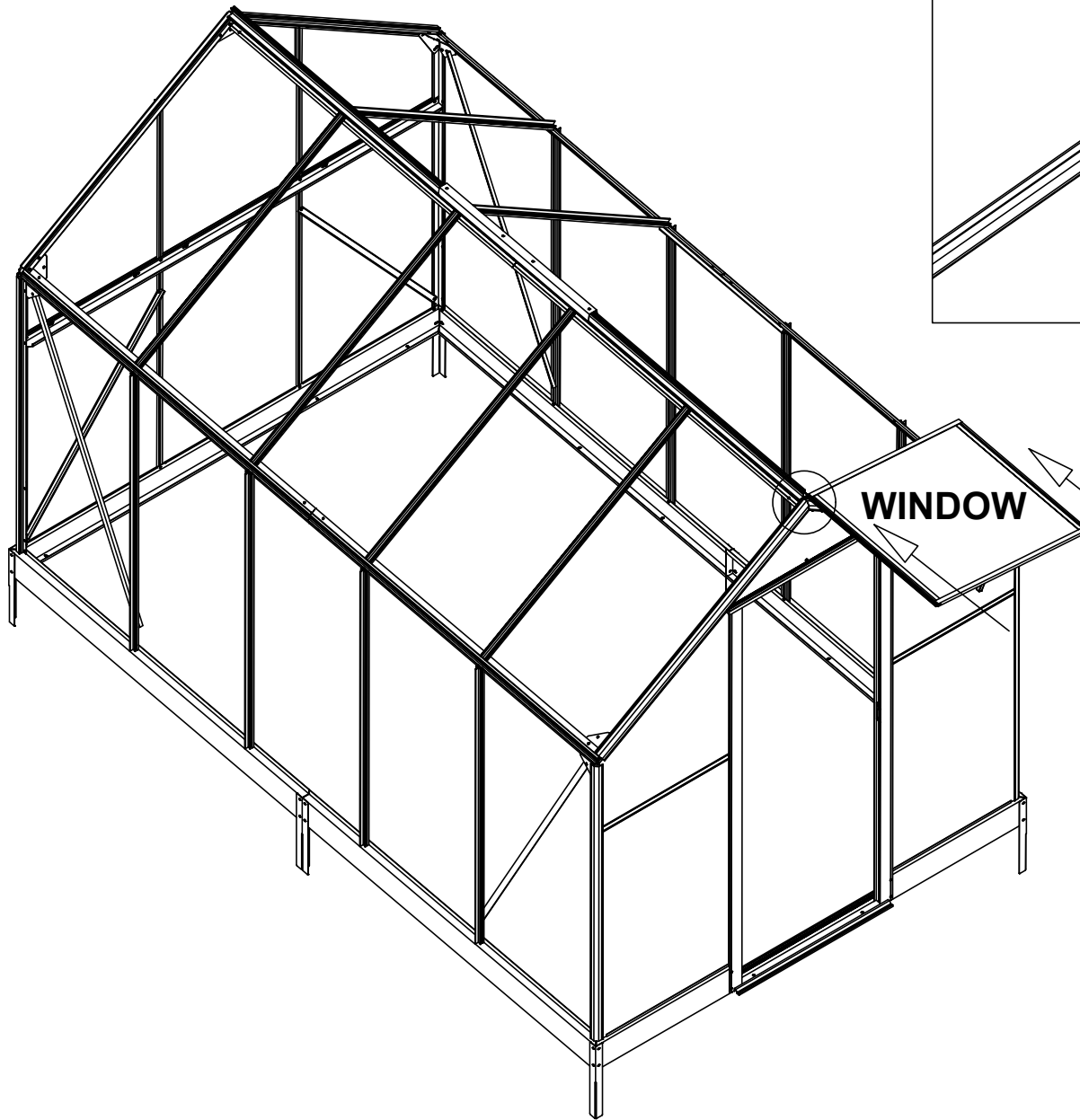


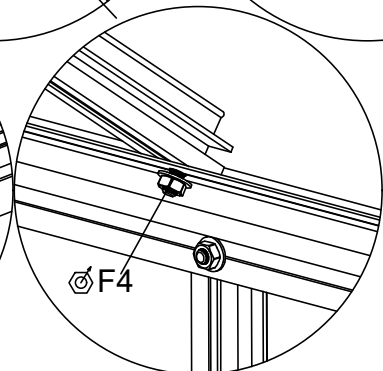
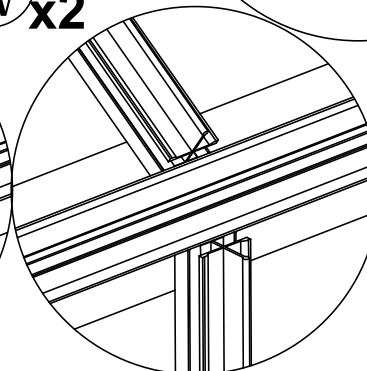
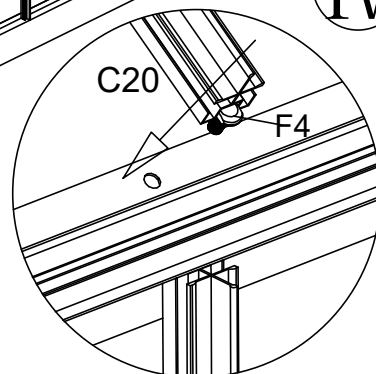
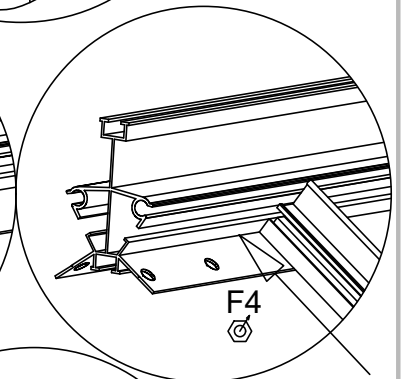
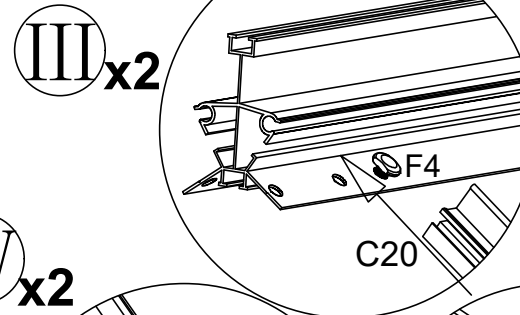
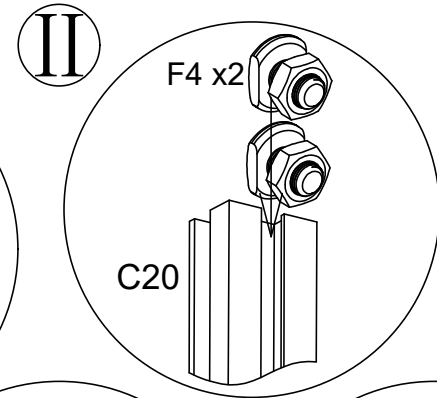
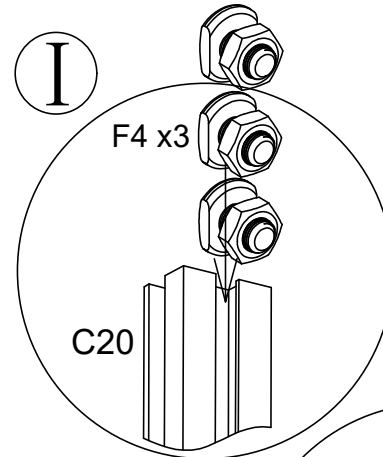
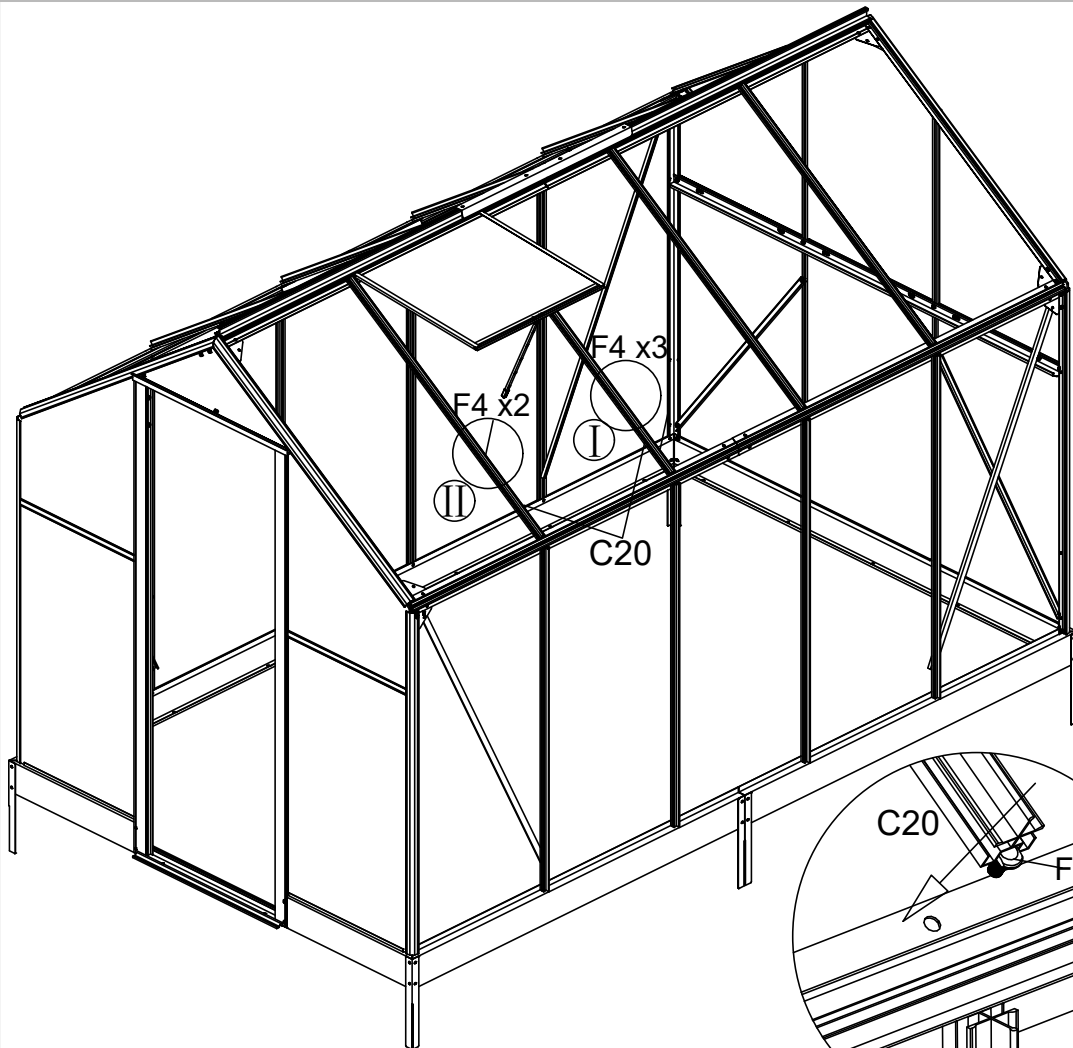
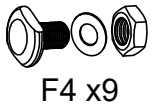
II x6

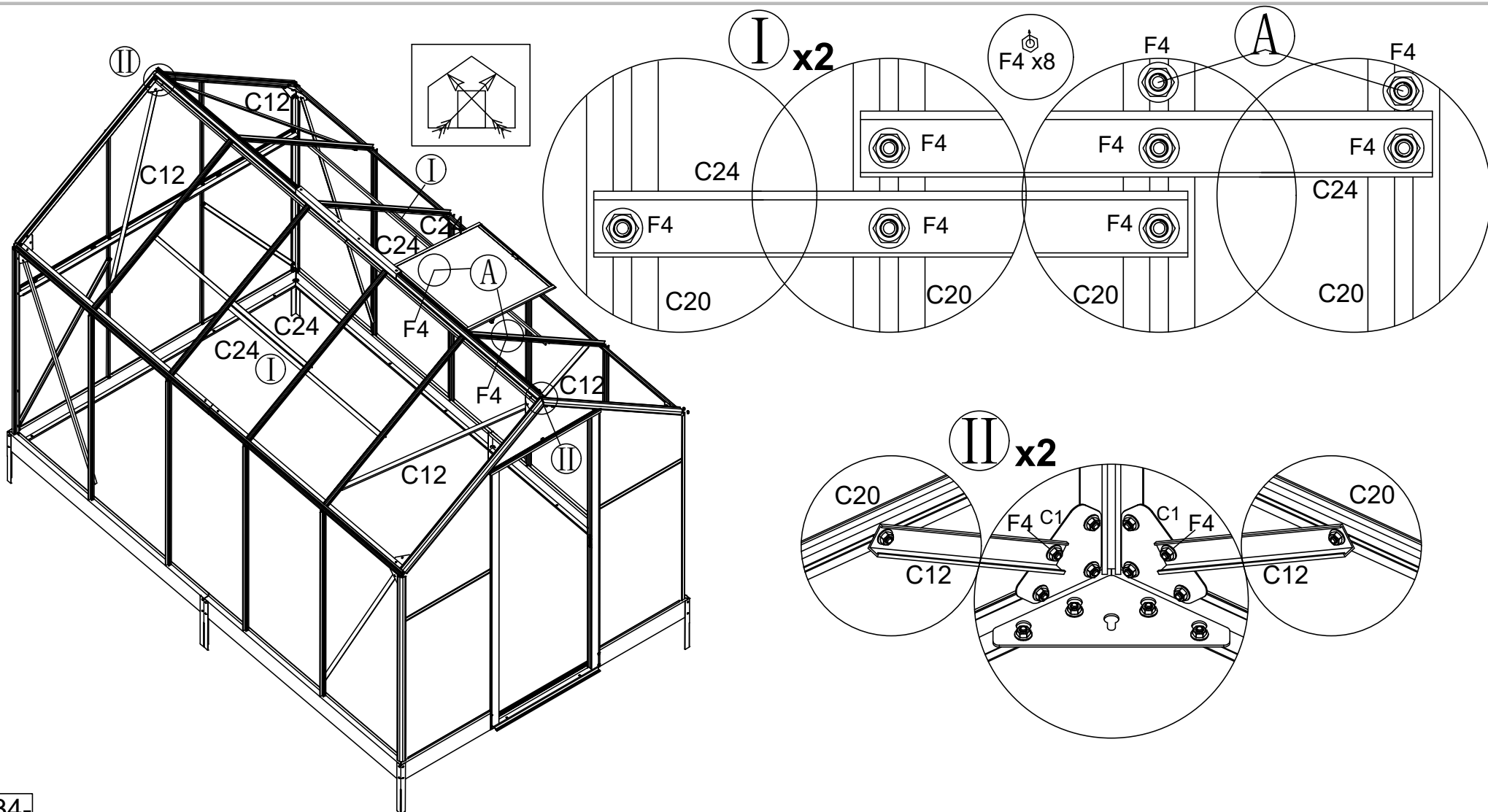
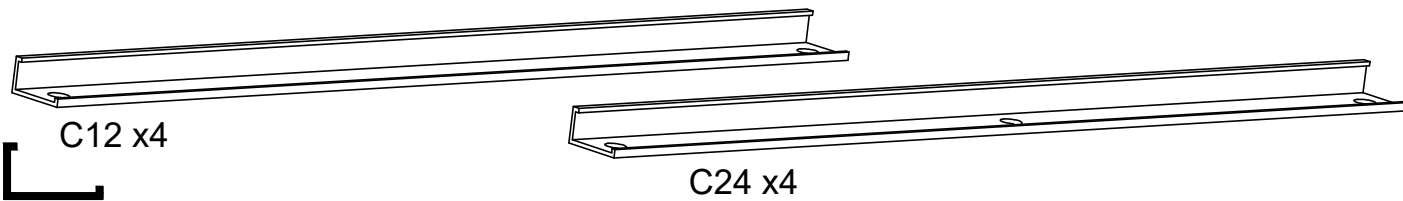


III x6



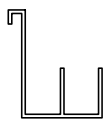




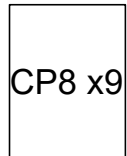




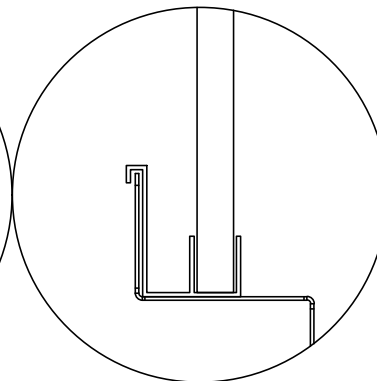
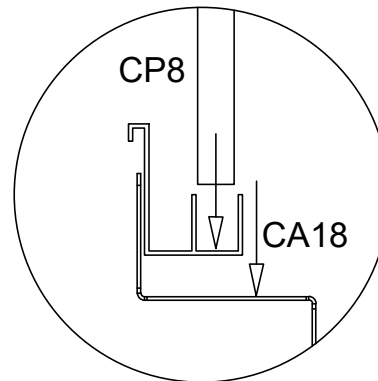
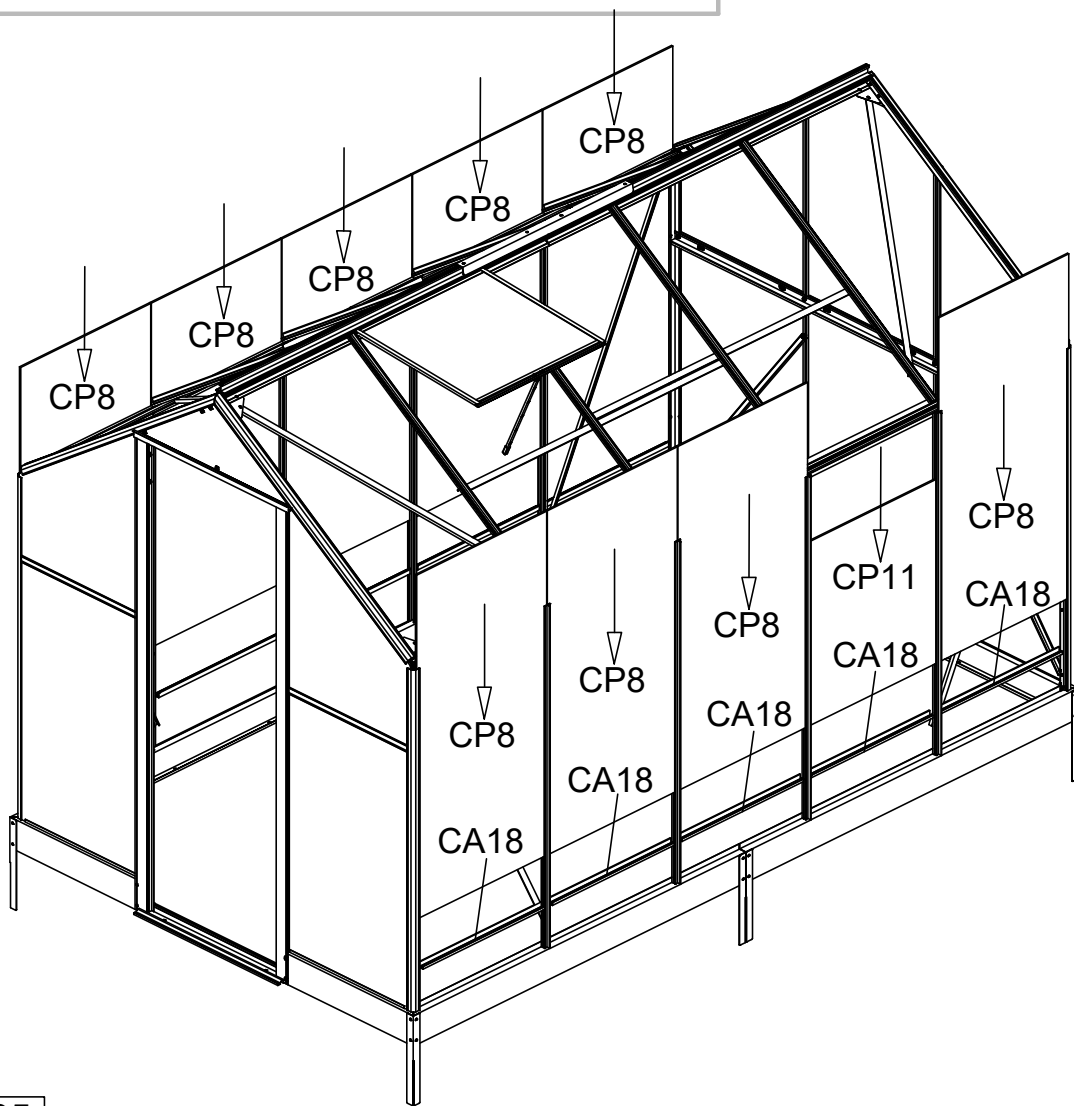
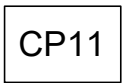
CA18 x10

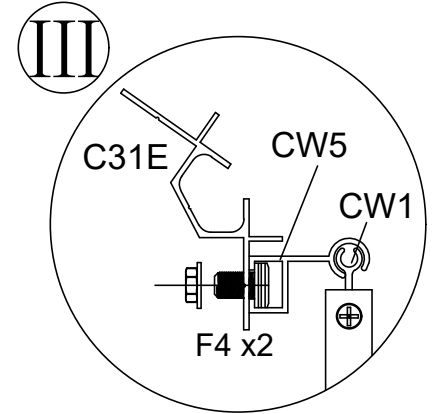
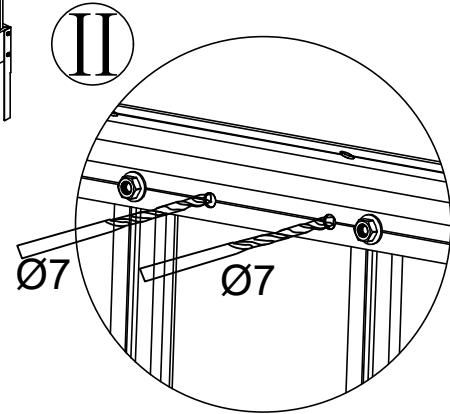
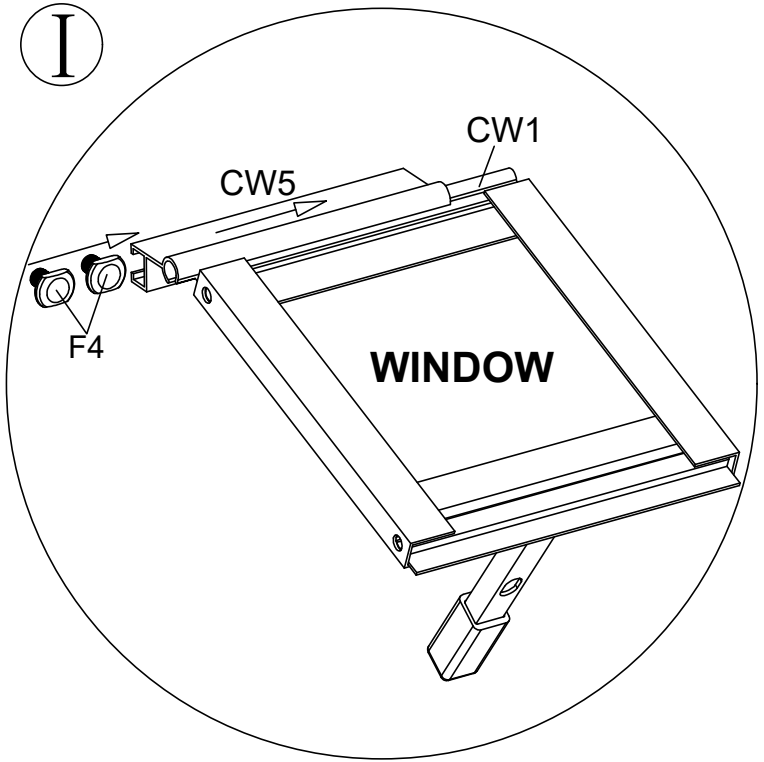
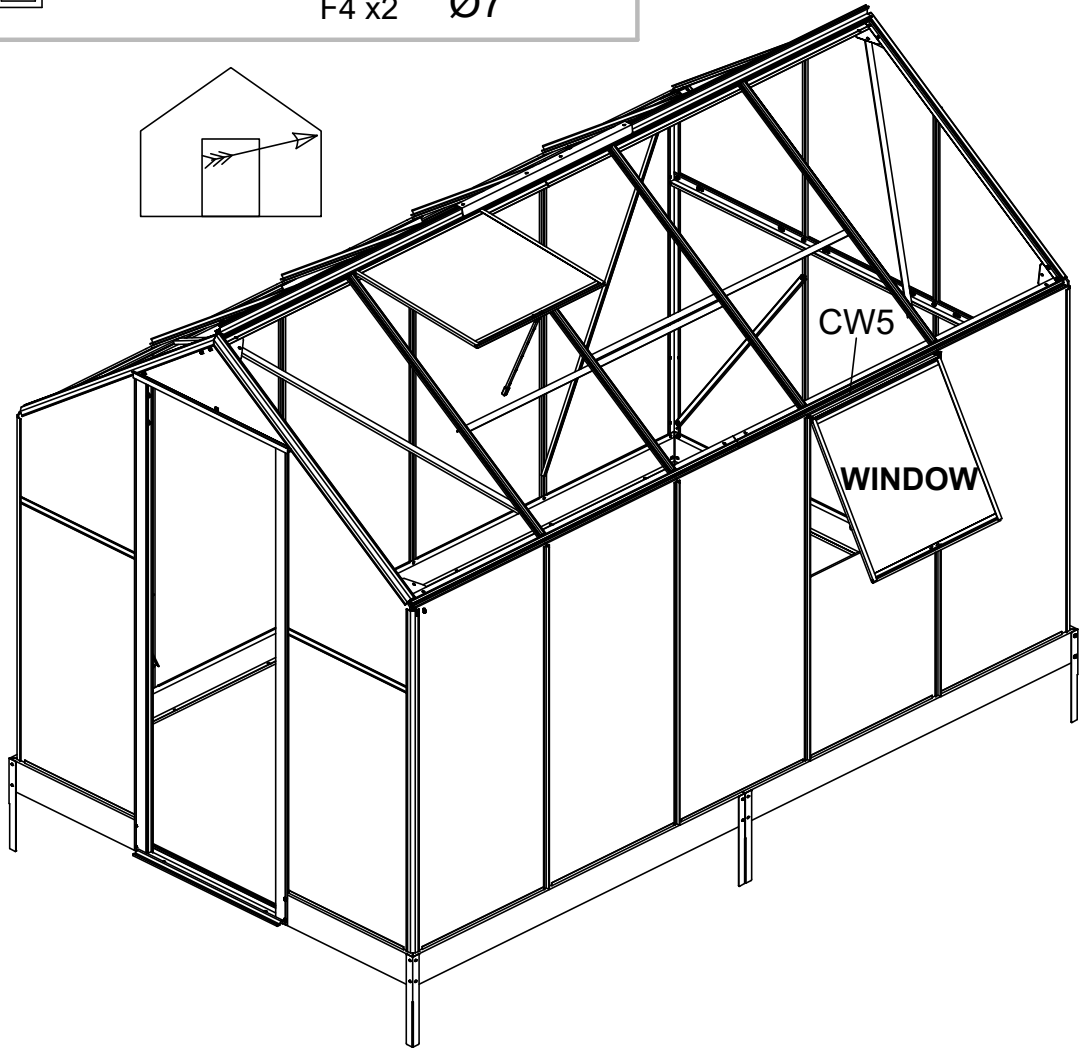
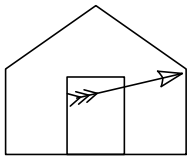
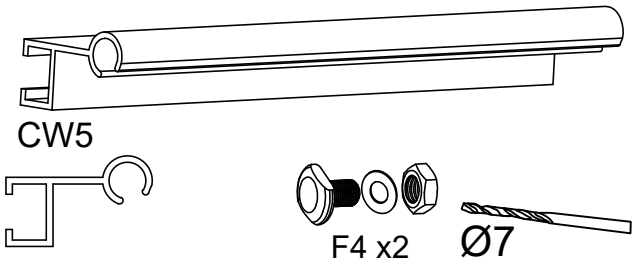


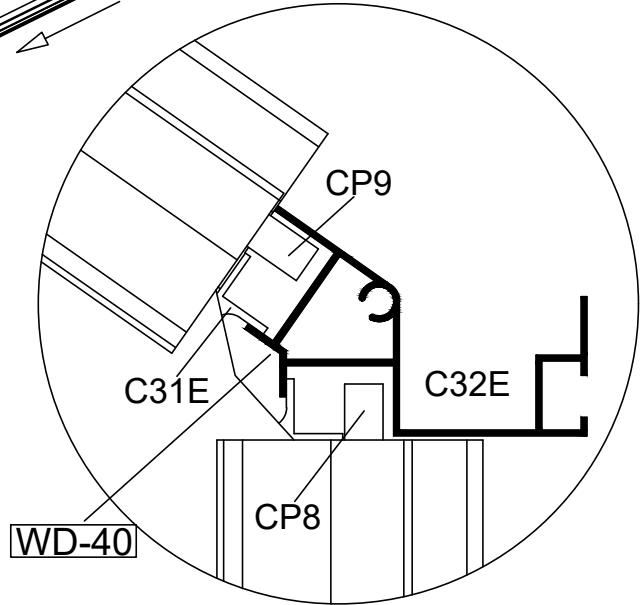
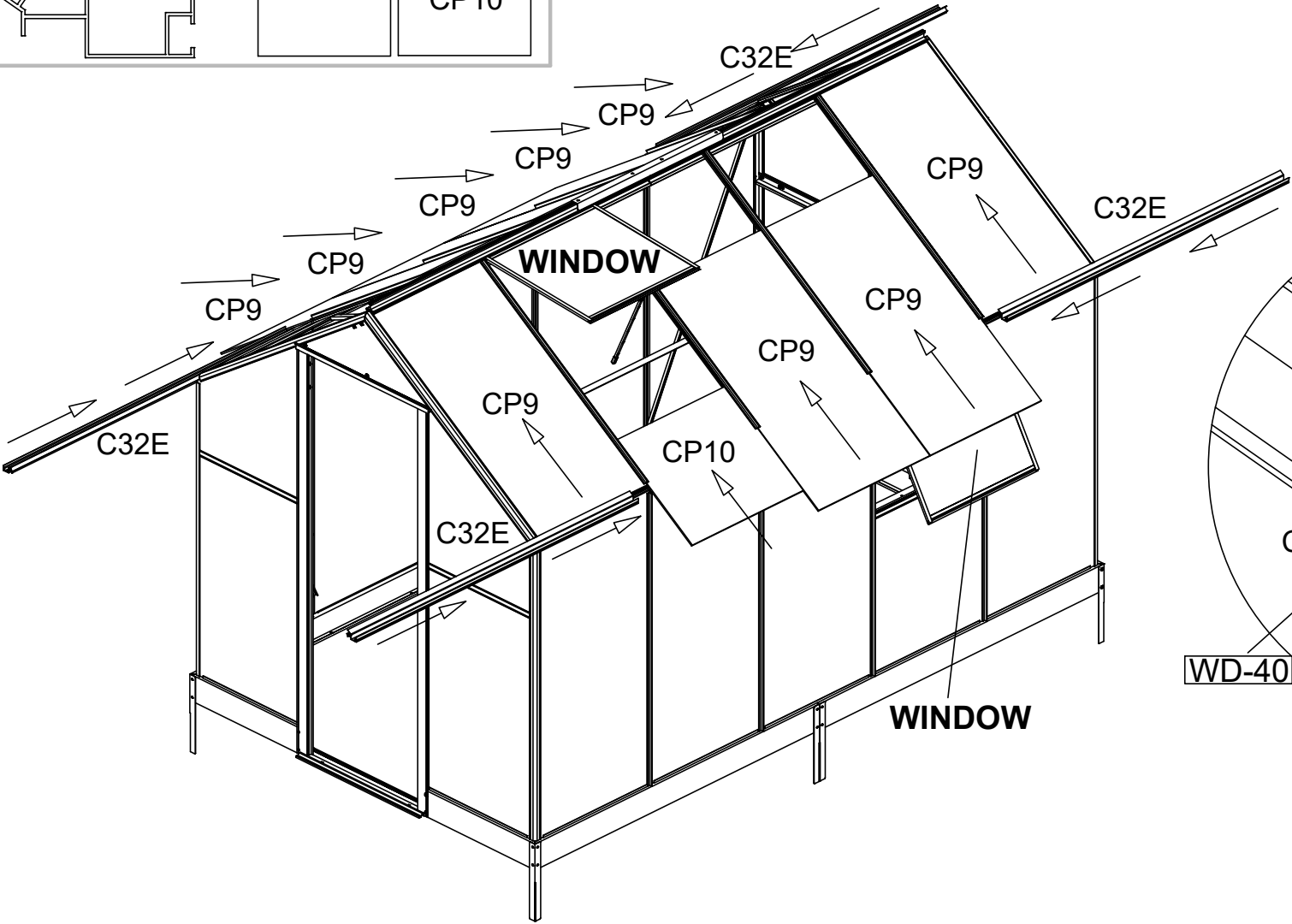
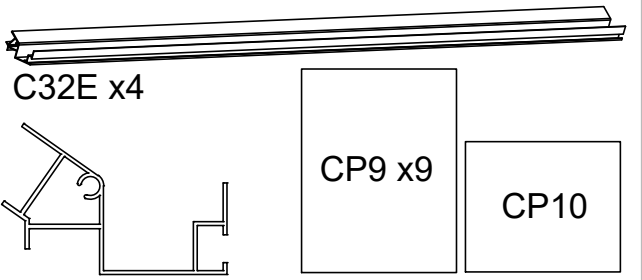
CP8 x9

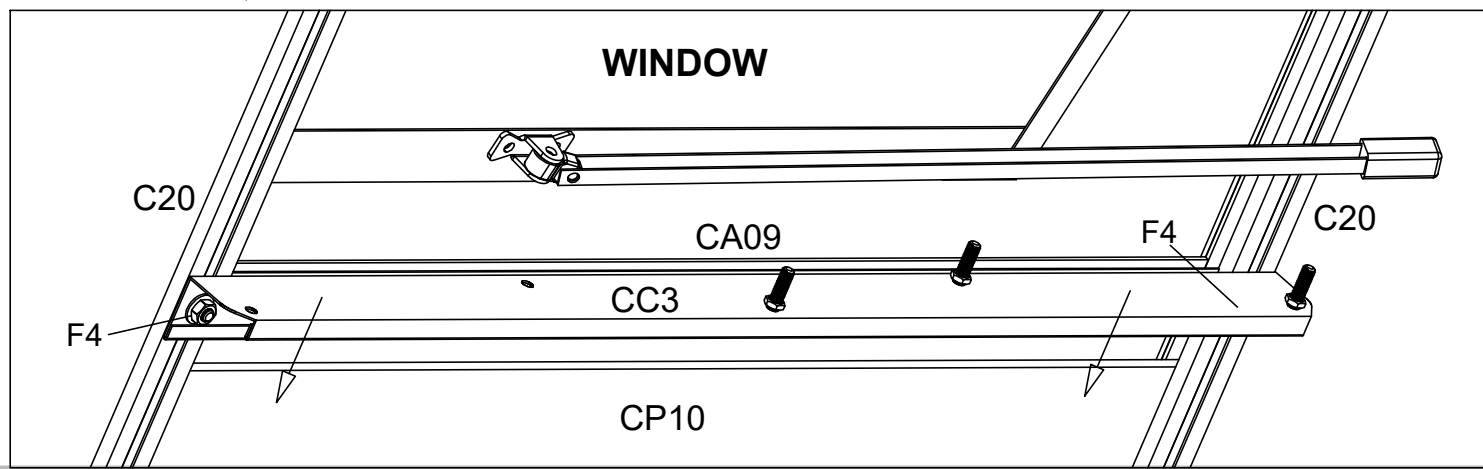
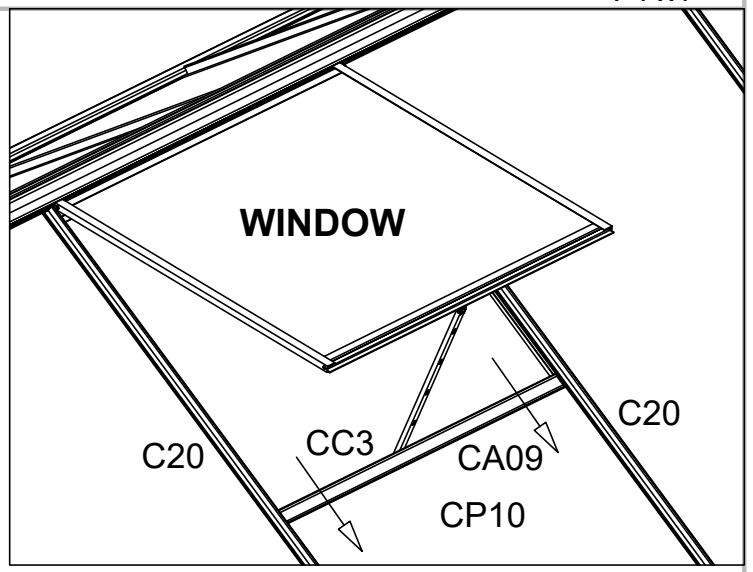
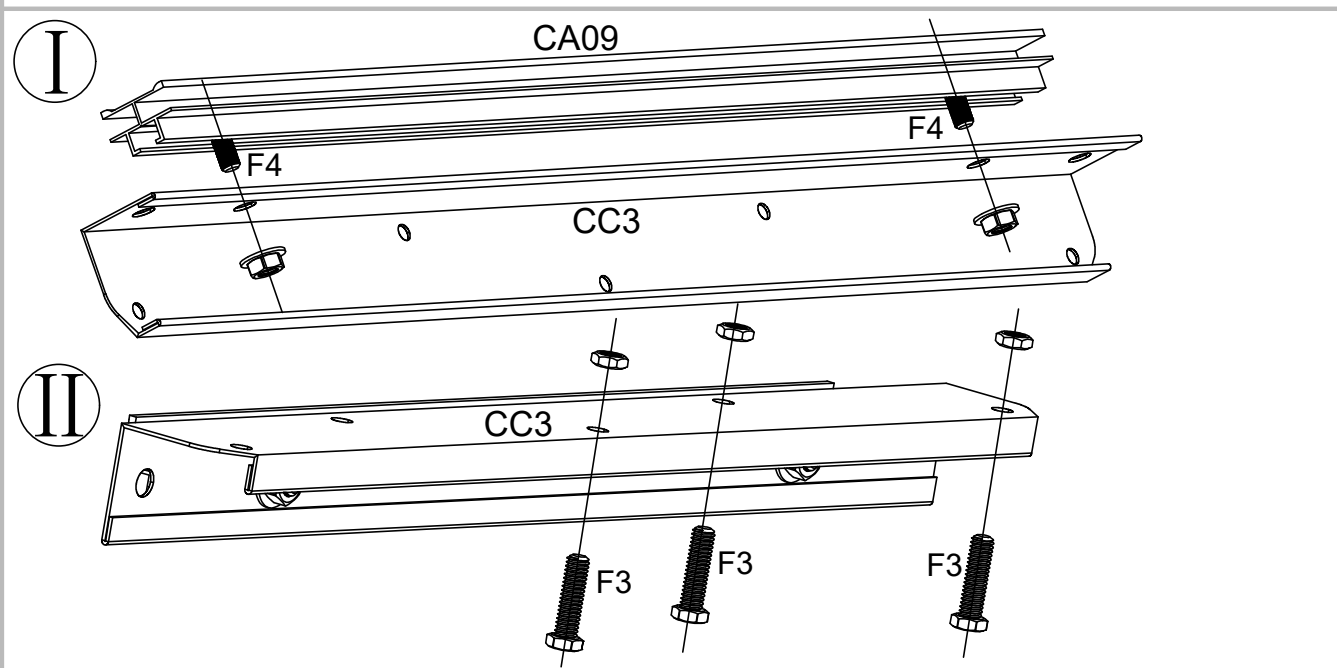
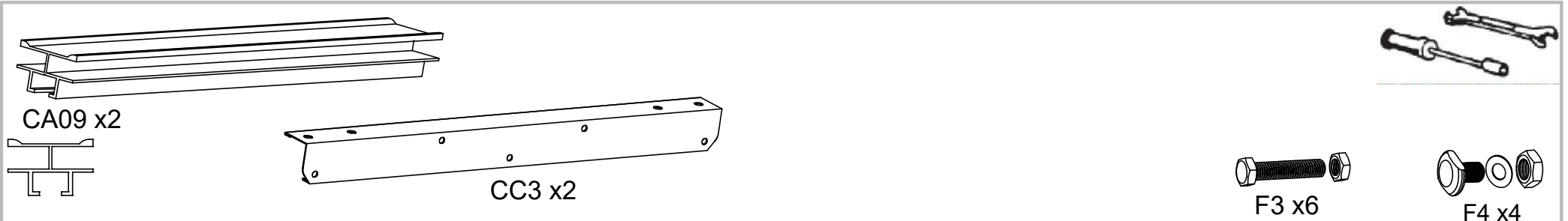


CP11

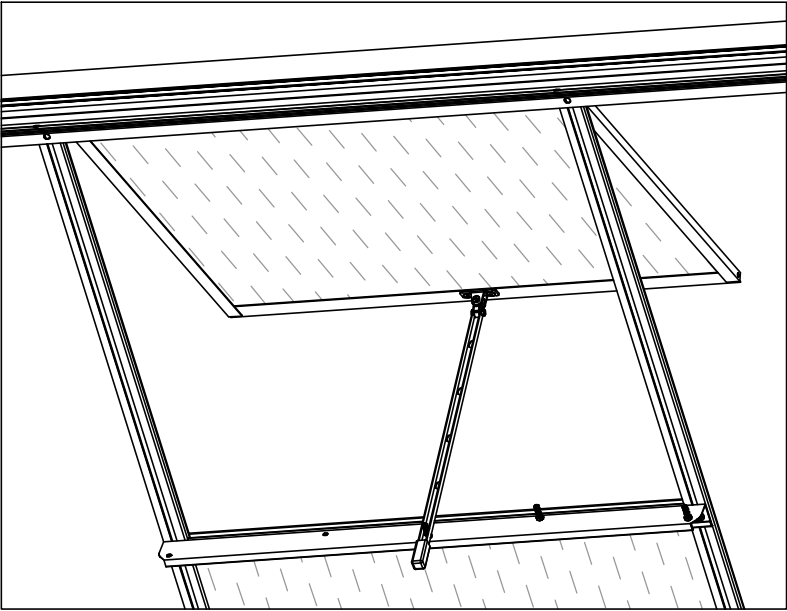




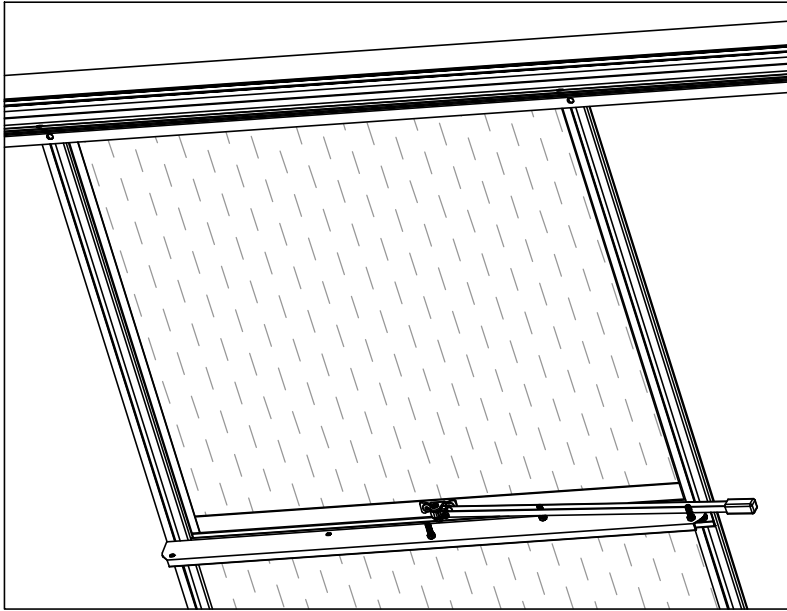




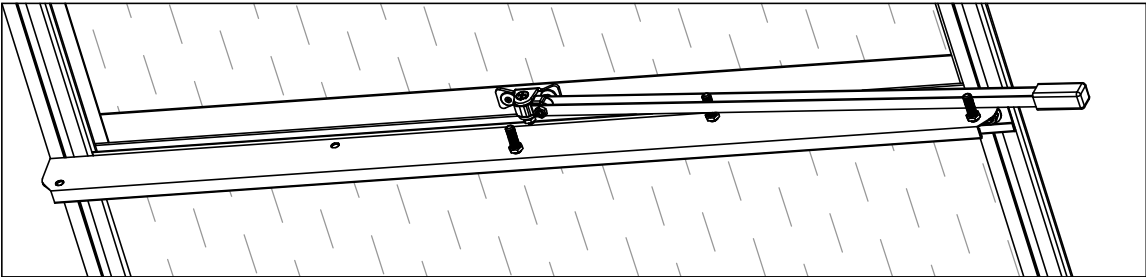
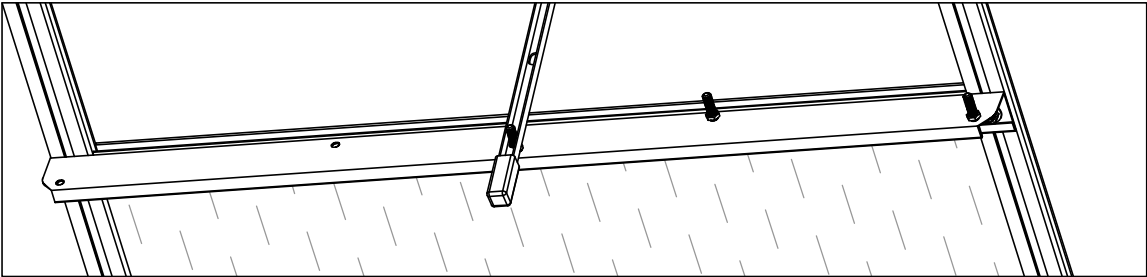
Note the use of the window

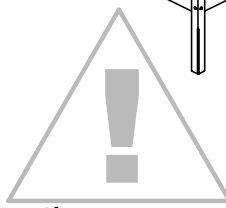
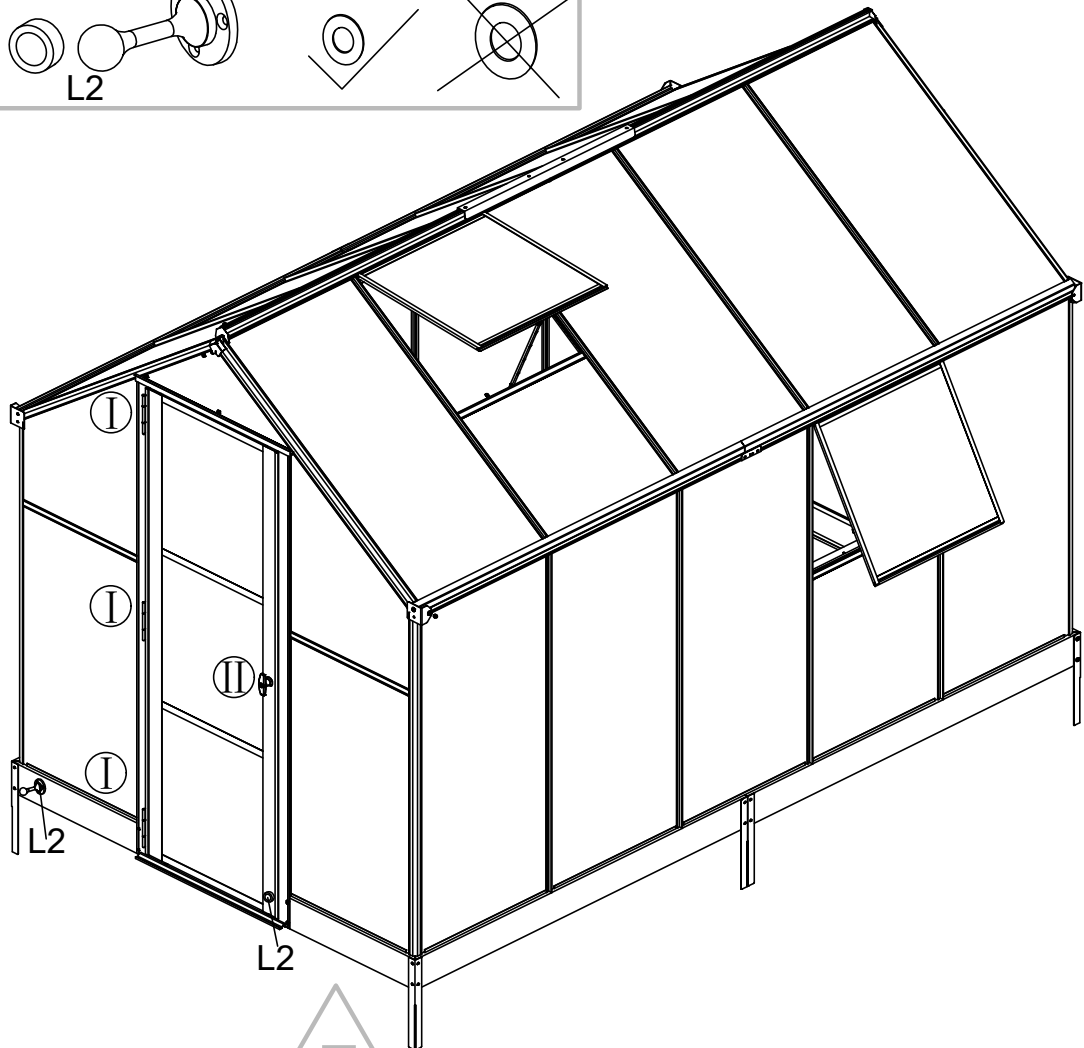
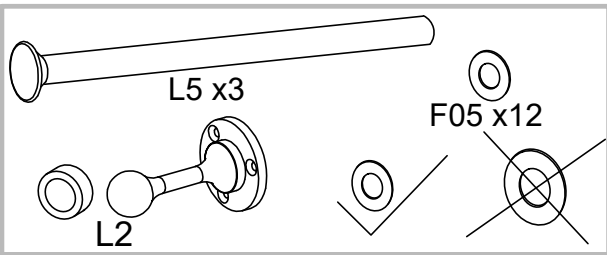


OPEN

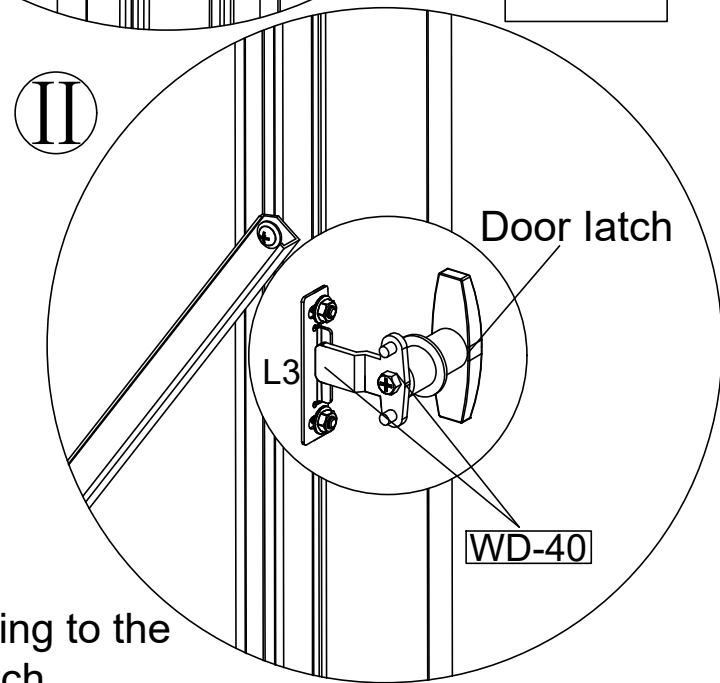
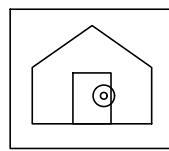
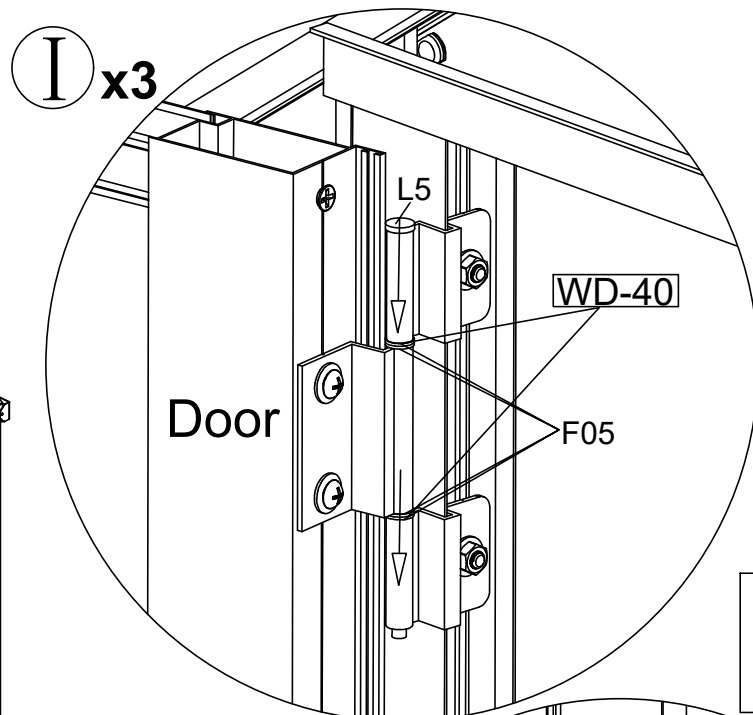


CLOSE

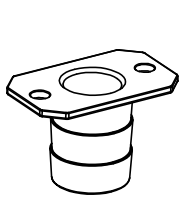




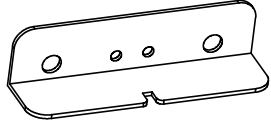
Determine the appropriate location before installing the door touch L2.



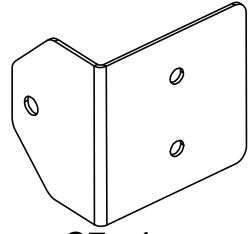
Adjust L3 according to the position of the latch.



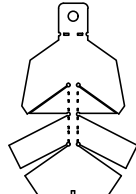
GS x4



C11 x2



C7 x4



C8 x2



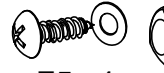
F4-2 x4



Silicon



F8 x8

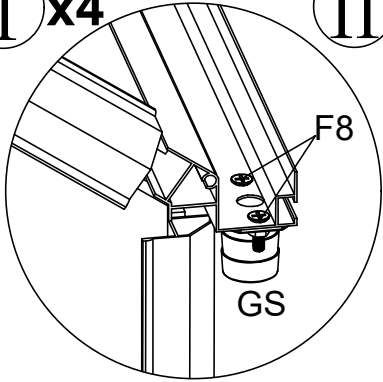


F5 x4

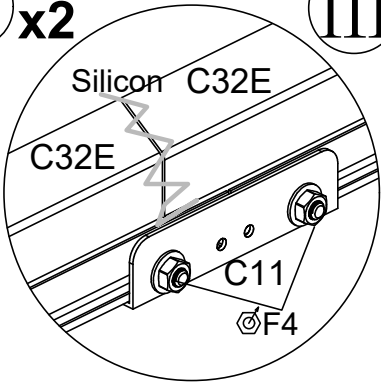


F4 x10

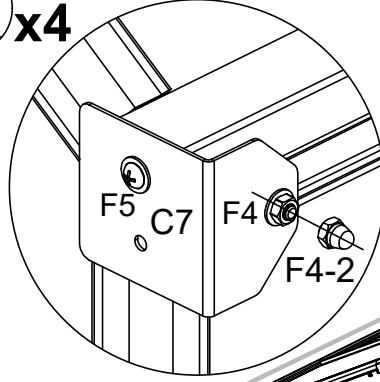
I x4



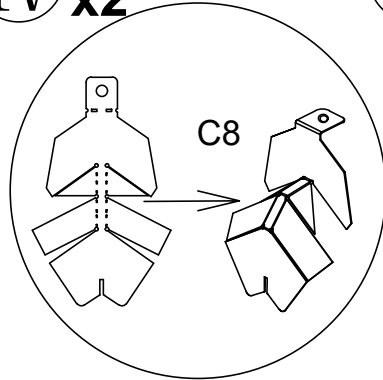
II x2



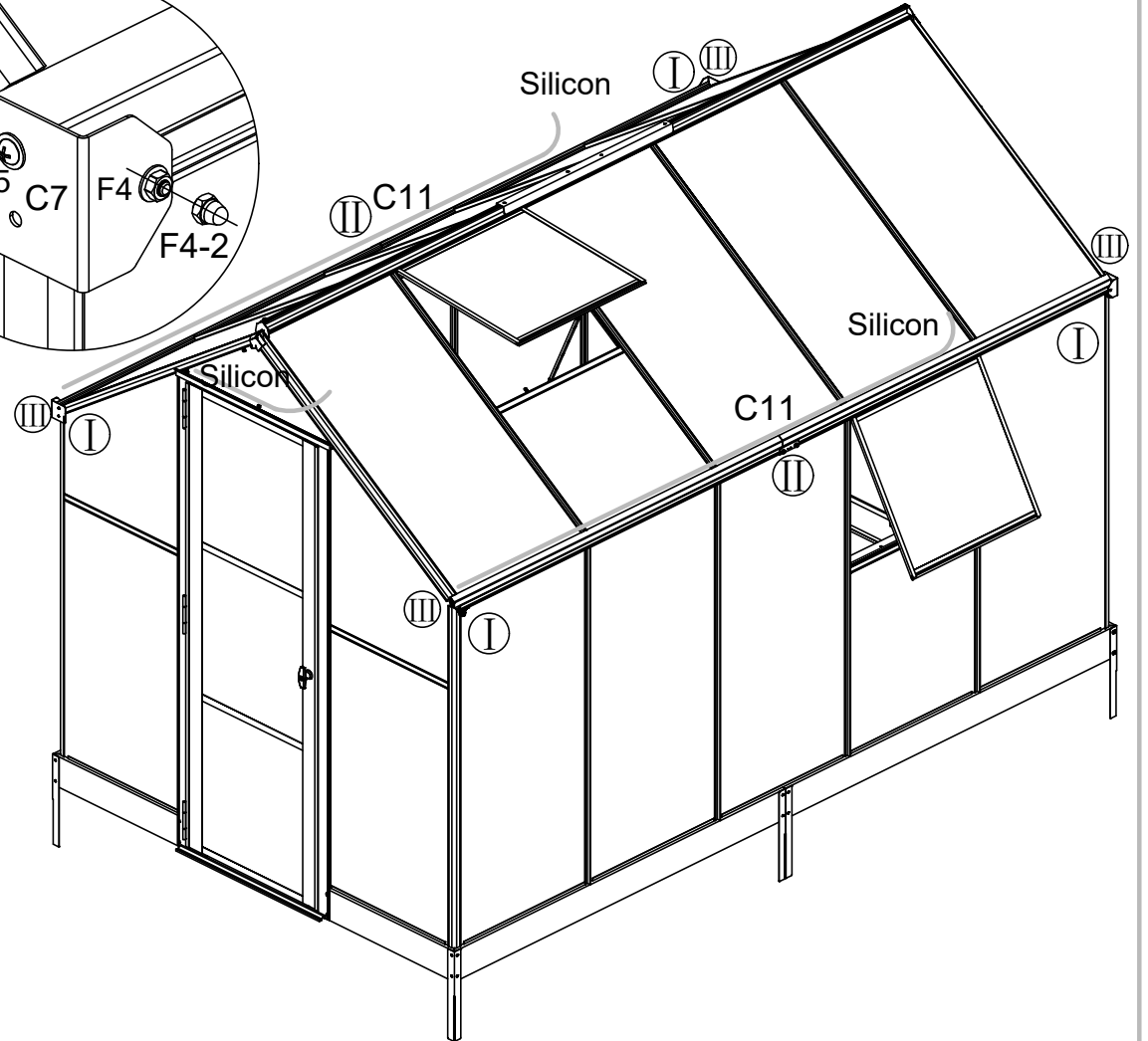
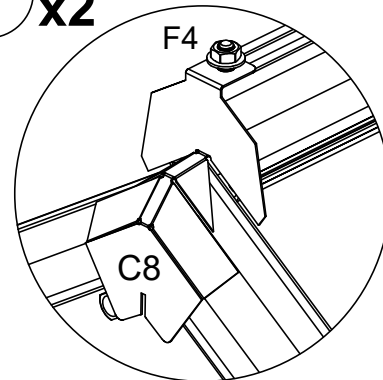
III x4



IV x2



V x2



DANCOVER[®]

.com

Contact information

Head office:

Dancover A/S
Nordre Strandvej 119 G
3150 Hellebæk
Denmark

For more information
please visit:
www.dancovershop.com

National contact

Denmark: 70 26 76 20
denmark@dancover.com

UK: 020 8099 7570
uk@dancover.com

Germany: 041 0266 7040
germany@dancover.com

France: 0975 181 800
france@dancover.com

Sweden: 040 233 262
sverige@dancover.com

Finland: 0 931 581 720
suomi@dancover.com

Poland: 22 300 8602
polska@dancover.com

Luxembourg: +49 041 0266 7040
luxembourg@dancover.com

Portugal: 308 800 899
portugal@dancover.com

Spain: 911 436 828
espana@dancover.com

Italy: 02 479 21 198
italia@dancover.com

Switzerland: 0840 000125
schweiz@dancover.com

Austria: 0662 626935
austria@dancover.com

Norway: 231 00 690
norge@dancover.com

Nederland: 0 858 880 524
nederland@dancover.com

Ireland: 0 151 33 003
ireland@dancover.com

Belgium: 0 28 08 08 09
belgique@dancover.com