

DANCOVER[®]

.com

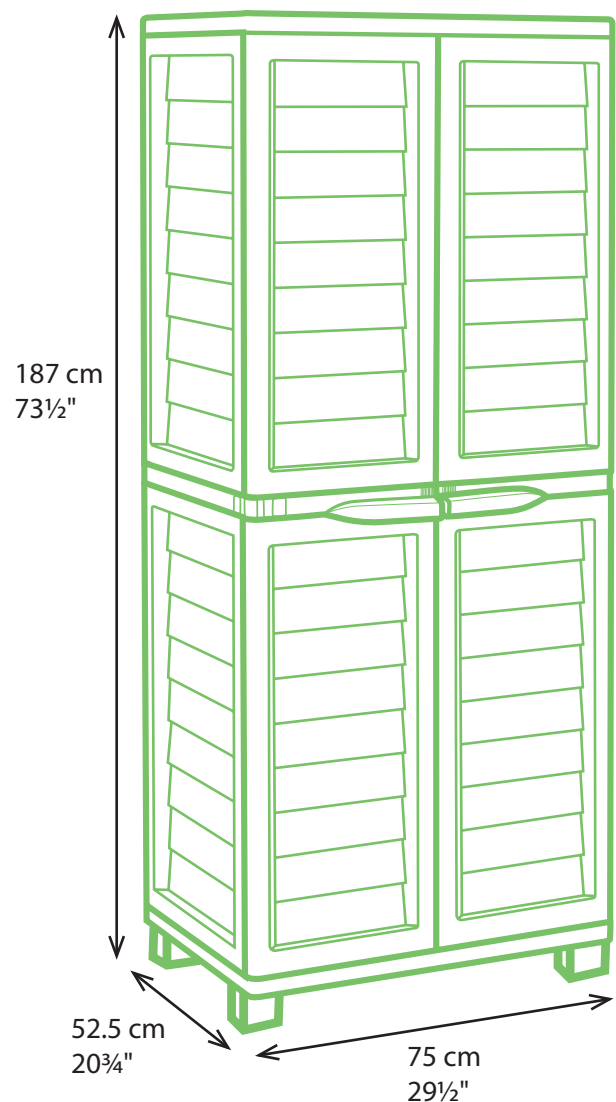
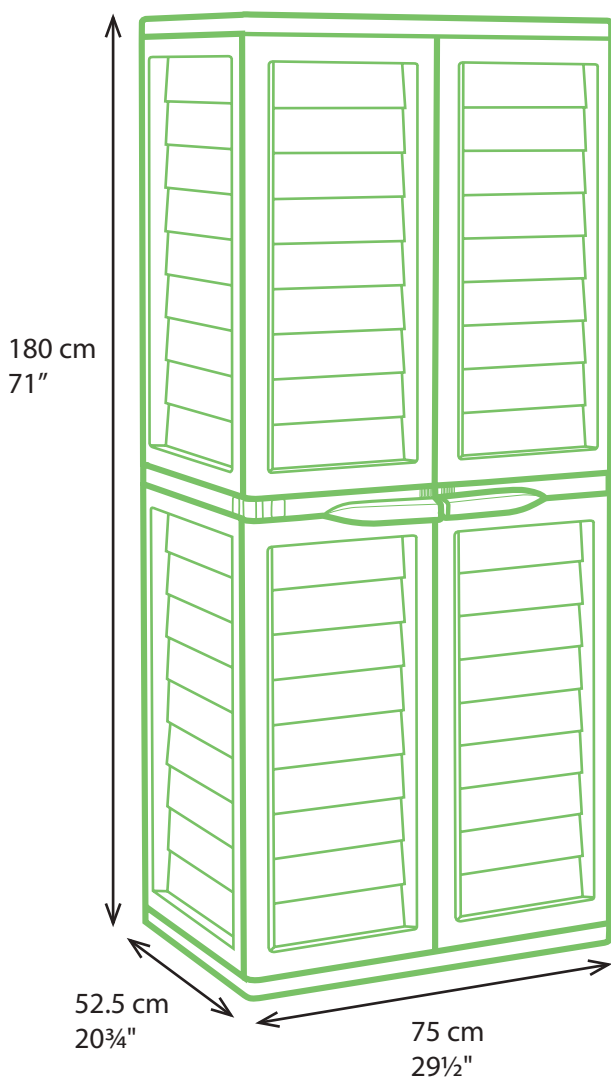
Manual
for
Garden Storage Box w/Shelves
75x52,5x187cm

Wide Utility Cabinet

- DE **Universal-schrank**
- FR **Remise Large**
- ES **Extenso armario multiuso**
- NL **Brede praktische**

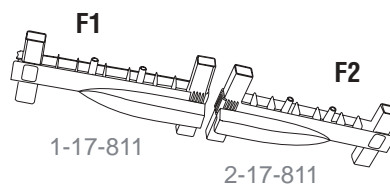
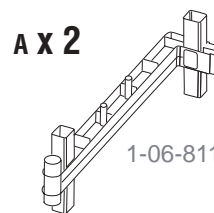
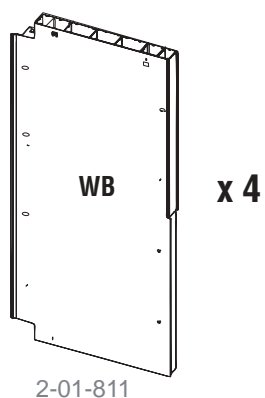
Regular : version A p. 2-8

With Feet : version B p. 9-14

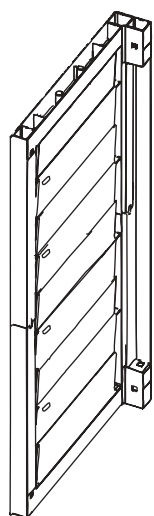


**READ CAREFULLY
BEFORE STARTING
ASSEMBLING!**

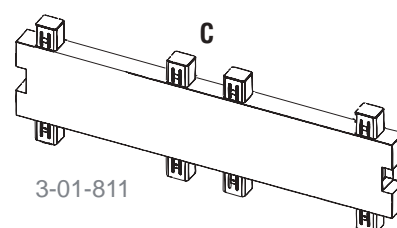
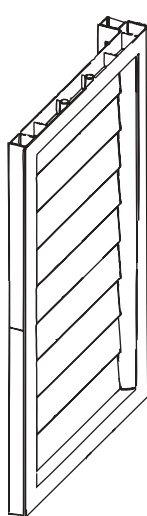
Parts:



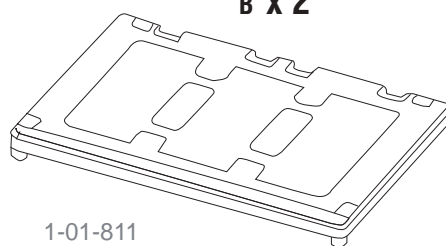
WL x 2



WR x 2



B x 2



1-02-811

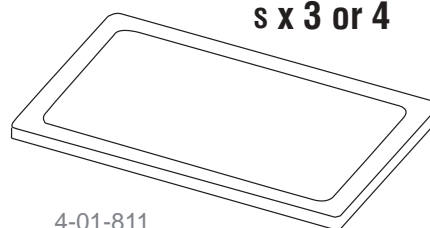
2-02-811

E x 26 or 28

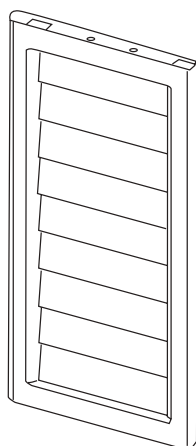


8-01-811

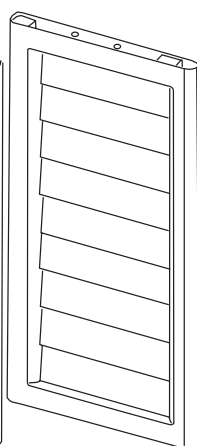
s x 3 or 4



DLX 2



DRX 2

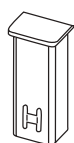


G x 12 or 16



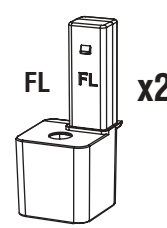
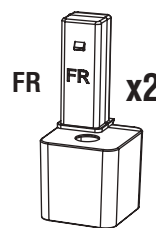
7-01-811

H x 16

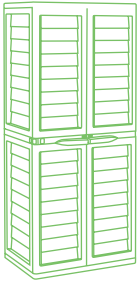


6-01-811

With Feet: version B (page 9-14)



Regular version A: p. 3-8 With feet version B: p. 9-14

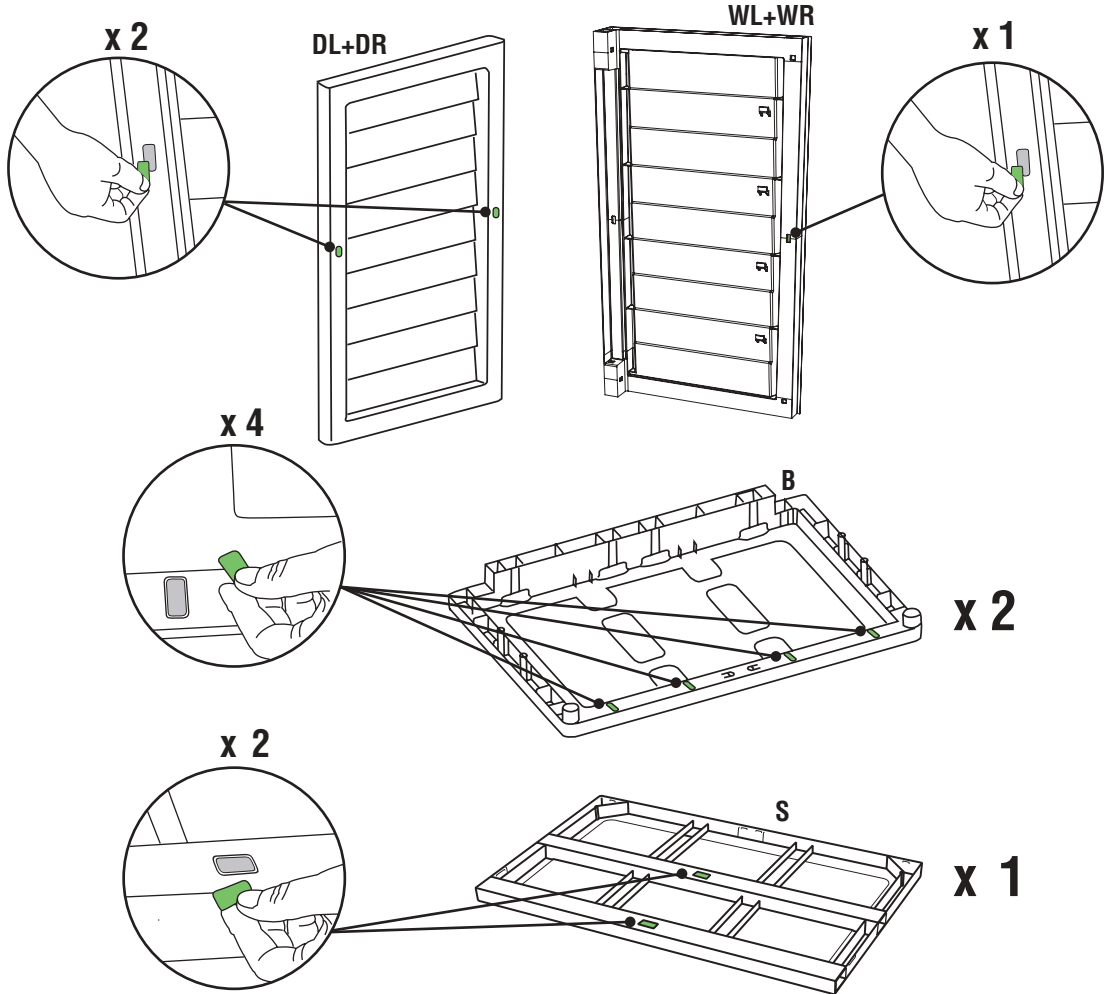


Regular - version A

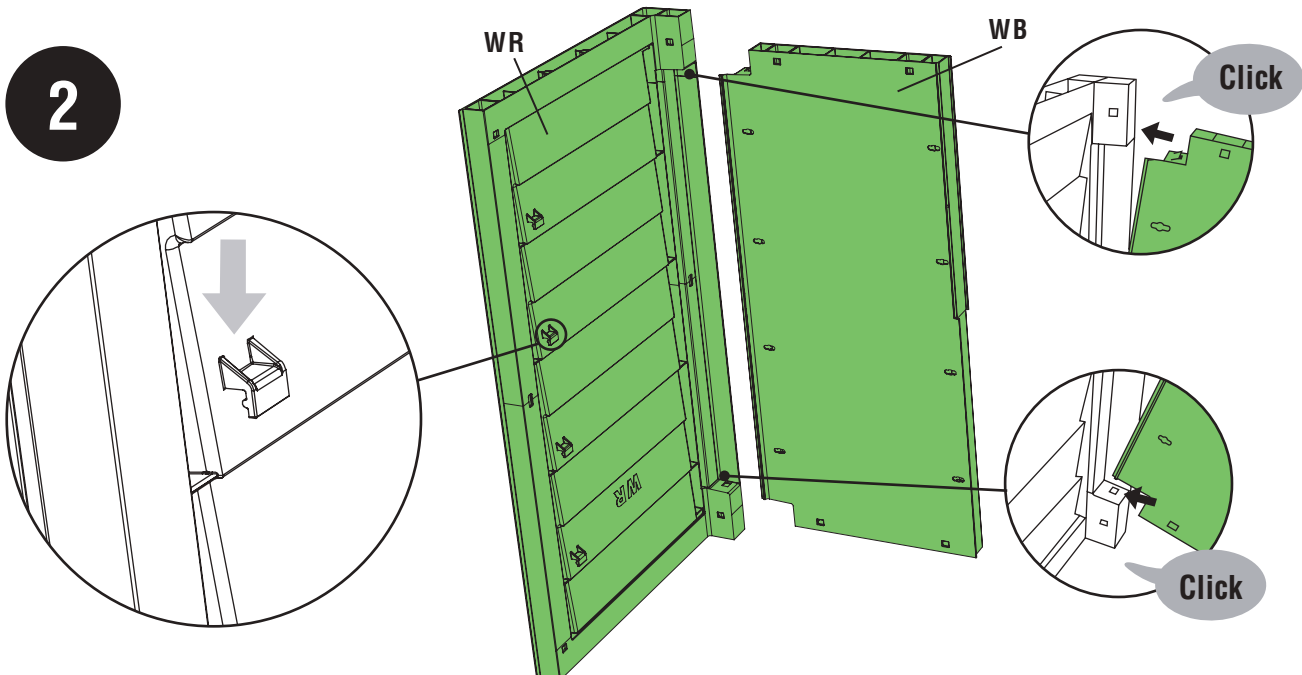
1

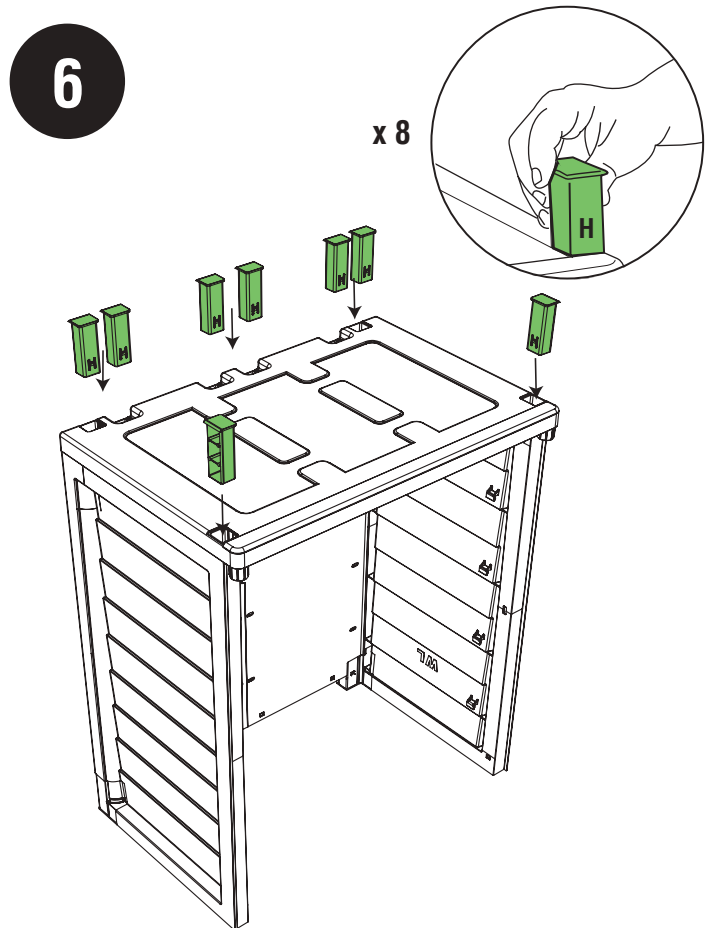
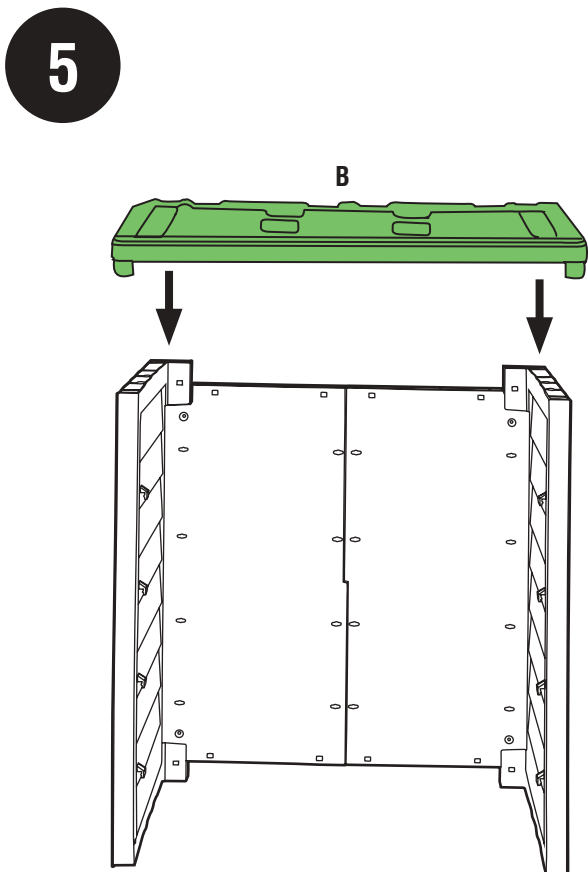
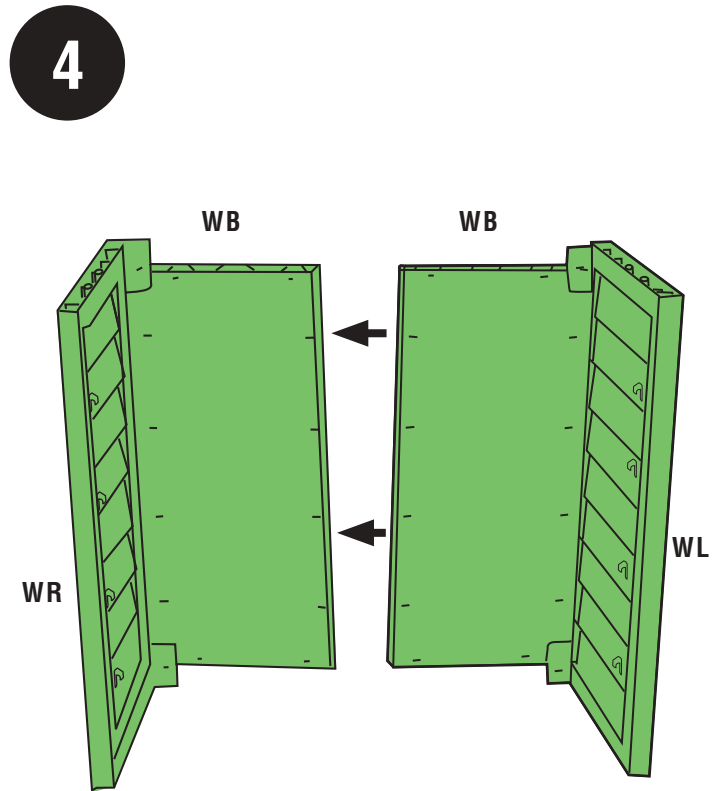
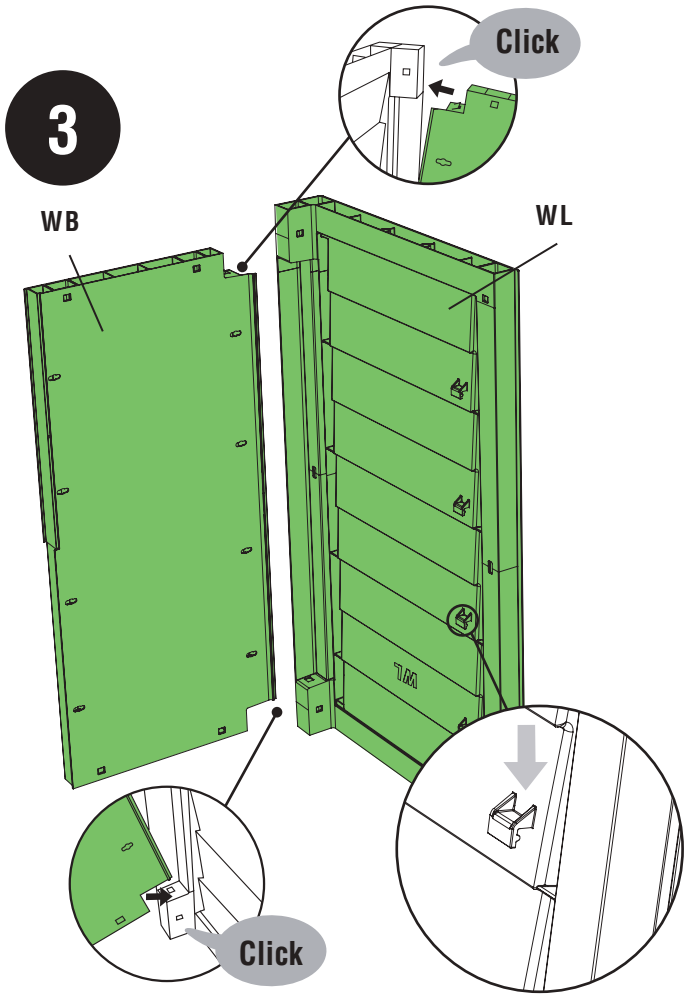


x 26 or 28

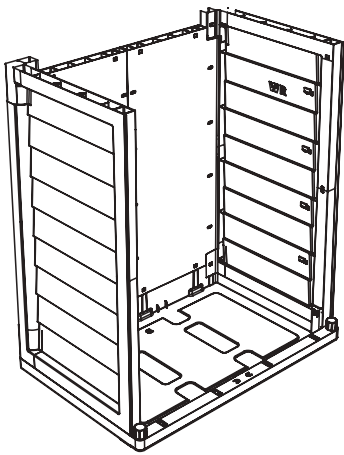
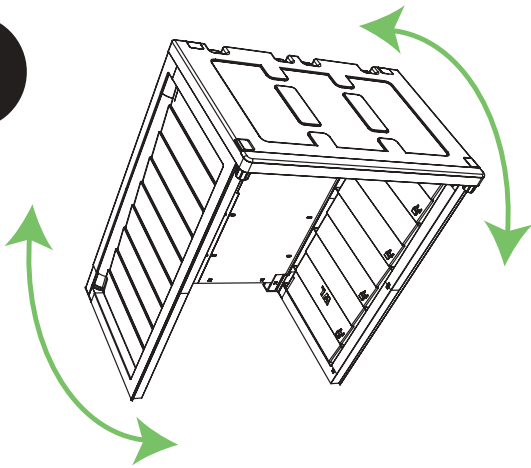


2

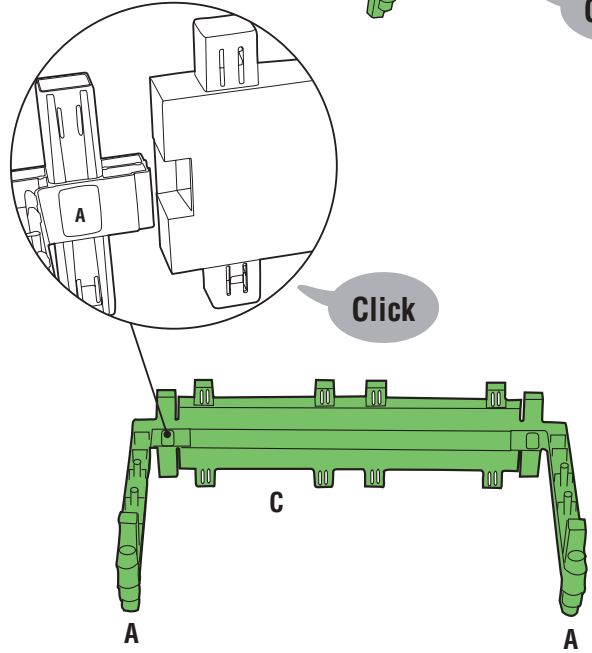
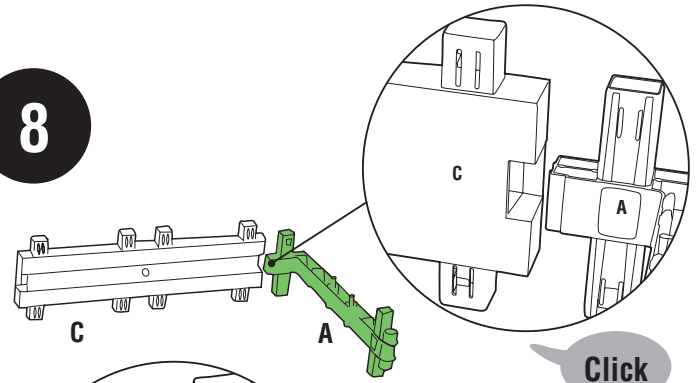




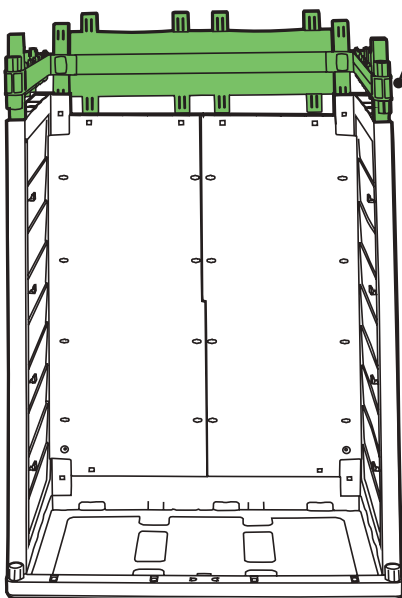
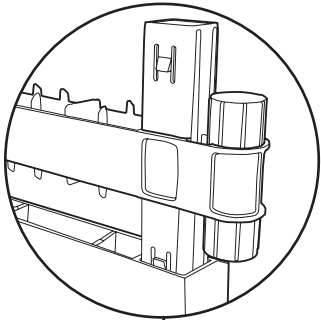
7



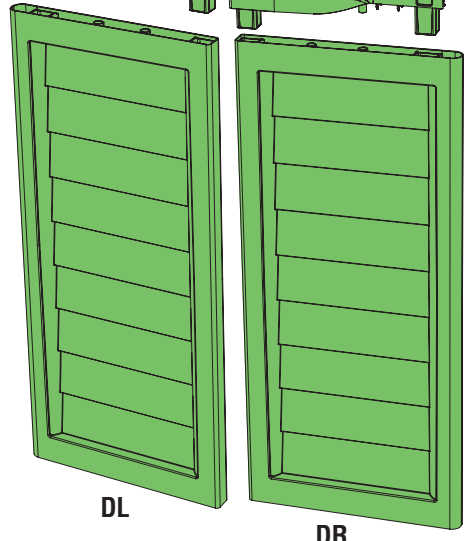
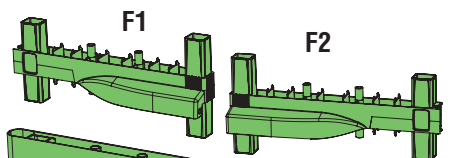
8



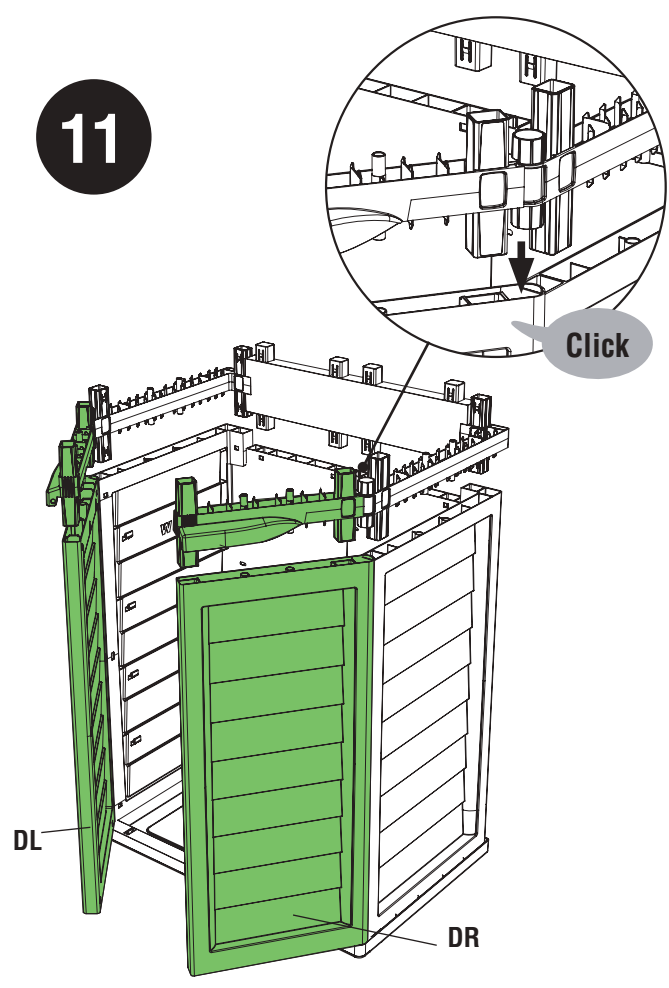
9



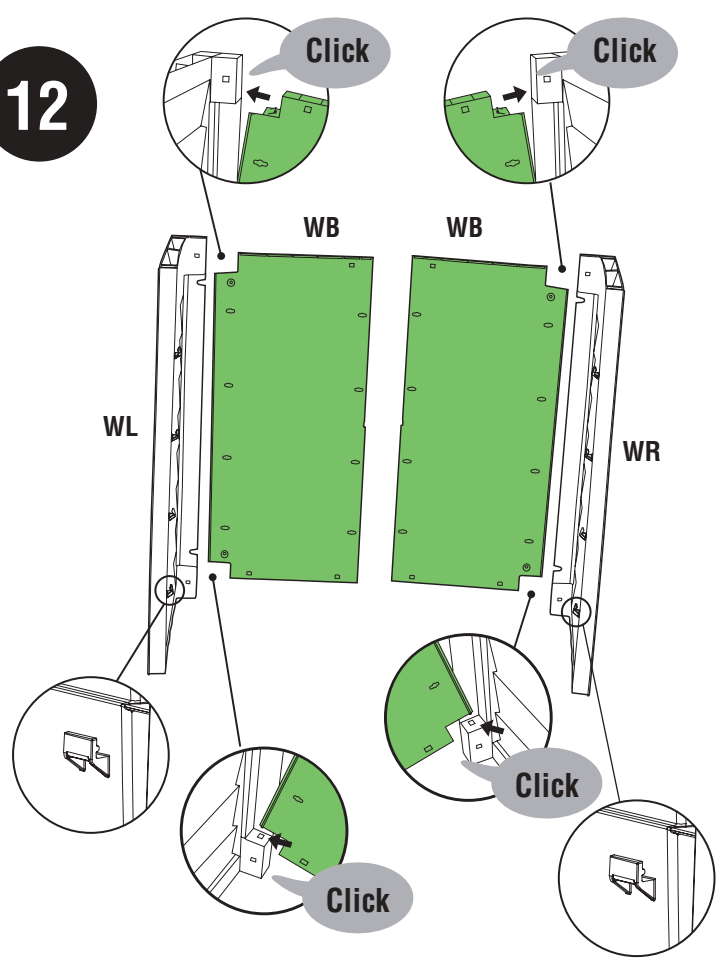
10



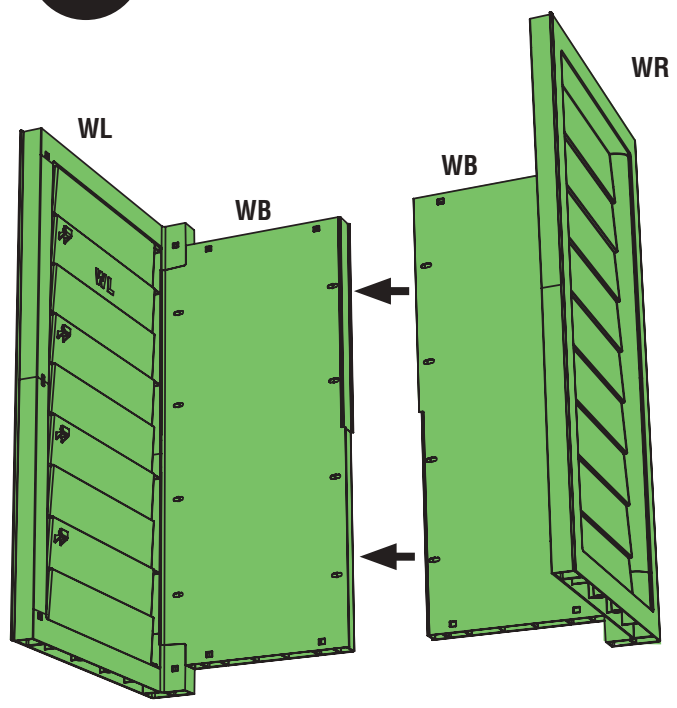
11



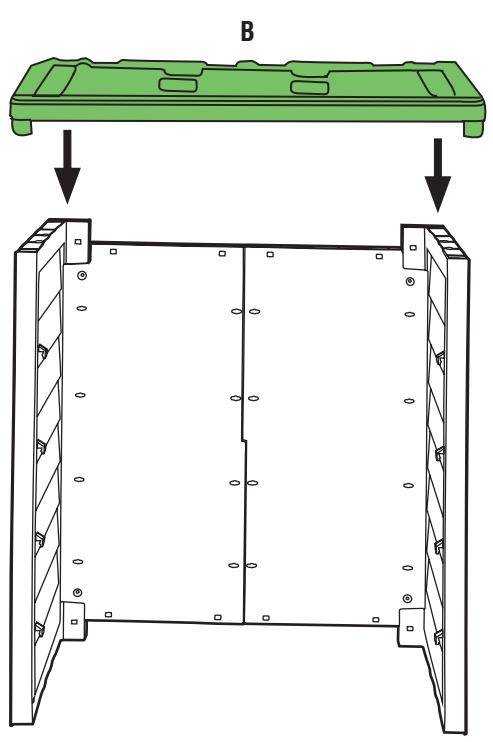
12



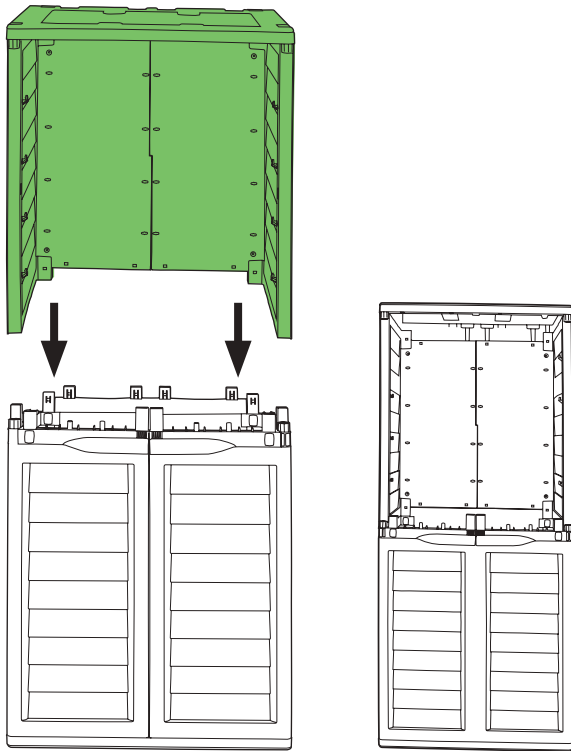
13



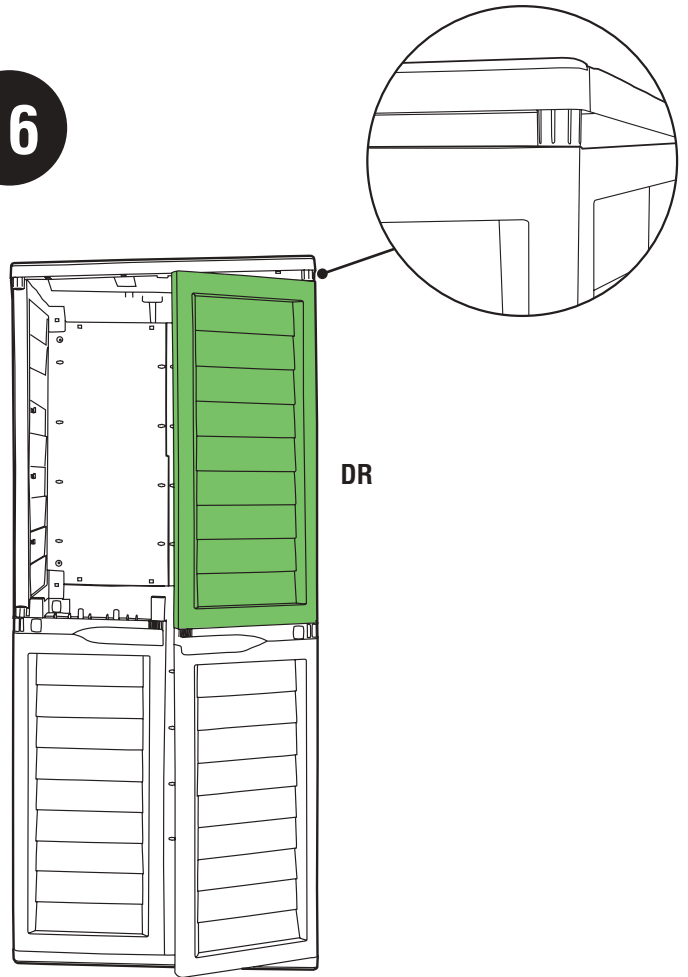
14



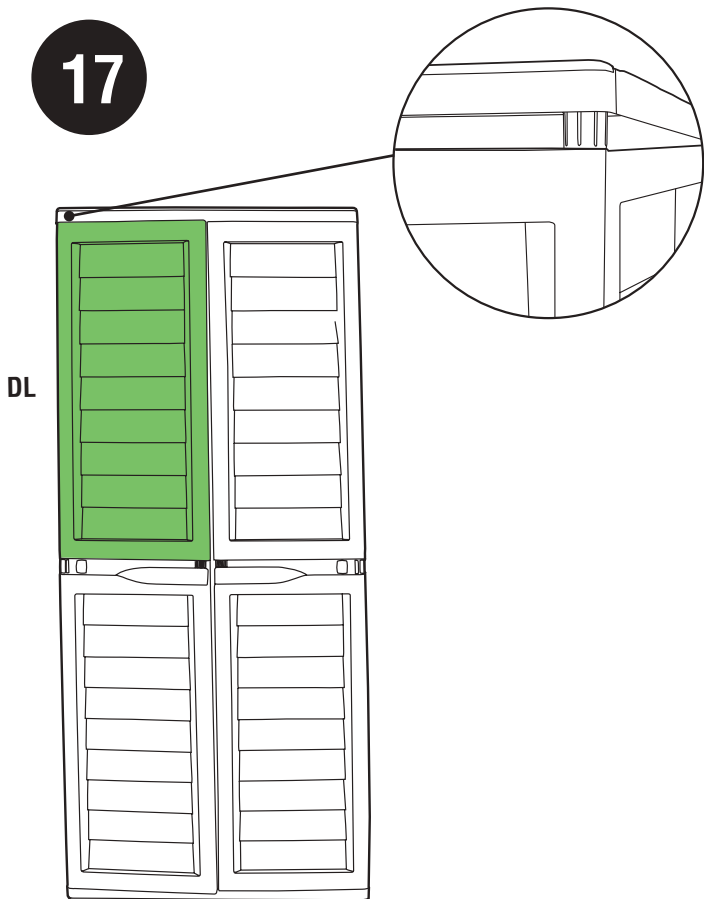
15



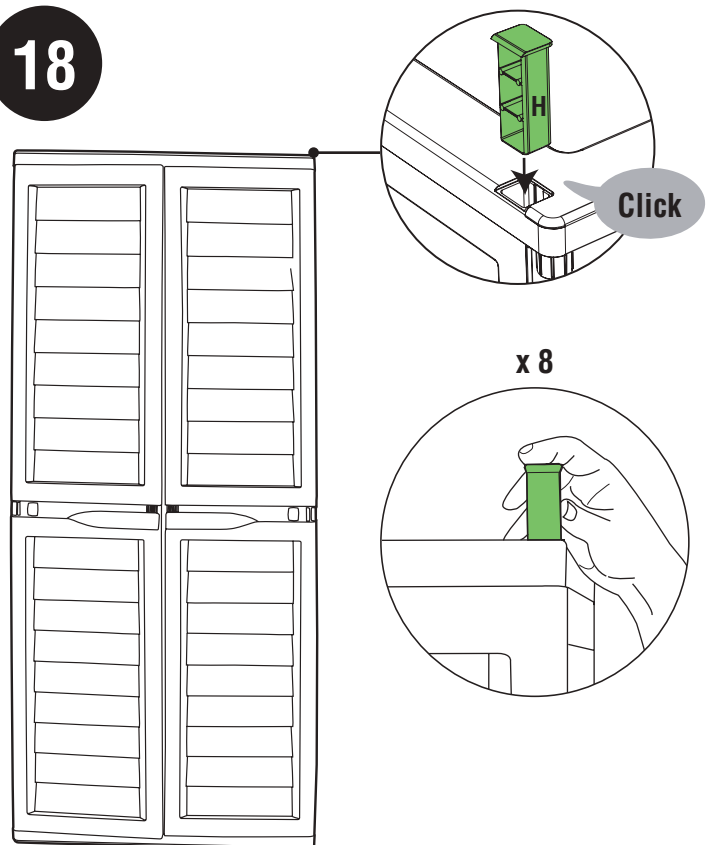
16



17

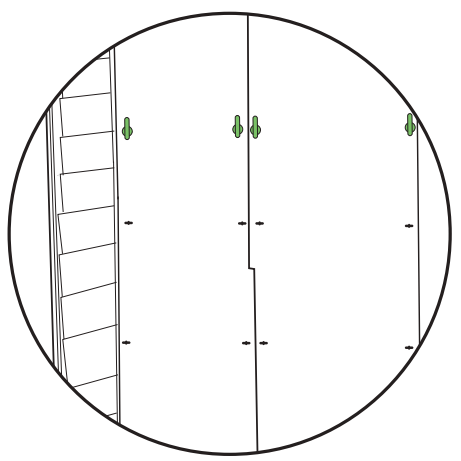
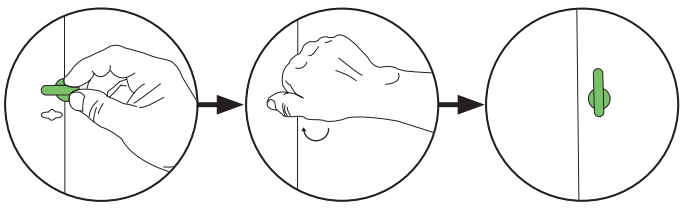


18

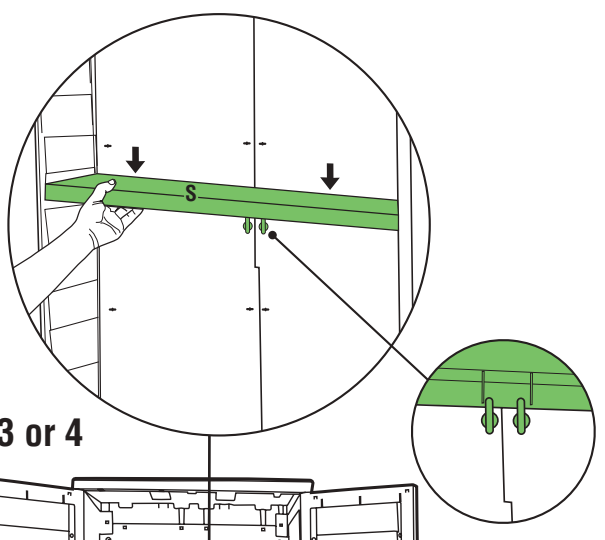


19

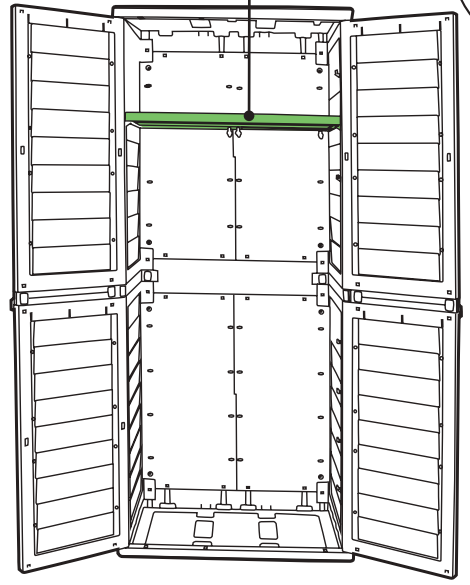
G  12 or 16



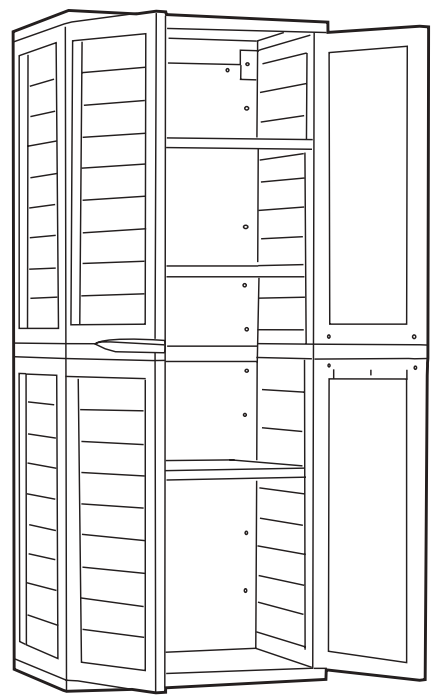
20



x 3 or 4

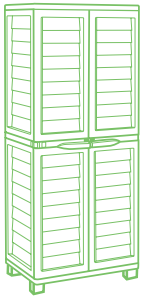


3 shelves



4 shelves



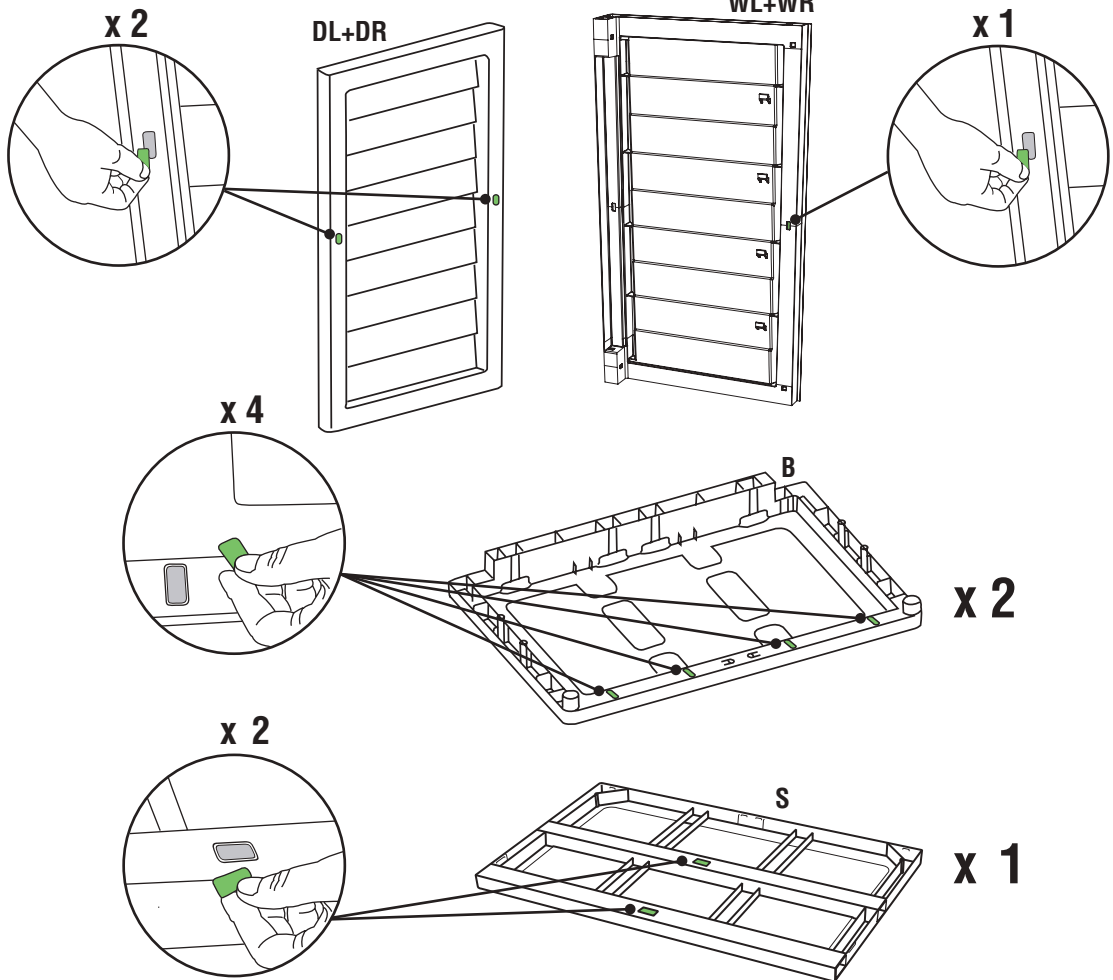


With Feet - version B

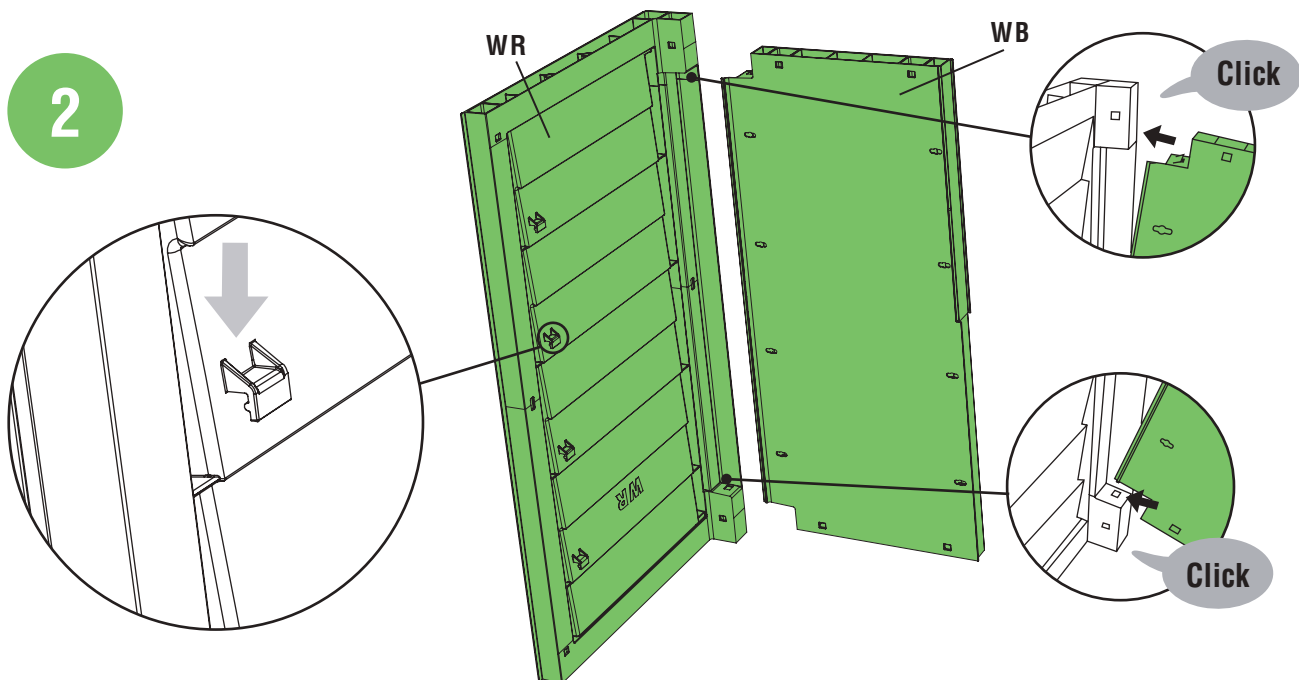
1

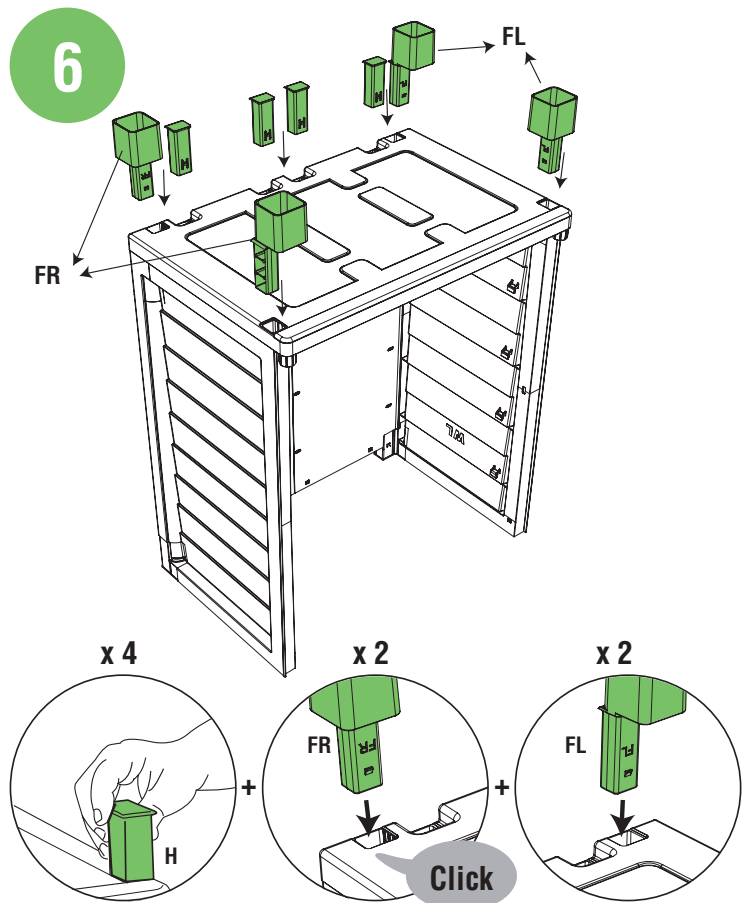
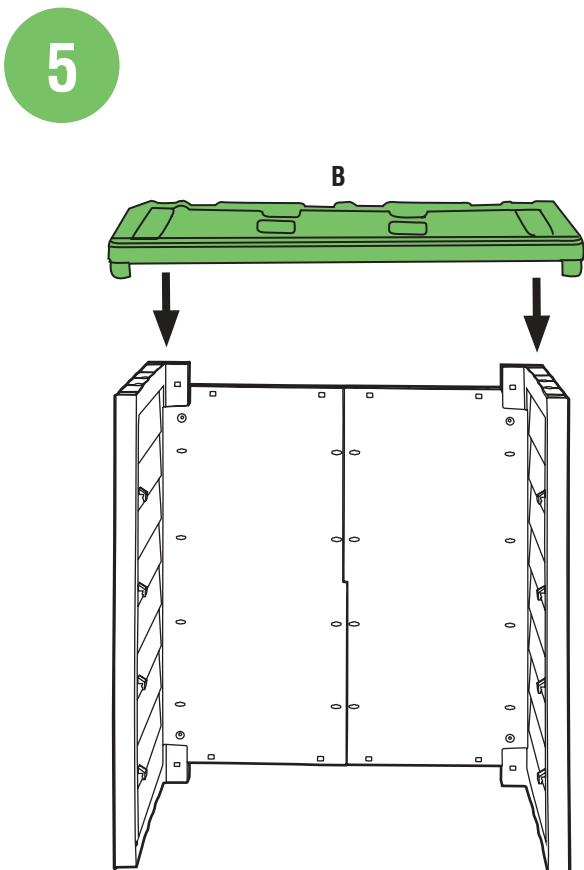
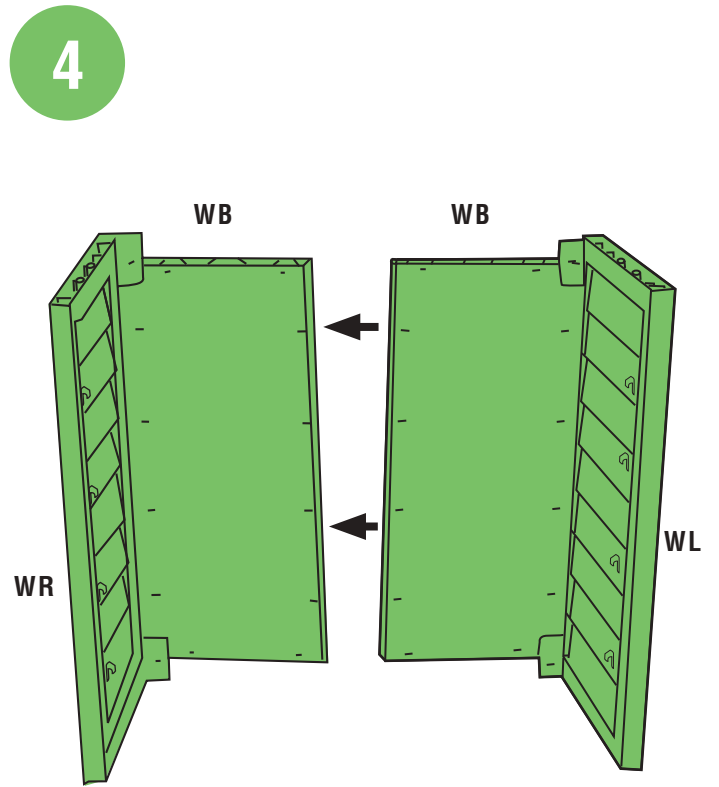
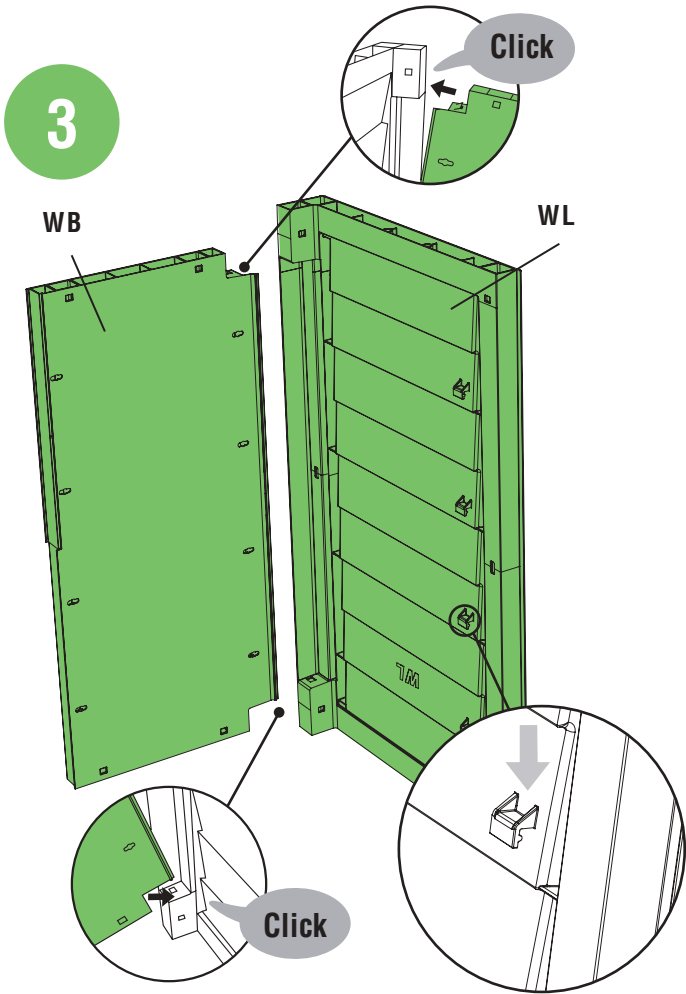


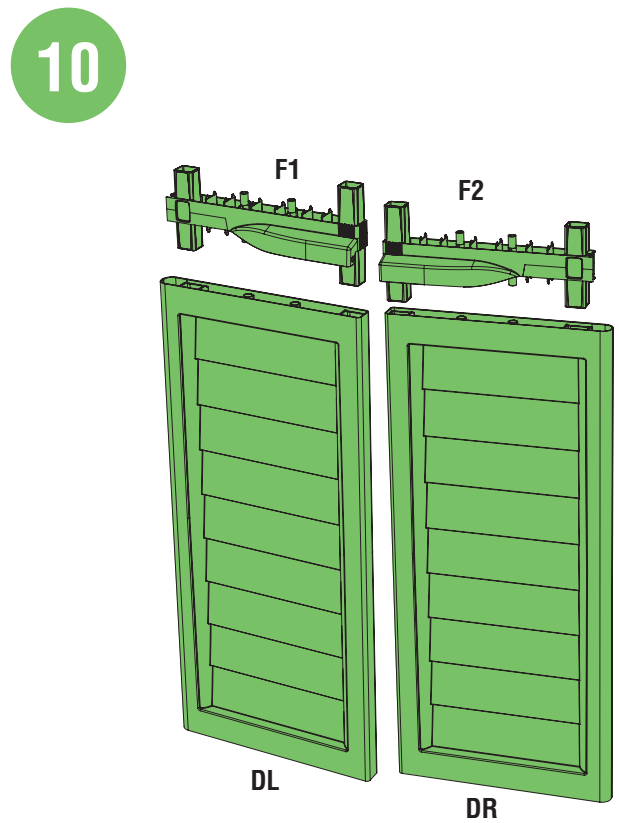
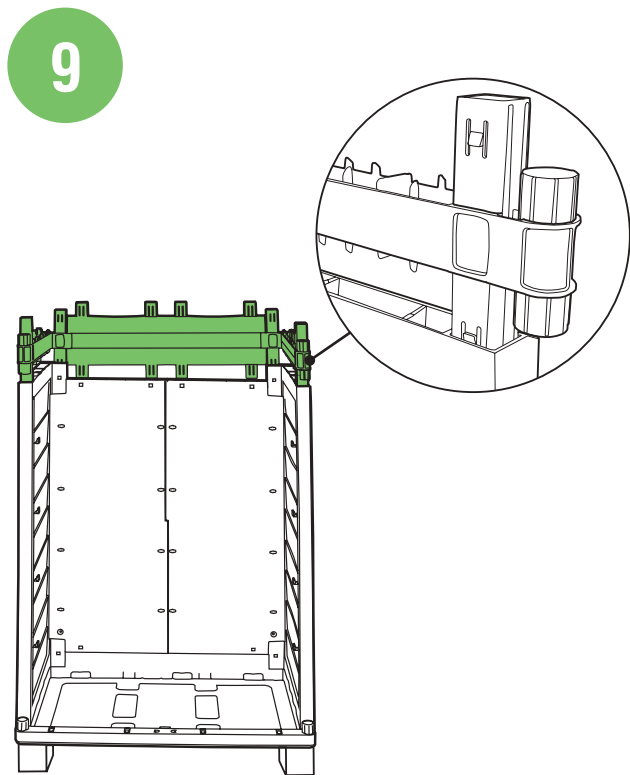
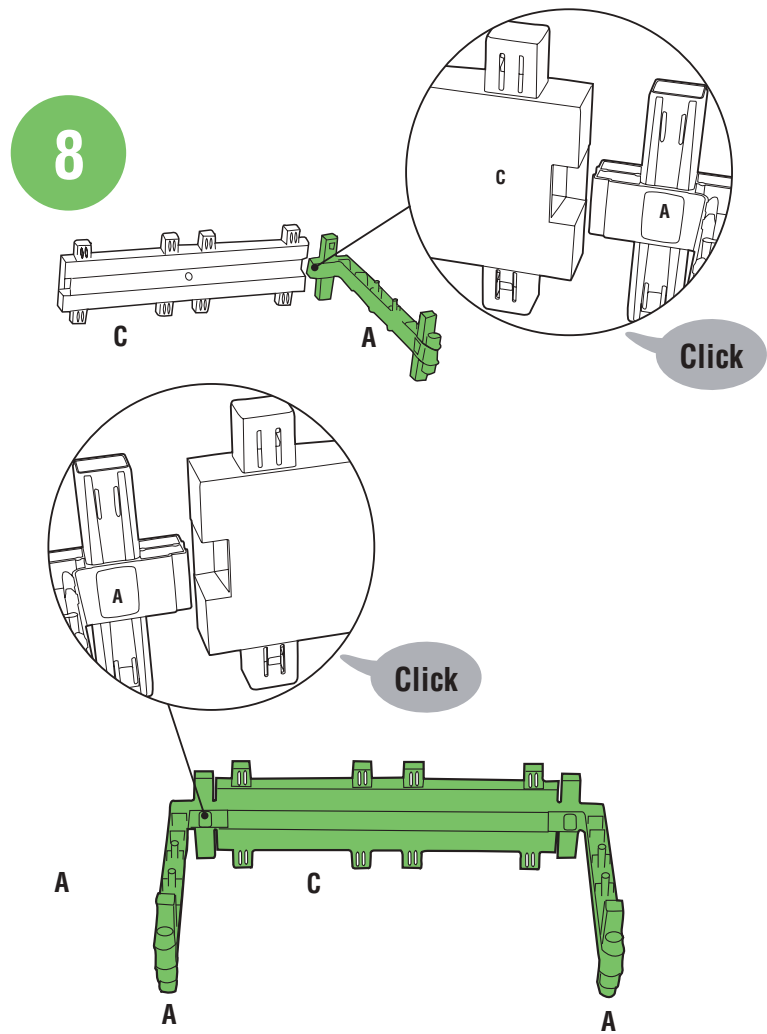
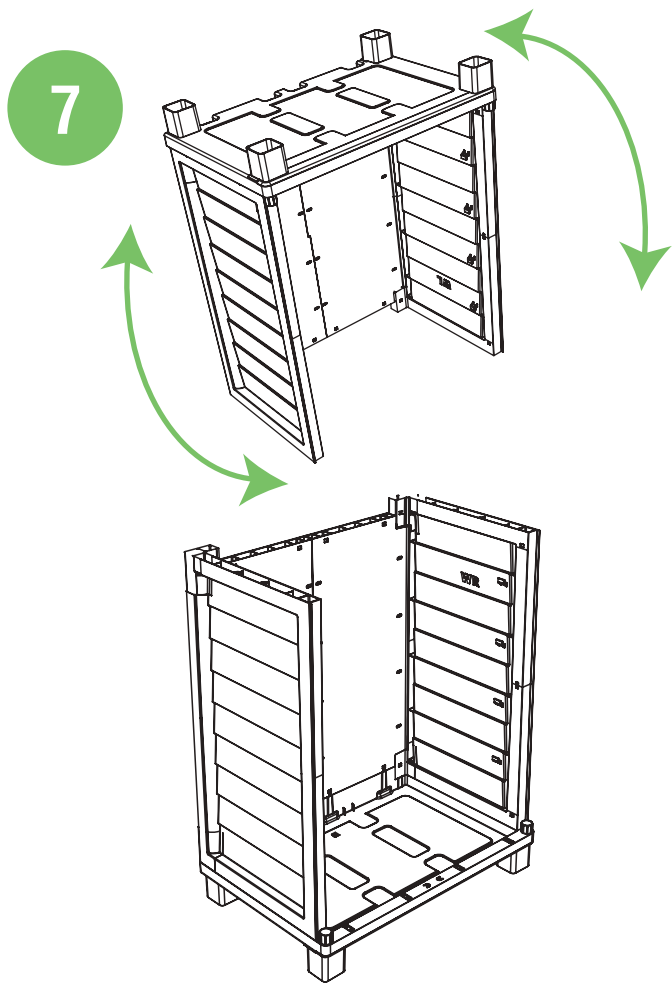
x 26 or 28

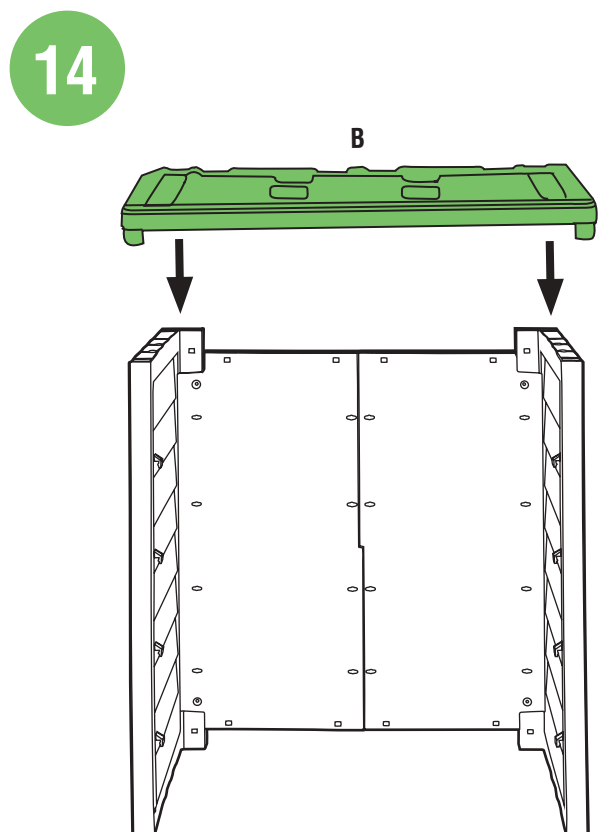
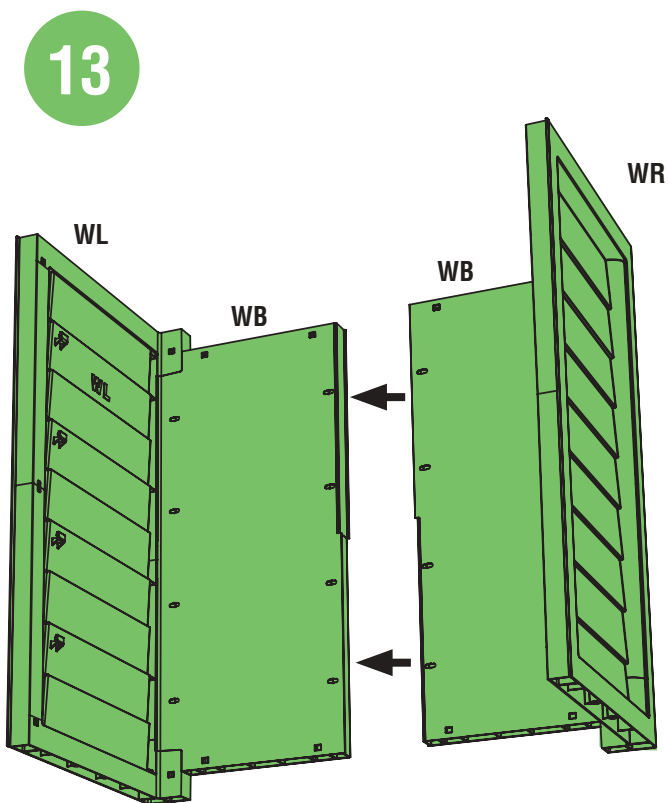
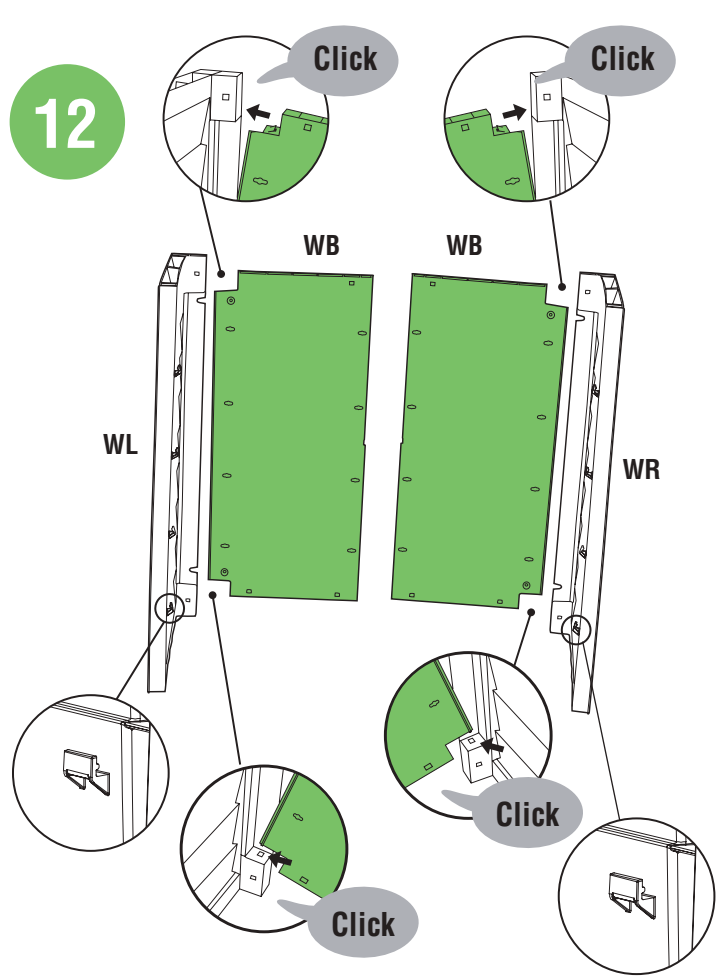
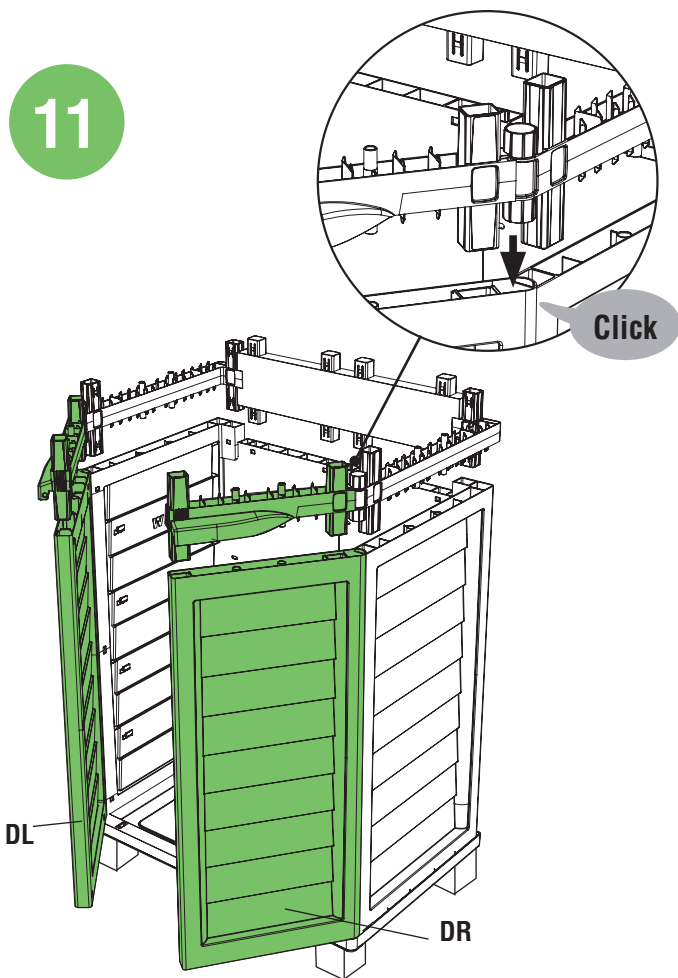


2

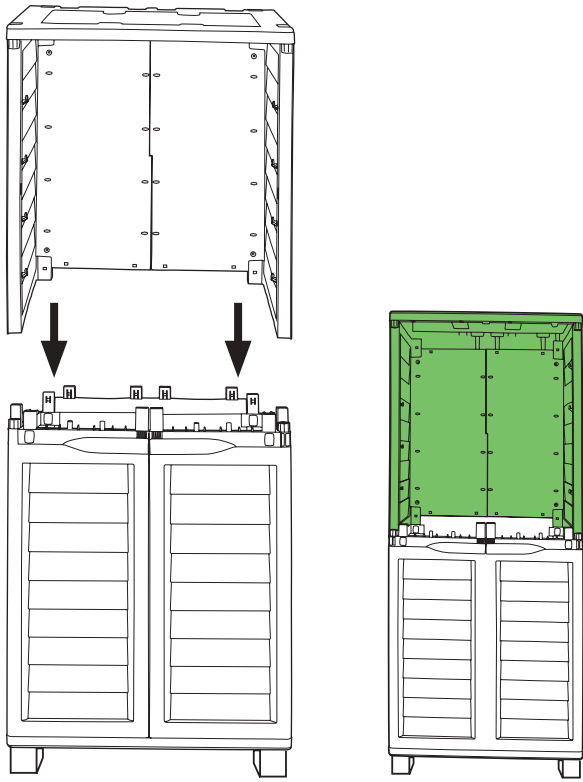




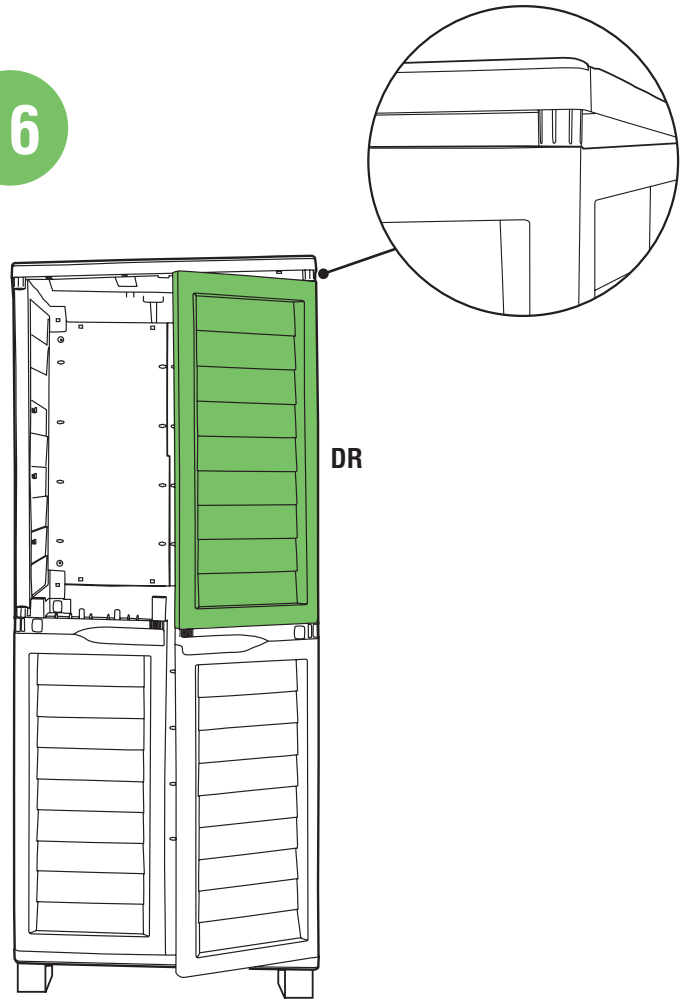




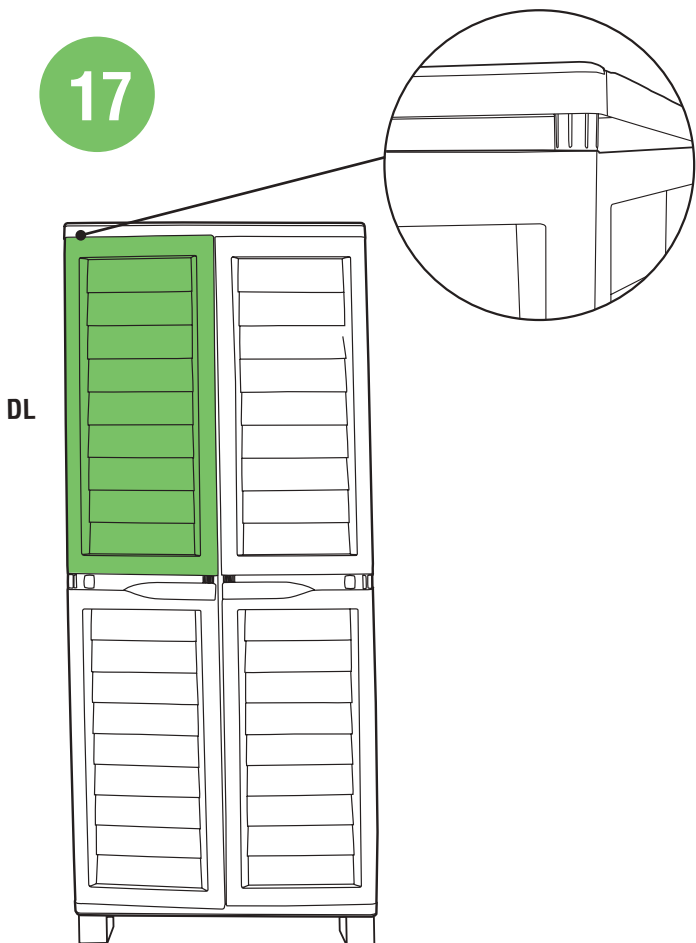
15



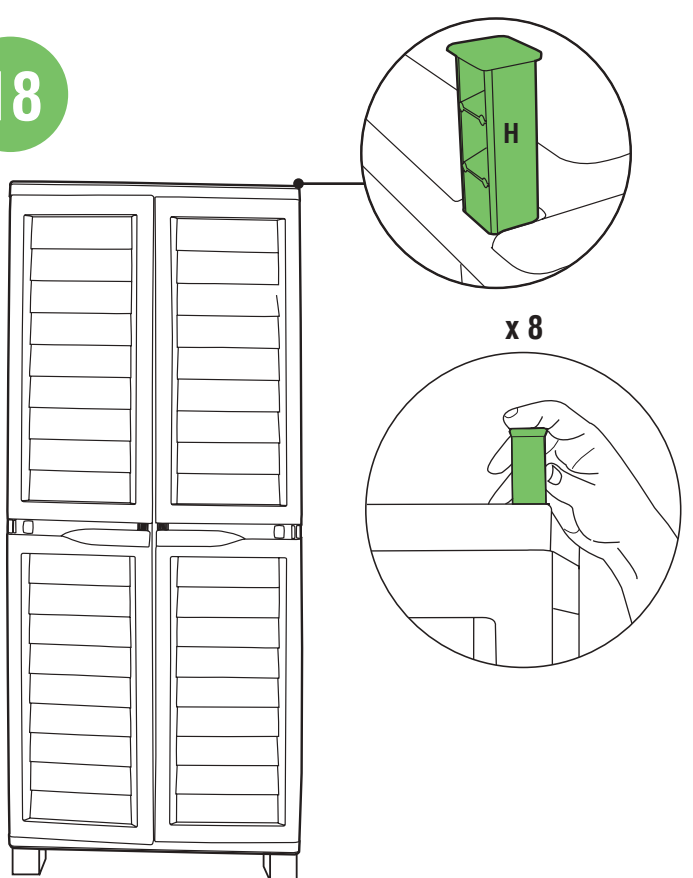
16



17

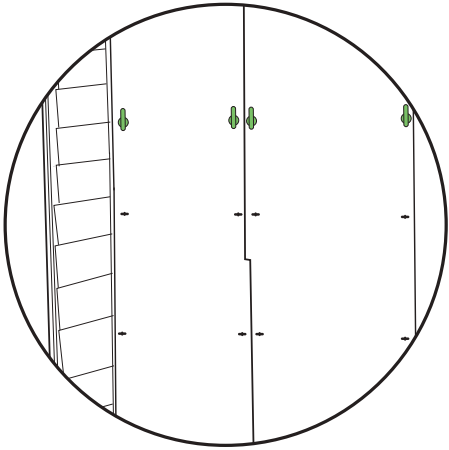
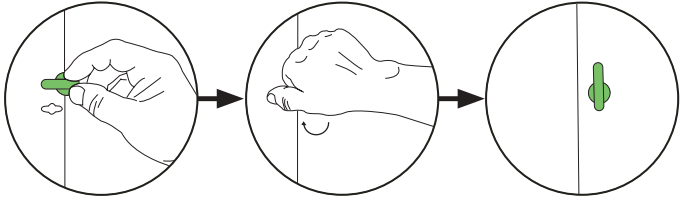


18

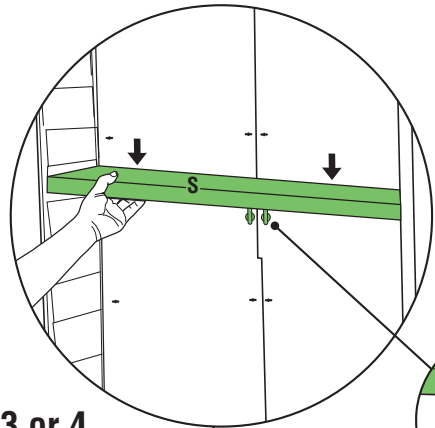


19

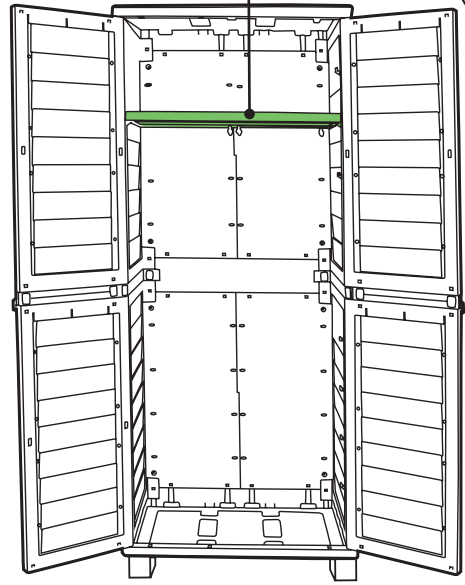
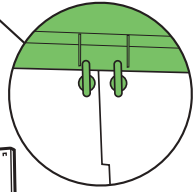
g  12 or 16



20



x 3 or 4



3 shelves

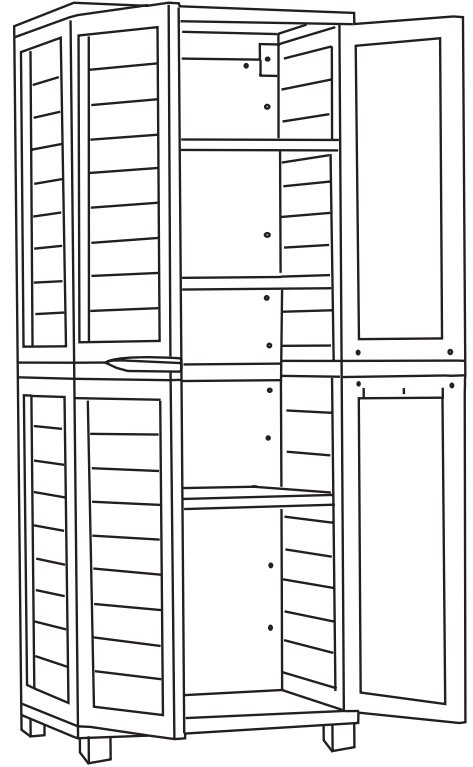
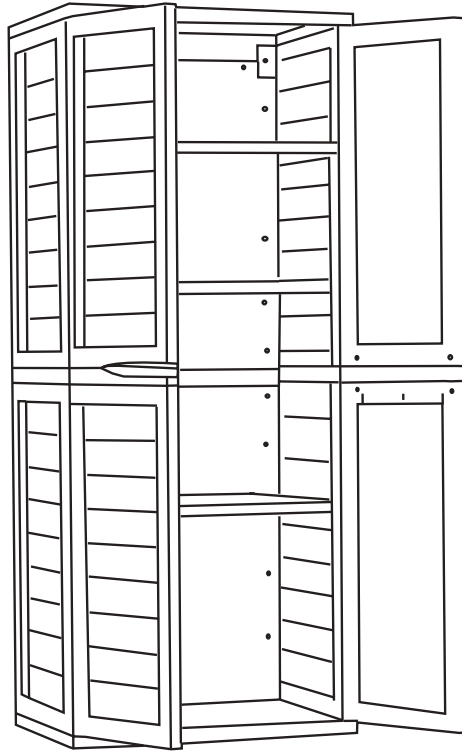


4 shelves



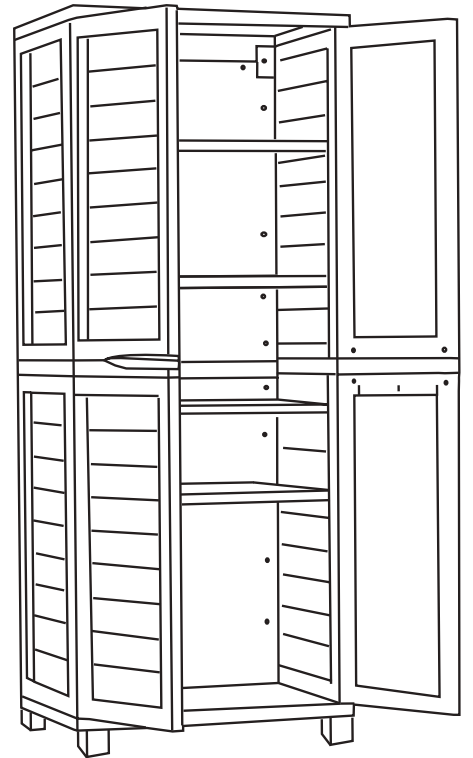
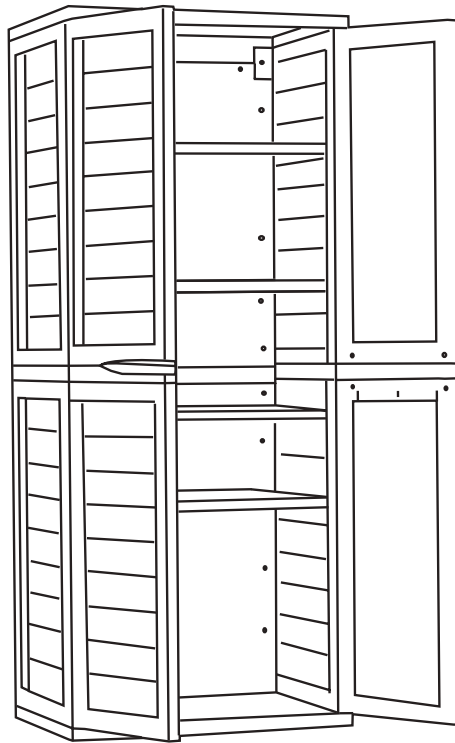
3

EN Shelves
DE Regalen
FR Etageres
ES Estantes
NL Planken



4

EN Shelves
DE Regalen
FR Etageres
ES Estantes
NL Planken



Contact information

Head office:

Dancover A/S
Nordre Strandvej 119 G
3150 Hellebæk
Denmark

For more information
please visit:
www.dancovershop.com

National contact

Denmark: 70 26 76 20
denmark@dancover.com

UK: 020 8099 7570
uk@dancover.com

Germany: 041 0266 7040
germany@dancover.com

France: 0975 181 800
france@dancover.com

Sweden: 040 233 262
sverige@dancover.com

Finland: 0 931 581 720
suomi@dancover.com

Poland: 22 300 8602
polska@dancover.com

Luxembourg: +49 041 0266 7040
luxembourg@dancover.com

Portugal: 308 800 899
portugal@dancover.com

Spain: 911 436 828
espana@dancover.com

Italy: 02 479 21 198
italia@dancover.com

Switzerland: 0840 000125
schweiz@dancover.com

Austria: 0662 626935
austria@dancover.com

Norway: 231 00 690
norge@dancover.com

Nederland: 0 858 880 524
nederland@dancover.com

Ireland: 0 151 33 003
ireland@dancover.com

Belgium: 0 28 08 08 09
belgique@dancover.com