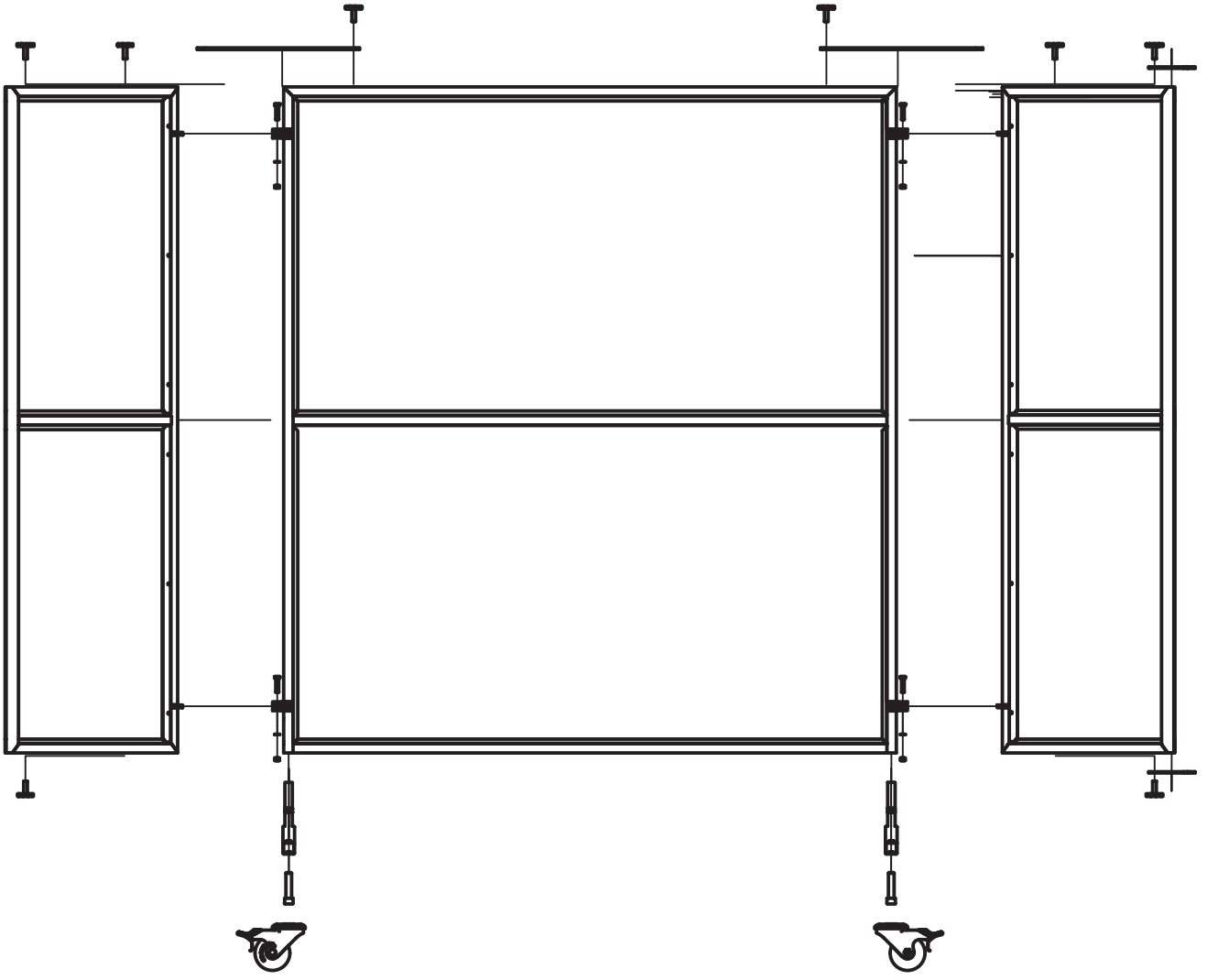
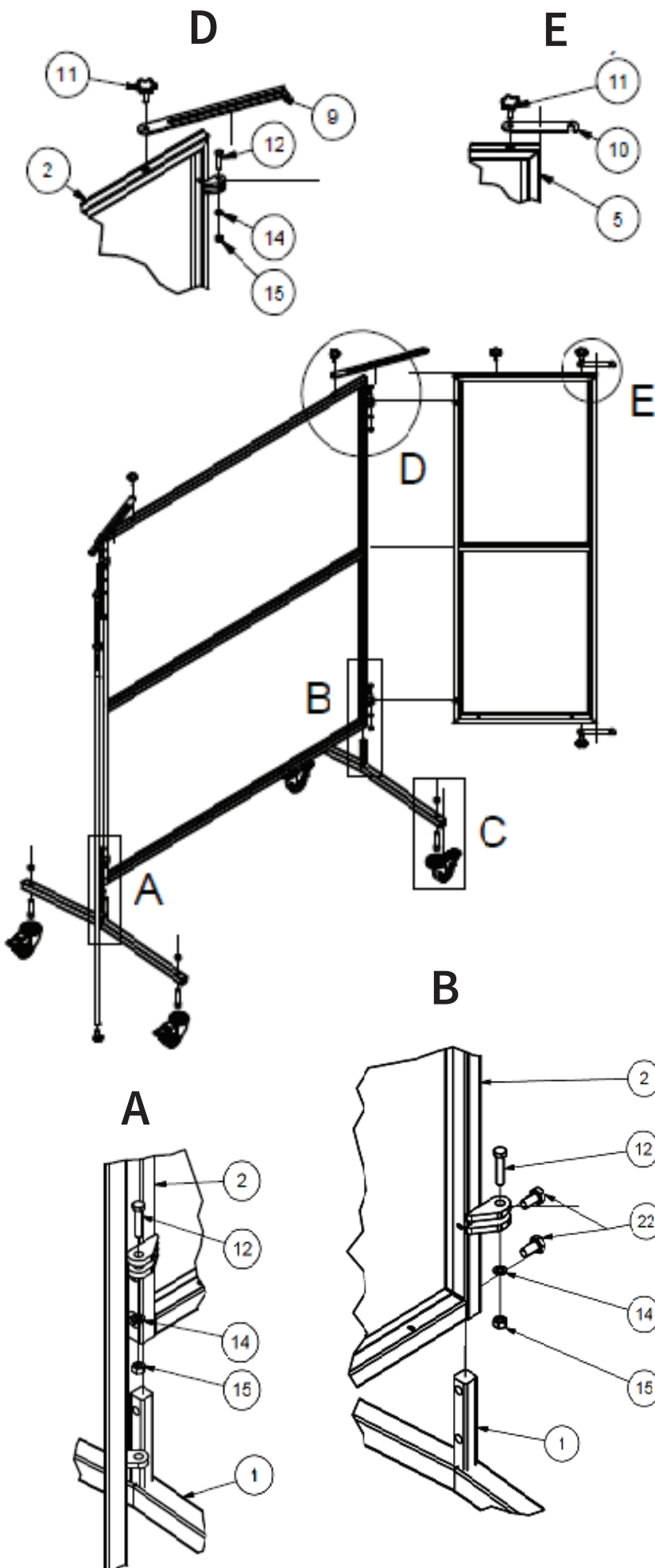


DANCOVER[®]

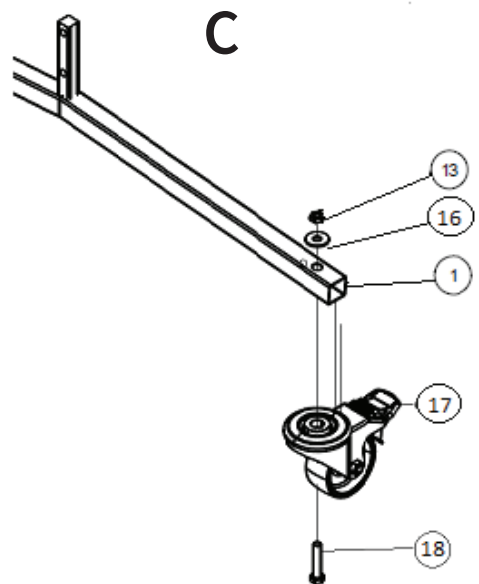


Manual
for
Patio Wind Screen





No.	Description	QTY
1	Leg of terrace screen	2
2	Main frame	1
5	Side part of terrace screen	2
9	Connection part (long)	2
10	Connection part (small)	2
11	M8 Clamping Knob	8
12	Bolt M6 x 30	4
13	Nut M8	4
14	Washer 6	4
15	Nut M6x1	4
16	Washer 8	4
17	Swivel wheel	4
18	Bolt M8 x 30	4
22	Screw M8x14 - 8.8 - H	4



Contact information

Head office:

Dancover A/S
Lyngevej 16A, Nørre Herlev
3400 Hillerød
Denmark

For more information
please visit:

www.dancovershop.com

National contact

Denmark:

denmark@dancover.com

UK:

uk@dancover.com

Germany:

germany@dancover.com

France:

france@dancover.com

Sweden:

sverige@dancover.com

Finland:

suomi@dancover.com

Poland:

polska@dancover.com

Luxembourg:

luxembourg@dancover.com

Portugal:

portugal@dancover.com

Spain:

espana@dancover.com

Italy:

italia@dancover.com

Switzerland:

schweiz@dancover.com

Austria:

austria@dancover.com

Norway:

norge@dancover.com

Nederland:

nederland@dancover.com

Ireland:

ireland@dancover.com

Belgium:

belgique@dancover.com