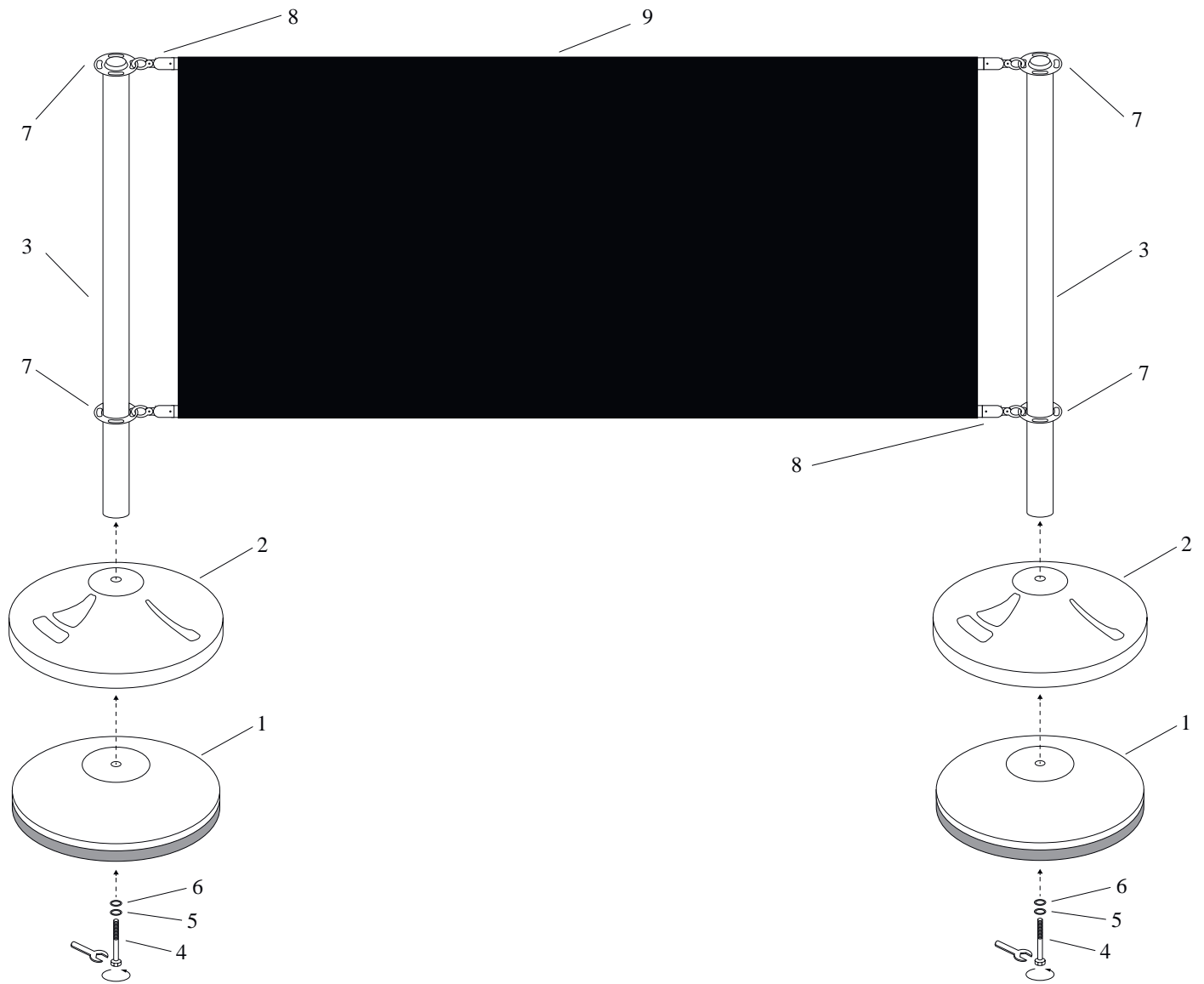


DANCOVER[®]

.com

Manual
for
Barrier system
Café Set Silver
w/Black Banner



Name list of the parts

1. base
2. base cover
3. pole
4. screw
5. ring
6. washer
7. adaptor ring
8. cross bar
9. banner

Cautions

Please make sure that the base is steady and the product is fixed well.

Assembly Instructions

1. Put the base cover (2) on the base (1).
2. Fix the pole (3) on the base by screw (4) ring (5) and washer (6), then fasten with your spanner.
3. Insert the cross bars (8) into the upper and lower rod pocket in the banner (9) and mount the cross bars with banner to the poles.

Contact information

Head office:

Dancover A/S
Nordre Strandvej 119 G
3150 Hellebæk
Denmark

For more information
please visit:

www.dancovershop.com

National contact

Denmark: 70 26 76 20
denmark@dancover.com

UK: 020 8099 7570
uk@dancover.com

Germany: 041 0266 7040
germany@dancover.com

France: 0975 181 800
france@dancover.com

Sweden: 040 233 262
sverige@dancover.com

Finland: 0 931 581 720
suomi@dancover.com

Poland: 22 300 8602
polska@dancover.com

Luxembourg: +49 041 0266 7040
luxembourg@dancover.com

Portugal: 308 800 899
portugal@dancover.com

Spain: 911 436 828
espana@dancover.com

Italy: 02 479 21 198
italia@dancover.com

Switzerland: 0840 000125
schweiz@dancover.com

Austria: 0662 626935
austria@dancover.com

Norway: 231 00 690
norge@dancover.com

Nederland: 0 858 880 524
nederland@dancover.com

Ireland: 0 151 33 003
ireland@dancover.com

Belgium: 0 28 08 08 09
belgique@dancover.com