

DANCOVER[®]

.com

Crestline 2L
Camping tent

DANCOVER[®]

.com

Safety Advice

Attention

In some countries approval is needed to set up a marquee/tent larger than 75 m². It is your responsibility to comply with local rules and regulations and to ensure that the marquee/tent is assembled correctly.

In case of bad weather conditions, it is your responsibility to ensure the marquee/tent is safely secured and that the marquee/tent does not cause damage to others.

Do not use open fire, welding equipment or other sources which can ignite, inside or close to the tent.

The marquee/tent must be safely secured. We recommend you secure your marquee/tent with straps and pegs as soon as it is assembled.

Make sure to check if the marquee/tent is covered by your home contents insurance.

Marquees/tents must be evacuated under extreme weather conditions.

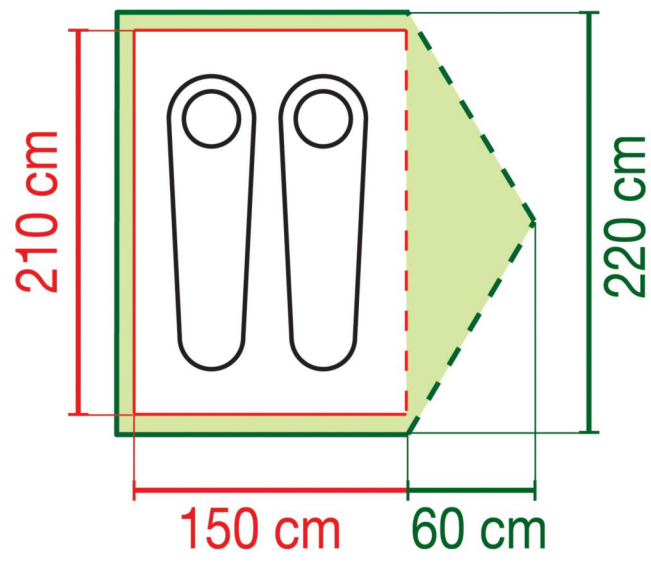
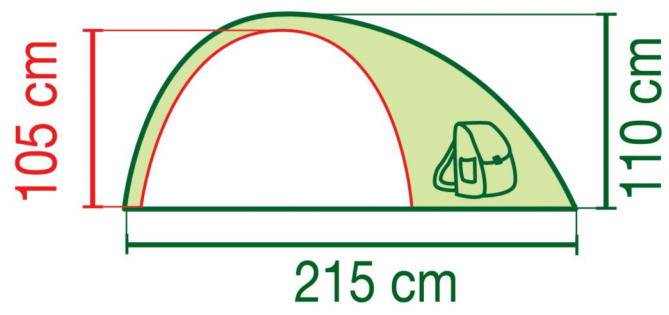
In the event of snow always remove snow from the roof of the marquee/tent regularly to prevent snow from building on the roof as heavy snow can cause the marquee/tent to collapse.

In the event of rain there is a risk of rain puddles building up on top of the roof of the marquee/tent. Heavy rain puddles can cause the roof to collapse. It is your responsibility to ensure rain puddles do not build up. As a precaution, make sure the roof of the marquee/tent is stretched out properly and adequately over the side frames of the marquee/tent and remove rain water regularly.

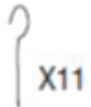
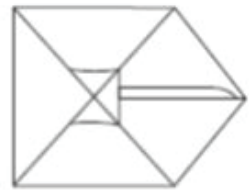
Note: Marquees are intended for events and other arrangements and are as such only meant for short term temporary assembly and the following disassembly. Dancover warranty applies only to the normal use of the Product, normal wear and tear excepted, in accordance with written use instructions or manual. The warranty does not apply to damage caused by accident, abuse, misuse, or modification of the Product.

Please always check our website for the latest safety advice and manual.

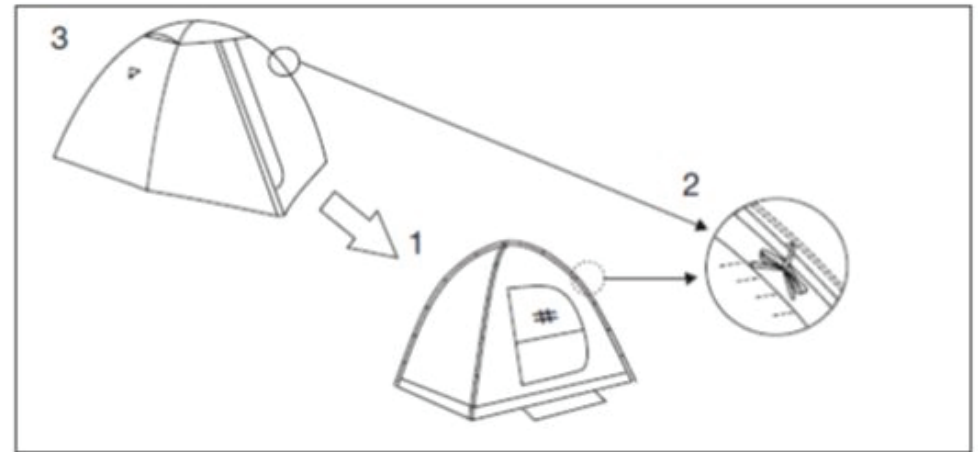
Crestline 2 L



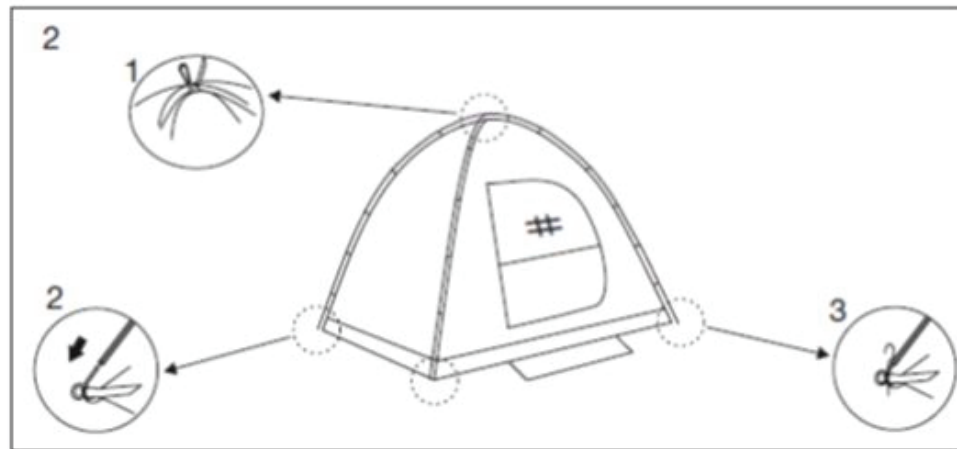
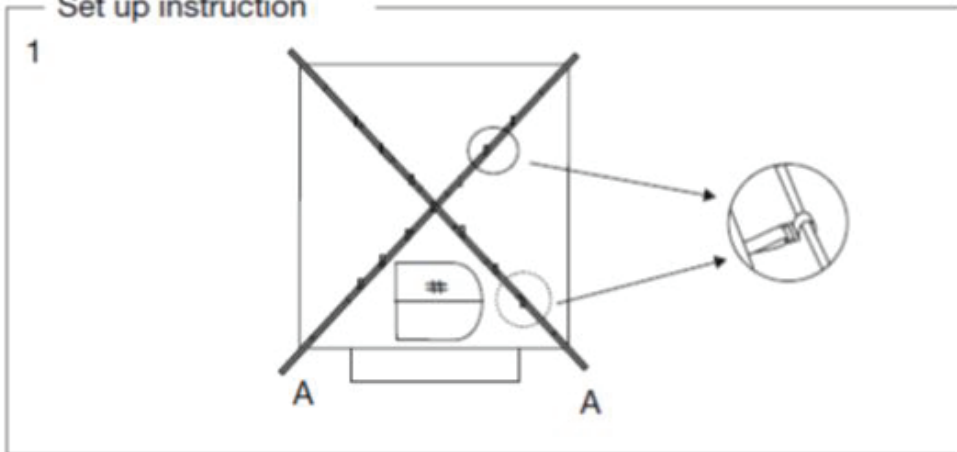
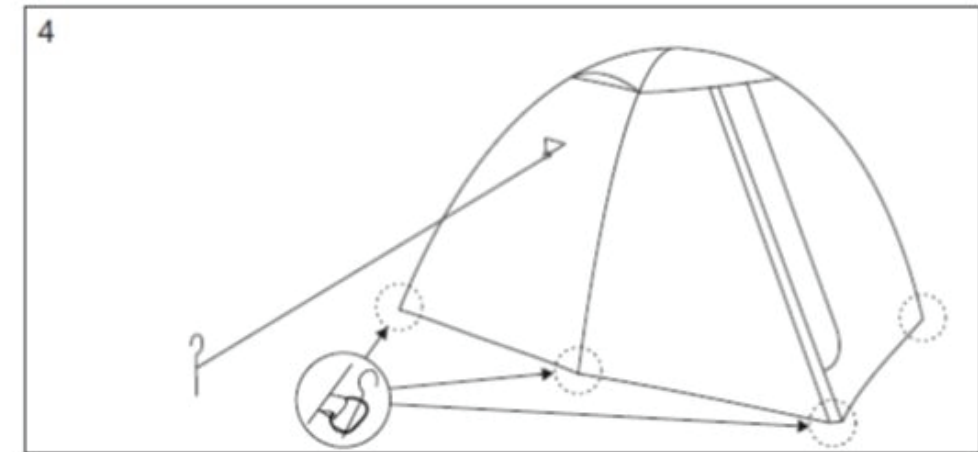
Check list — CRESTLINE 2L



Ax2



Set up instruction



Crestline 2

1. Lay out the 'inner' tent flat on the ground, so that you are able to see the pole sleeves. The poles are black. Insert into the relevant pole sleeves.
2. Assemble the poles and lay to one side.
3. Insert the poles into the correct pole sleeves to form the dome.
4. Position and secure.
5. Drape the flysheet over the dome and tie the ribbons to the poles (top and sides).
6. Insert the porch poles
7. Guy the tent.
8. Peg the tent into position.

Coleman tent - tips

Condensation:- Try not to leave damp items inside the tent. Make sure you make use of the ventilation flaps at the bottom of the tent, also those at high level.

Tension:- Check if zips run smoothly, if not try releasing some tension from the end guy ropes.

Cleaning:- Dirt can be removed by brushing softly or rubbing with a soft soap solution. Detergents cannot be used as these can effect the water-repellent effect of the fabric. Rinse all traces of soap well and dry off the tent.

Packing/Storage:- Remove all poles. Lay the tent flat on the ground and fold in half making sure no air is trapped inside the tent.

If you remove the air it will make the tent easier to be inserted into the carry bag. Fold flysheet in half in the opposite direction. Fold in half again until the width and length are the same as the carry bag. Ensure that the poles are kept separate from the tent. This should now fit into the carry bag.

If the tent is transported "wet" from the campsite, spread the tent out when you get home and allow it to dry before storing.

Contact information

Head office:

Dancover A/S
Nordre Strandvej 119 G
3150 Hellebæk
Denmark

For more information
please visit:
www.dancovershop.com

National contact

Denmark:

denmark@dancover.com

UK:

uk@dancover.com

Germany:

germany@dancover.com

France:

france@dancover.com

Sweden:

sverige@dancover.com

Finland:

suomi@dancover.com

Poland:

polska@dancover.com

Luxembourg:

luxembourg@dancover.com

Spain:

espana@dancover.com

Italy:

italia@dancover.com

Switzerland:

schweiz@dancover.com

Austria:

austria@dancover.com

Norway:

norge@dancover.com

Nederland:

nederland@dancover.com

Ireland:

ireland@dancover.com

Belgium:

belgique@dancover.com