

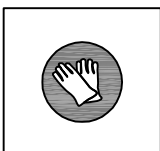
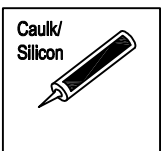
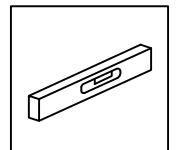
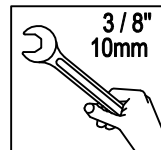
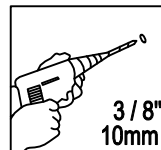
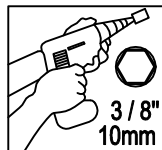
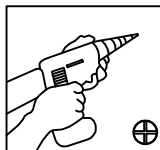
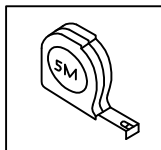
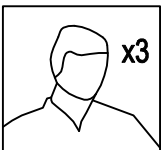
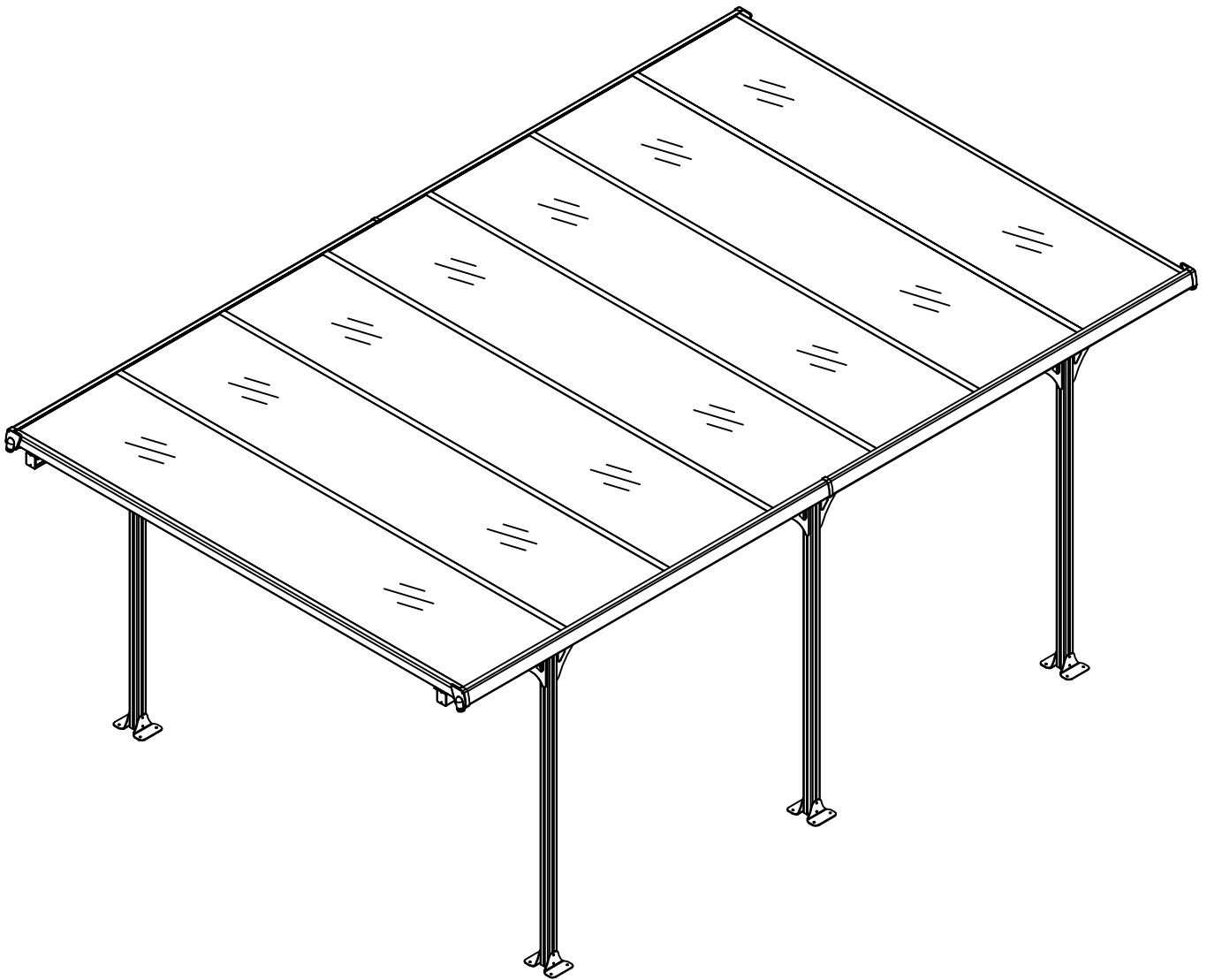
**DANCOVER<sup>®</sup>**

**.com**

Manual  
for  
Carport Boston  
3,13x5,02m

# Carport

## OWNER'S MANUAL / Instructions for Assembly



# Assembly Preparation

## Owner's Manual

Please check local building codes regarding footings, location and other requirements before beginning construction. Study and understand this owner's manual of important information and helpful tips for easier and more enjoyable assembly.

## Assembly Instructions:

Reviewing the instructions before you begin, make sure following the step sequences carefully for successful results.

## Parts and Parts List:

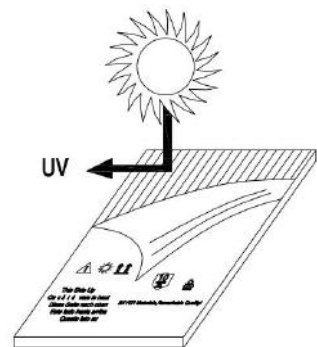
Check to be sure that you have all the necessary parts.

## Safety must be put in the No. 1 position:

1. Select a dry and calm day for your assembly. Do not attempt to assemble the carport if you are tired, have taken drugs, medications or alcohol, or if you are prone to dizzy spells.
2. Team works ( three or more people ) are required during the assembly.
3. Wearing safety gloves, shoes, eye protection and long sleeves during the assembly to prevent injury. Pay attention to the sharp edge of some parts.
4. Children and pets are not allowed entering into the construction site. Dispose of all plastic bags safely - keep them out of reach of small children.
5. When using a stepladder or power tools, ensure that you follow the manufacturer's safety advice.
6. Never concentrate your total weight on the roof. Do not climb or stand on the roof.
7. Heavy amounts of snow on roof can damage the carport making it unsafe to stand below or nearby.
8. Heavy articles should not be leaned against the poles.
9. This product was designed to be used mainly as a carport.

## Care & Maintenance:

1. PC panels: Expose only the printed masking side to sunlight--this side is UV protected.
2. Keep roof and gutters clean of snow, dirt & leaves.
3. When cleaning, use a mild detergent solution and rinse with cold clean water.  
Do not use acetone, abrasive cleaners, or other special detergents to clean the panel.



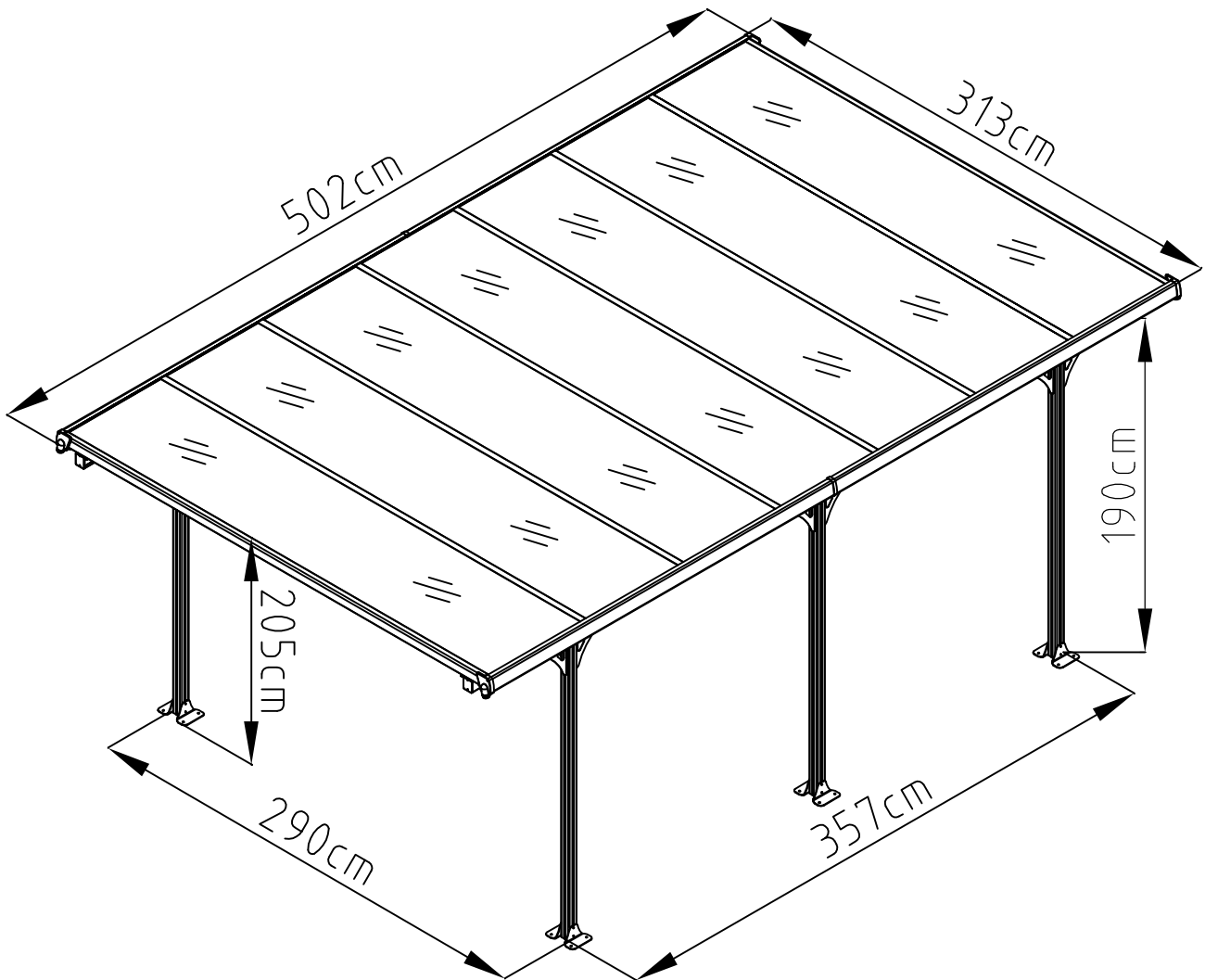
## Before Assembly:

This carport must be assembled on a solid base (such as concrete or asphalt).

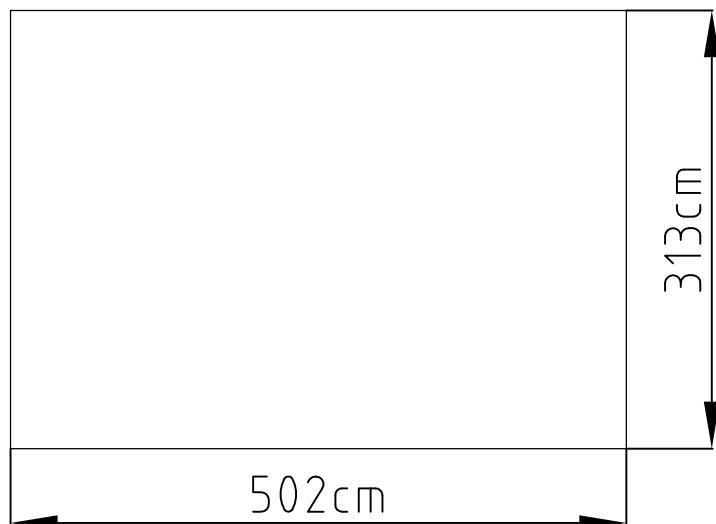
The bases surface below the poles needs to be level.

During assembly use a soft platform below the parts to avoid scratches and damages.

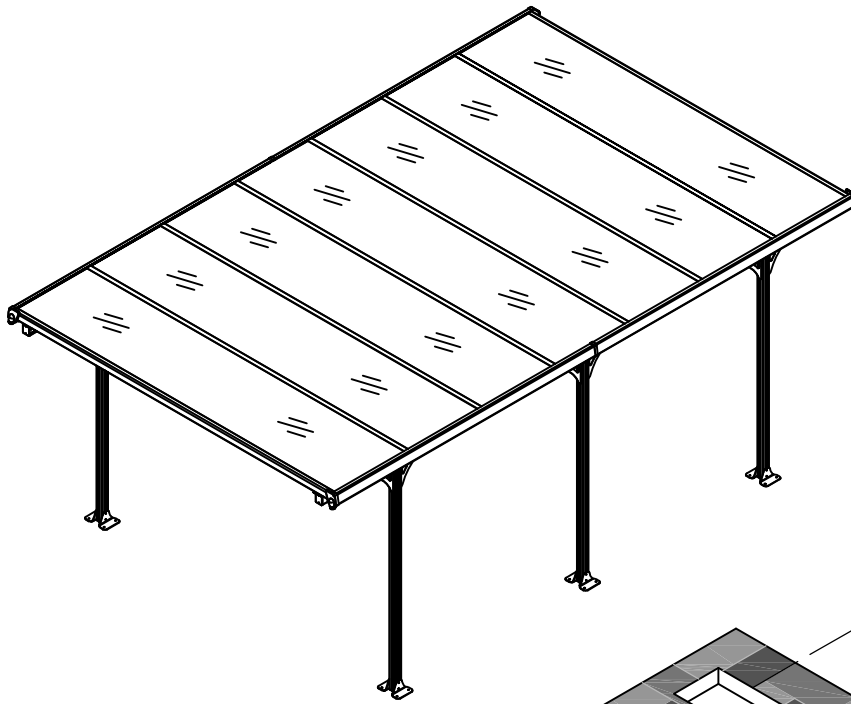
Size:



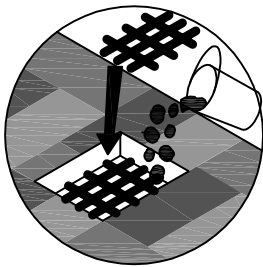
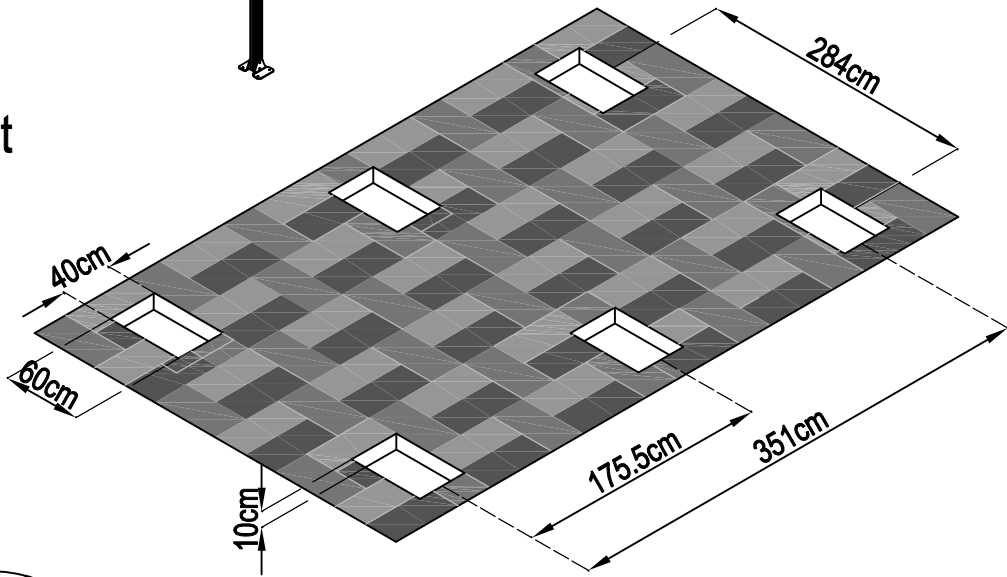
Area of installation requirement:



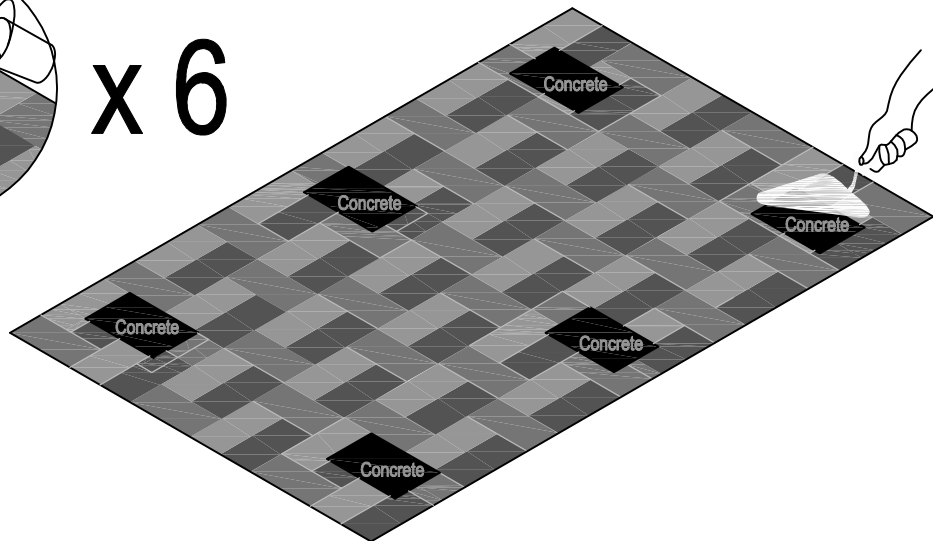
This carport should be assembled on a solid base (such as concrete). Without solid base, pre-foundation, that includes concrete and metal, is needed as in following drawings.



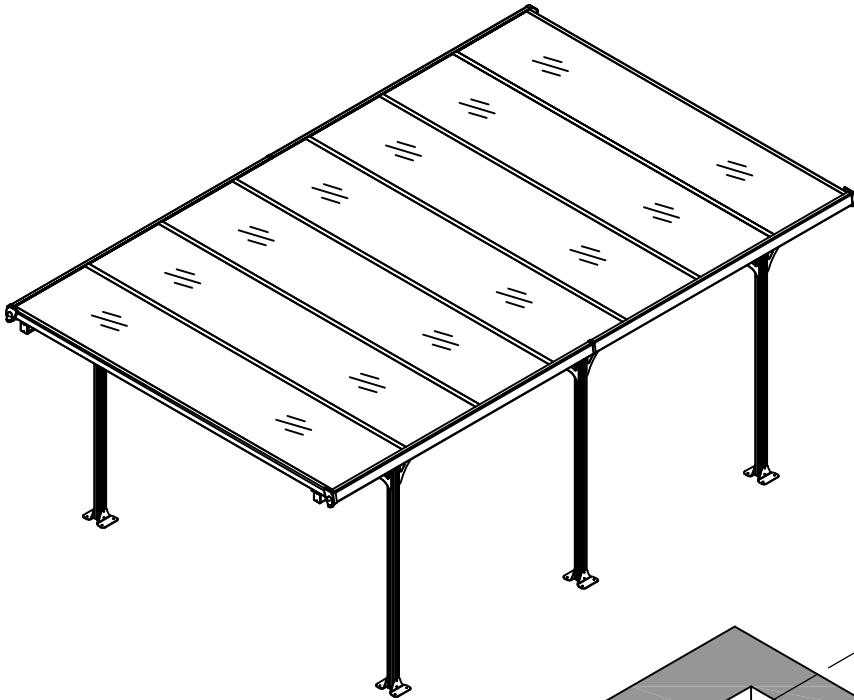
Pavement  
stone



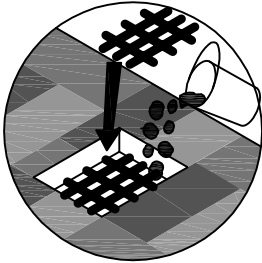
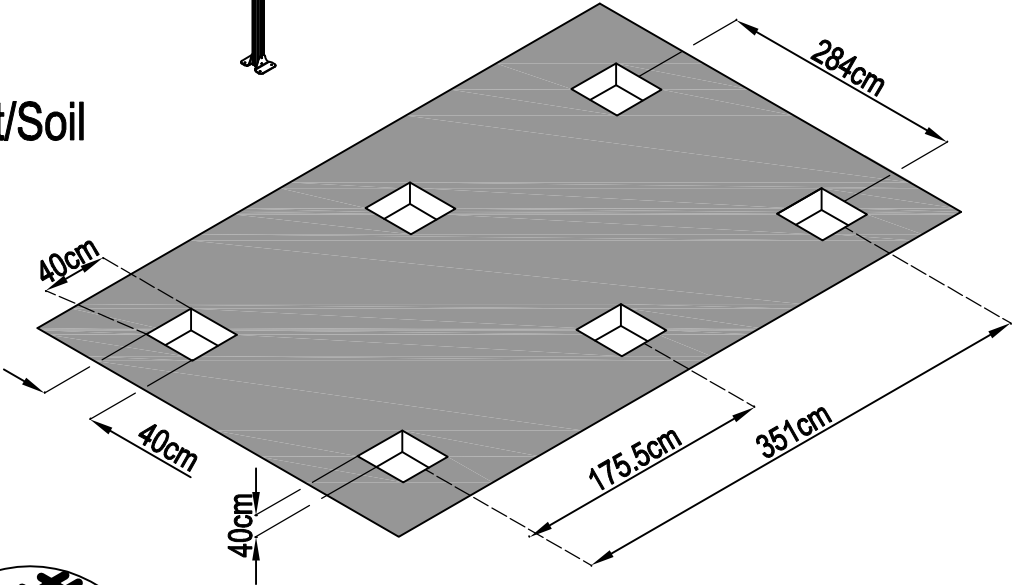
x 6



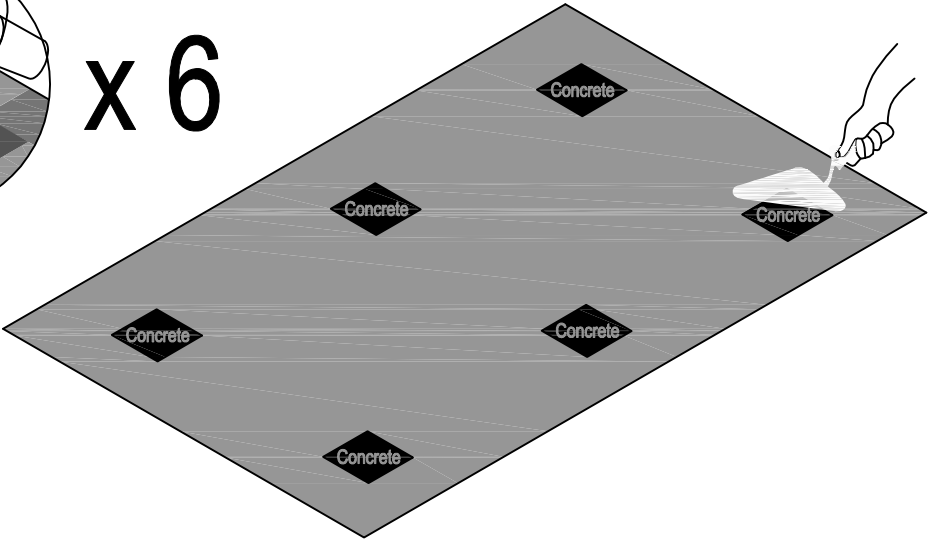
# OR

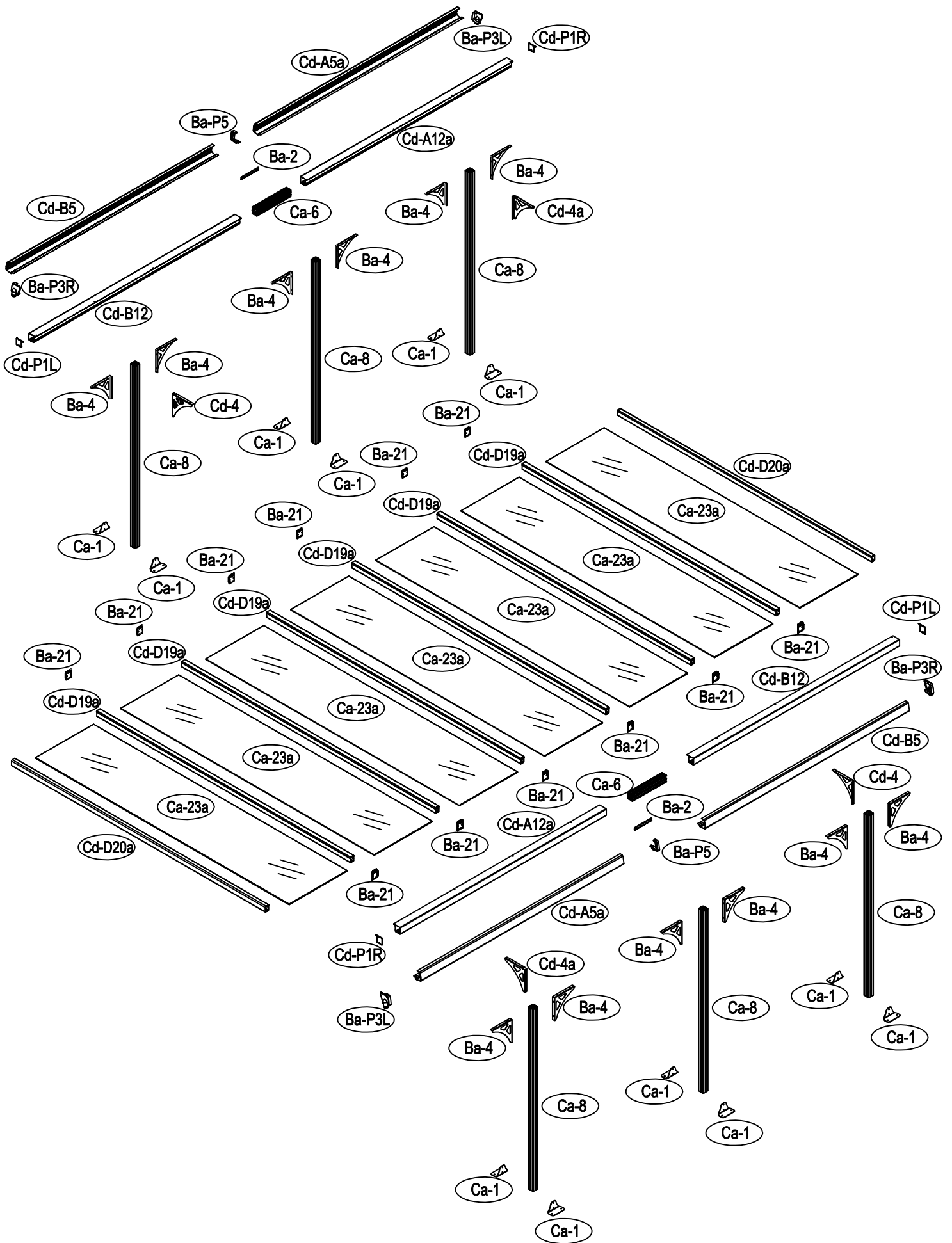


Asphalt/Soil



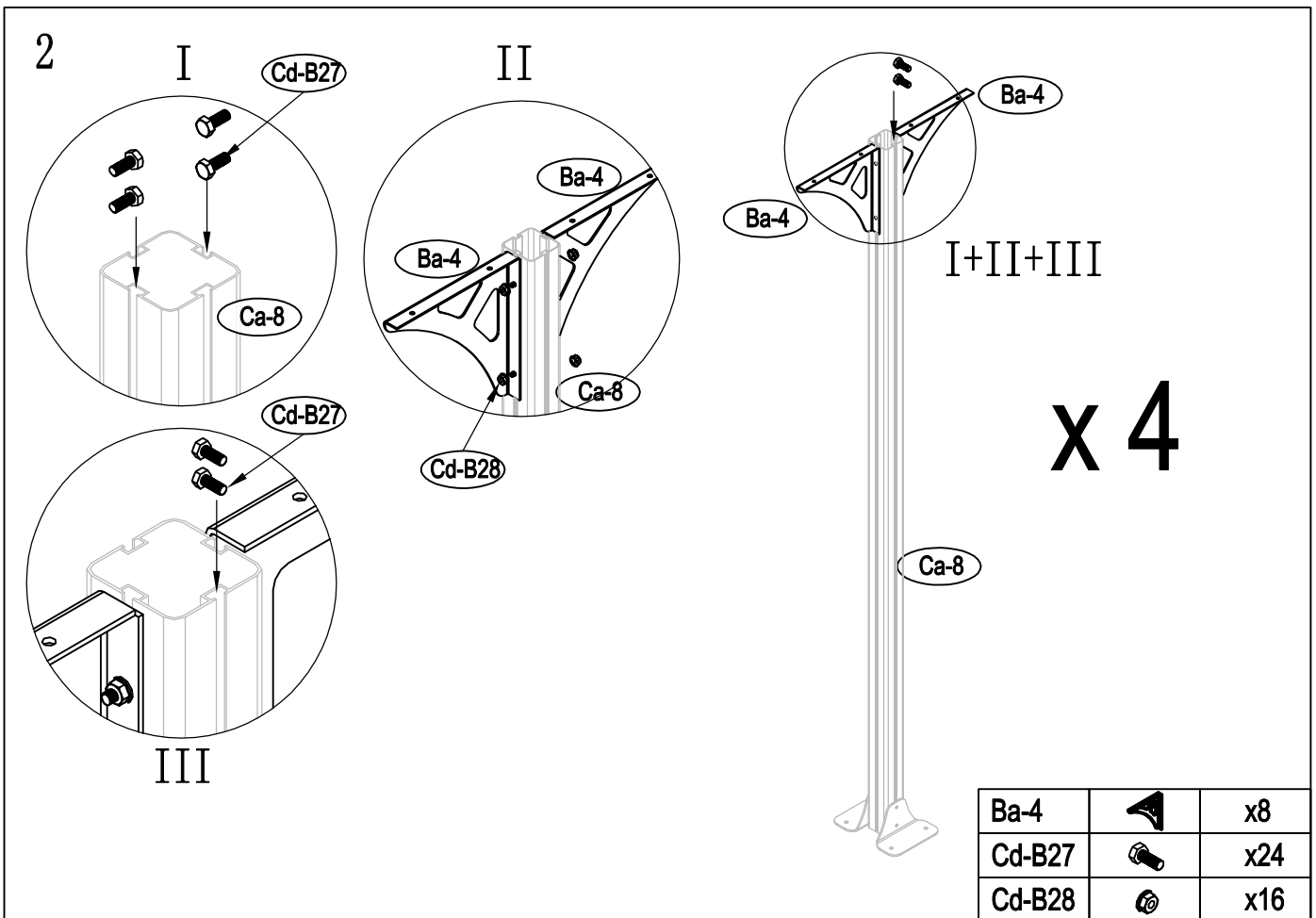
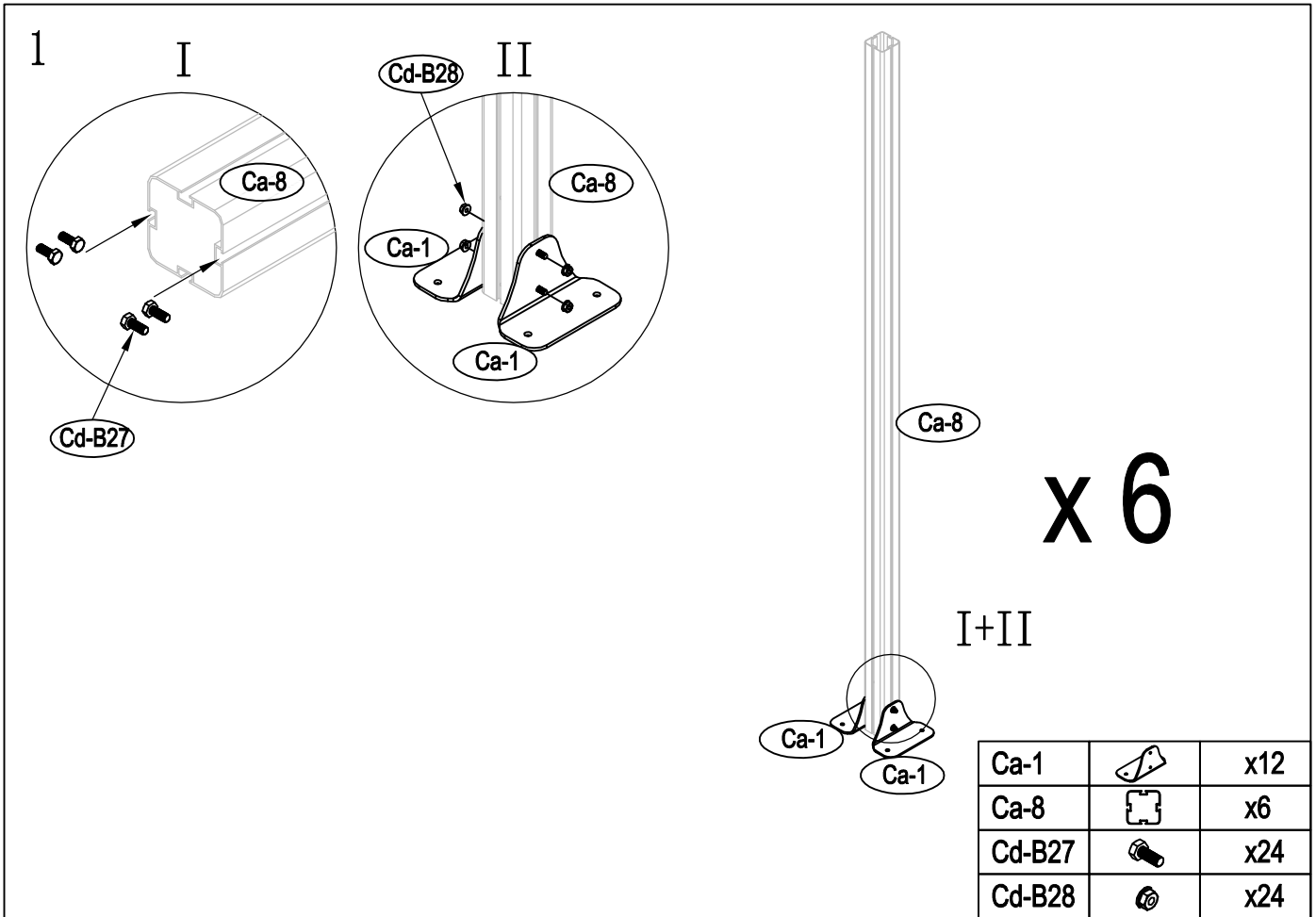
x 6

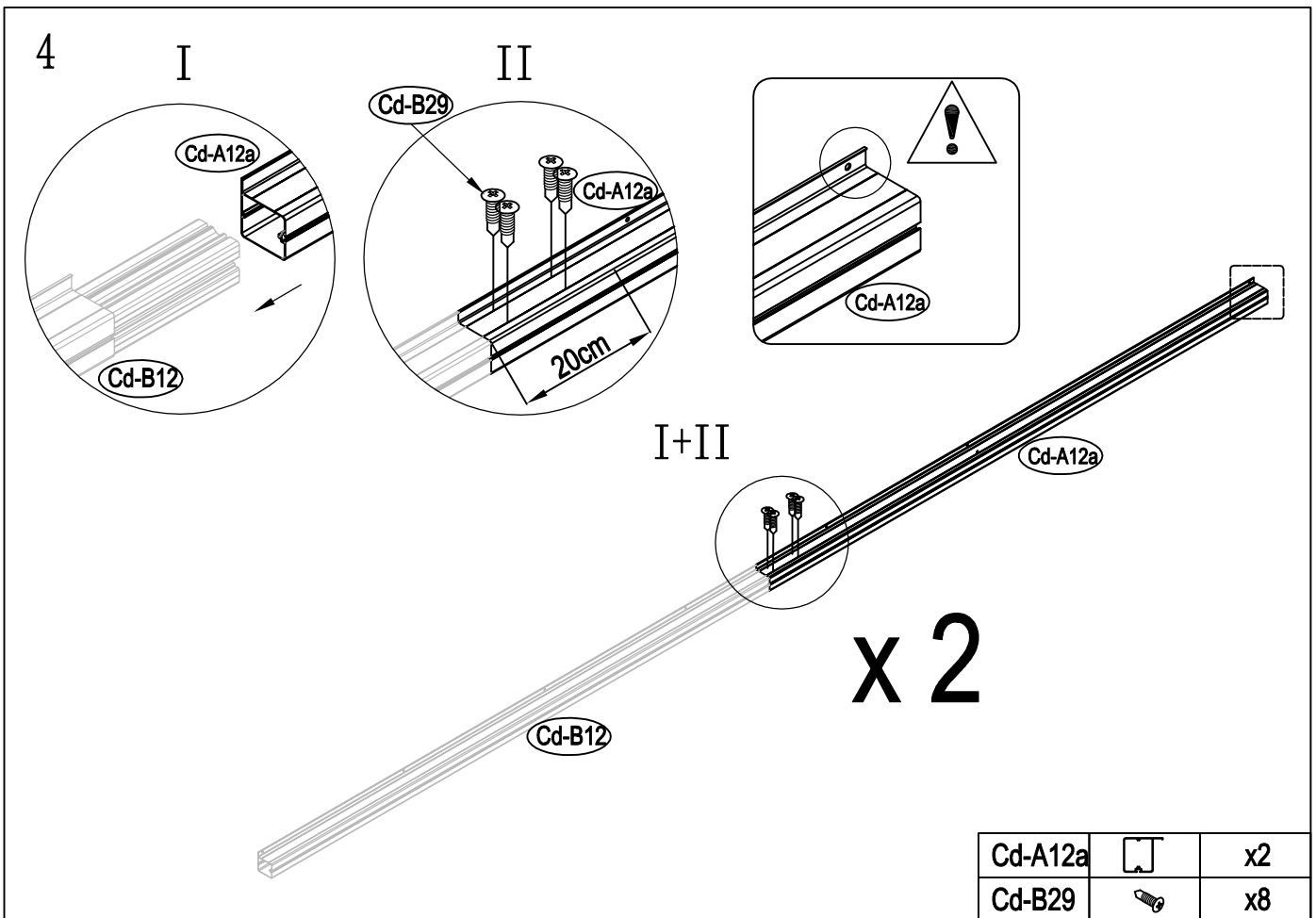
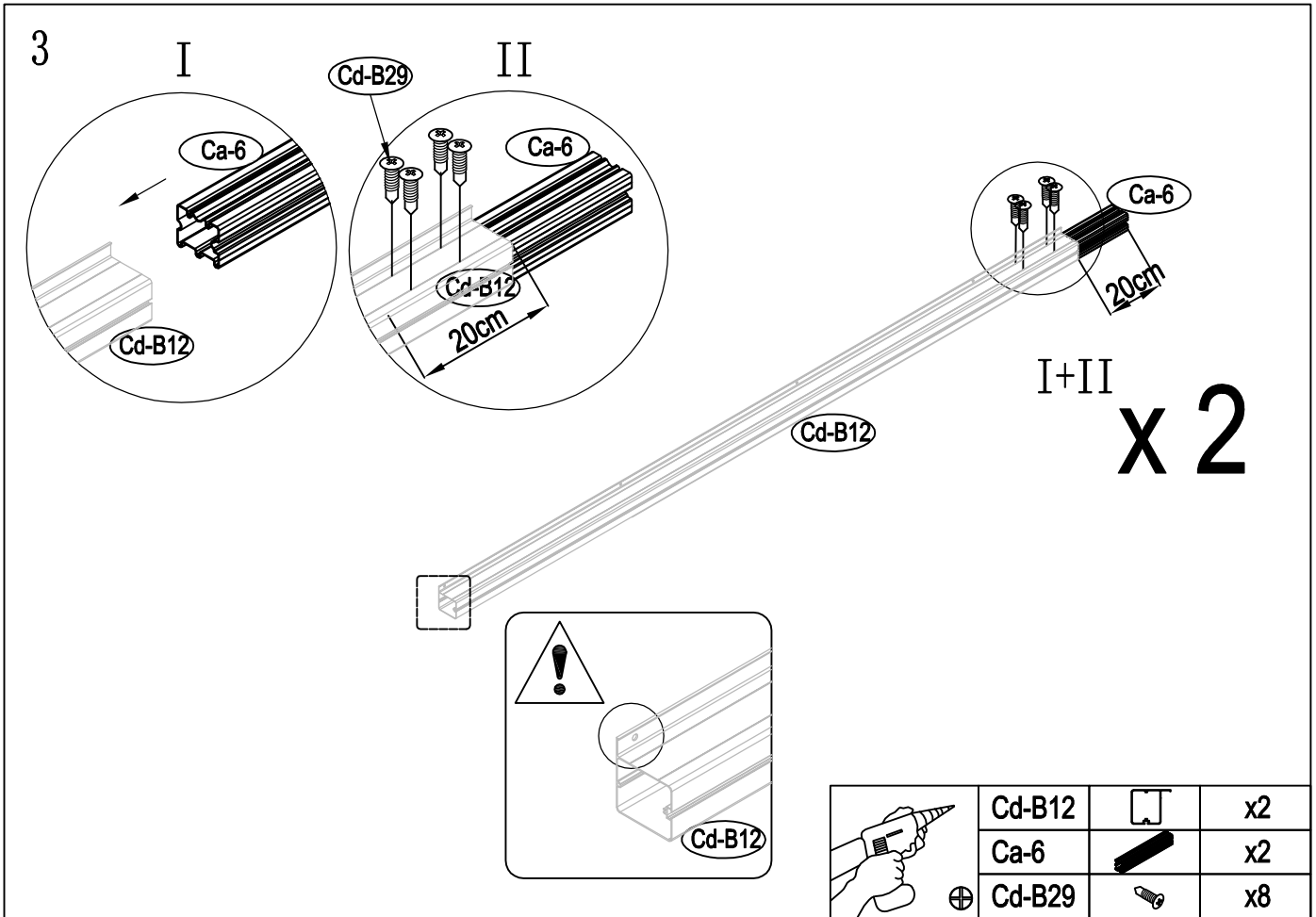


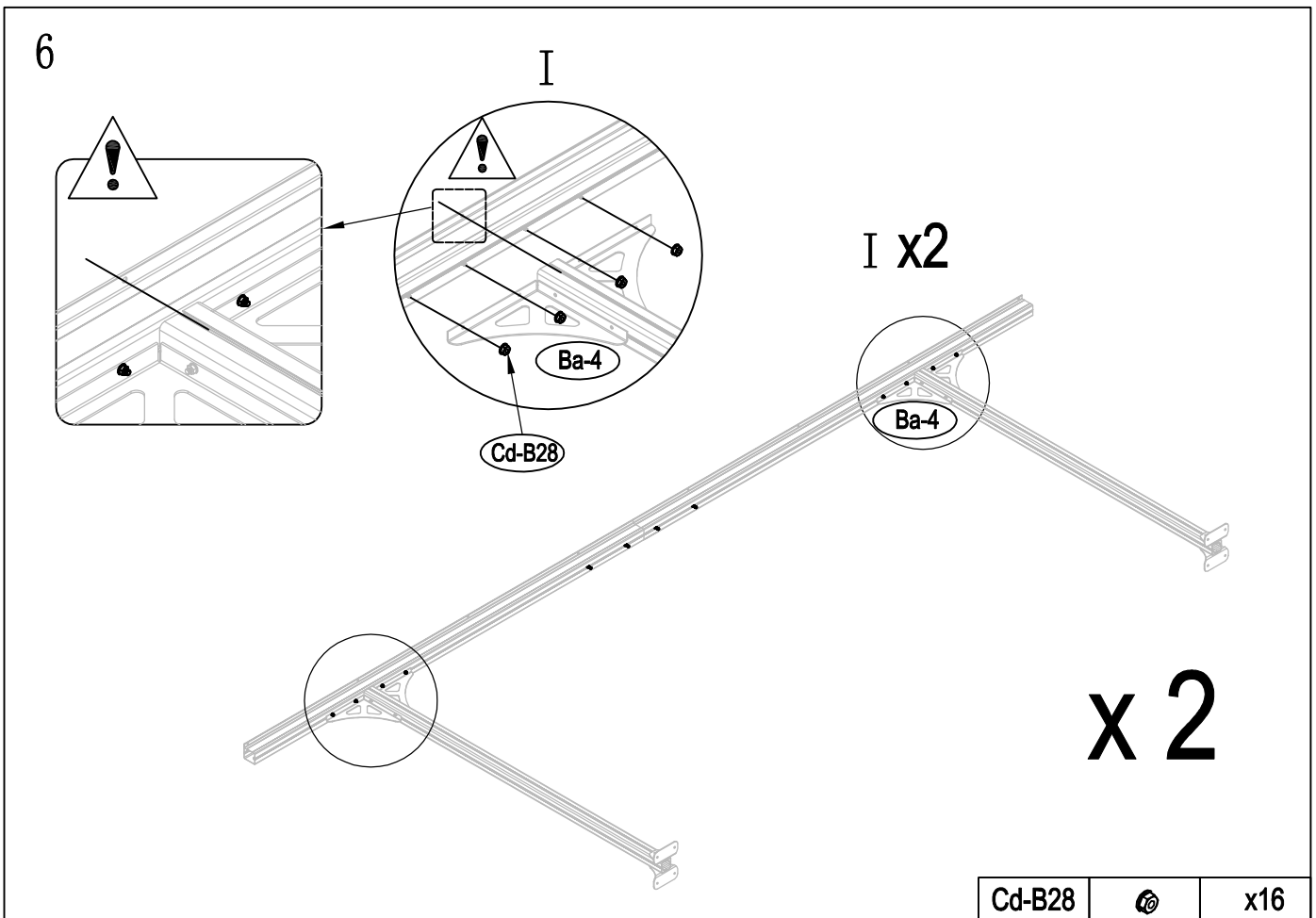
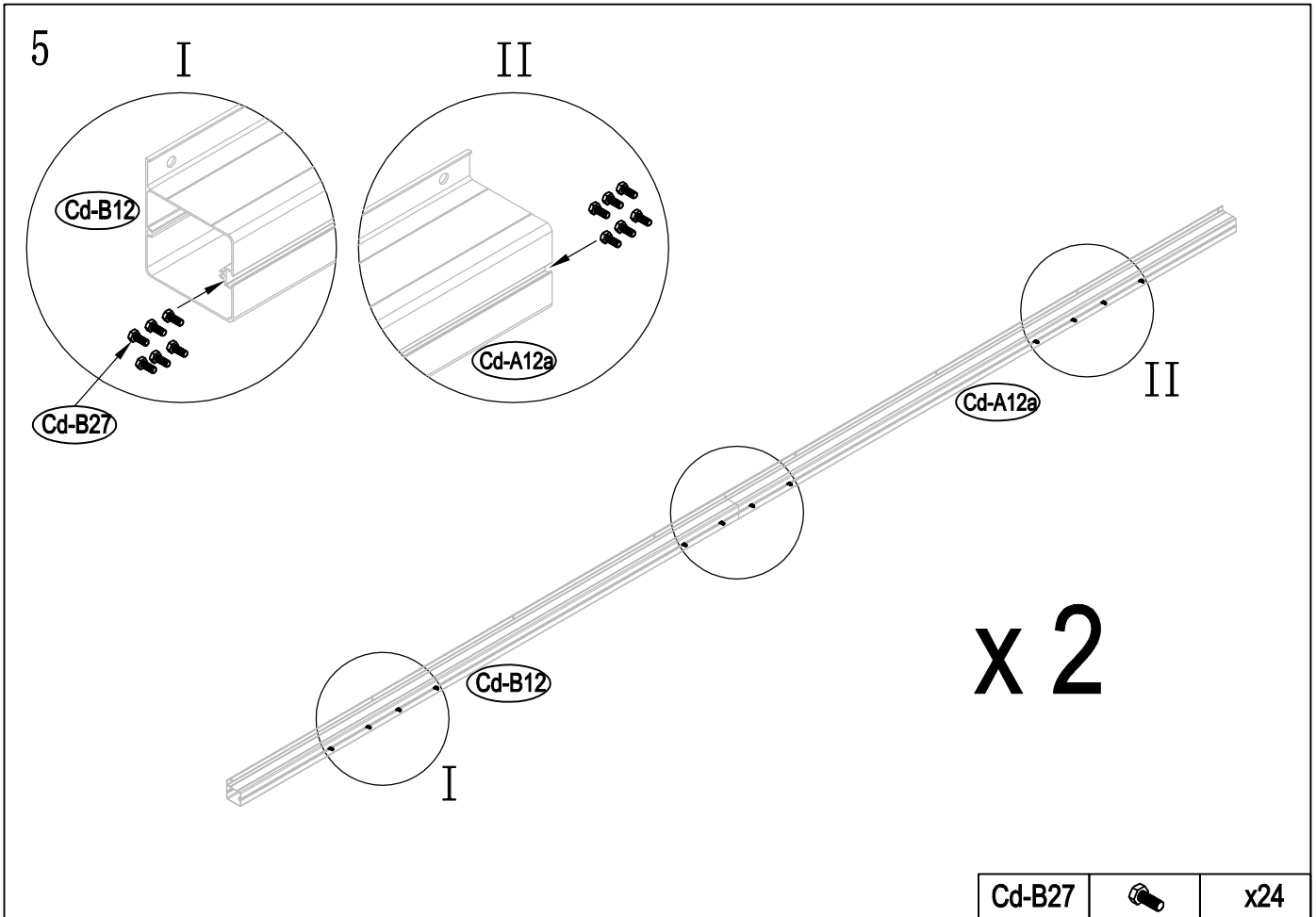








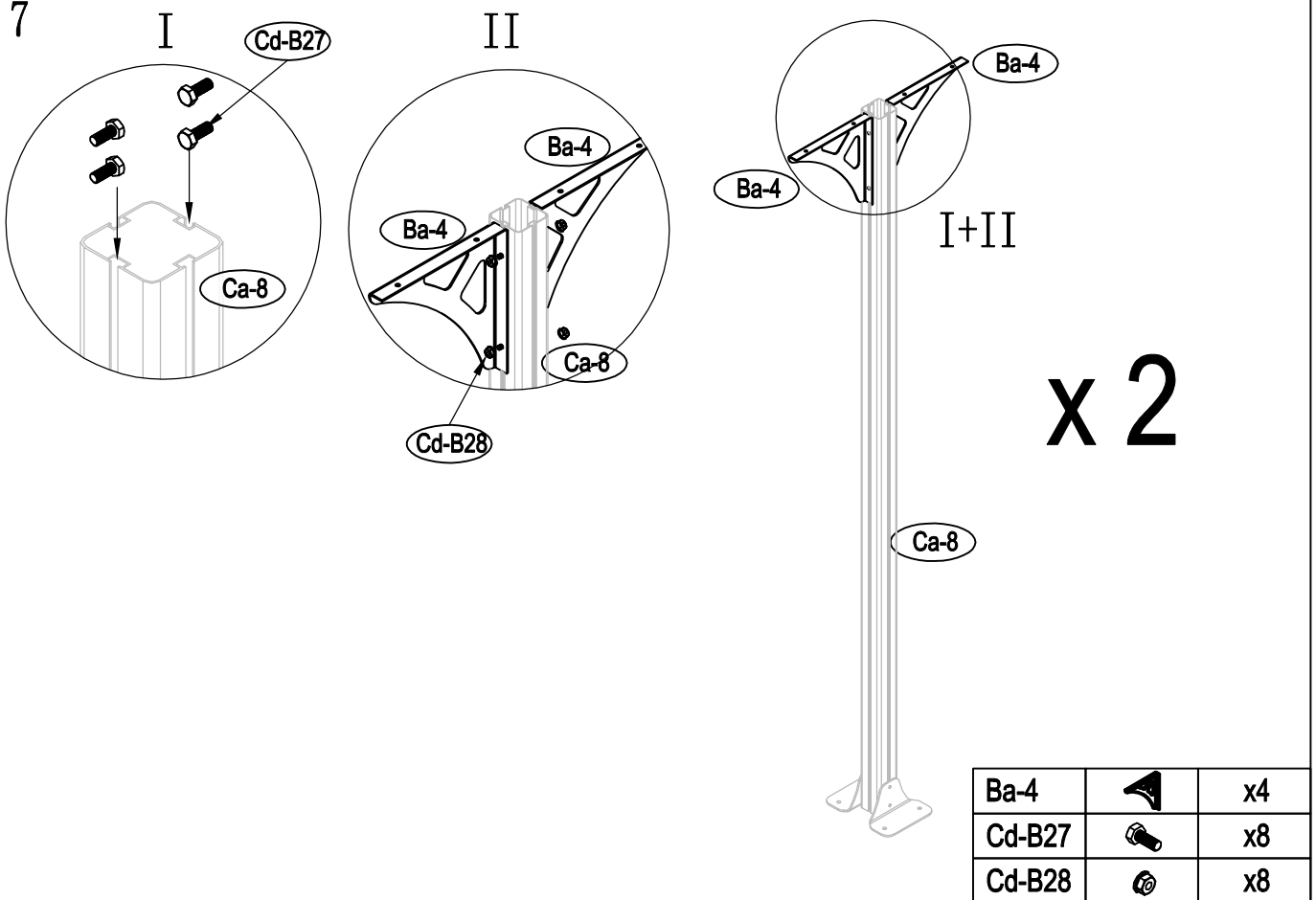







3

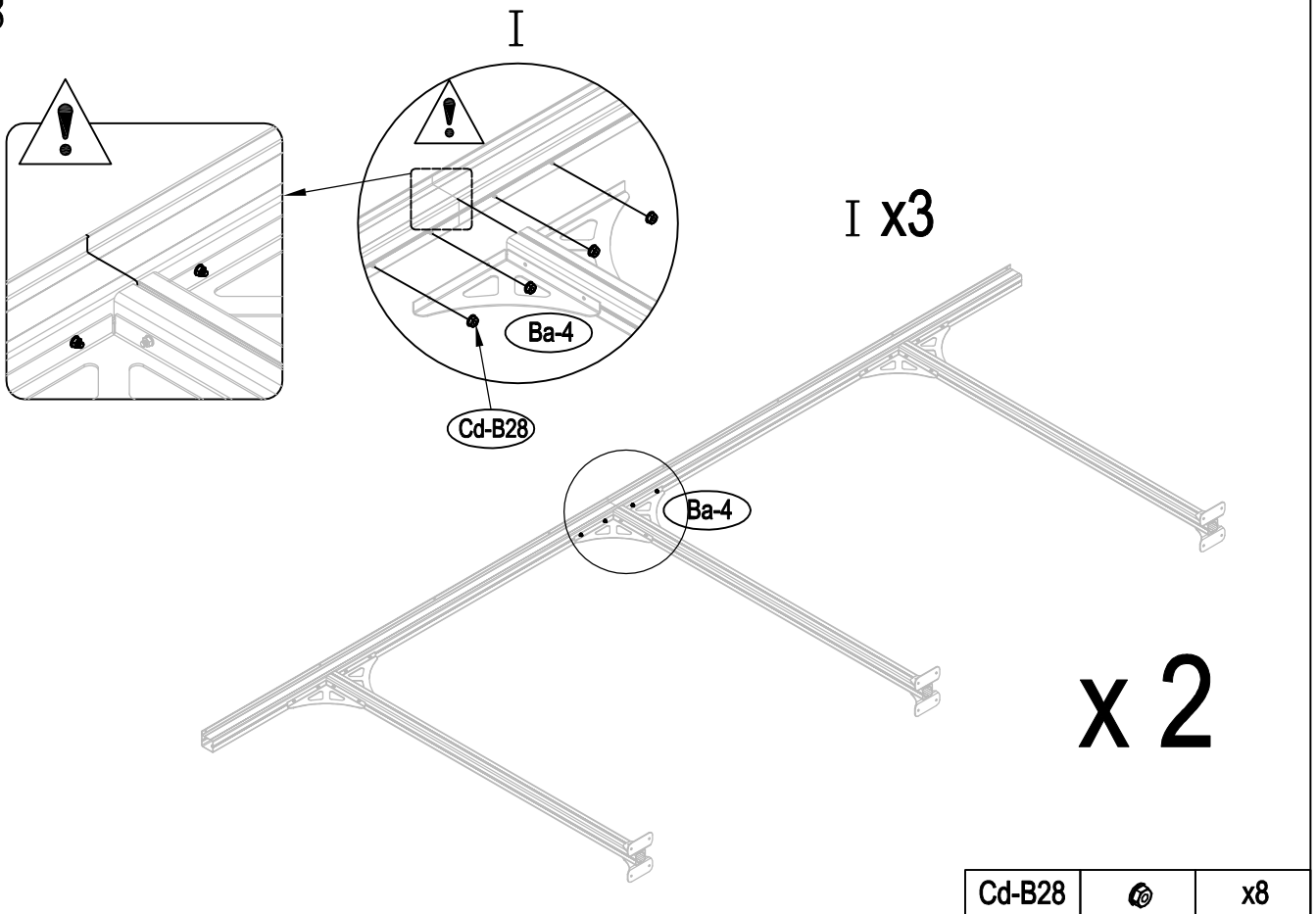


7



Ba-4		x4
Cd-B27		x8
Cd-B28		x8

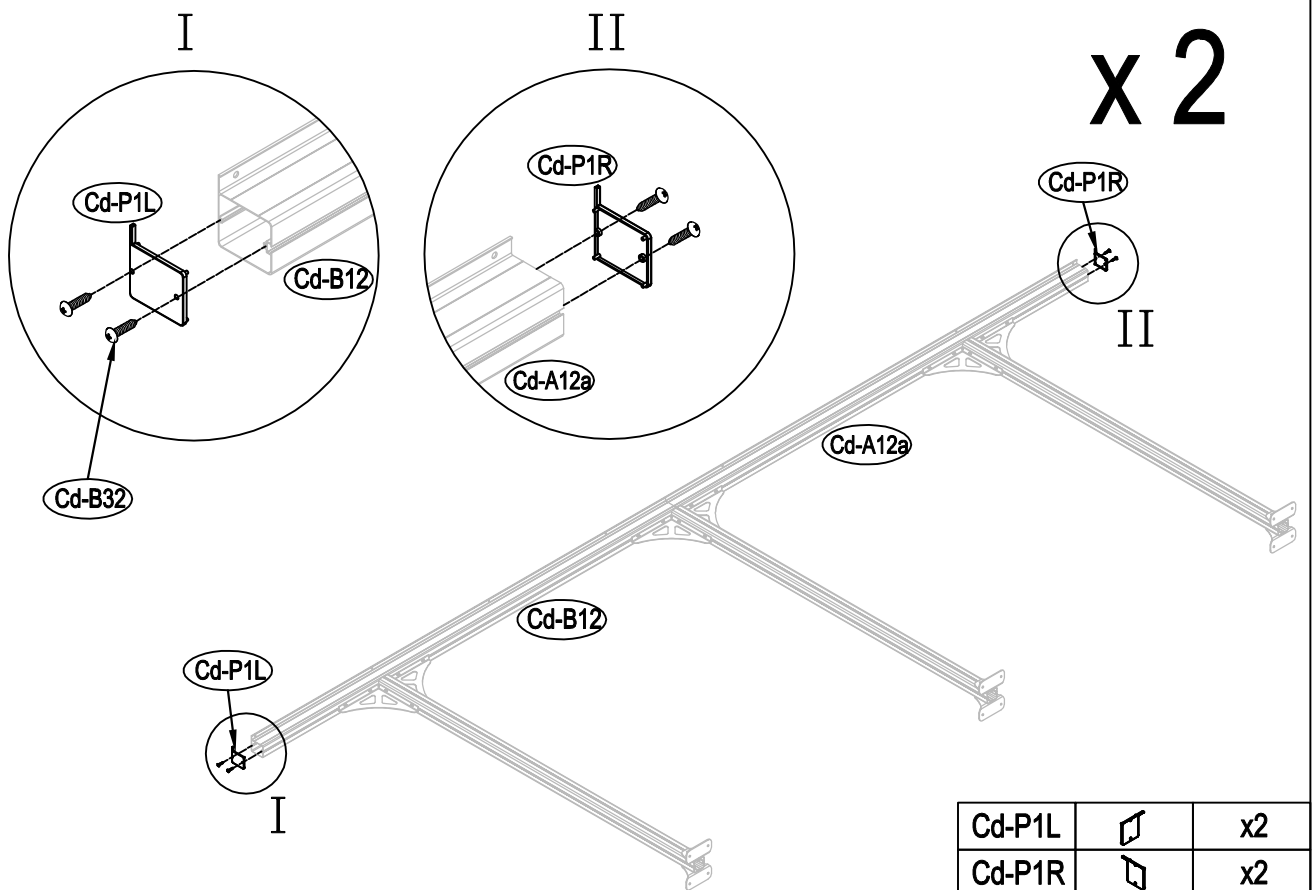
8



Cd-B28		x8
--------	---	----



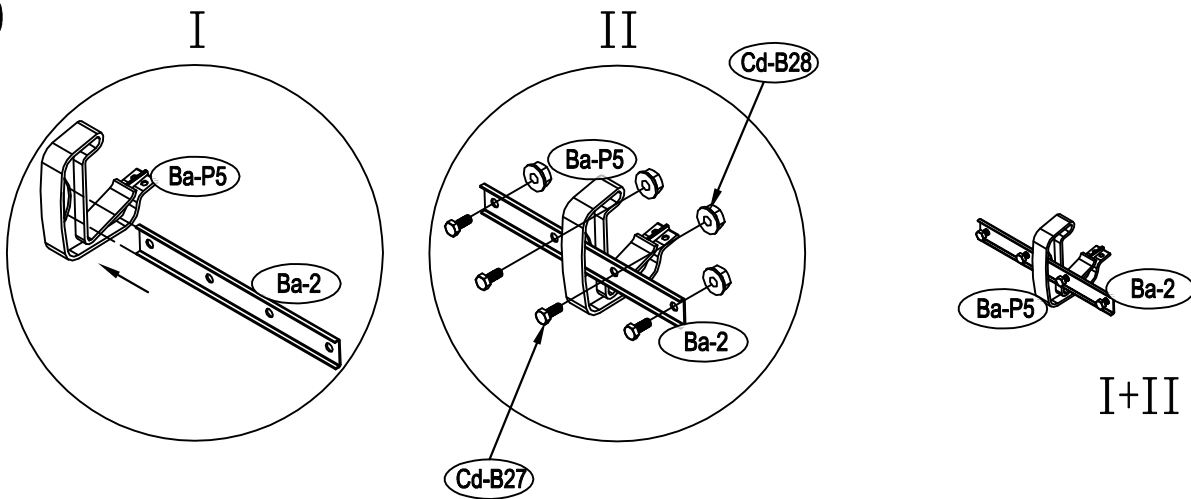
9



x 2

Cd-P1L		x2
Cd-P1R		x2
Cd-B32		x8

10



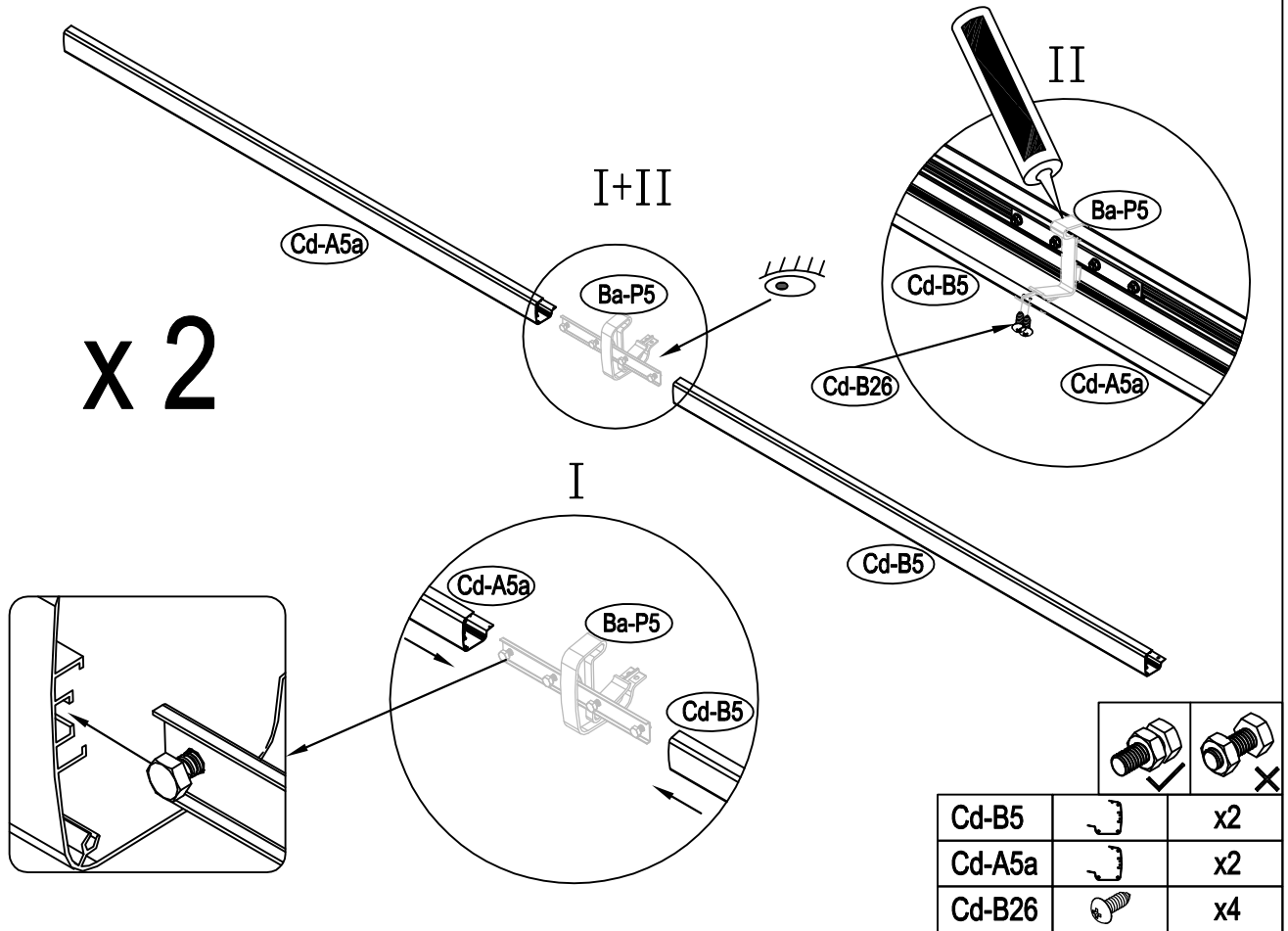
x 2

Ba-2		x2
Ba-P5		x2
Cd-B27		x8
Cd-B28		x8

5

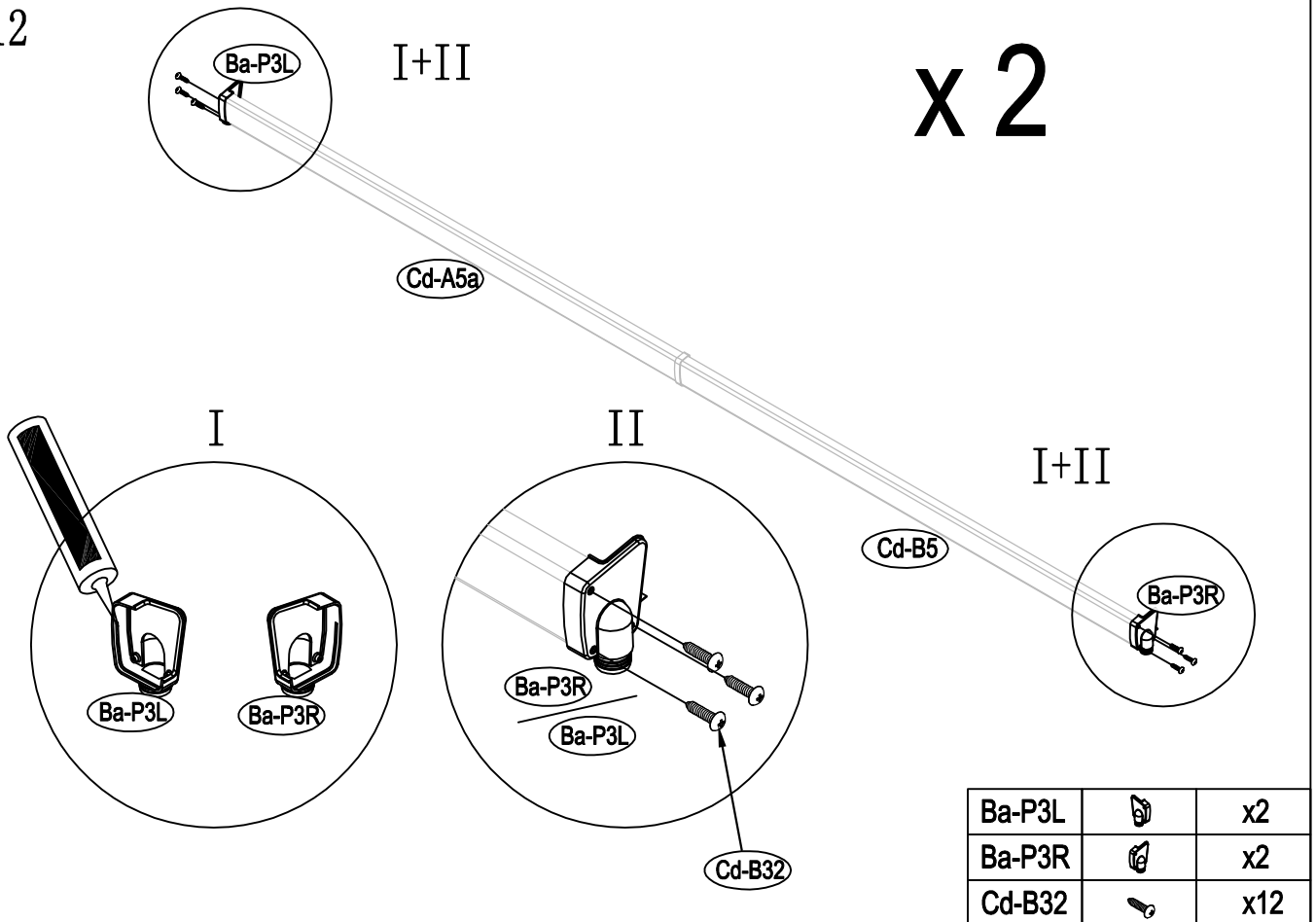


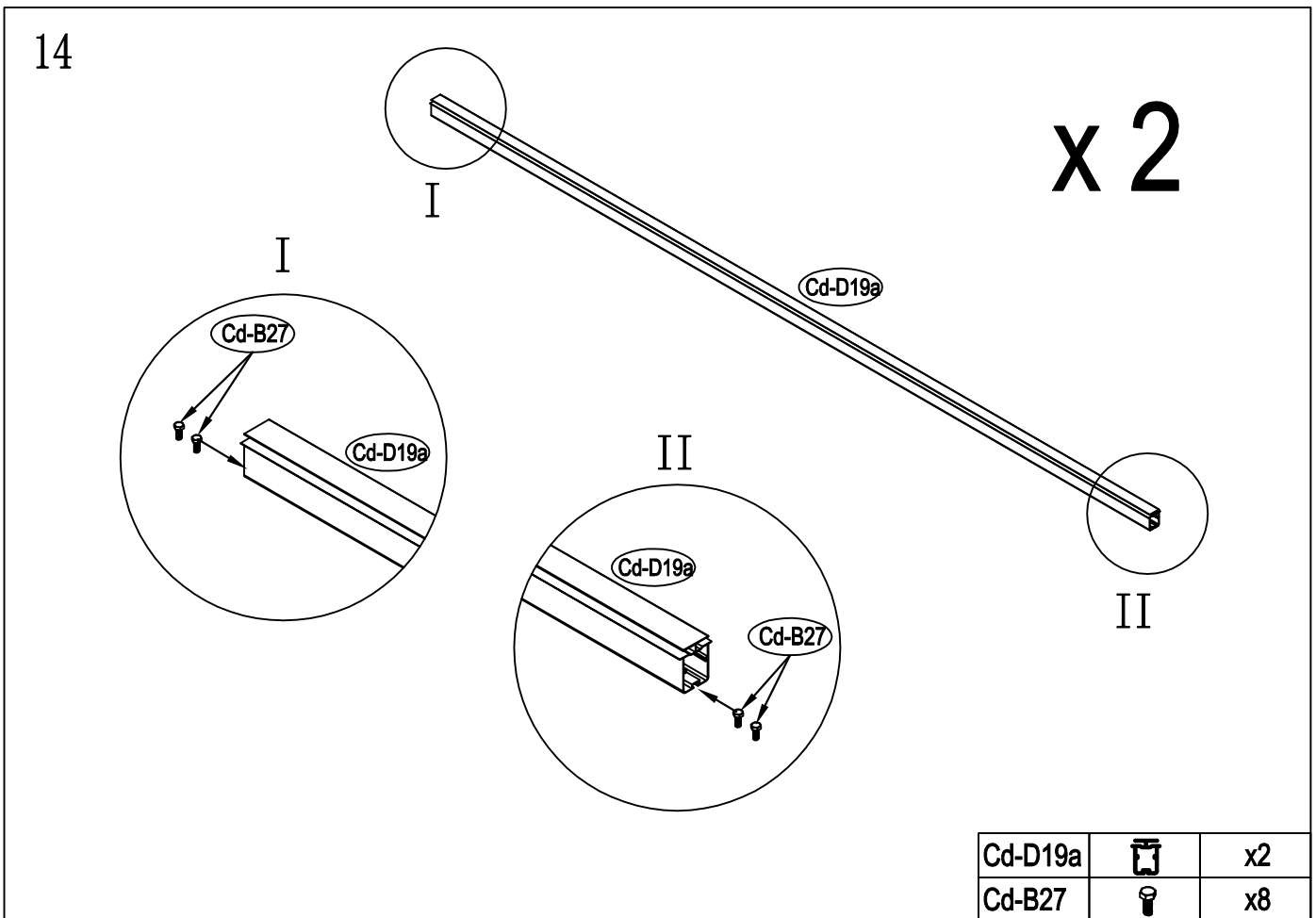
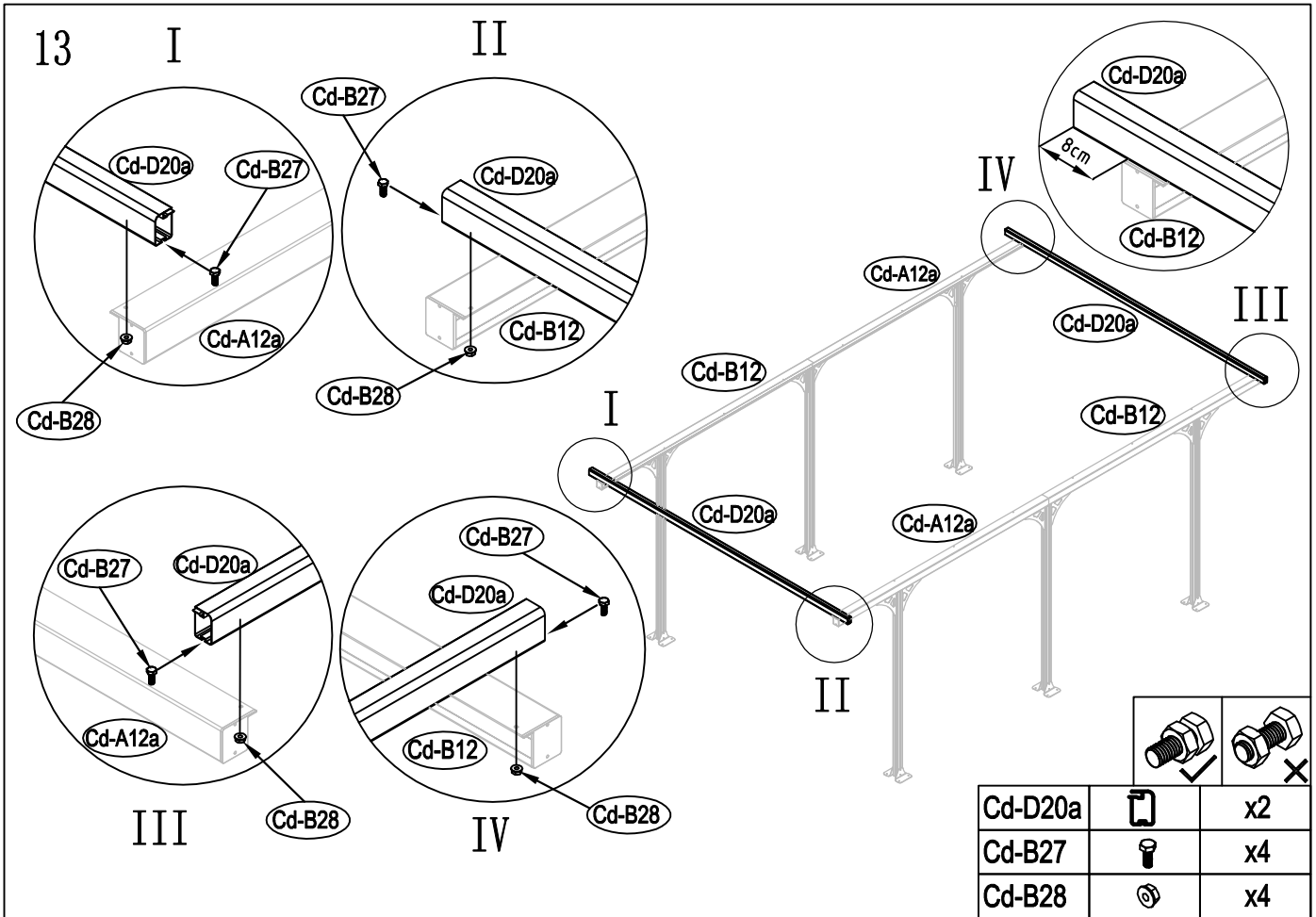
11



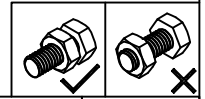
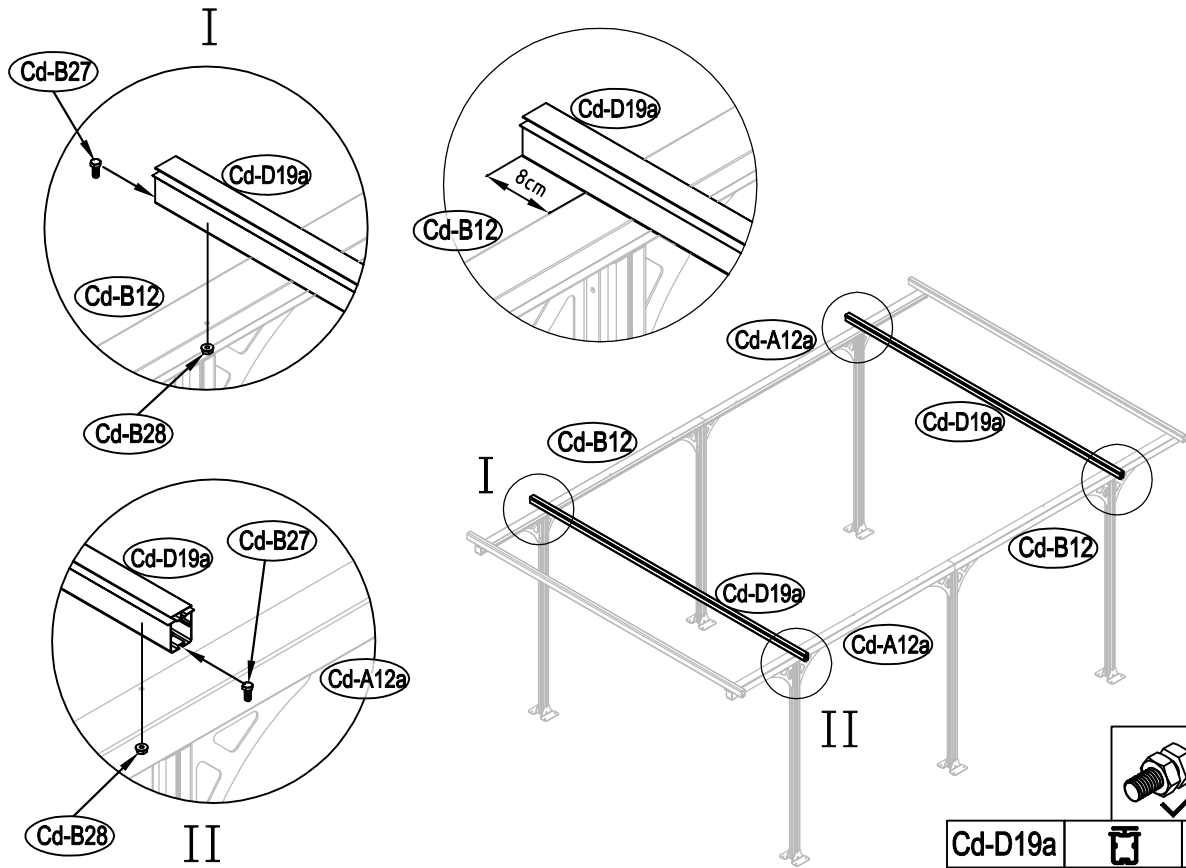
12

x 2



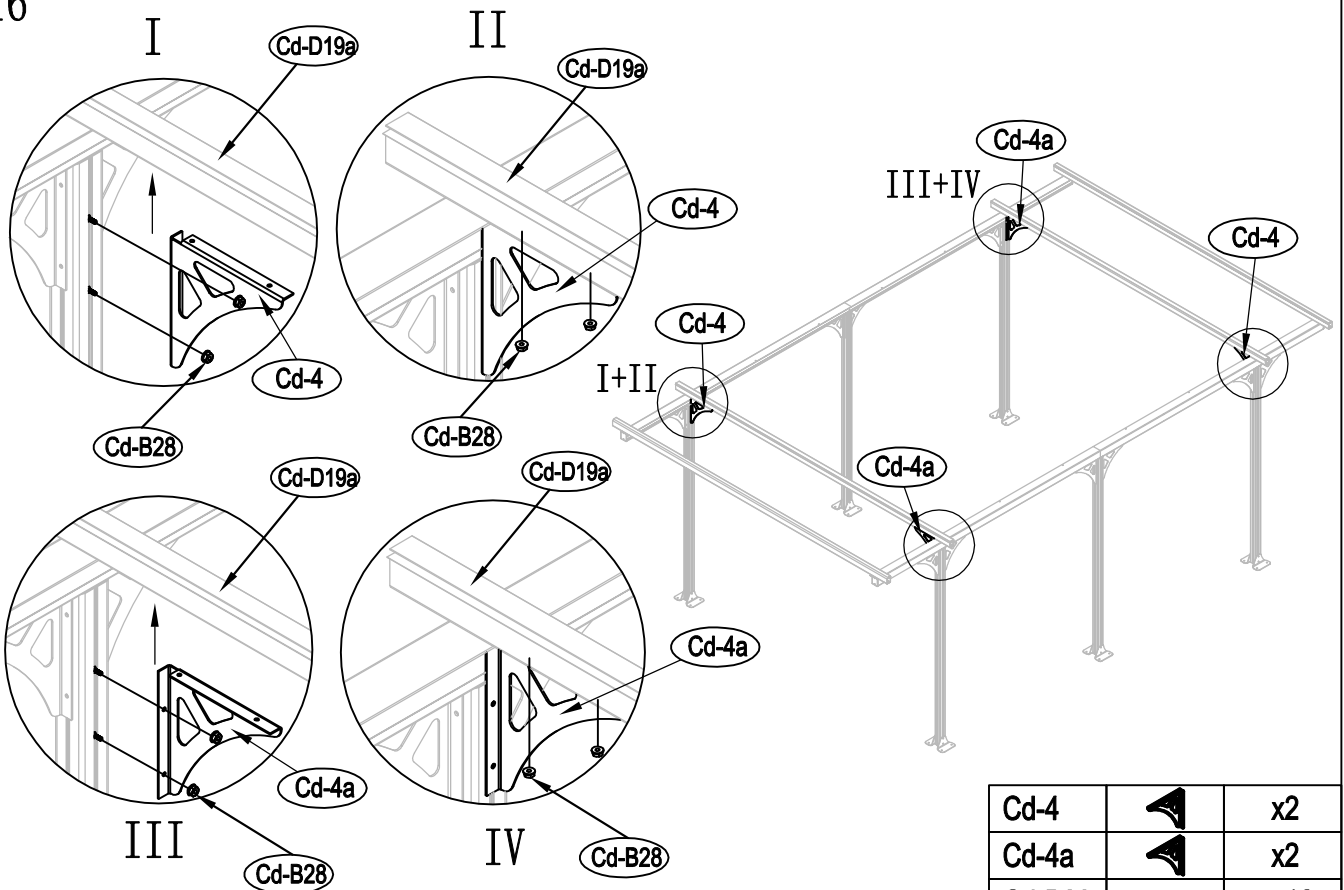


15



Cd-D19a		x2
Cd-B27		x4
Cd-B28		x4

16

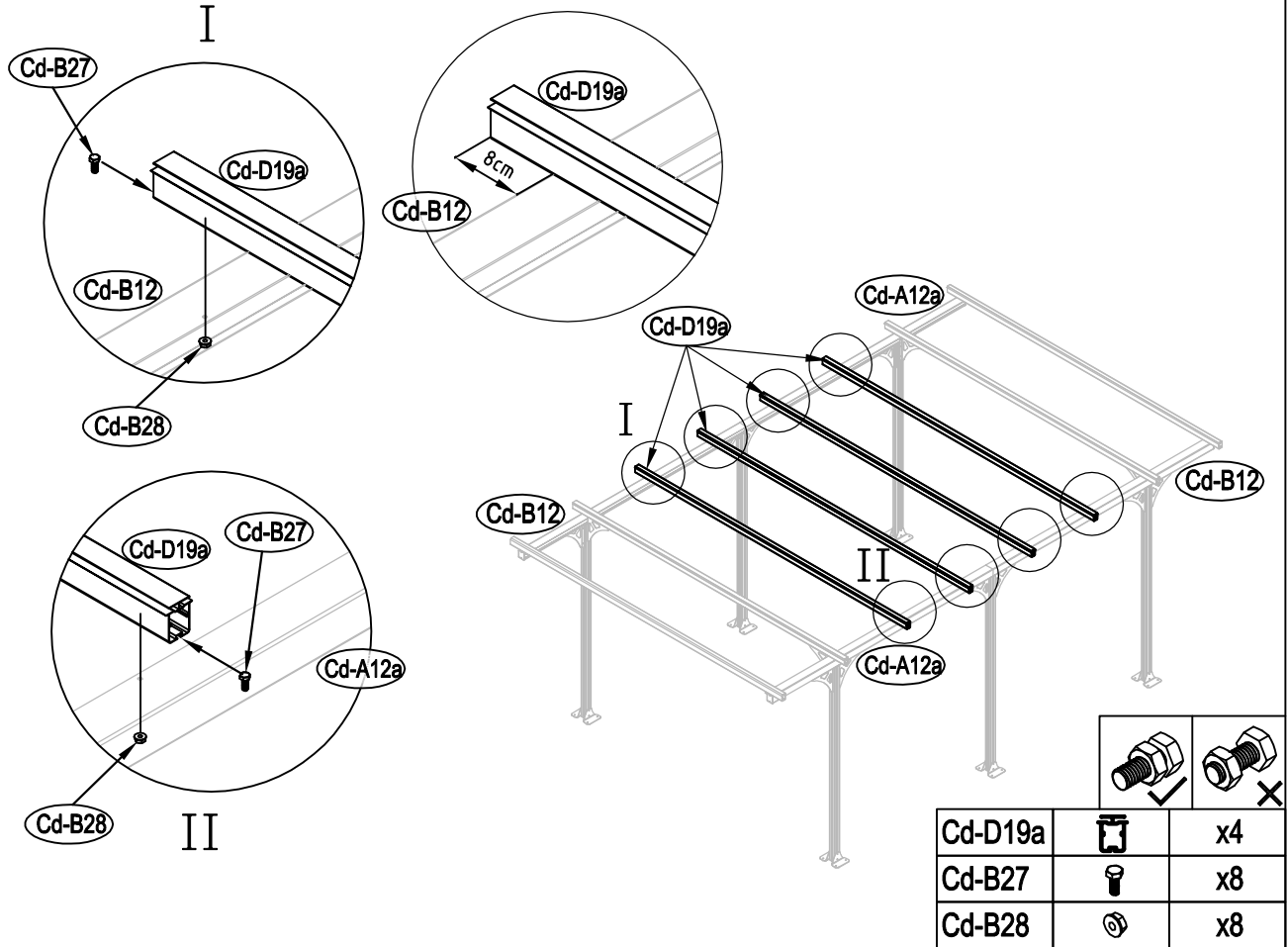


Cd-4		x2
Cd-4a		x2
Cd-B28		x16

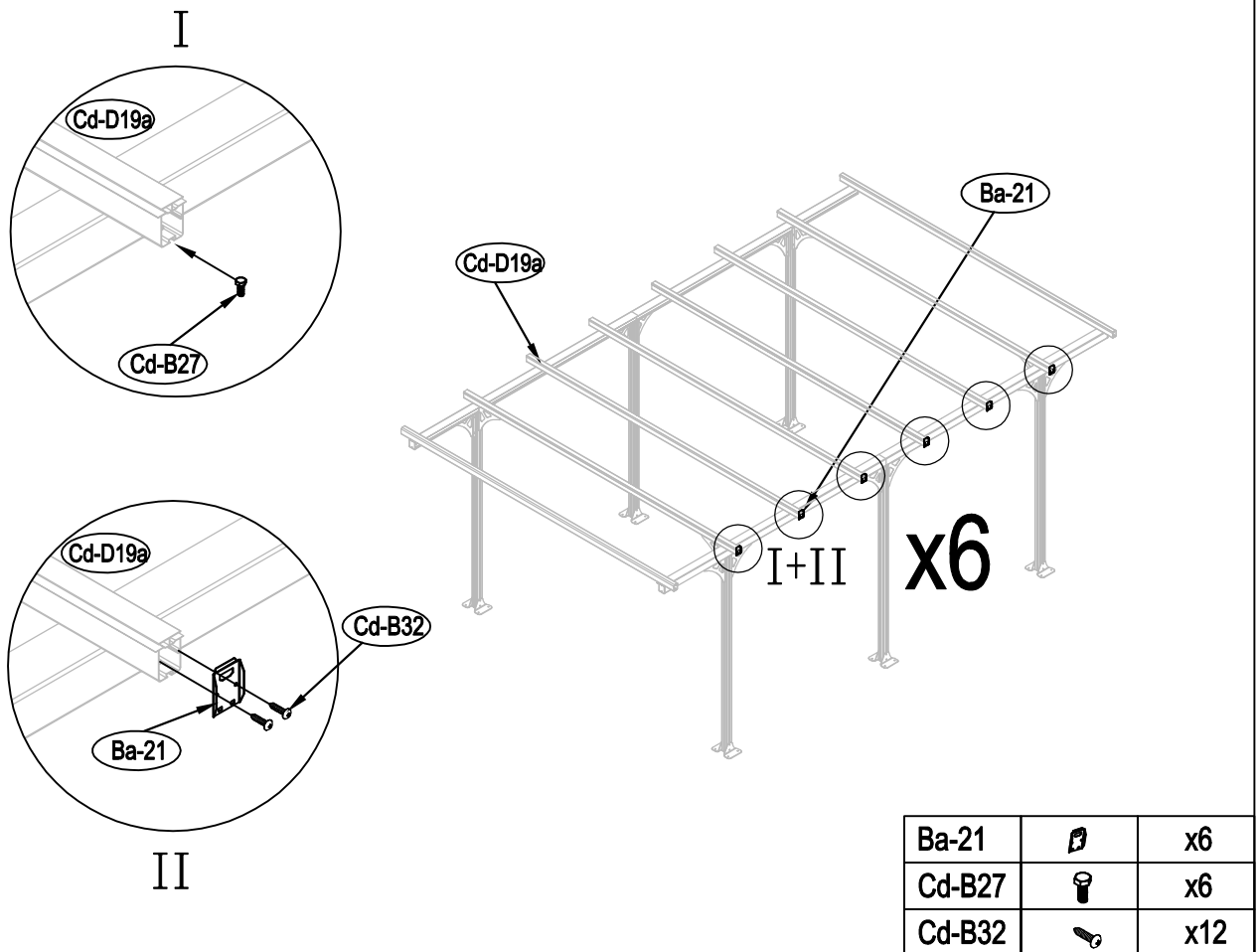




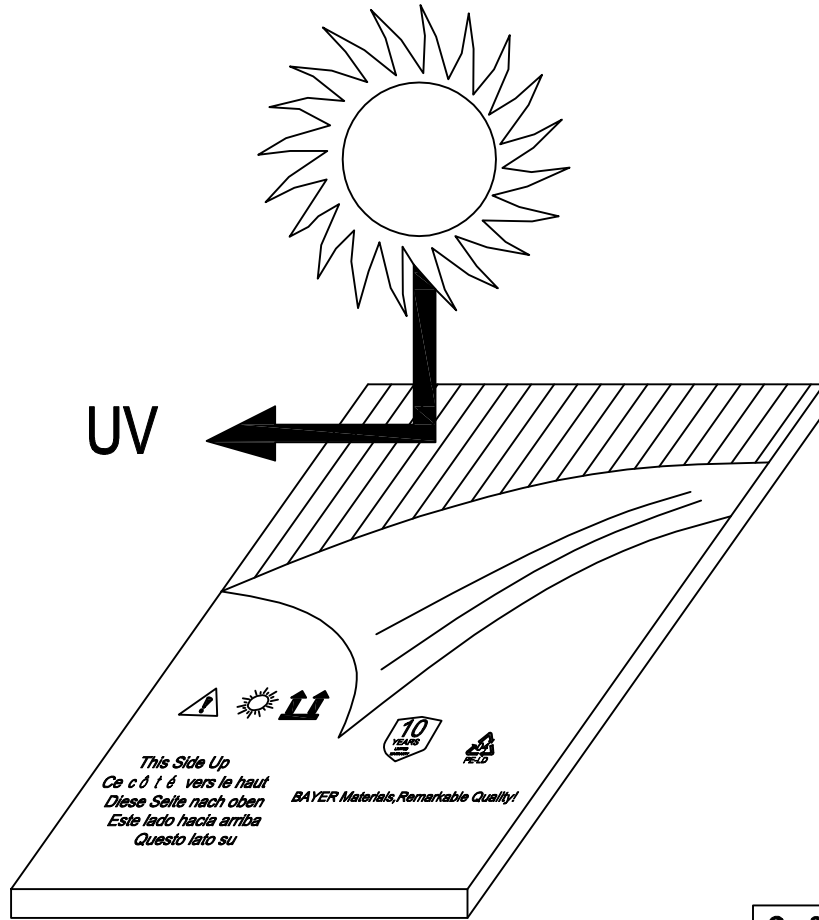
17

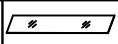


18

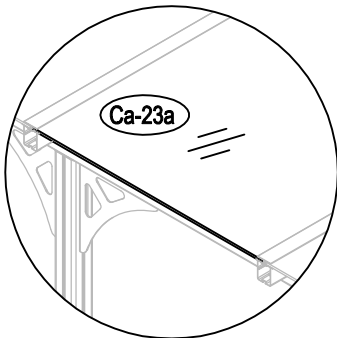
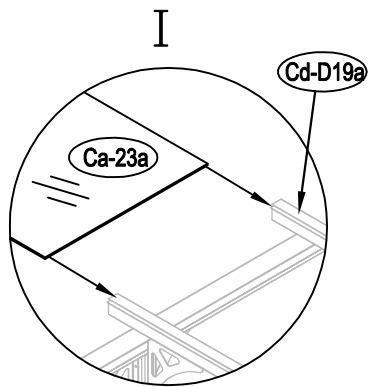


19



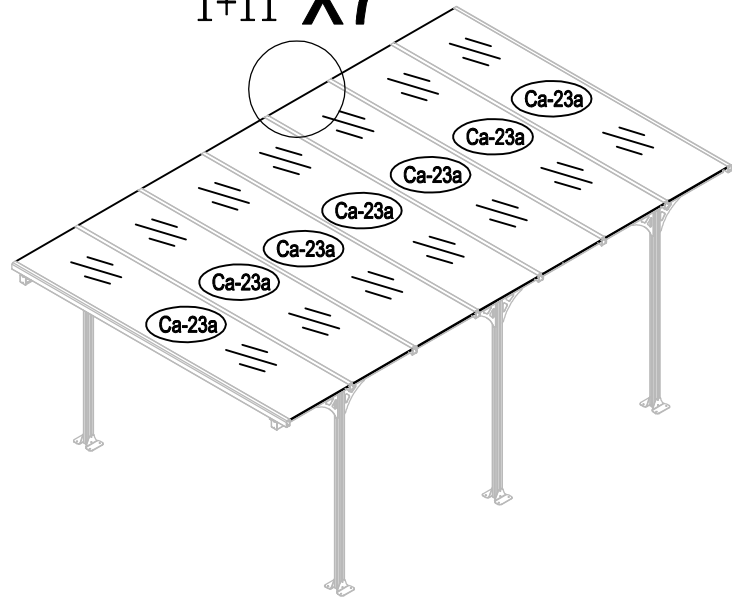
Ca-23a  x7

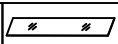
20



II

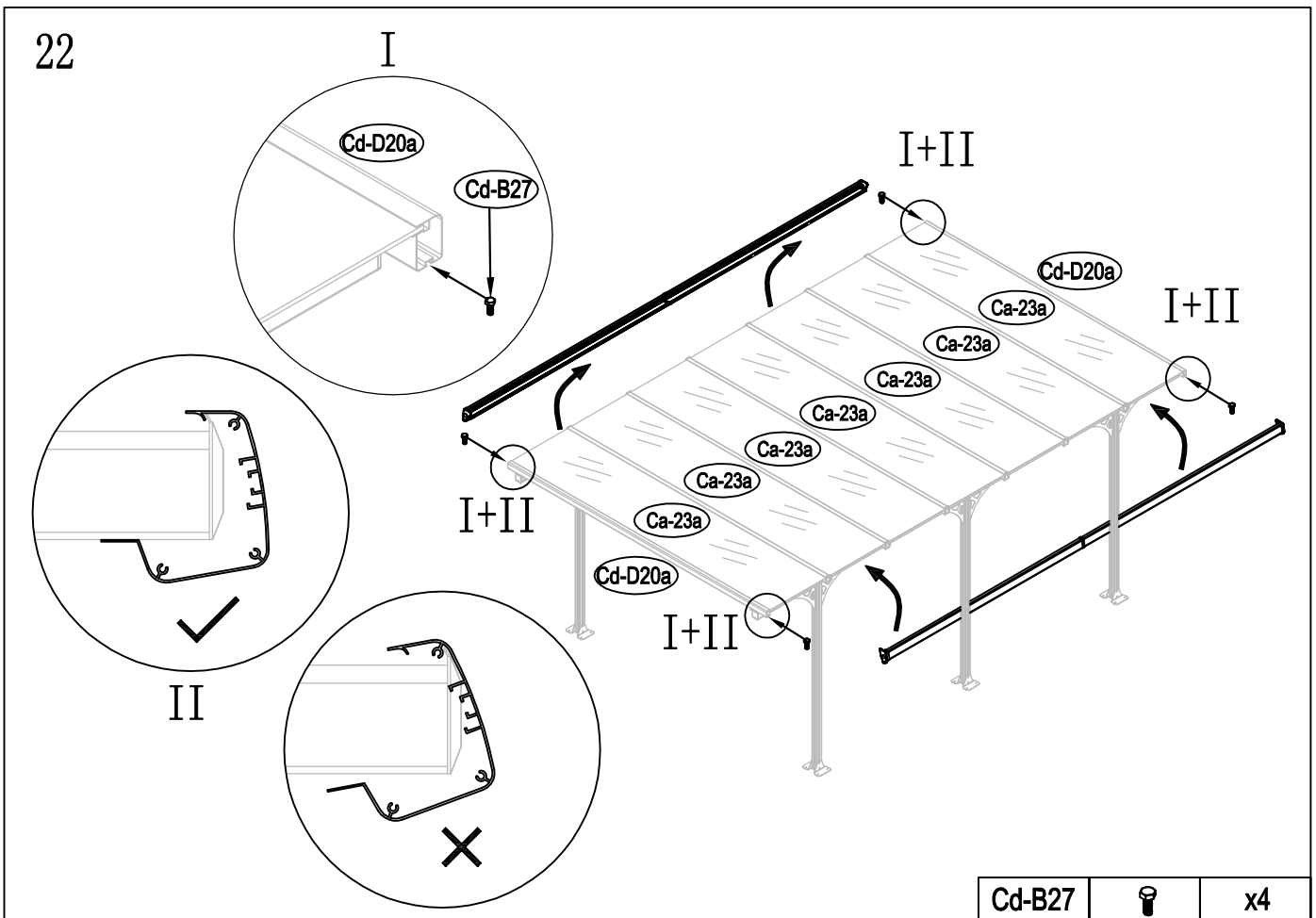
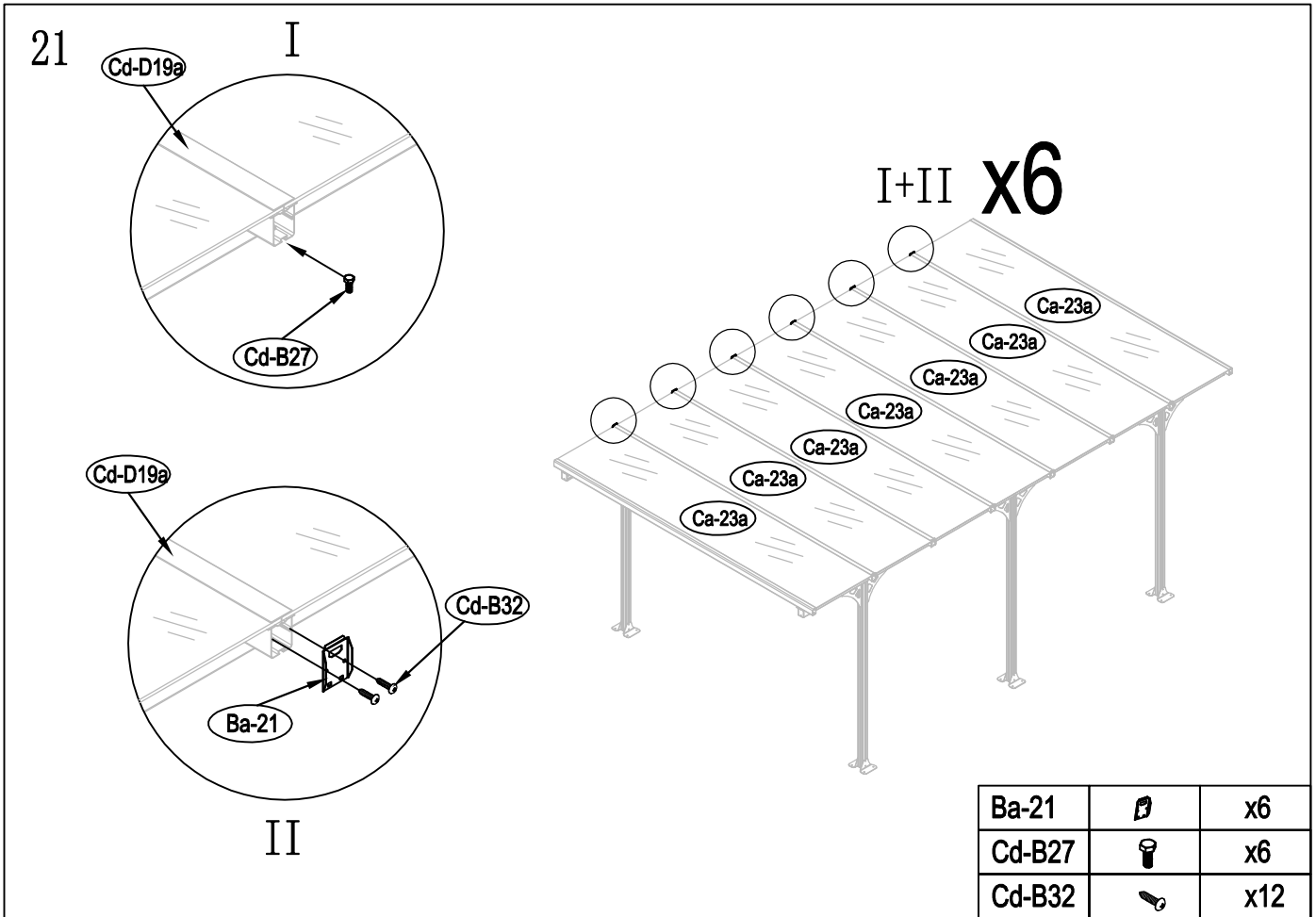
I+II x7



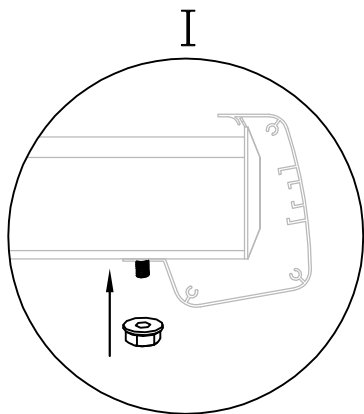
Ca-23a  x7

10

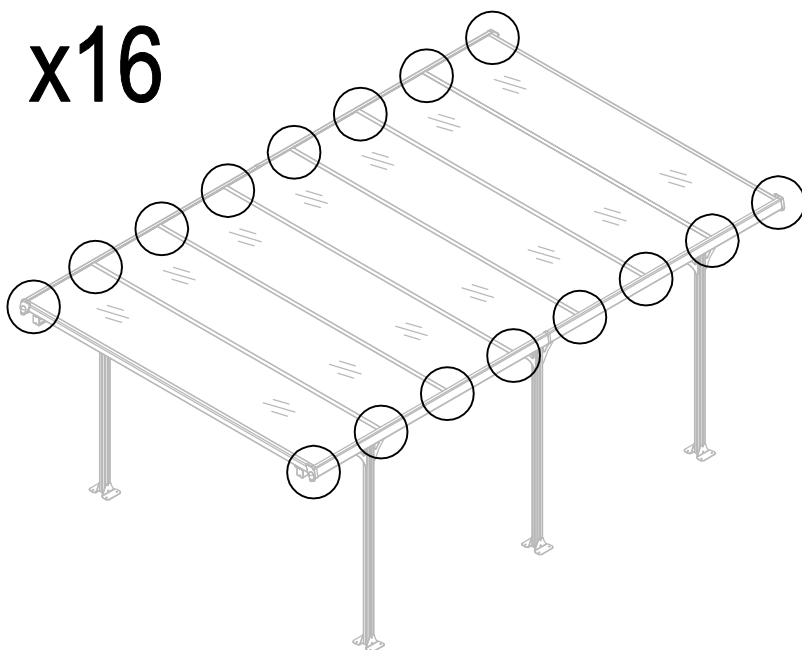




23

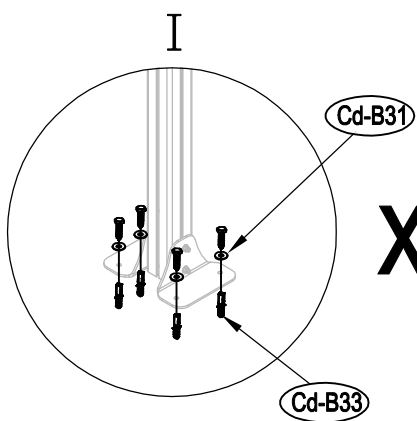
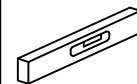


x16

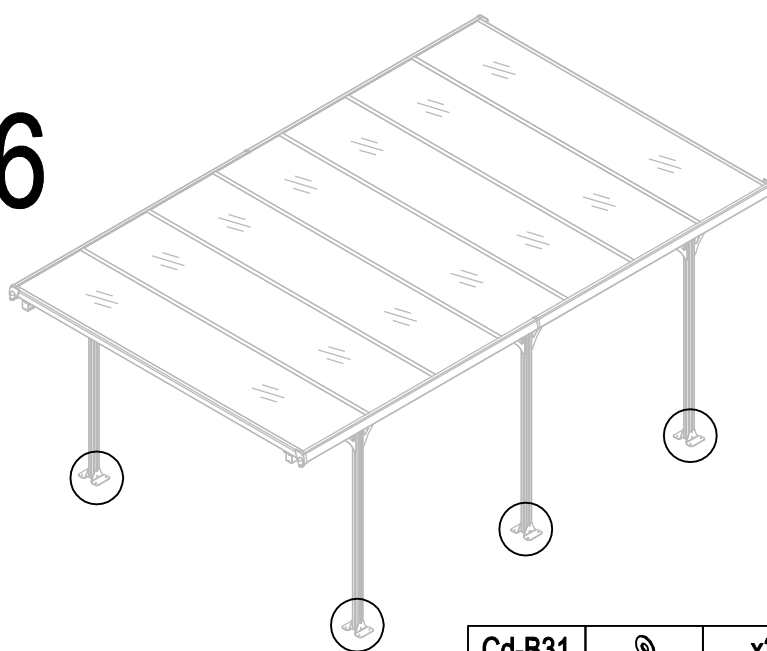


Cd-B28		x16
--------	--	-----

24



x 6



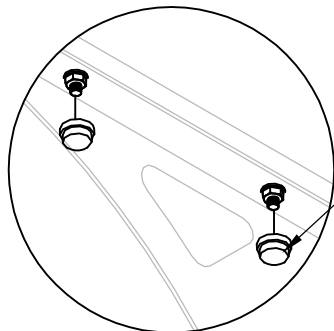
Cd-B31		x24
Cd-B33		x24

12

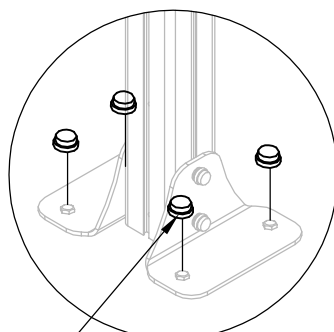


25

I



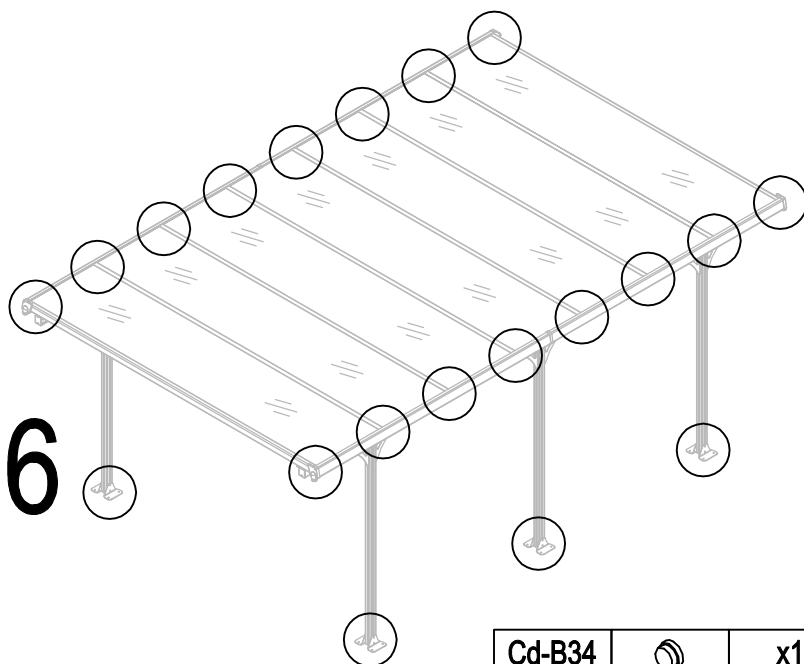
Cd-B34



Cd-B35

II

x 6



Cd-B34		x120
Cd-B35		x24



## Contact information

### Head office:

Dancover A/S  
Lyngevej 16A, Nørre Herlev  
3400 Hillerød  
Denmark

For more information  
please visit:

[www.dancovershop.com](http://www.dancovershop.com)

## National contact

### Denmark:

[denmark@dancover.com](mailto:denmark@dancover.com)

### UK:

[uk@dancover.com](mailto:uk@dancover.com)

### Germany:

[germany@dancover.com](mailto:germany@dancover.com)

### France:

[france@dancover.com](mailto:france@dancover.com)

### Sweden:

[sverige@dancover.com](mailto:sverige@dancover.com)

### Finland:

[suomi@dancover.com](mailto:suomi@dancover.com)

### Poland:

[polska@dancover.com](mailto:polska@dancover.com)

### Luxembourg:

[luxembourg@dancover.com](mailto:luxembourg@dancover.com)

### Portugal:

[portugal@dancover.com](mailto:portugal@dancover.com)

### Spain:

[espana@dancover.com](mailto:espana@dancover.com)

### Italy:

[italia@dancover.com](mailto:italia@dancover.com)

### Switzerland:

[schweiz@dancover.com](mailto:schweiz@dancover.com)

### Austria:

[austria@dancover.com](mailto:austria@dancover.com)

### Norway:

[norge@dancover.com](mailto:norge@dancover.com)

### Nederland:

[nederland@dancover.com](mailto:nederland@dancover.com)

### Ireland:

[ireland@dancover.com](mailto:ireland@dancover.com)

### Belgium:

[belgique@dancover.com](mailto:belgique@dancover.com)