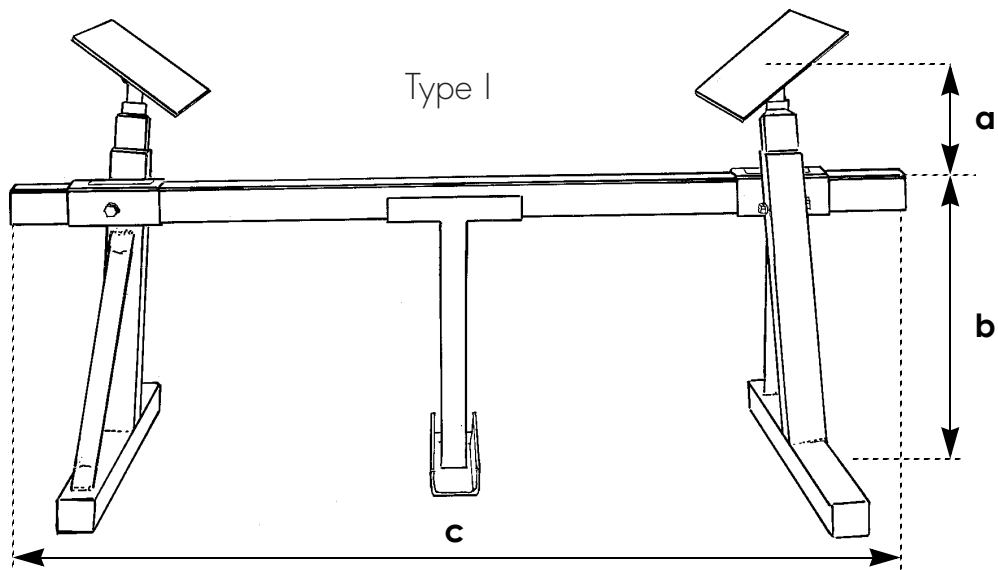
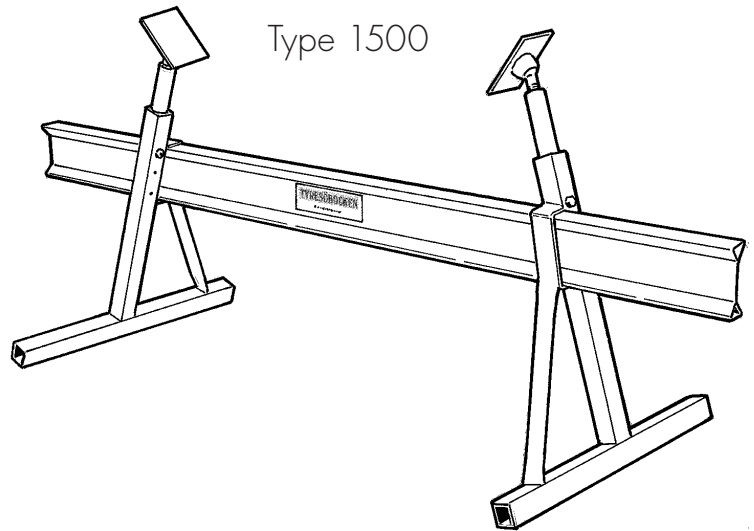
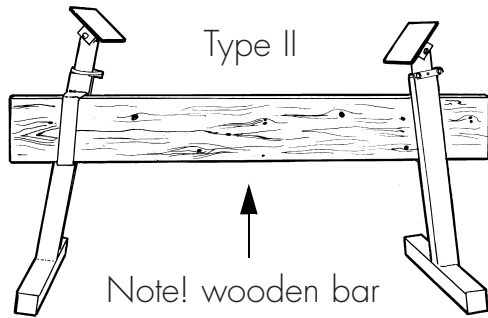


DANCOVER[®]



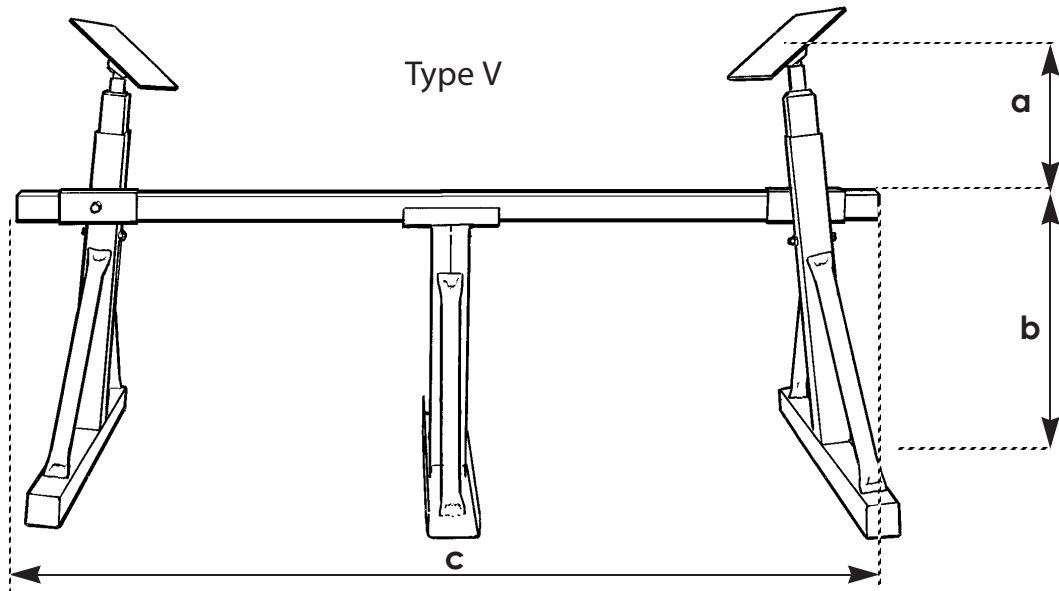
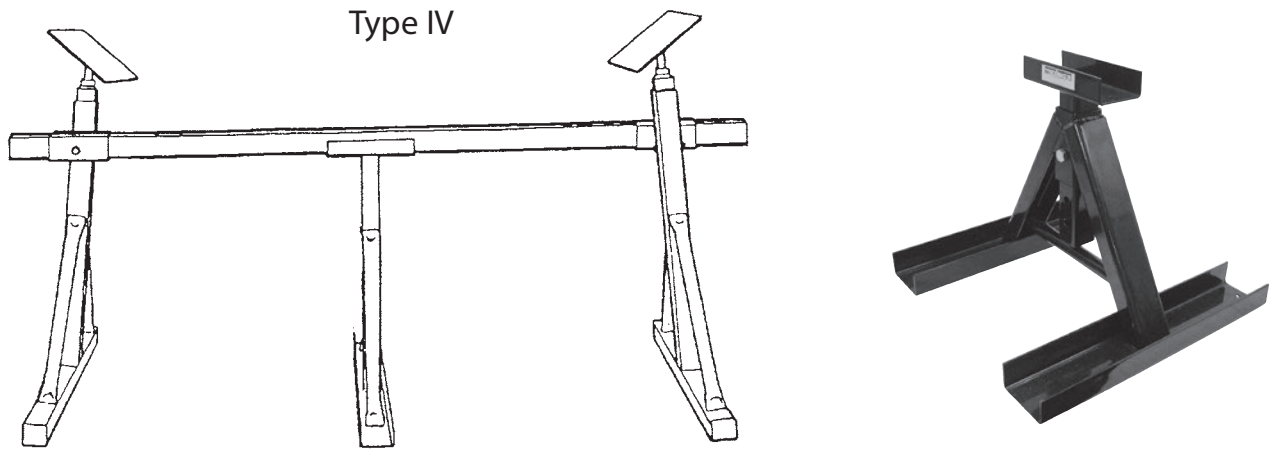
Manual for
Boat stand
Steel- and woodbar

SteelBarStand



Type	Max load (kg)	Height stand (a) (m)	Height bar (b) (m)	Width (c) (m)	Weight (approx. kg)
II	500	0,1-0,45	0,5	2,0	14
1500	1500	0,2-0,65	0,6	2,0	34
I	5000	0,2-0,7	0,6	2,0	50
				2,5	54
				3,0	57

SteelBarStand



Type	Max load (kg)	Height stand (a) (m)	Height bar (b) (m)	Width (c) (m)	Weight (approx. kg)
IV	5000	0,2–0,85	0,75	2,5	80
				3,0	84
				3,5	87
				4,0	91
V	10000	0,4–1,05	0,75	3,0	110
				3,5	114
				4,0	118
				5,0	126
Stem bending	5000	0,50–0,65	–	–	20

SteelBarStand

General recommendations:

The choice of bar stand size should be based on the total weight of the boat and on the weight distribution. Be sure to find out where the engine is placed.

Boats with AQ installations are always stern-heavy. For single engine installations the weight distribution should be approximately 30/70 (stem/stern) as a rough estimation.

Outboard motorboats tend to have a slightly better weight distribution since the motor is not usually as heavy as a corresponding AQ.

Note! The weight of the boat must include fuel, (water), supplementary equipment etc. Boat builders generally specify the weight of an empty boat. A fully equipped boat is approximately 20% heavier.

When jacking up the boat 2 stands are always needed (bow + stern) The width of the bar stand should be about equal to the beam of the boat.

If in doubt – consult the manufacturer.

Type of BarStand (Bow + Stern)		Weight distribution stem/stern (%)	Total weight (ton)
Bow	Stern		
Type II	Type II	30/70	max 0,7
Type II	Type II	50/50	max 1,0
Type 1500	Type 1500	30/70	max 2,0
Type 1500	Type 1500	50/50	max 3,0
Type 1500	Type I	30/70	max 4,0
Type I	Type I	50/50	max 10
Type IV	Type IV	50/50	max 10
Type IV	Type V	30/70	max 15
Type V	Type V	50/50	max 20

Contact information

Head office:

Dancover A/S
Nordre Strandvej 119 G
3150 Hellebæk
Denmark

For more information
please visit:
www.dancovershop.com

National contact

Denmark:

denmark@dancover.com

UK:

uk@dancover.com

Germany:

germany@dancover.com

France:

france@dancover.com

Sweden:

sverige@dancover.com

Finland:

suomi@dancover.com

Poland:

polska@dancover.com

Luxembourg:

luxembourg@dancover.com

Spain:

espana@dancover.com

Italy:

italia@dancover.com

Switzerland:

schweiz@dancover.com

Austria:

austria@dancover.com

Norway:

norge@dancover.com

Nederland:

nederland@dancover.com

Ireland:

ireland@dancover.com

Belgium:

belgique@dancover.com