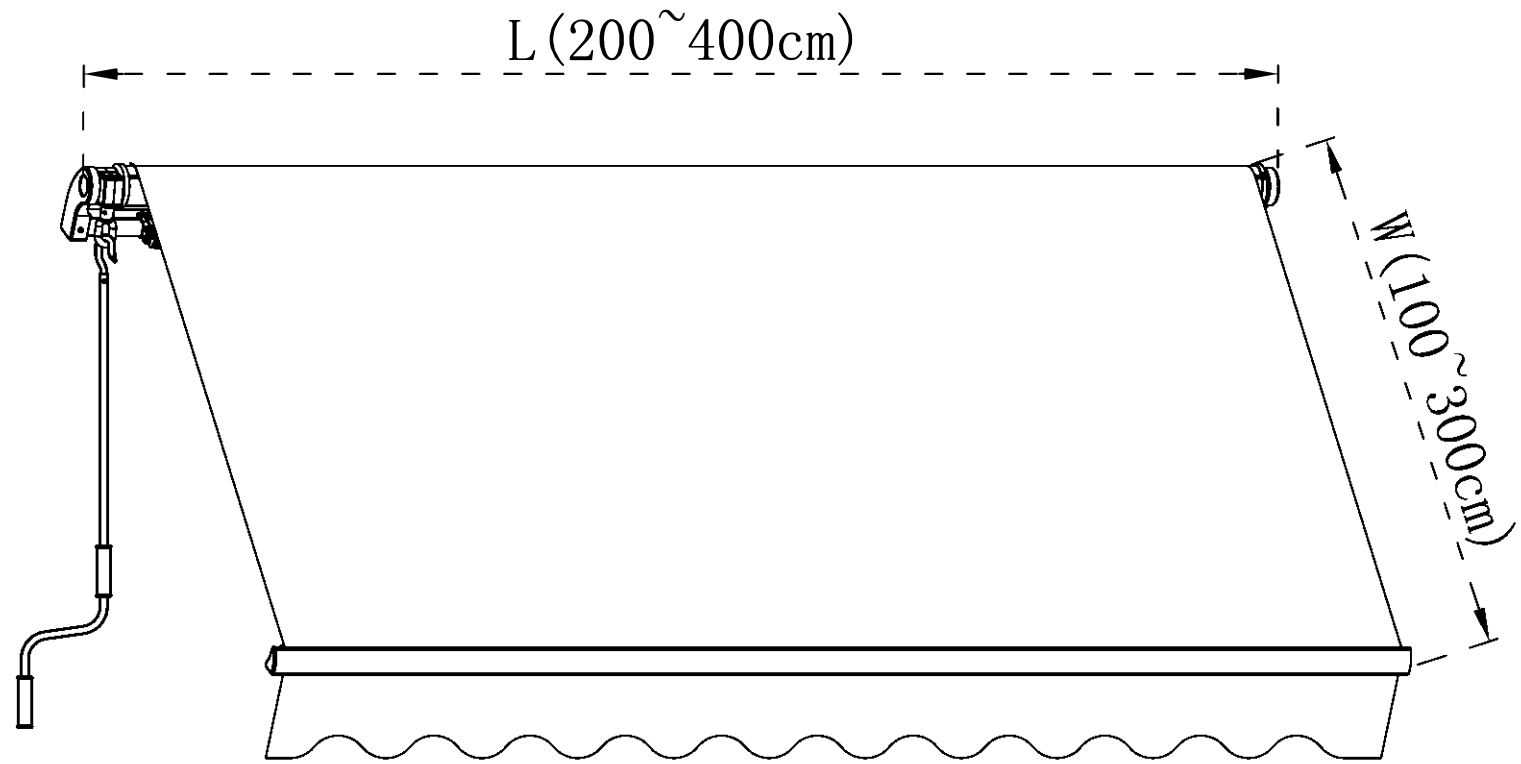



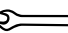


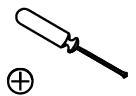
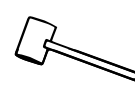


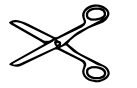
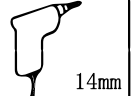



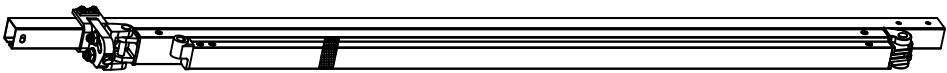





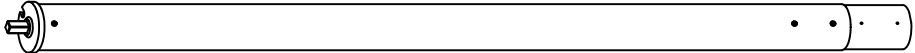


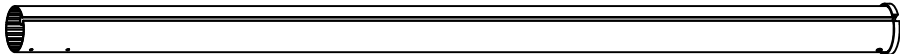

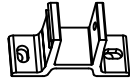






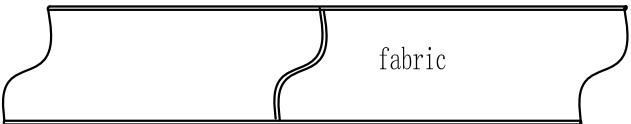



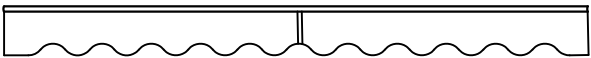








DANCOVER[®]

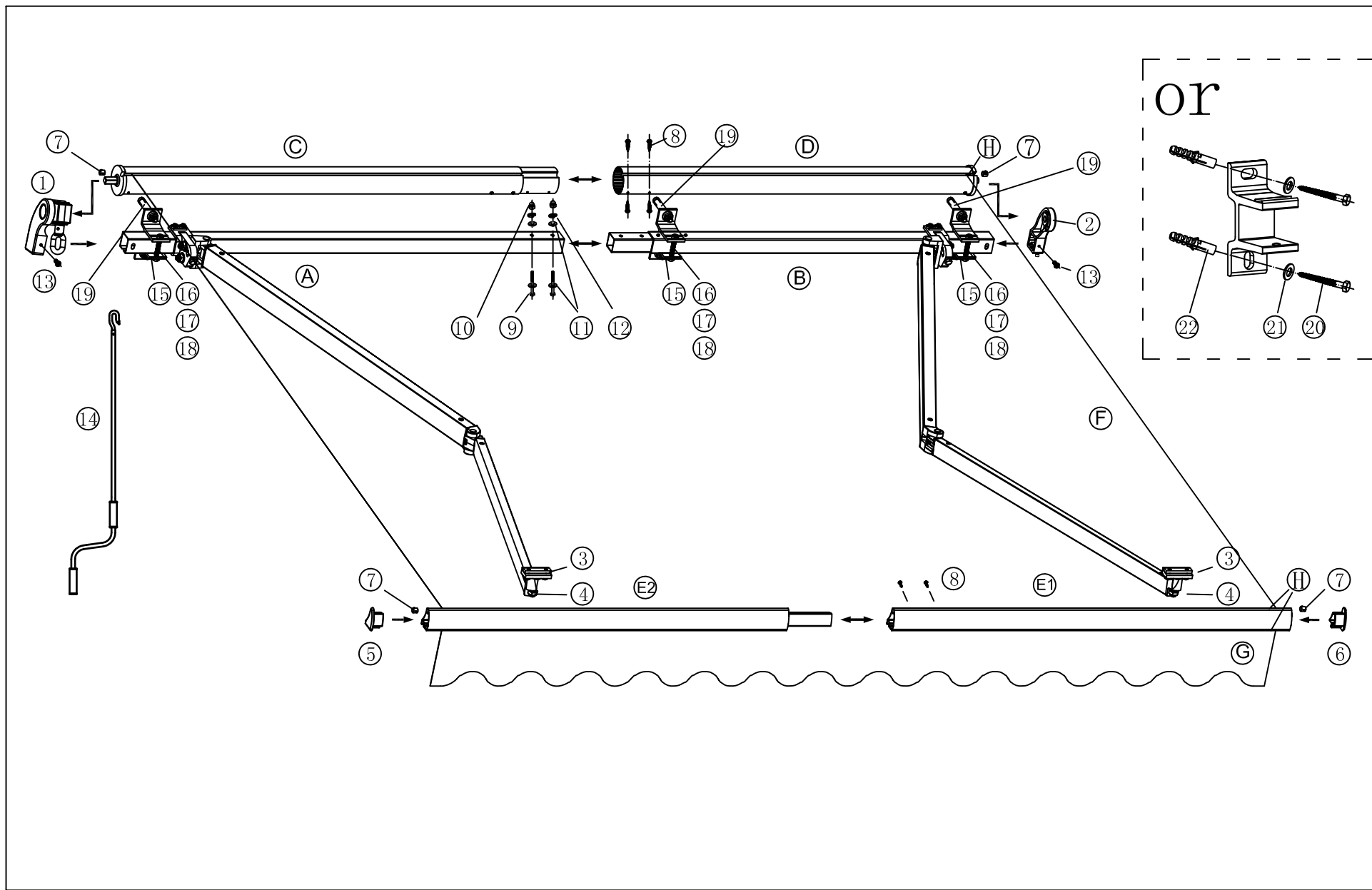
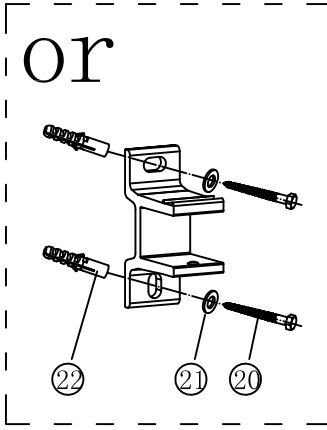


Manual
for
Retractable Awning
w/Crank Handle

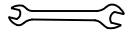


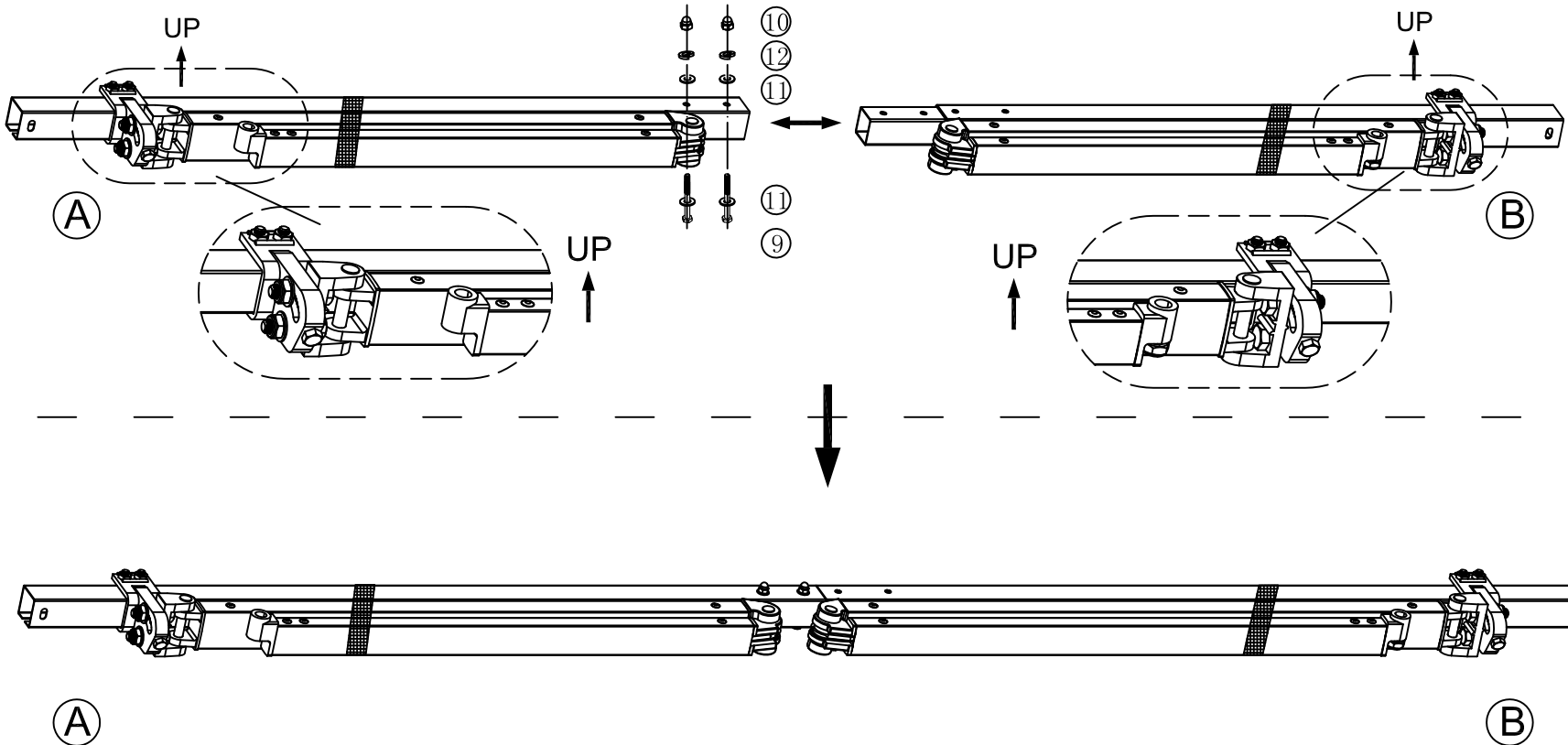
- | | | | | | | | | | | | |
|---|--|--|--|--|---|---|---|---|---|--|---|
|  x2
>1.5m |  x2
10mm |  13mm |  17mm
 19mm |  M5 |  ⊕ |  |  |  >5m |  |  14mm |  |
|---|--|--|--|--|---|---|---|---|---|--|---|

<p>A</p>  <p>x1</p>		<p>①</p>  <p>x1</p>	<p>⑫</p>  <p>M6 x2+(1)</p>
<p>B</p>  <p>x1</p>		<p>②</p>  <p>x1</p>	<p>⑬</p>  <p>M6*14 x2+(1)</p>
<p>C</p>  <p>x1</p>		<p>③</p>  <p>x2</p>	<p>⑭</p>  <p>x1</p>
<p>D</p>  <p>x1</p>		<p>④</p>  <p>M12 x2</p>	<p>⑮</p>  <p>x3</p>
<p>E1</p>  <p>x1</p>		<p>⑤</p>  <p>x1</p>	<p>⑯</p>  <p>M8X60 x3+(1)</p>
<p>E2</p>  <p>x1</p>		<p>⑥</p>  <p>x1</p>	<p>⑰</p>  <p>ø8 x3+(1)</p>
<p>F</p>  <p>fabric x1</p>	<p>H</p>  <p>plactic rope x3</p>	<p>⑦</p>  <p>x4+(1)</p>	<p>⑱</p>  <p>M8 x3+(1)</p>
<p>G</p>  <p>x1</p>		<p>⑧</p>  <p>st4. 2X13 x6+(3)</p>	<p>⑲</p>  <p>M10x100 x6+(1)</p>
		<p>⑨</p>  <p>M6X45 x2+(1)</p>	<p>⑳</p>  <p>M10X75 x6+(1)</p>
		<p>⑩</p>  <p>M6 x2+(1)</p>	<p>㉑</p>  <p>ø10 x6+(1)</p>
		<p>⑪</p>  <p>ø6 x4+(1)</p>	<p>㉒</p>  <p>ø14x75 x6+(1)</p>



Ⓐ x1	Ⓑ x1	⑨ x2	⑩ x2	⑪ x4	⑫ x2
------	------	------	------	------	------

 x2
 10mm



C

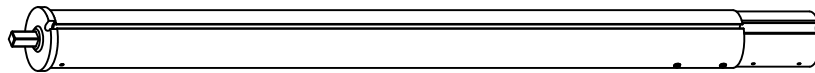
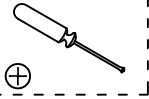
x1

D

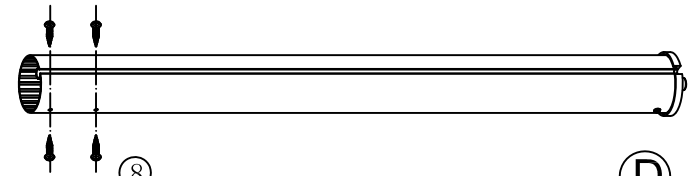
x1

8

x4

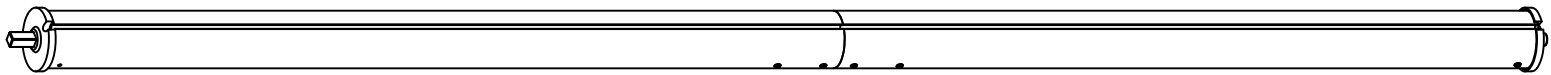


C

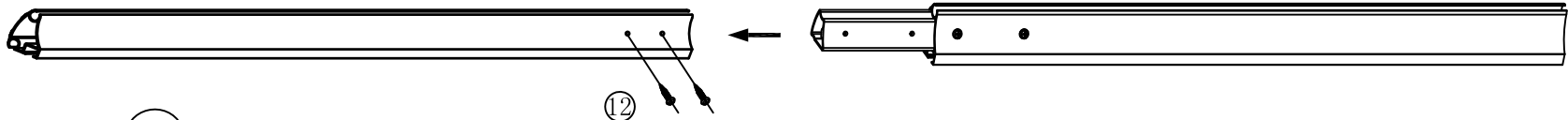
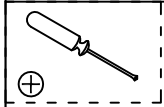


8

D



- | | | |
|--------------|--------------|-------------|
| E1 x1 | E2 x1 | 8 x2 |
|--------------|--------------|-------------|



E1

8

E2



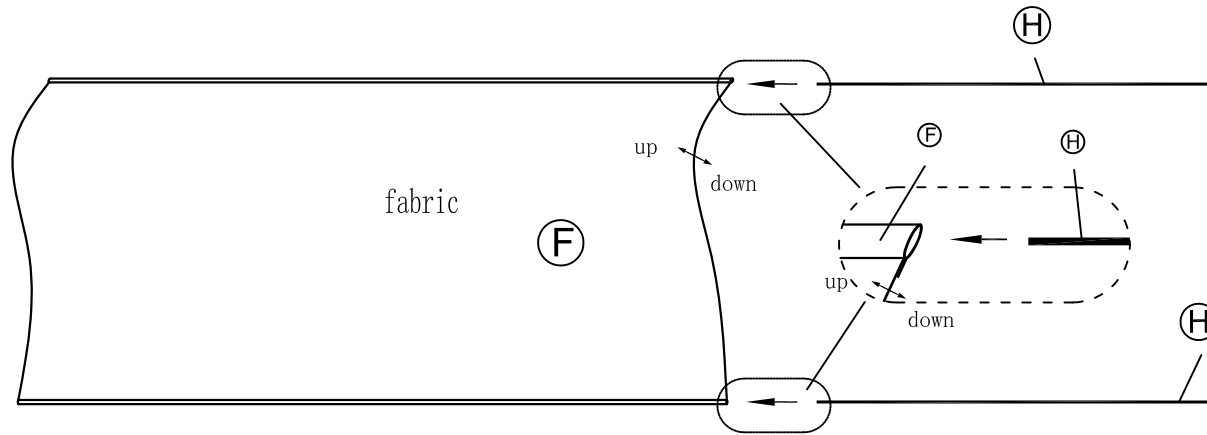
E2

E1

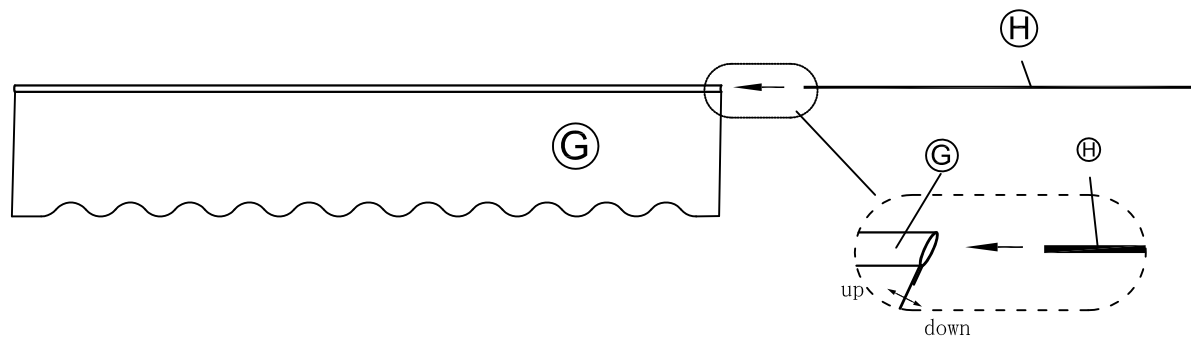
ⓕ x1

ⓖ x1

ⓓ x3



5.1

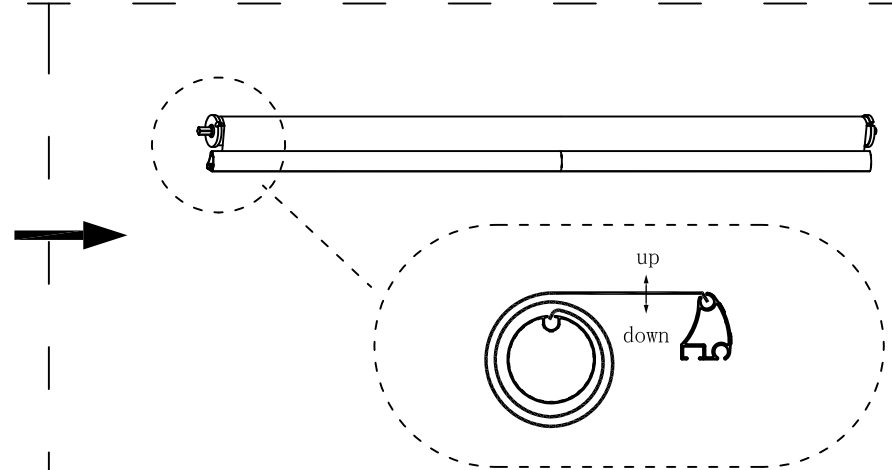
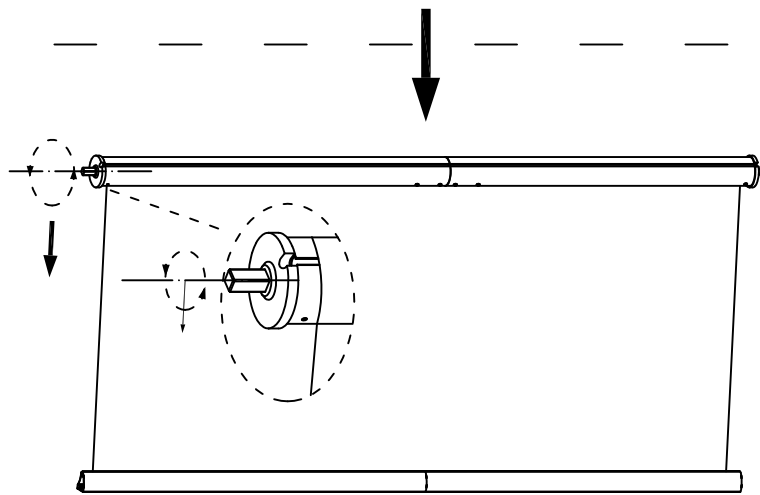
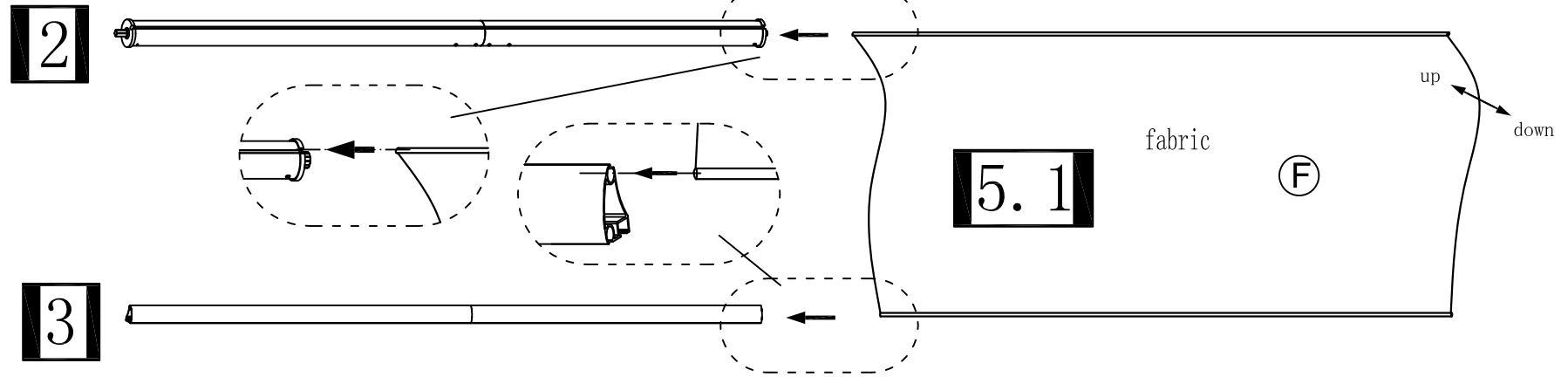


5.2

5.1 ×1

2 ×1

3 ×1

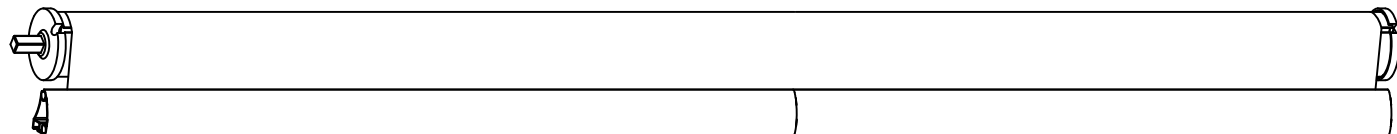
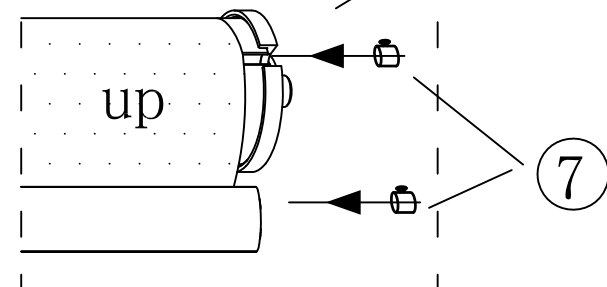
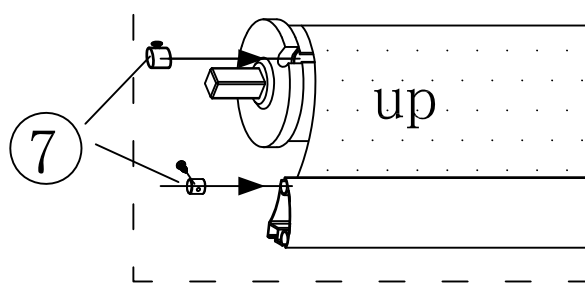
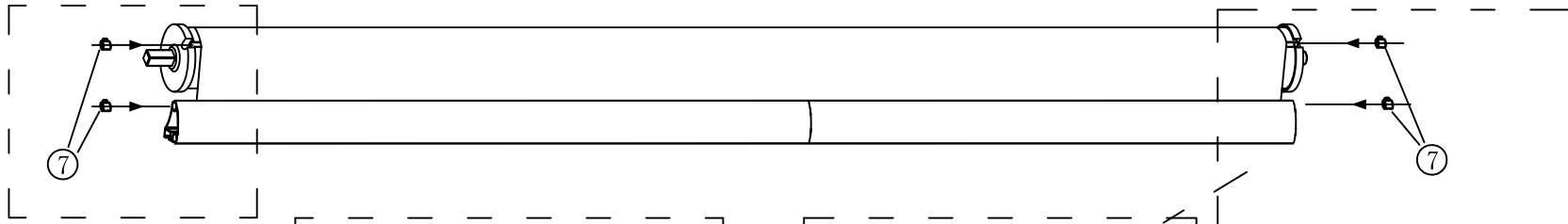


5

x1

7

x4



6

1

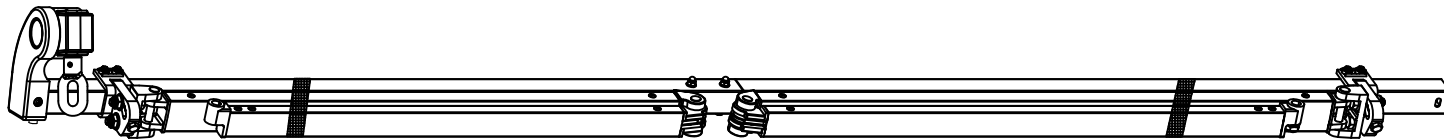
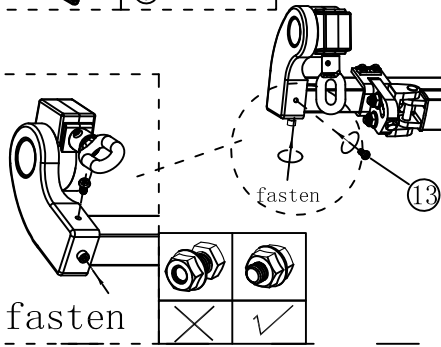
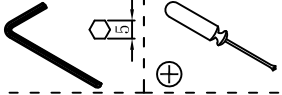
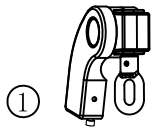
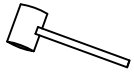
x1

①

x1

⑬

x1



6

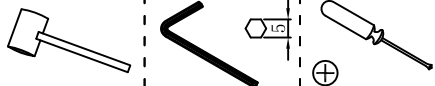
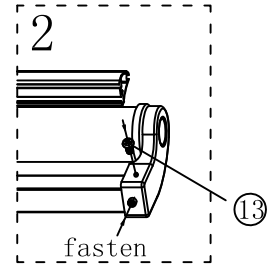
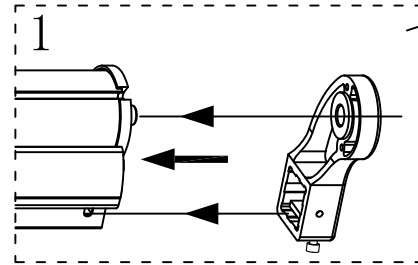
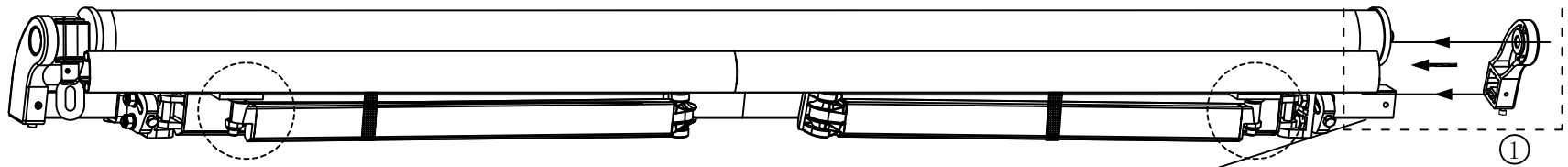
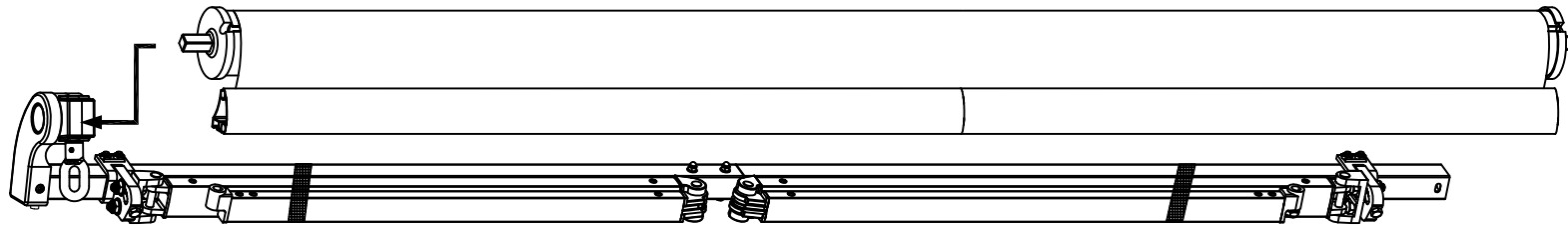
x1

7

x1

② x1

⑬ x1



8

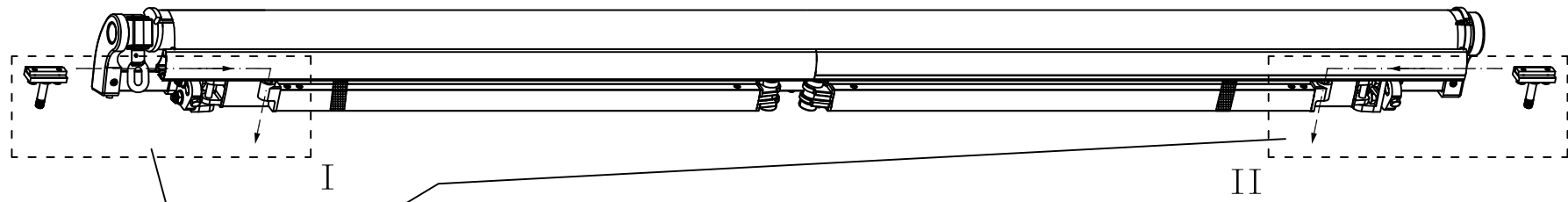
x1

3

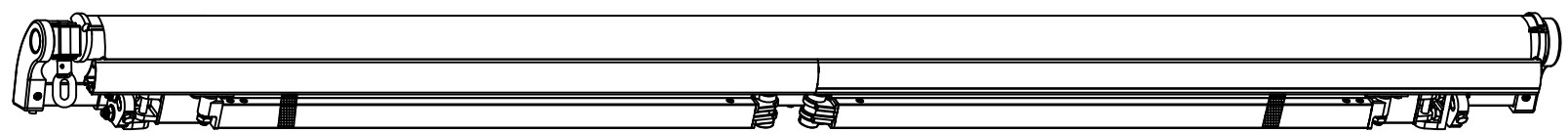
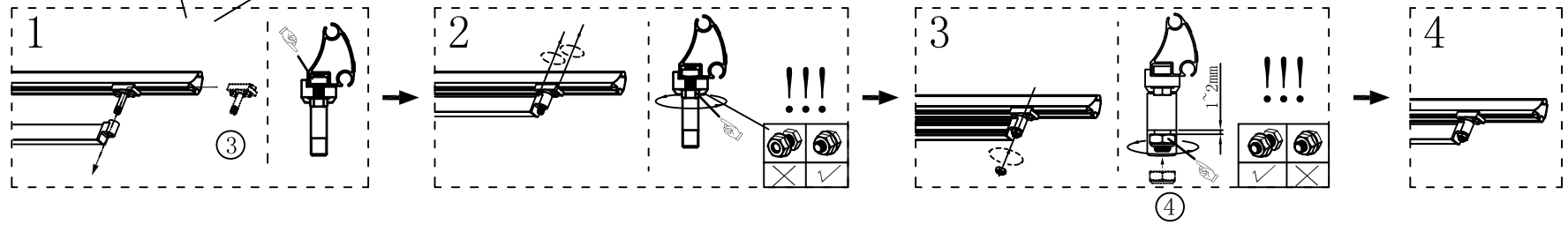
x2

4

x1



I, II



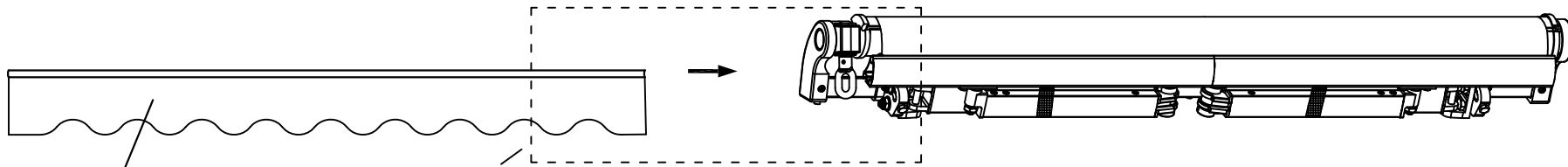
9

9

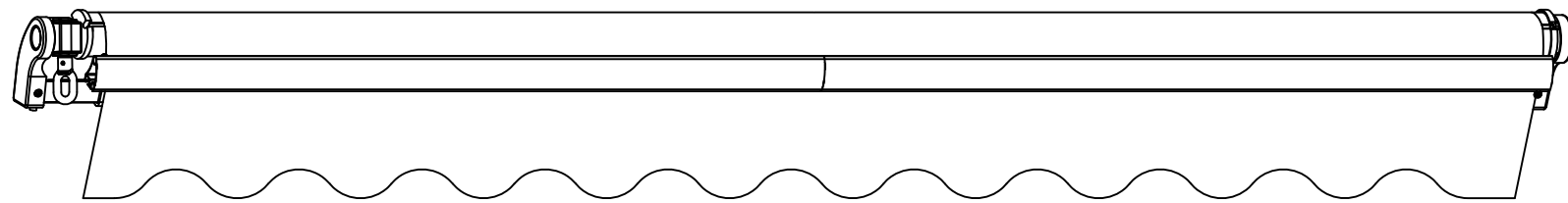
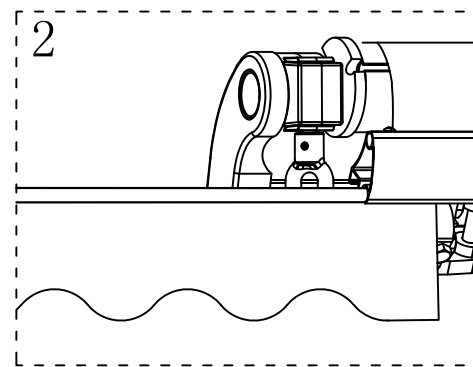
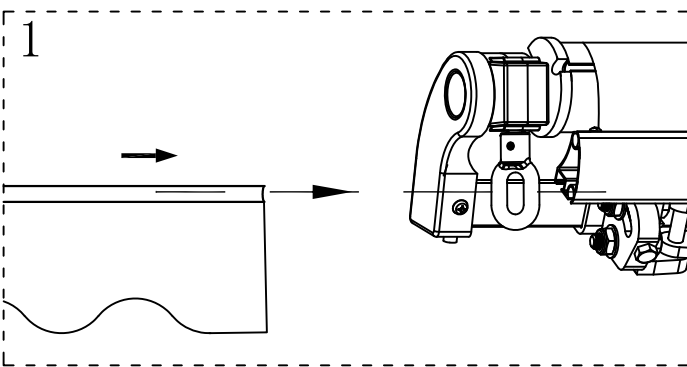
x1

5.2

x1



5.2



11

x1

5

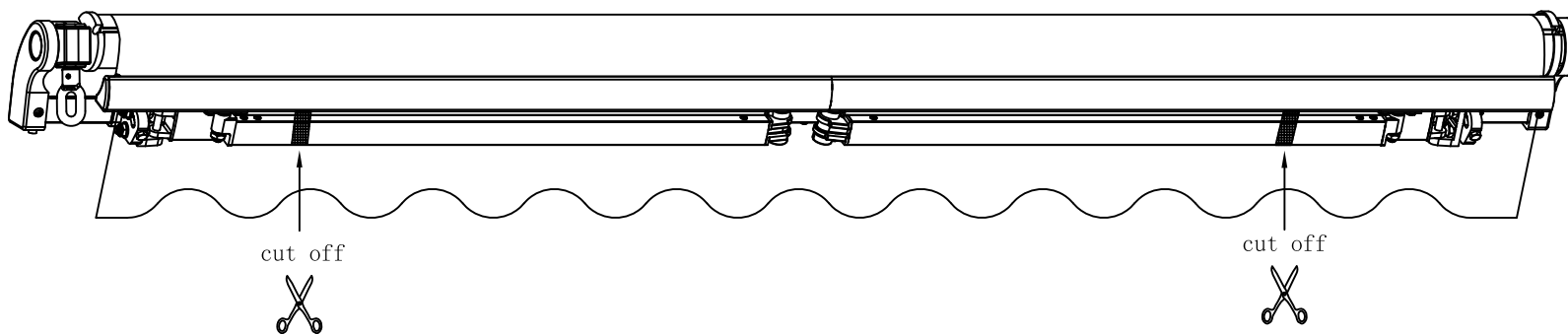
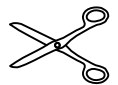
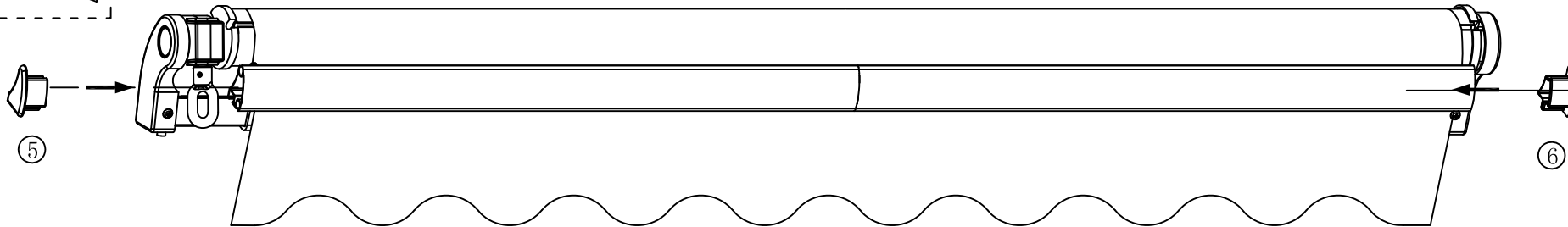
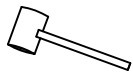
x1

6

x1

14

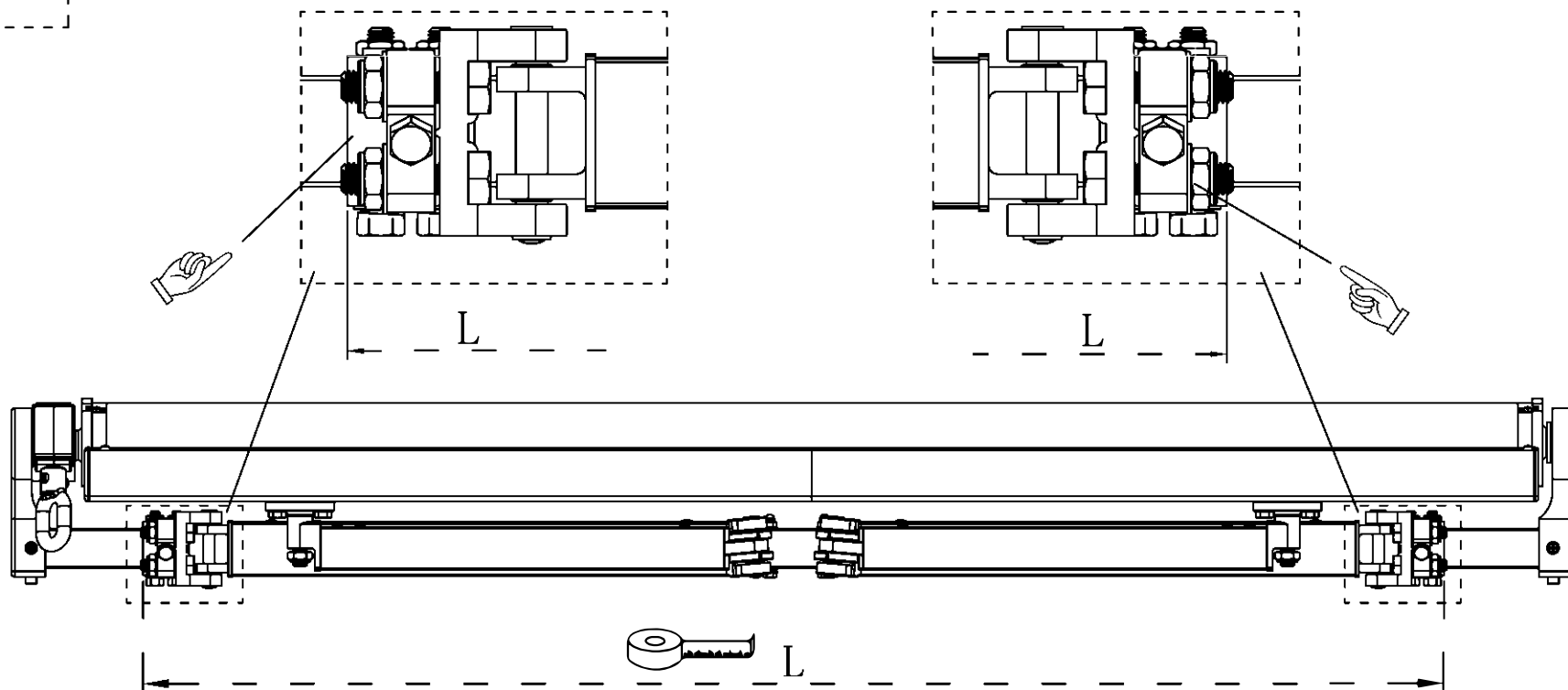
x1

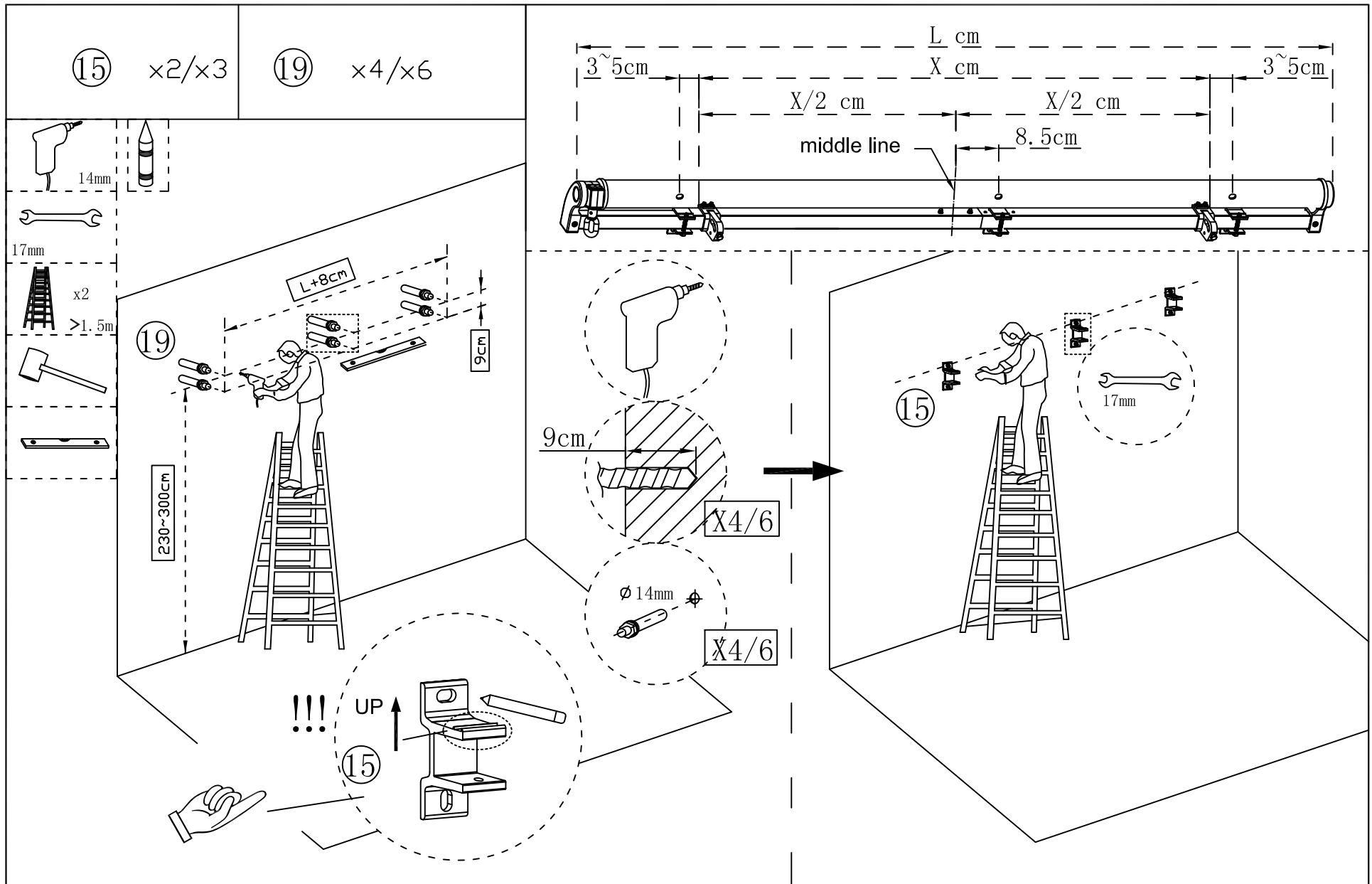


11

x1

OK, Assembly Complete!

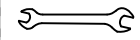




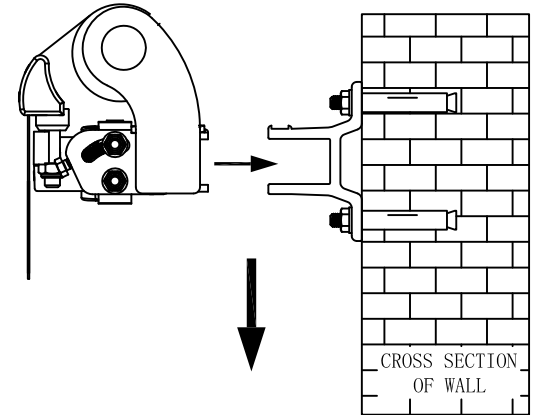
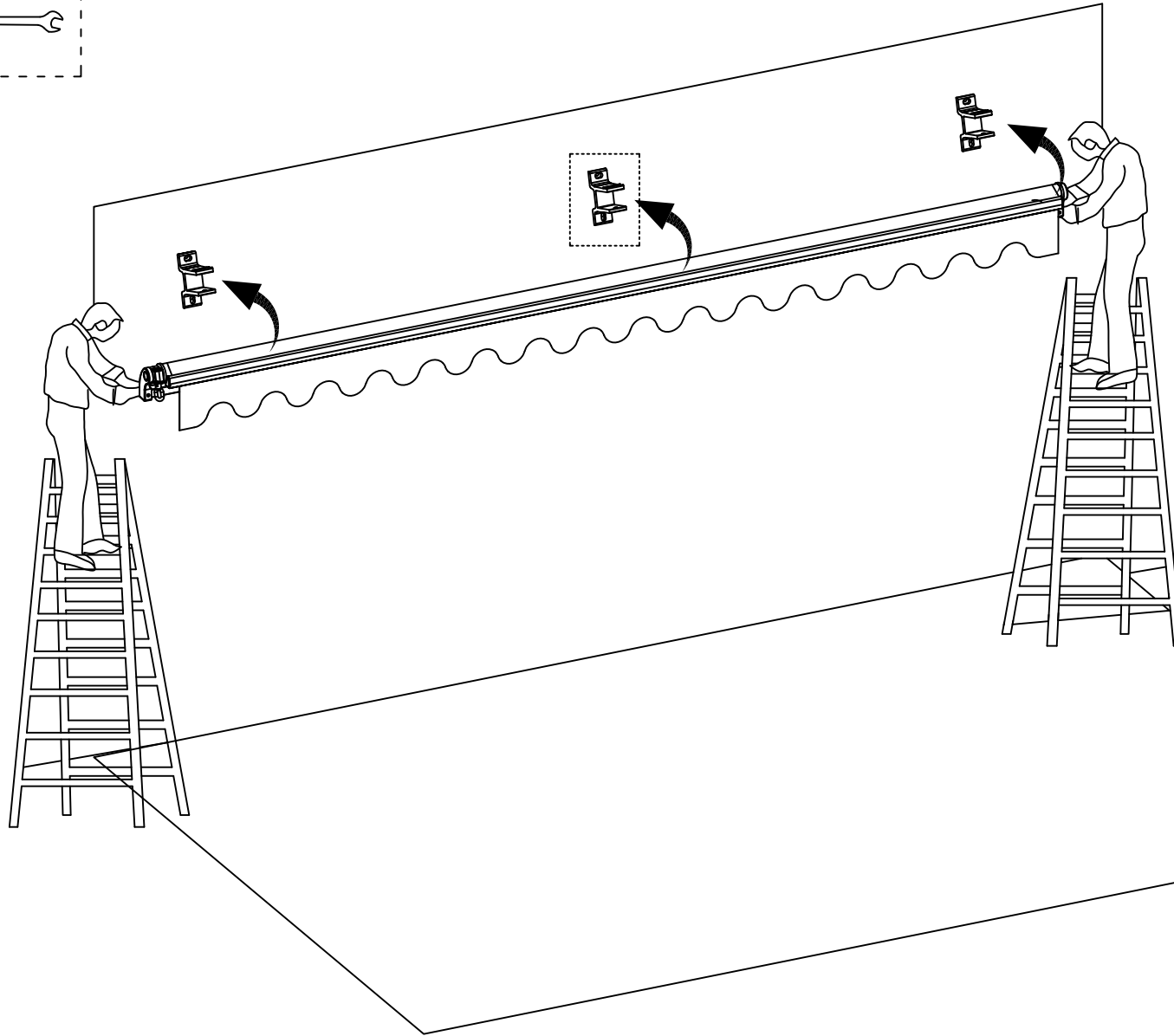
①⑥ x2/x3

①⑦ x2/x3

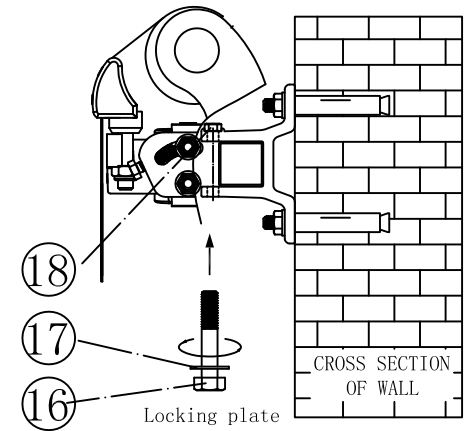
①⑧ x2/x3



13mm



CROSS SECTION OF WALL



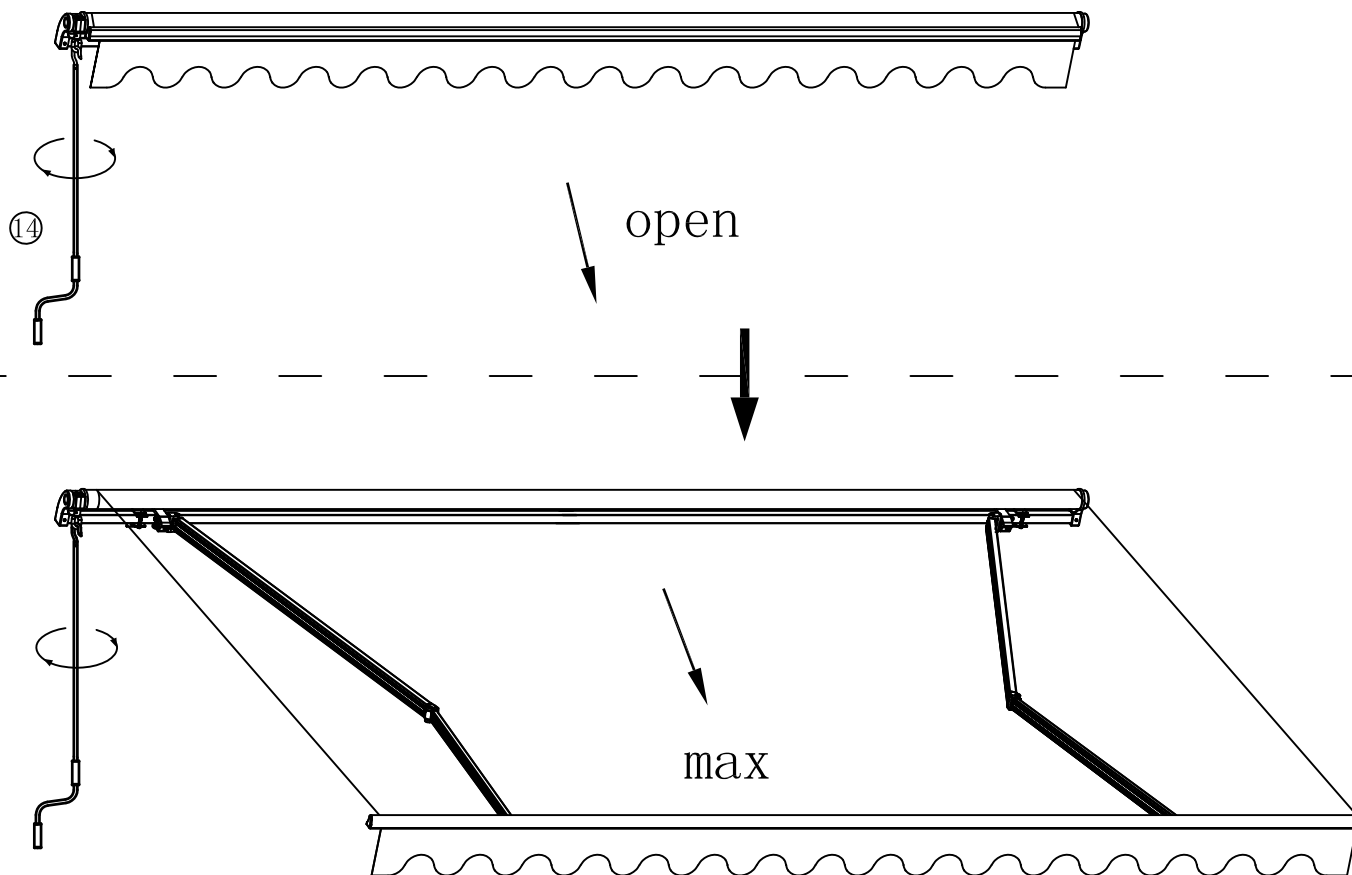
Locking plate

14

x1

14

x1

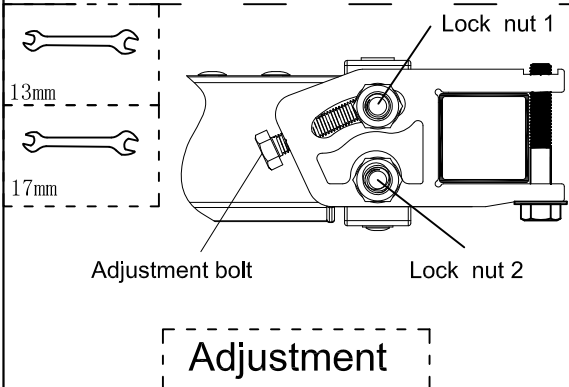


15

Adjustment area

UP

down



Front Bar
UP

Lock nut 1, loosen
Lock nut 2, loosen

Adjustment bolt
fasten

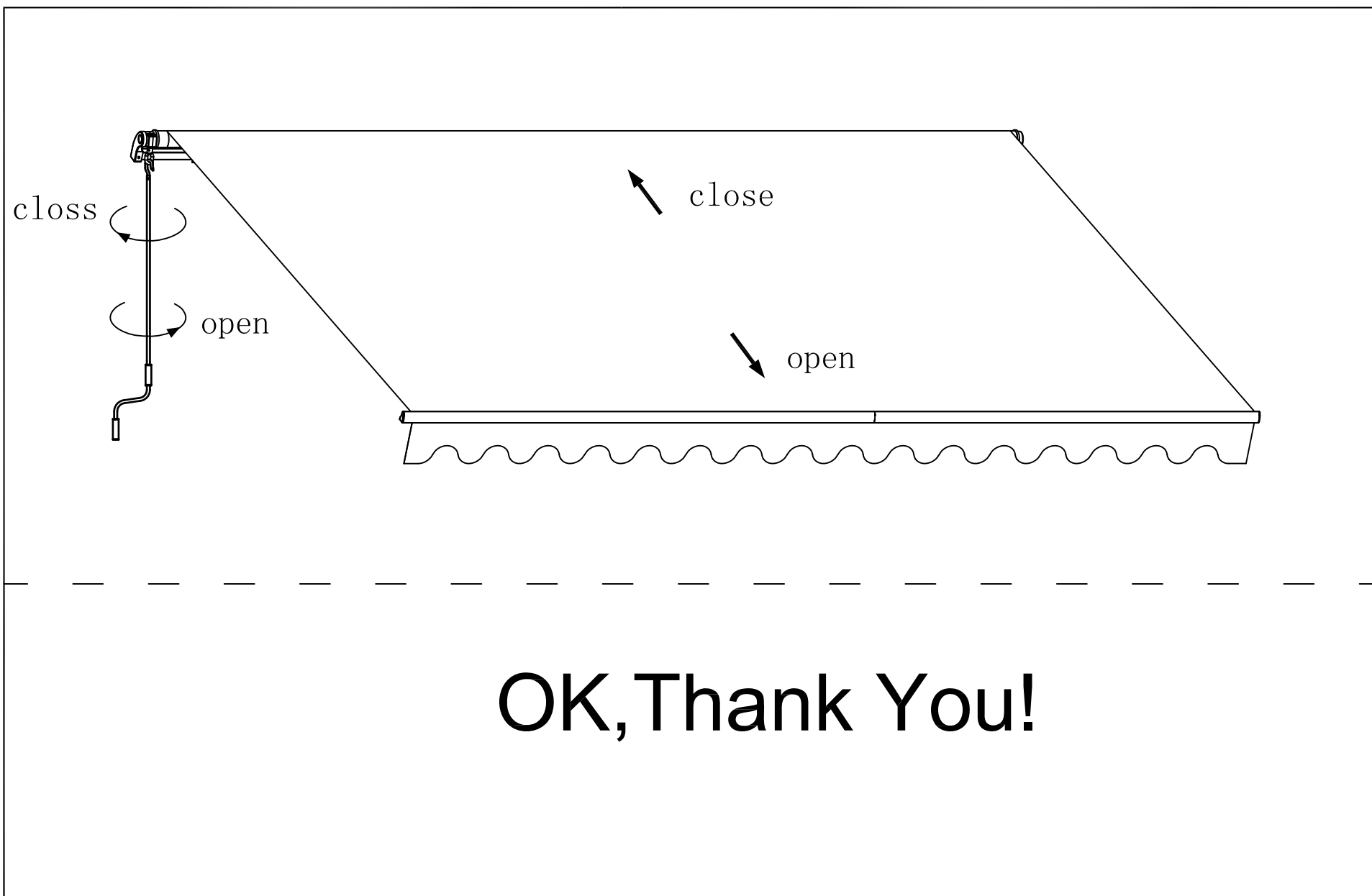
Lock nut 2, fasten
Lock nut 1, fasten

Front Bar
Down

Lock nut 1, loosen
Lock nut 2, loosen

Adjustment bolt
loosen

Lock nut 2, fasten
Lock nut 1, fasten



OK, Thank You!

DANCOVER[®]

.com

Contact information

Austria



Belgium



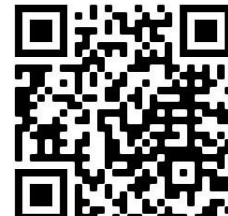
Croatia



Denmark



Estonia



Finland



France



Germany



Ireland



Italy



Latvia



Lithuania



Nederland



Norway



Poland



Portugal



Spain



Sweden



Switzerland



UK



For more information please visit: www.dancovershop.com