

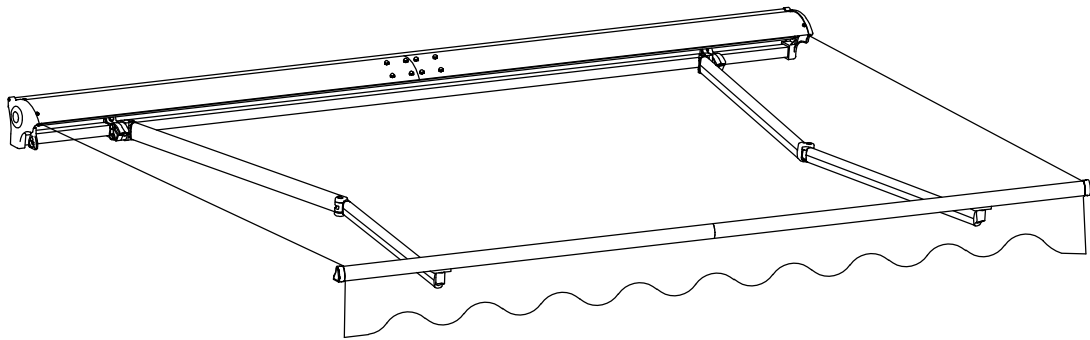
DANCOVER[®]

.com

Manual
for
Retractable Awning 3,95x2,5m
w/Remote Control

Retractable Awning

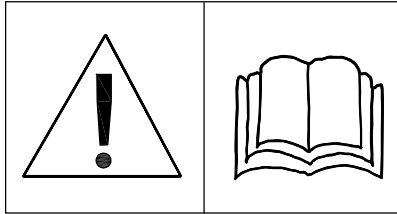
3.95x2.5m



Specification

Artical number	Actual size (cm)	Shade Dimension (cm)	Net weight (Kg)	Inclination angle	Fabric	Wind resistance class
BW23000	295×200	287×200		0°~45°	Polyester	Class 1 (28Km/h)
BW23000	395×250	387×250		0°~45°	Polyester	Class 1 (28Km/h)

Precautions and safety warning for installation and operation



ATTENTION, LIRE LES INSTRUCTIONS AVANT D'UTILISER LE PRODUIT

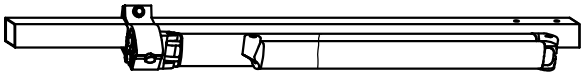

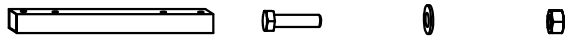



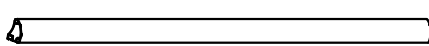
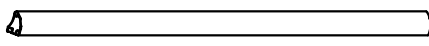


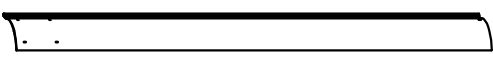


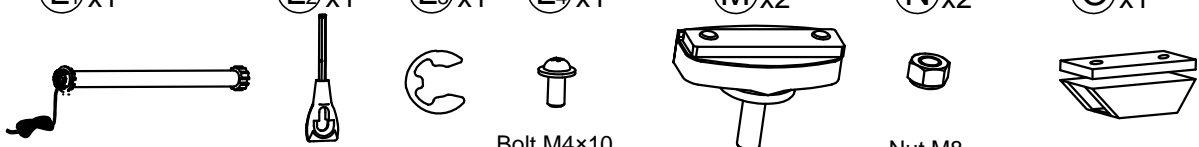
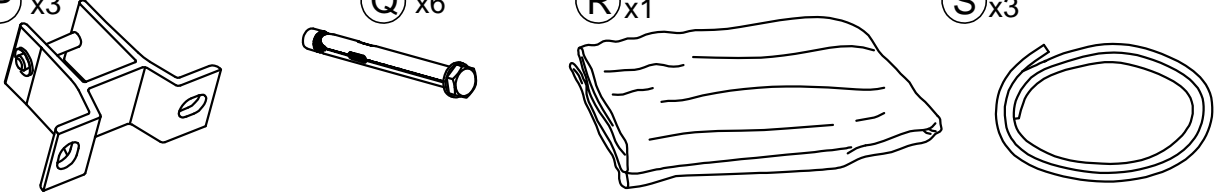
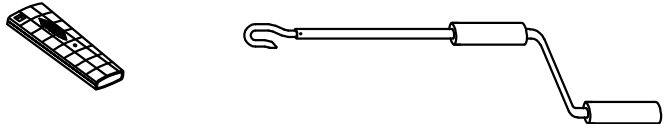
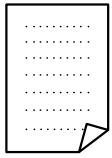
Attention! ⚠
 Before opening the awning, make sure all the fixing bolts and security devices are properly installed and tightened.
 Always close the awning during rainy days, windy days or the awning is not in use.
 Failed to observe the instruction may lead to material and constructional damage of the awning.
 The folding arms of the awning are under tension and can cause damage and injury when they are open up suddenly.
 Never try to disassemble the awning or repair the awning by yourself. Consult a competent technician for help.

Symbol explanation:

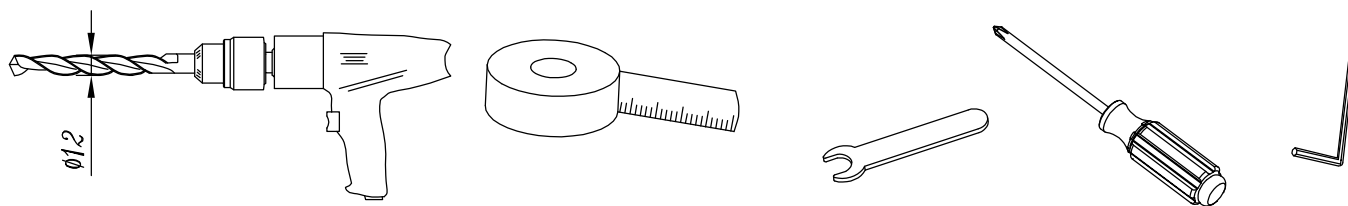
- ⊘ Means it is forbidden
- ⚠ Means important

- ⊘ Never install it in high and windy places, as the sunshade may drop and hurt people.
- ⚠ When you are ready to unpack and assemble the awning, make sure that you have the appropriate tools, sufficient operators (2 persons are suggested) and space, and a clean and dry area to perform the installation."
- ⚠ Don't use it in places that have vibrations or impulsions.
- ⚠ The installation can be made by non-professionals assuming the instruction is followed correctly. Should you have any trouble during assembly, please consult a qualified person for help.
- ⚠ Please use all the screws and nuts correctly during installation as it is very dangerous if you leave it loose.
- ⊘ Be careful with your finger during installation.
- ⚠ Don't use it in places of high temperature such as walls near furnaces.
- ⚠ Don't hang anything on the frame or on the folding arms as the awning may fall down and cause damage or personal injury.
- ⊘ Never use it in rainy and windy days.
- ⊘ Never use it for other purposes.
- ⊘ The operation in frosty conditions may damage the awning.
- ⊘ Please close the awning in windy and rainy days.
- ⊘ No modification of the awning in any kind is allowed.
- ⚠ Save enough free space around the awning while rolling or unrolling.
- ⊘ Do not barbecue under the awning or ignite a fire near to the awning
- ⊘ Do not open the awning when maintenance, such as window cleaning, is being carried out in the vicinity.
- ⚠ Check the awning every 3 months to ensure all fixing are tightened and no damage on the products.
- ⚠ Do not use the awning if repair is needed. Do not try to repair the product by yourself, contact qualified person for repairing.

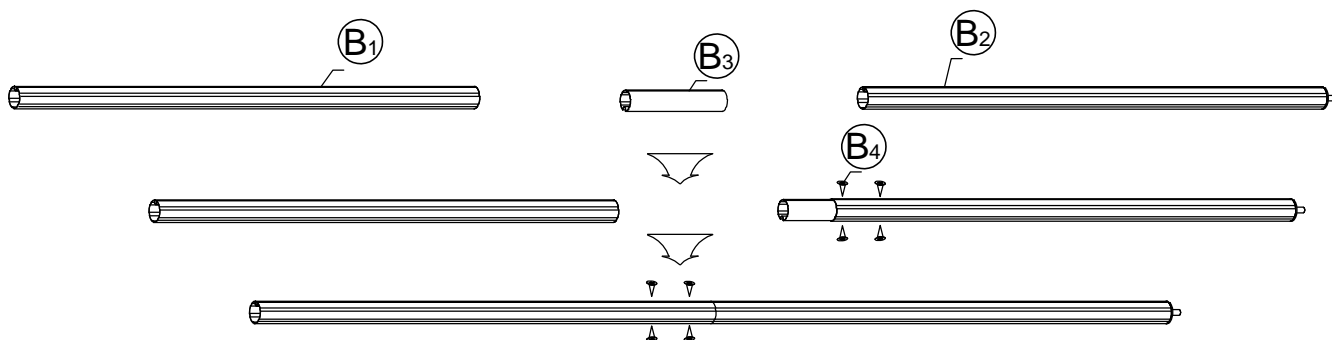
Accessories and required tools

<p>A₁ x1</p> 	<p>A₂ x1</p> 
<p>A₃ x1 A₄ x4 A₅ x4 A₆ x4</p>  <p>Bolt M6x50 Washer Ø6.5 Nut M6</p>	<p>B₁ x1</p> 
<p>B₂ x1</p> 	<p>B₃ x1 B₄ x12 C x6</p>  <p>Bolt ST4x15</p>
<p>D₁ x1</p> 	<p>D₂ x1</p> 
<p>D₃ x1 D₄ x1 D₅ x1</p> 	<p>E₁ x1</p> 
<p>E₂ x1</p> 	<p>E₃ x1 E₄ x8 E₅ x7 E₆ x1 E₇ x1</p>  <p>Nut M6 Bolt M6x8 Bolt M6x12</p>
<p>F x1 G x1 H x2 I x2 J x2 K x1</p>  <p>Bolt ST5x15 Bolt M5x15 Bolt ST5x25</p>	
<p>L₁ x1 L₂ x1 L₃ x1 L₄ x1 M x2 N x2 O x1</p>  <p>Bolt M4x10 Nut M8</p>	
<p>P x3 Q x6 R x1 S x3</p> 	
<p>T x1 U x1</p> 	<p>Instruction</p> 

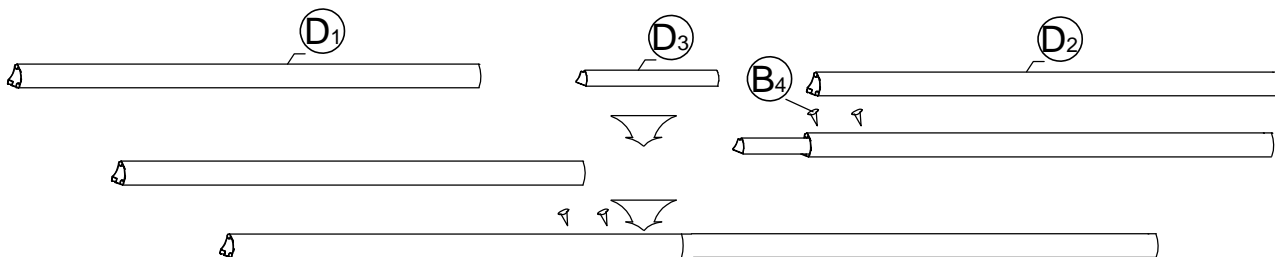
Please prepare below tools before installation:



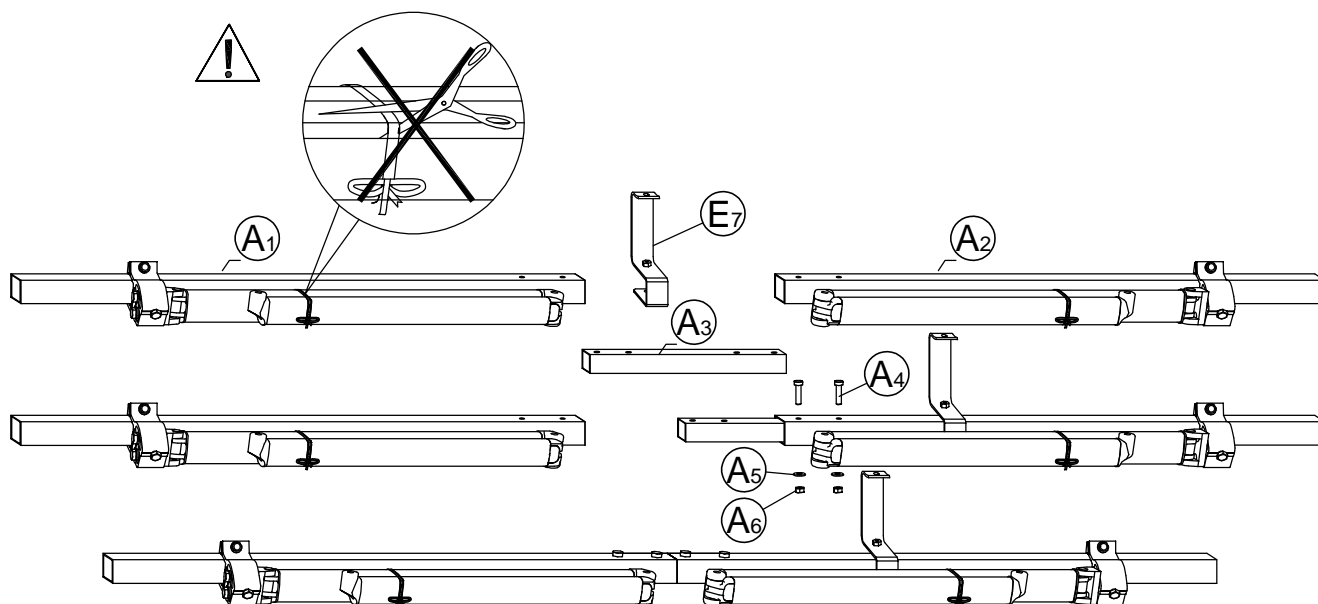
1.



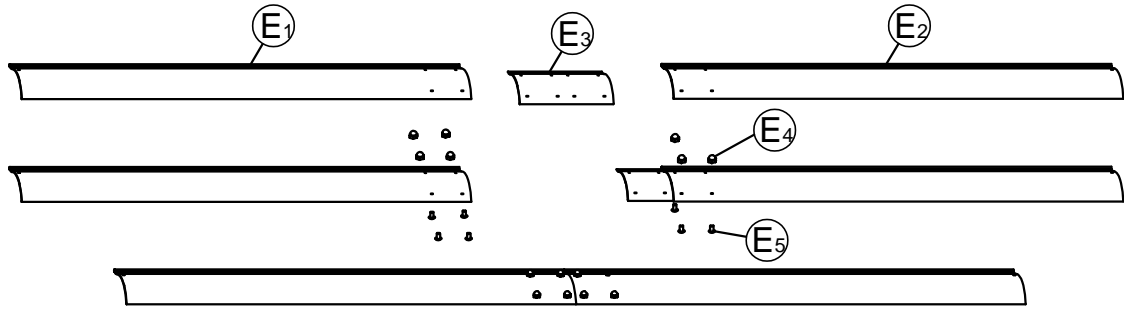
2.



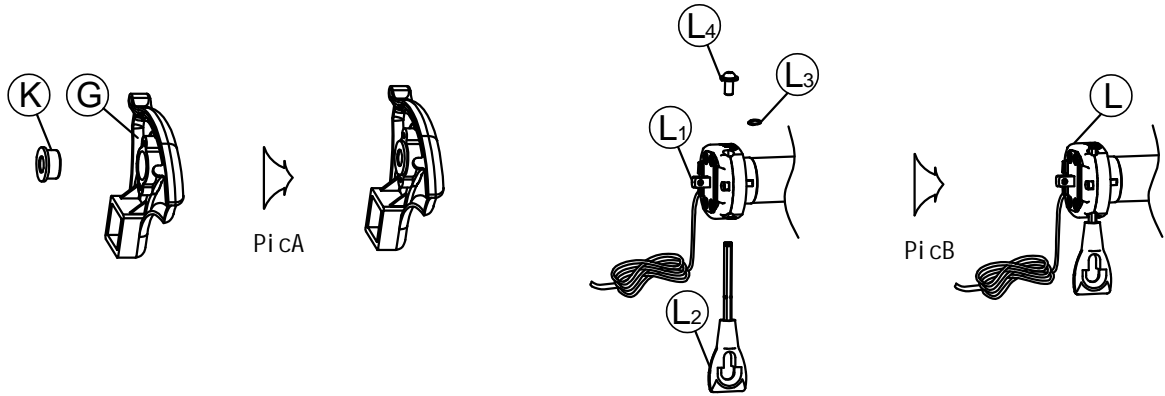
3.



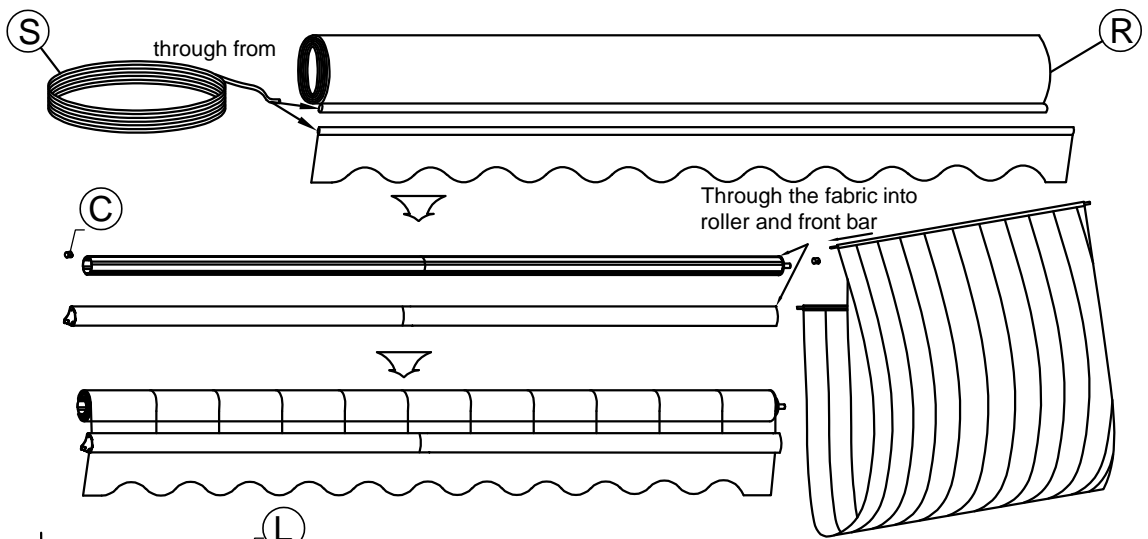
4、



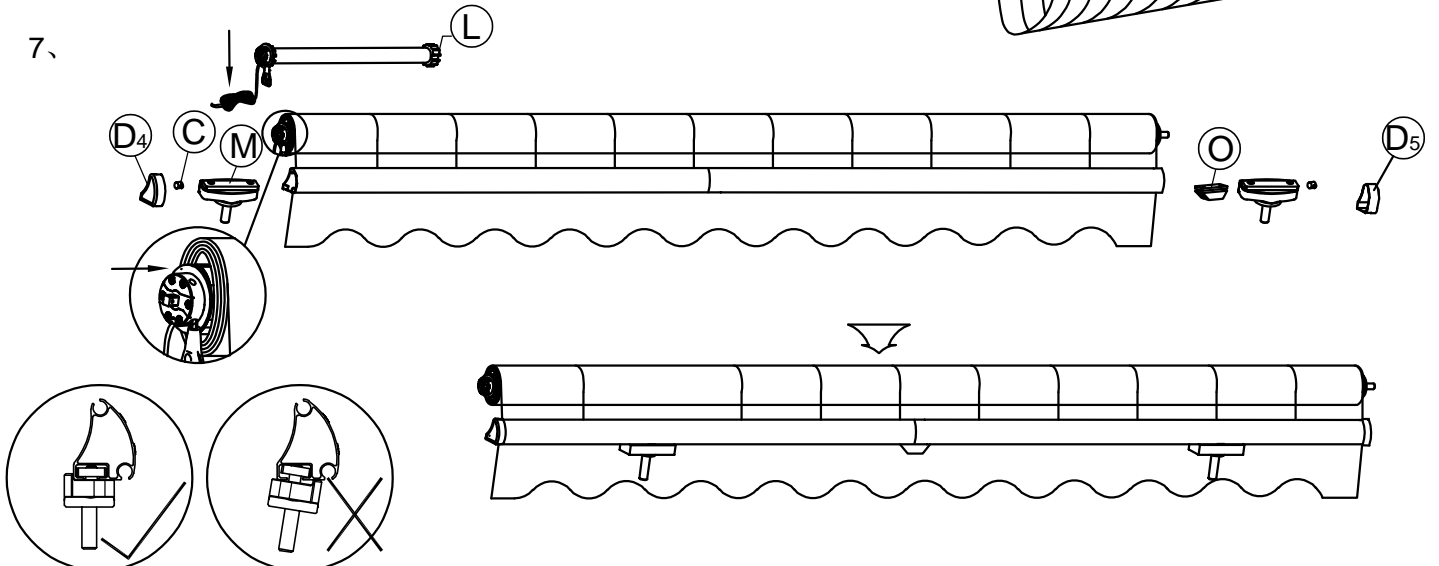
5、



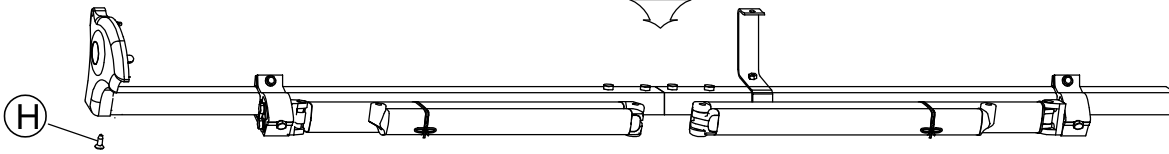
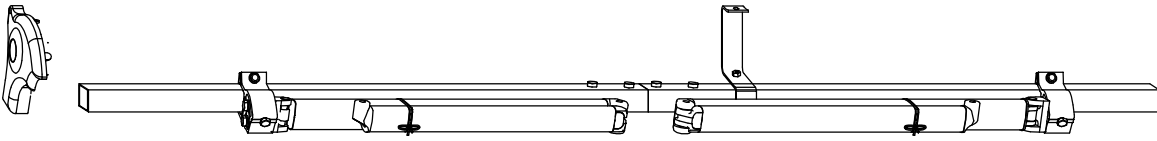
6、



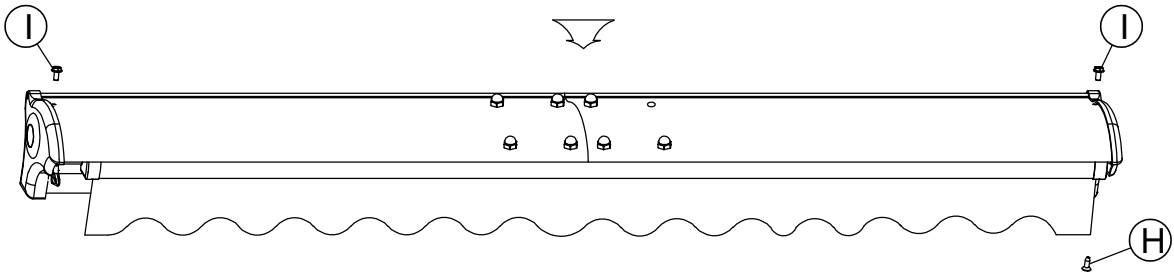
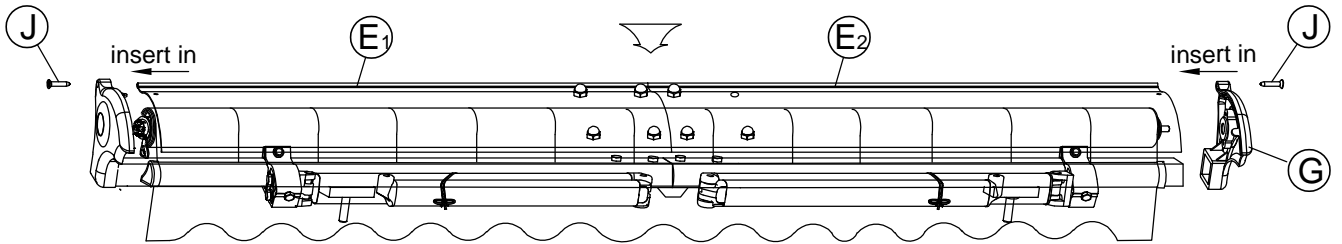
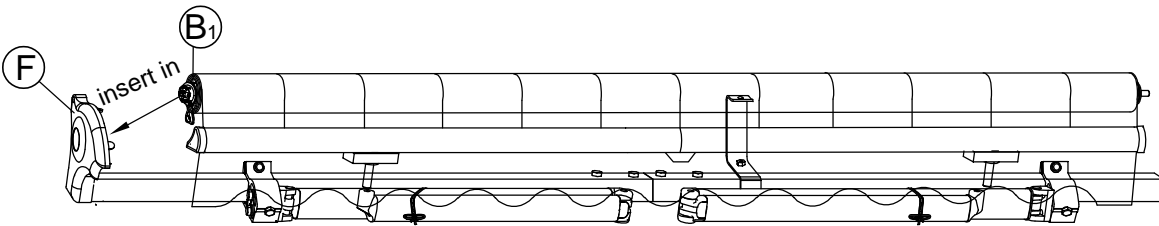
7、



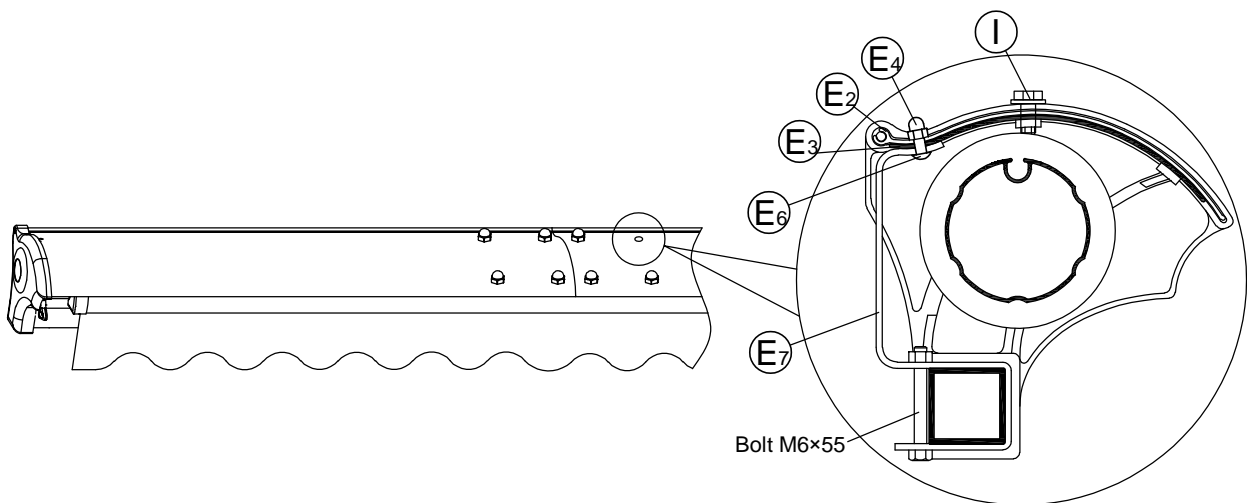
8、



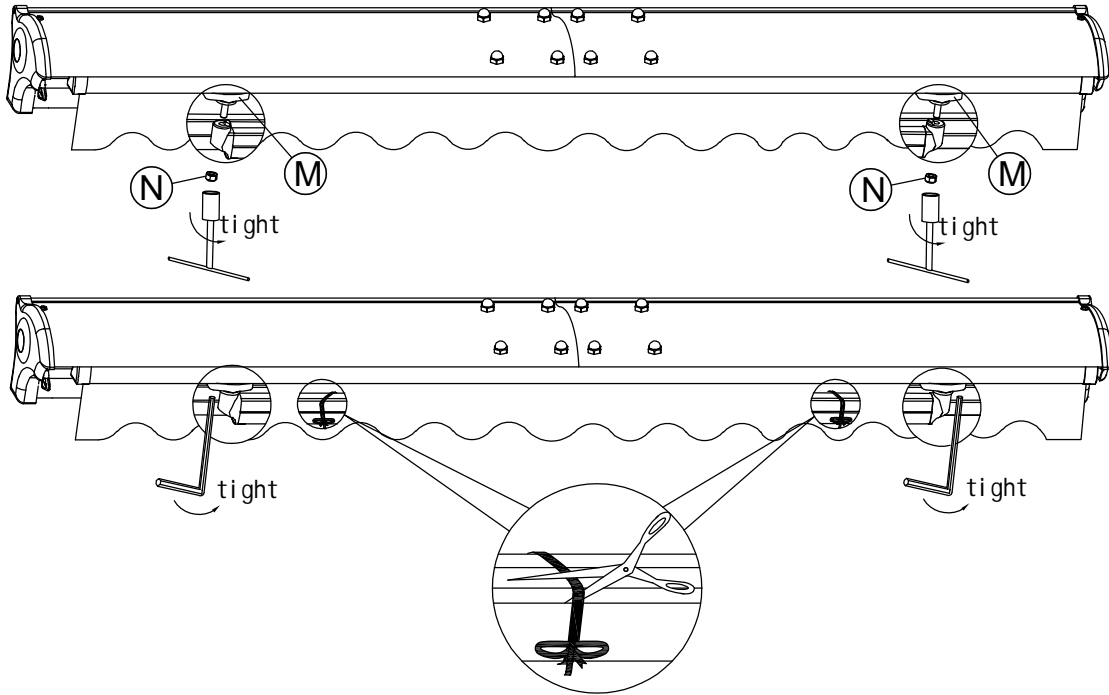
9、



12、

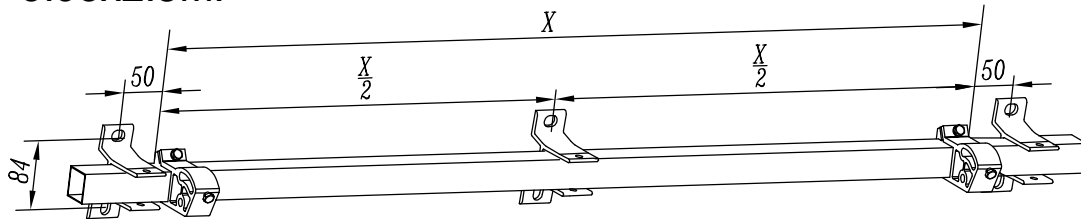


13、

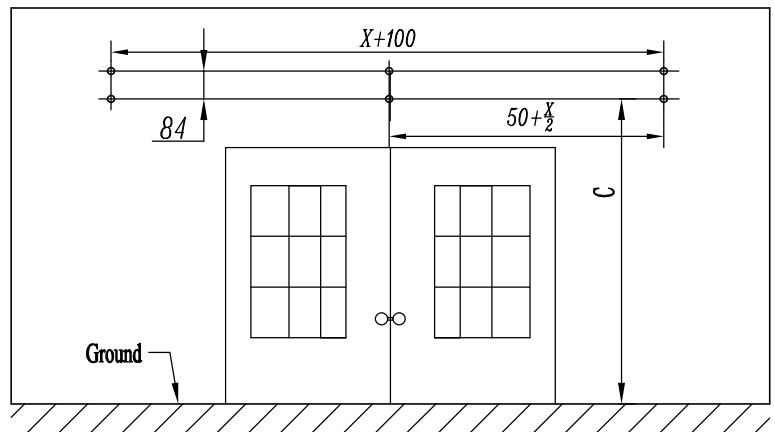
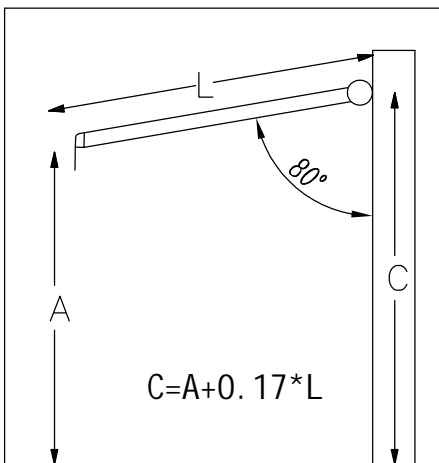


14、

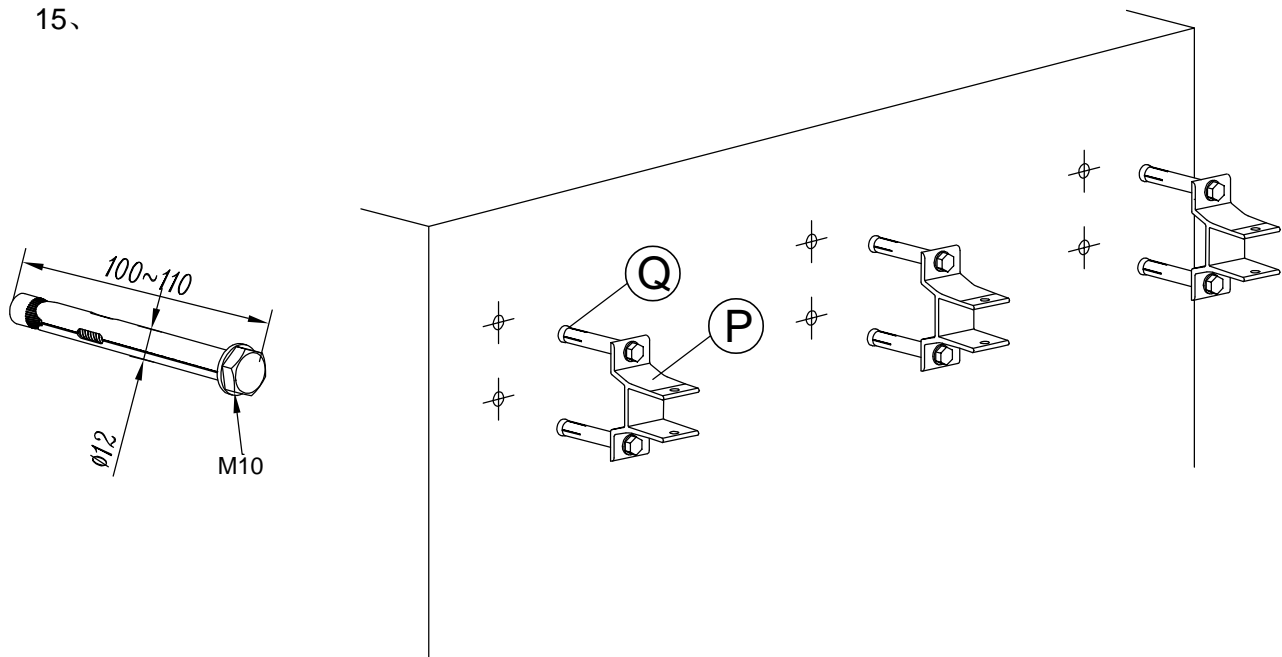
3.95x2.5M:



3.95x2.5M:



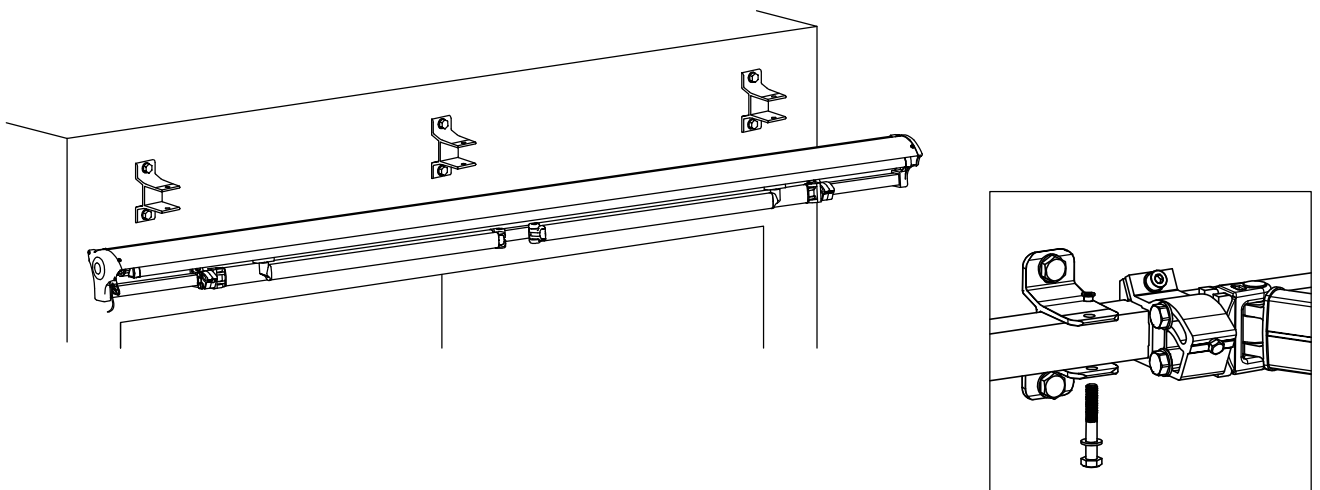
15、



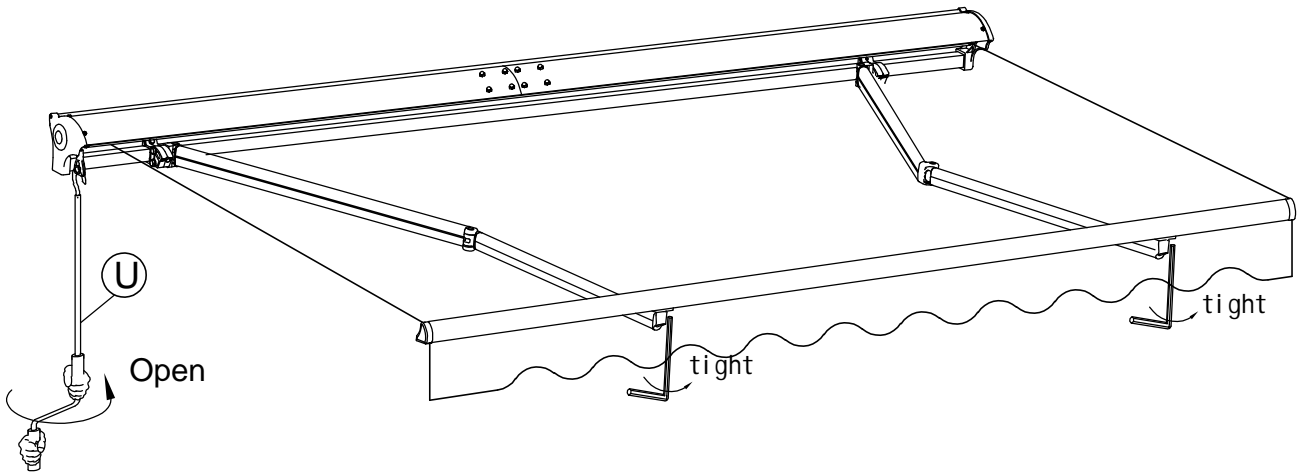
Installation of awning to wall brackets

Remove the bolts on the front of the wall brackets. Install the awning to the wall brackets by attaching the square torsion bar to the wall brackets. Lock the awning in place by replacing the bolts and nuts on wall brackets. Tighten the nuts to ensure the awning is attached to wall brackets securely.

16、

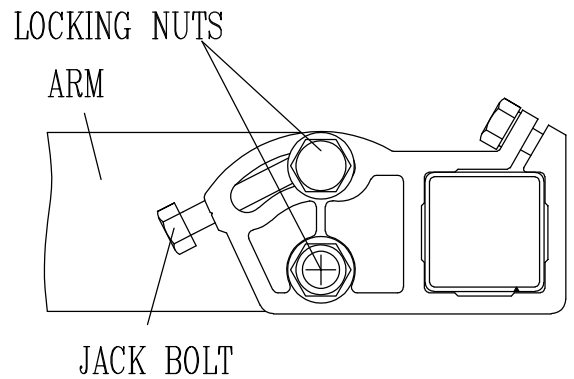


17、



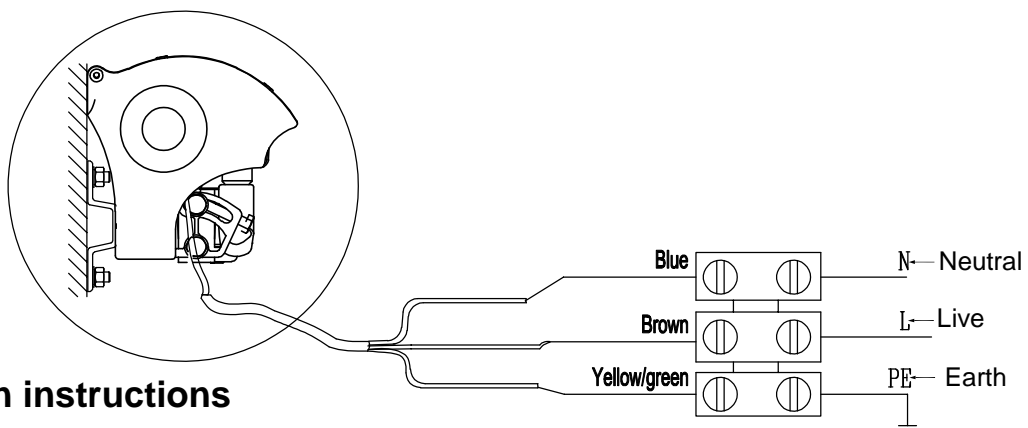
Check if the awning is level with the use of the spirit level on the front bar. Adjust the angle adjuster at either end by loosening the locking nuts of the angle adjuster ,turn the jack bolt to adjust the pitch. Adjust the arm until the front profile is level. Tighten the locking nuts again to fix the level of awning.

To adjust the inclination of the awning, adjust the angle adjuster on both arm shoulders to achieve the desired inclinaton. Fix the locking nuts when the awning is level.



How to connect the motor:

The power connection must be carried out by an authorised electrician. The cord on the awning is 1,8 m and must not be replaced.

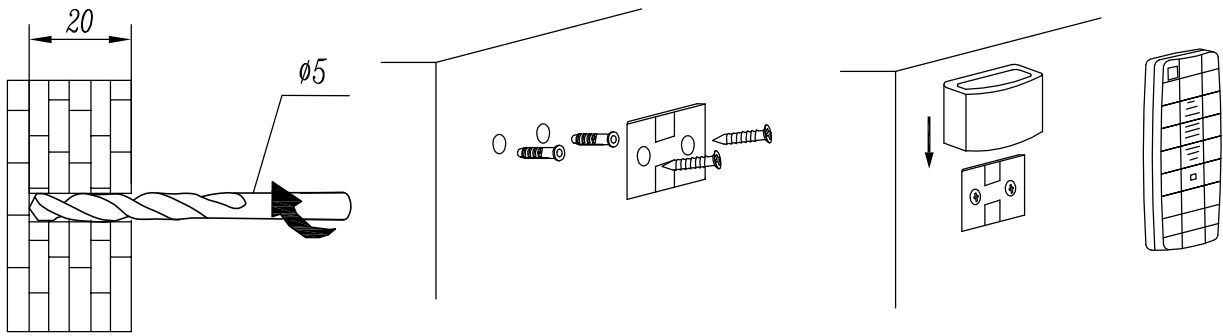


Operation instructions

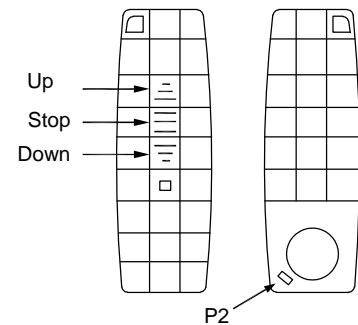
⚠ Attention: Well finish the setting program already for all electric items, final client no need adjust the motor again.

⚠ Attention: the users can not use the awning more than two rounds, or if more than 2 rounds, the motor will automatically enter into overheating protection and when u push the remote control, the awning body would not move, the users must cut off the power and wait half an hour

Remote control

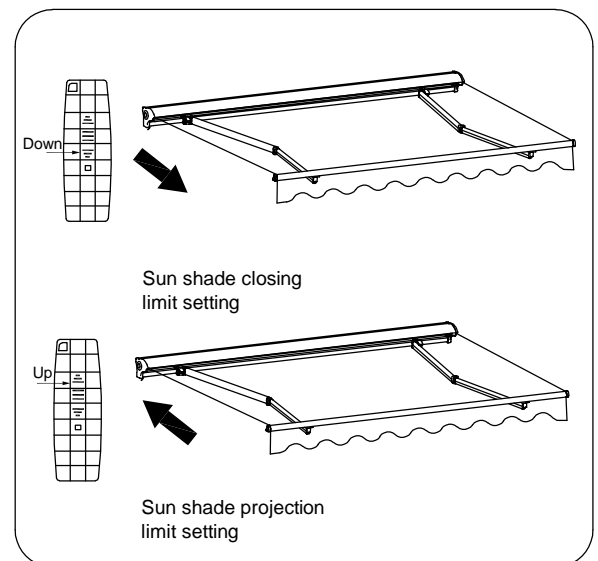
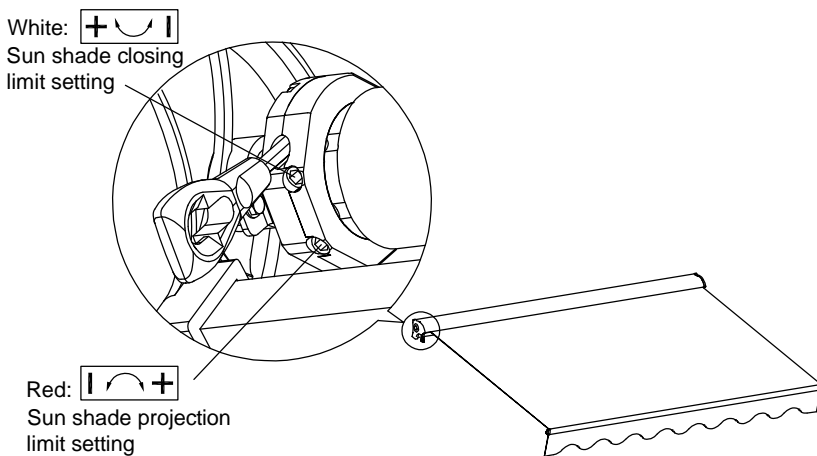


Press button	Function
Up	Retract / close the awning
Stop	stop opening/closing process
Down	extract / open the awning



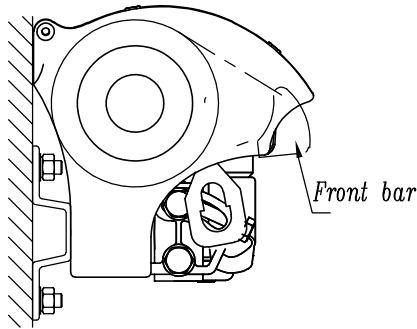
Shade travel limit adjustment

1. Customers can adjust and set the positions of sun shade travel limit by themselves.
2. According to motor rotating direction, adjust the travel limit with the use of the 4mm hex wrench:the direction of "+" is increasing the travel limit and "-" is to reduce the travel limit .
- 3.After setting,open and close the awning with the switch and check if the setting is satisfactory.If not,repeat step 2.

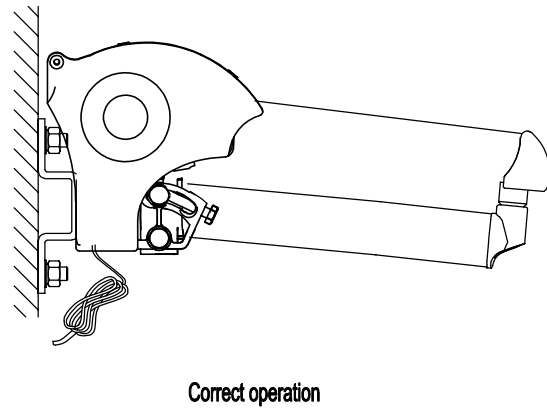
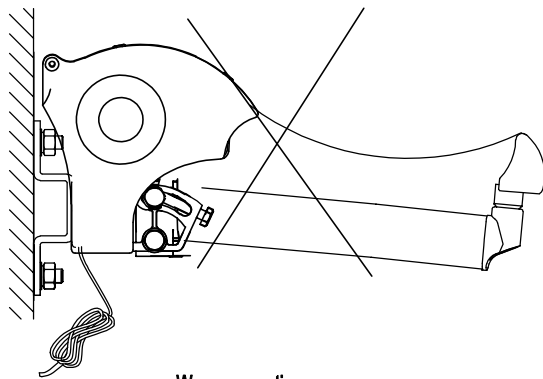


4. After setting, open and close the awning with the remote control and check if the setting is satisfactory. If not, repeat step 1.

Description of mistake



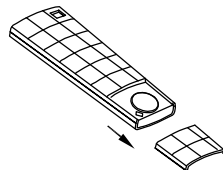
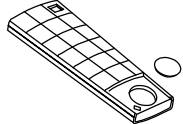
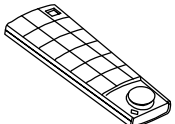
Warning: When the front bar touches the roller as shown in the figure, don't try to make them closer, otherwise the product might be damaged.



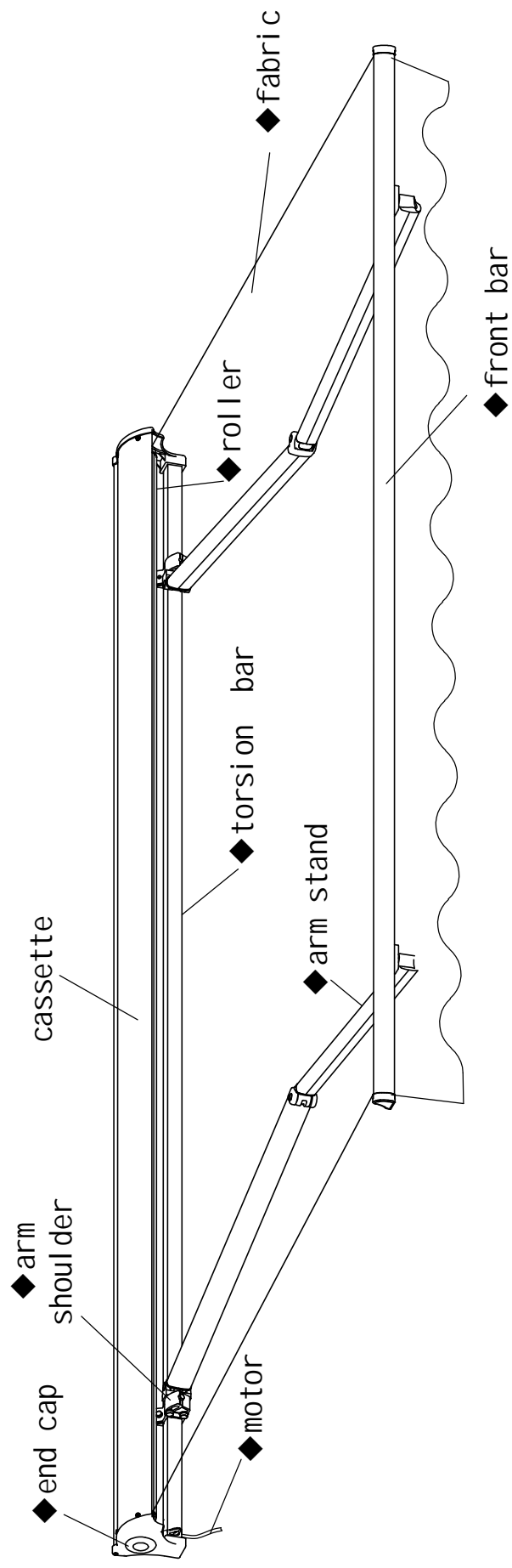
Re-initialization of the remote control

Turn off the power supply for about 10s, then power on. Press "P2" key of the remote control twice, afterward press the "UP" button for the set up of retraction. Repeat the above steps, except press the "DOWN" button for the set up of extraction.

Change the batteries of the remote control

<p>1. Open the lid of the battery.</p>	
<p>2. Get out the battery, pay attention to the direction of installation.</p>	
<p>3. Put in a new battery. Close the lid of the battery.</p>	

Names of the parts



※ Note:

1. When the parts with ◆ are damaged, don't use the product before they are replaced.

DANCOVER[®]

.com

Contact information

Head office:

Dancover A/S
Nordre Strandvej 119 G
3150 Hellebæk
Denmark

For more information
please visit:
www.dancovershop.com

National contact

Denmark: 70 26 76 20
denmark@dancover.com

UK: 020 8099 7570
uk@dancover.com

Germany: 041 0266 7040
germany@dancover.com

France: 0975 181 800
france@dancover.com

Sweden: 040 233 262
sverige@dancover.com

Finland: 0 931 581 720
suomi@dancover.com

Poland: 22 300 8602
polska@dancover.com

Luxembourg: +49 041 0266 7040
luxembourg@dancover.com

Portugal: 308 800 899
portugal@dancover.com

Spain: 911 436 828
espana@dancover.com

Italy: 02 479 21 198
italia@dancover.com

Switzerland: 0840 000125
schweiz@dancover.com

Austria: 0662 626935
austria@dancover.com

Norway: 231 00 690
norge@dancover.com

Nederland: 0 858 880 524
nederland@dancover.com

Ireland: 0 151 33 003
ireland@dancover.com

Belgium: 0 28 08 08 09
belgique@dancover.com