

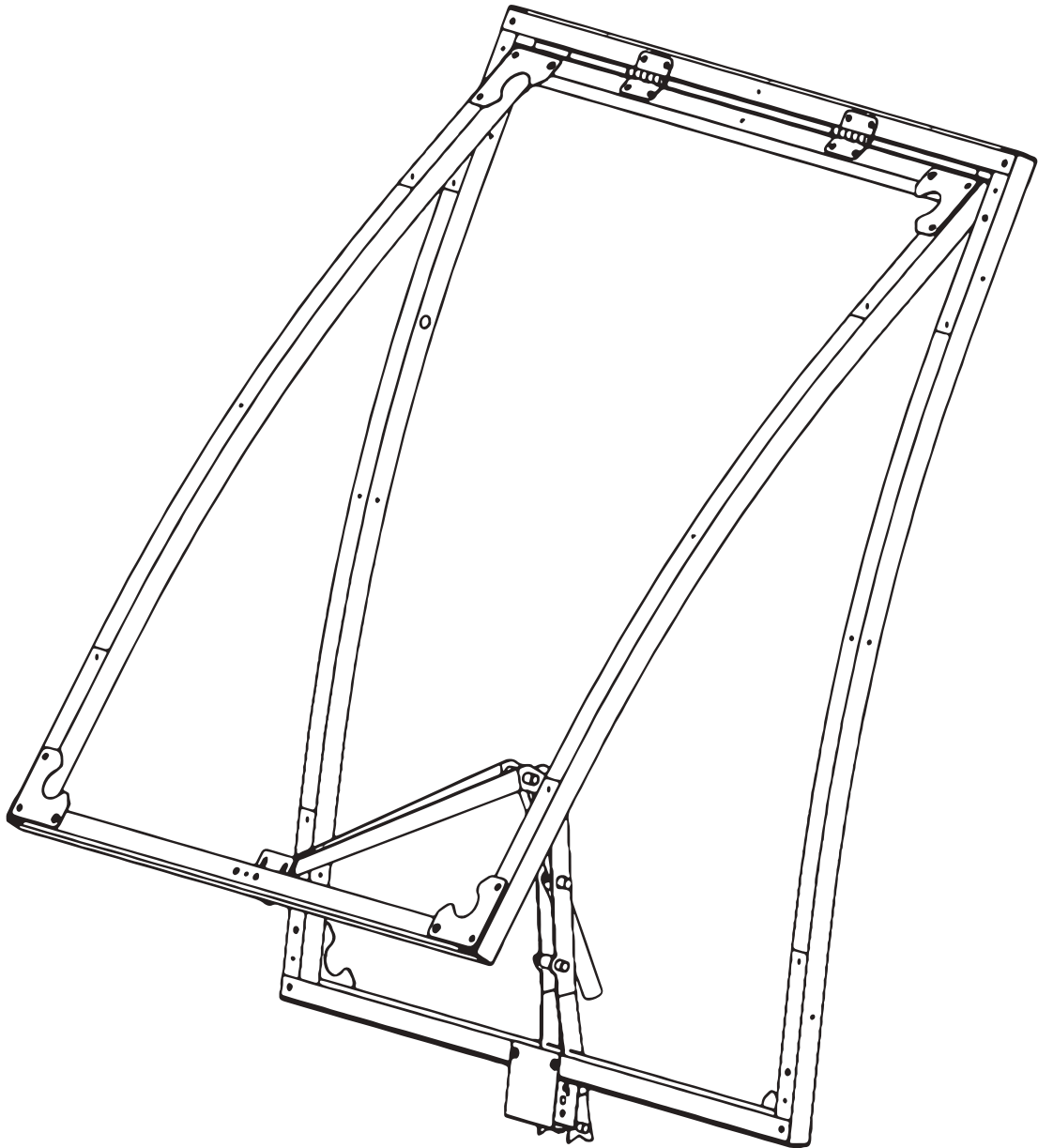
DANCOVER[®]

.com

Manual
for
Ventilation Window
for
Greenhouse Strong NOVA

VENTILATION WINDOW

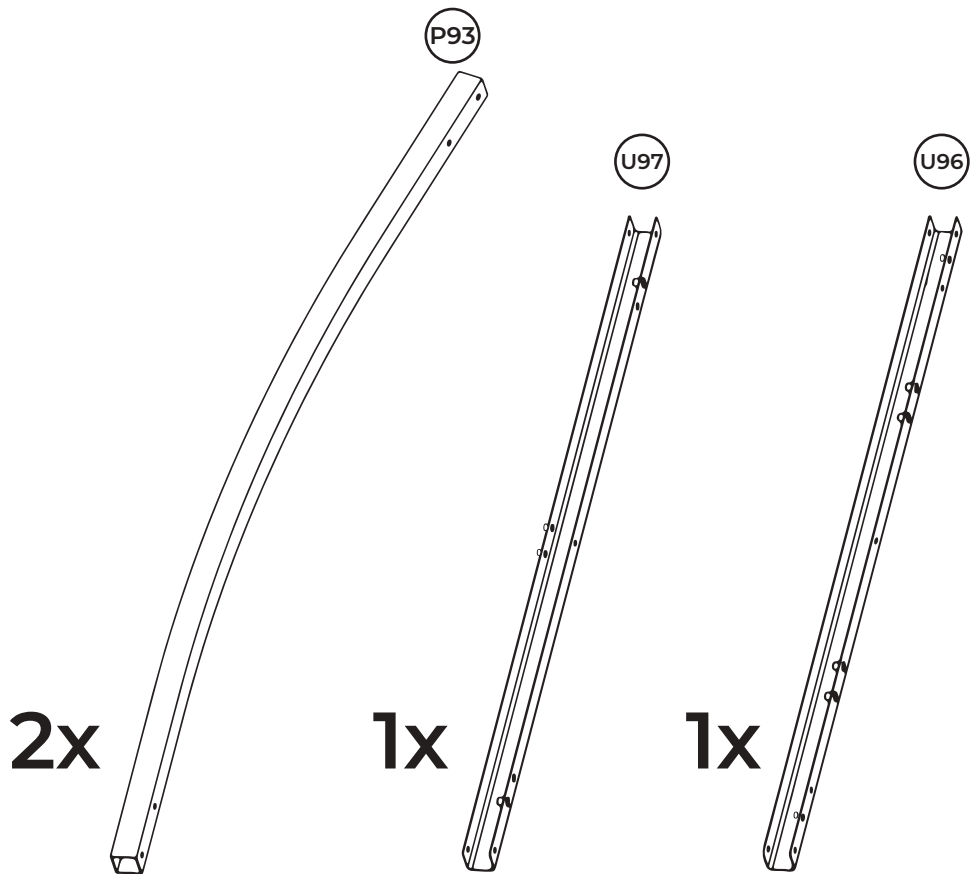
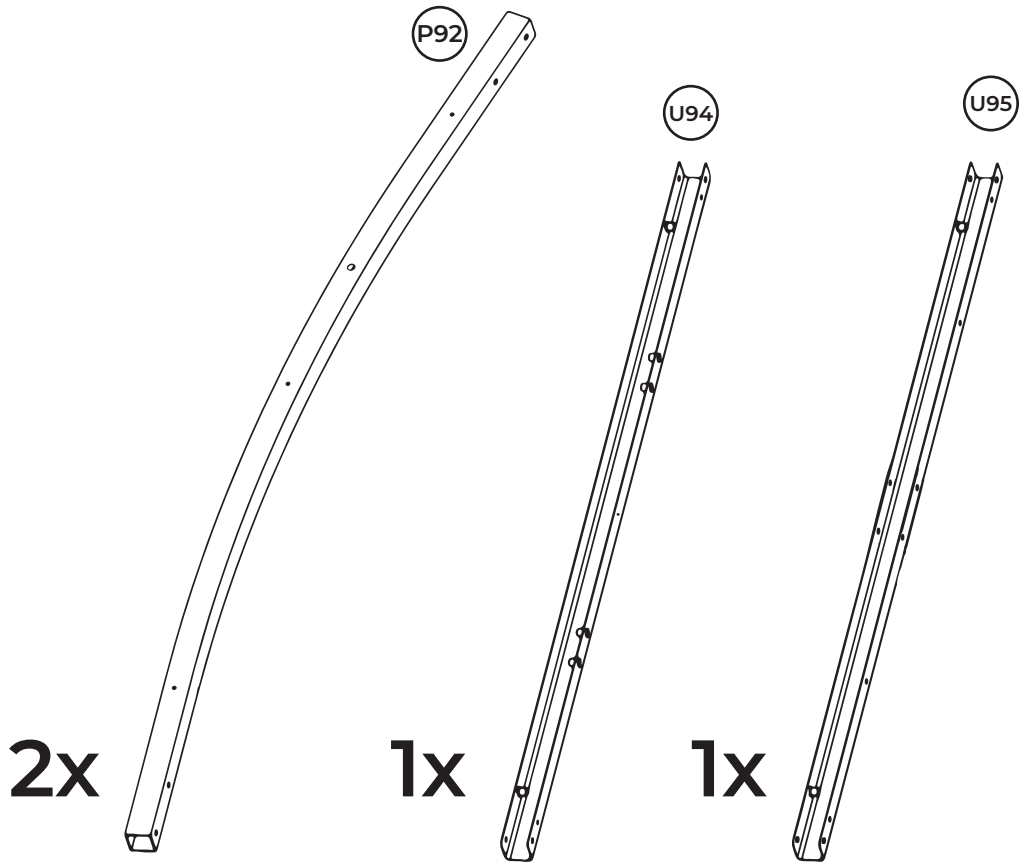
with automatic ventilation system

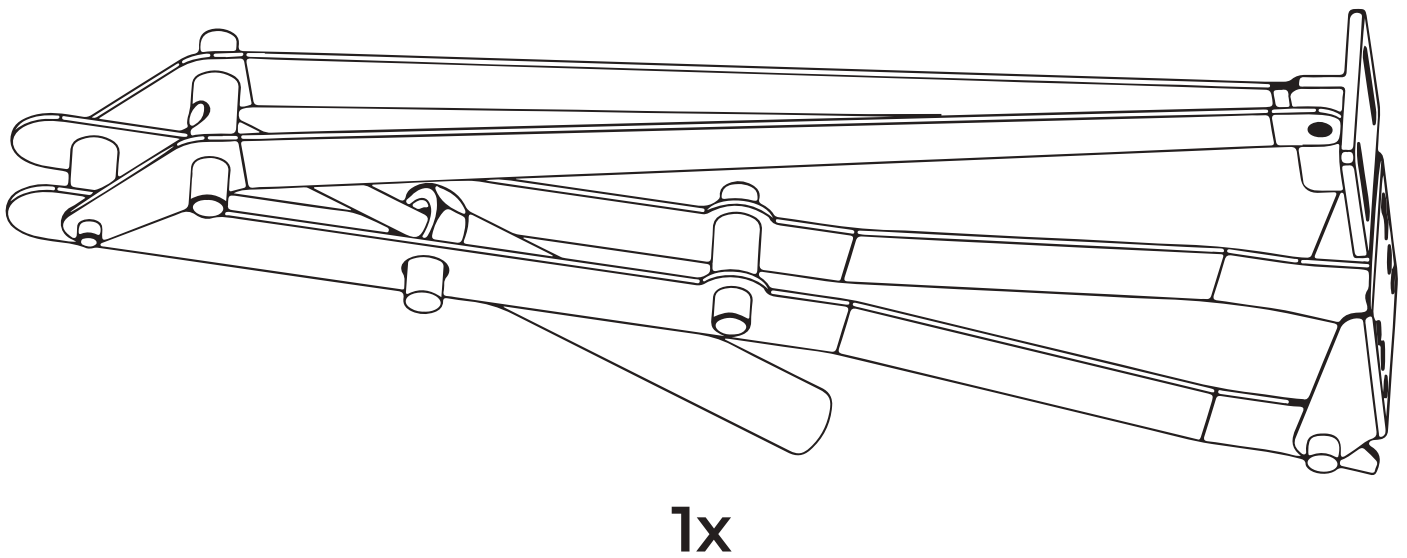
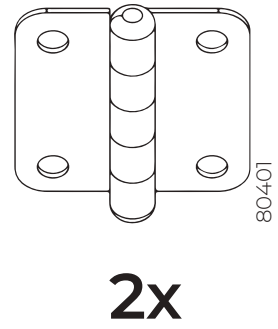
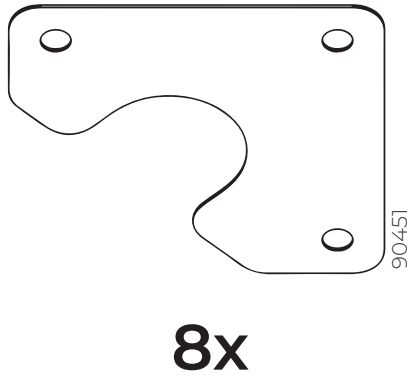
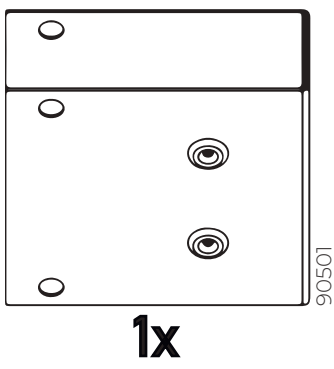
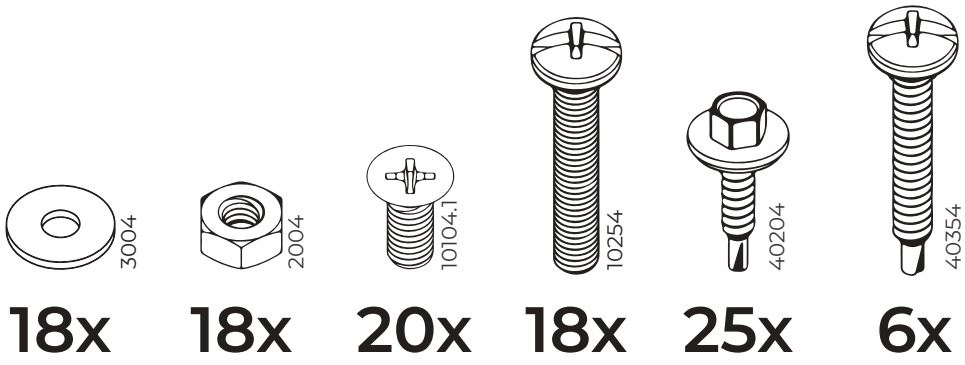


The vent for the greenhouse Strong NOVA is designed to the Greenhouse ventilation and is installed in the roof of the greenhouse with self-tapping screws with a press washer and a rubber seal. Covered with cellular polycarbonate.

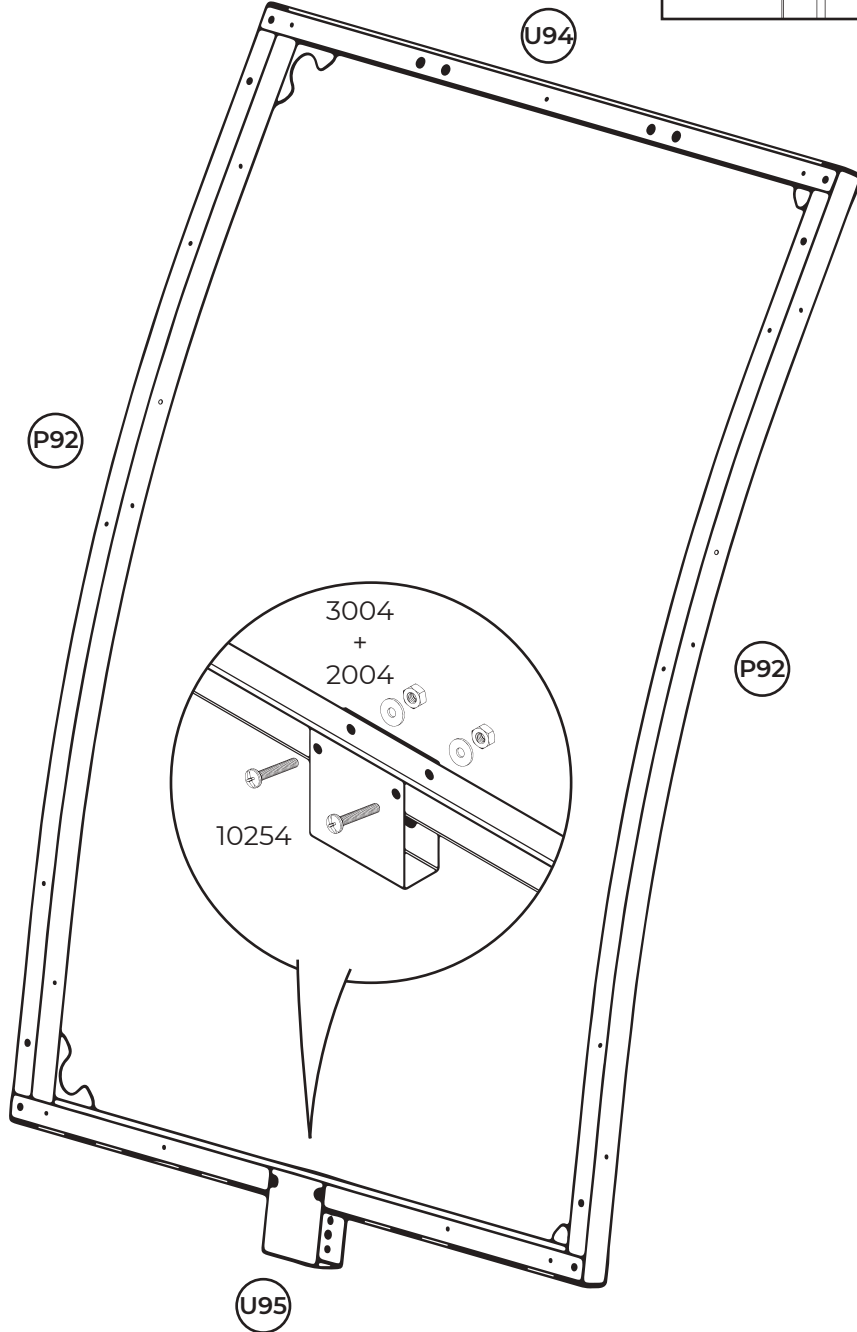
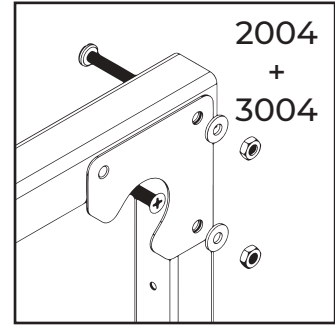
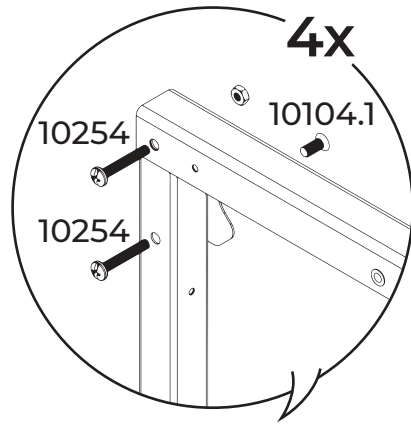
The vent is made of 20x20mm steel profile pipe. Includes a screw to fix the inside of the closed position, as well as self-tapping screws for mounting.

The company reserves the right to change the design in order to improve the consumer qualities of the product. Due to continuous improvement of product design and technological process there may be some minor differences between the datasheet and the product that do not reduce the consumer qualities of the product.

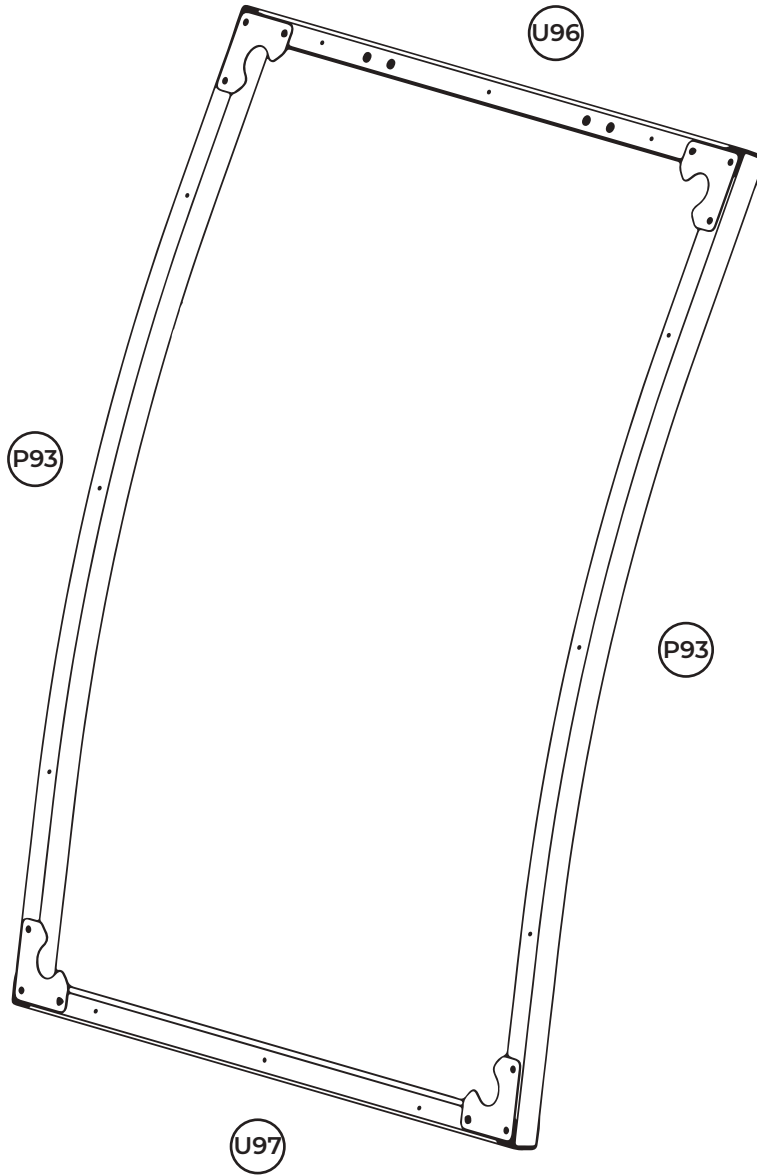
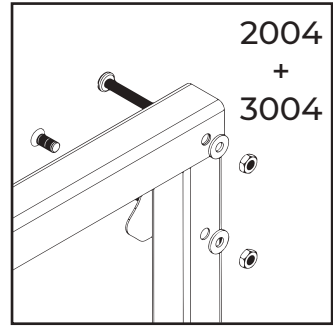
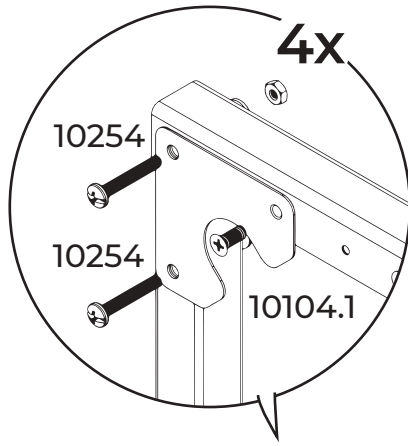




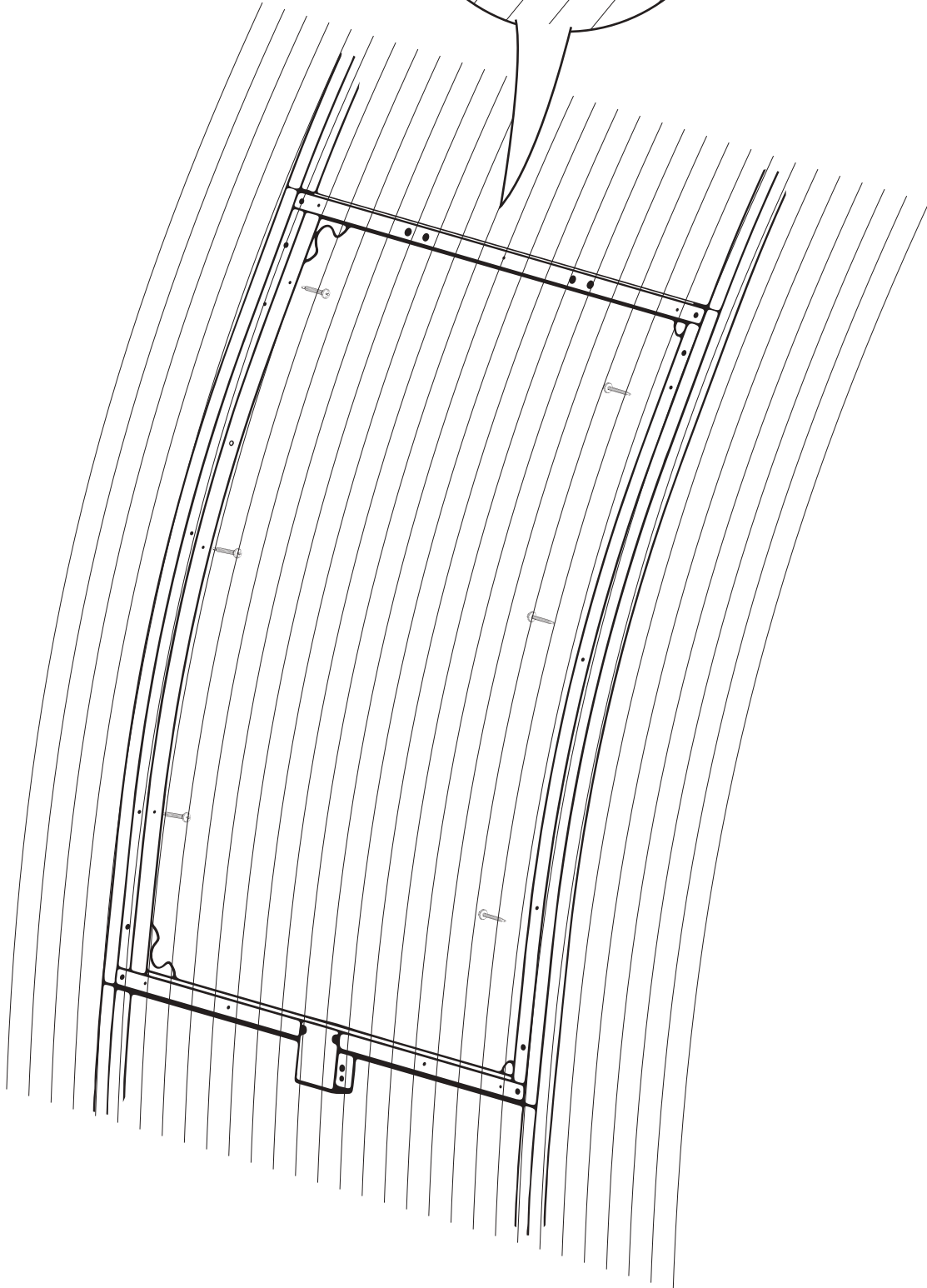
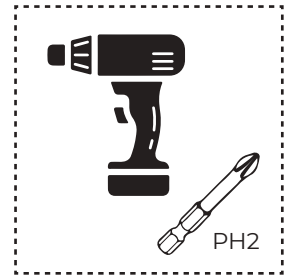
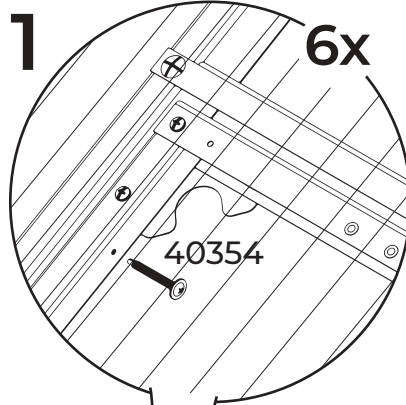
1



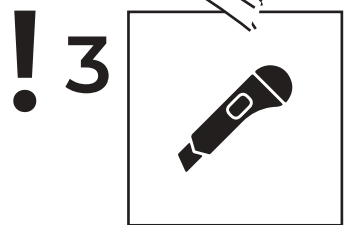
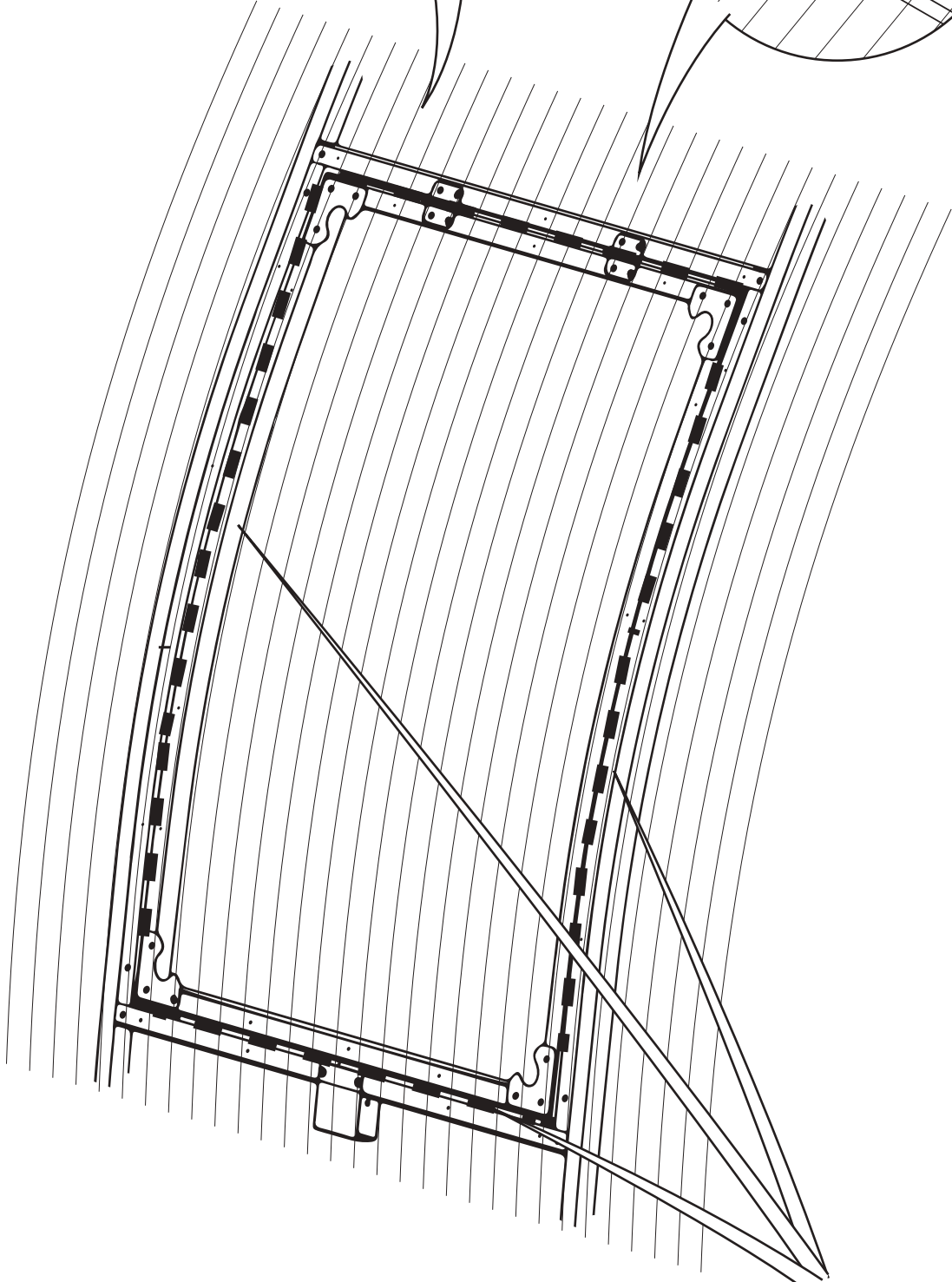
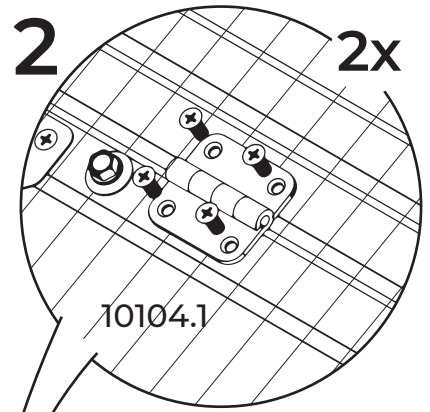
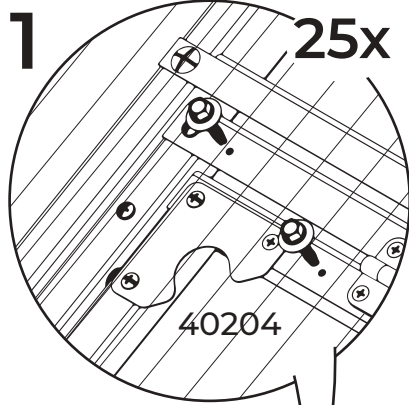
2



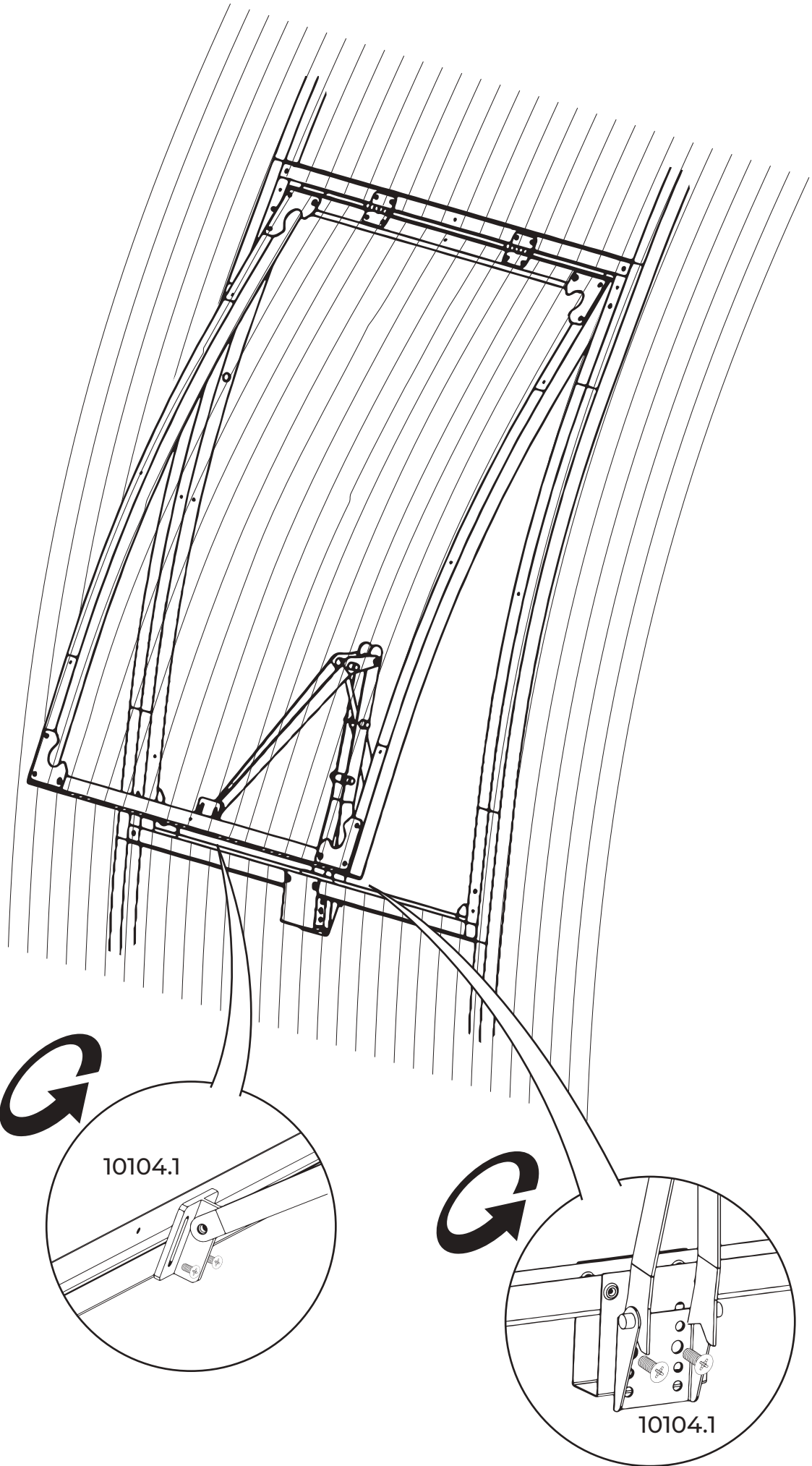
3



4



5



Contact information

Austria



Belgium



Croatia



Denmark



Estonia



Finland



France



Germany



Ireland



Italy



Latvia



Lithuania



Nederland



Norway



Poland



Portugal



Spain



Sweden



Switzerland



UK

