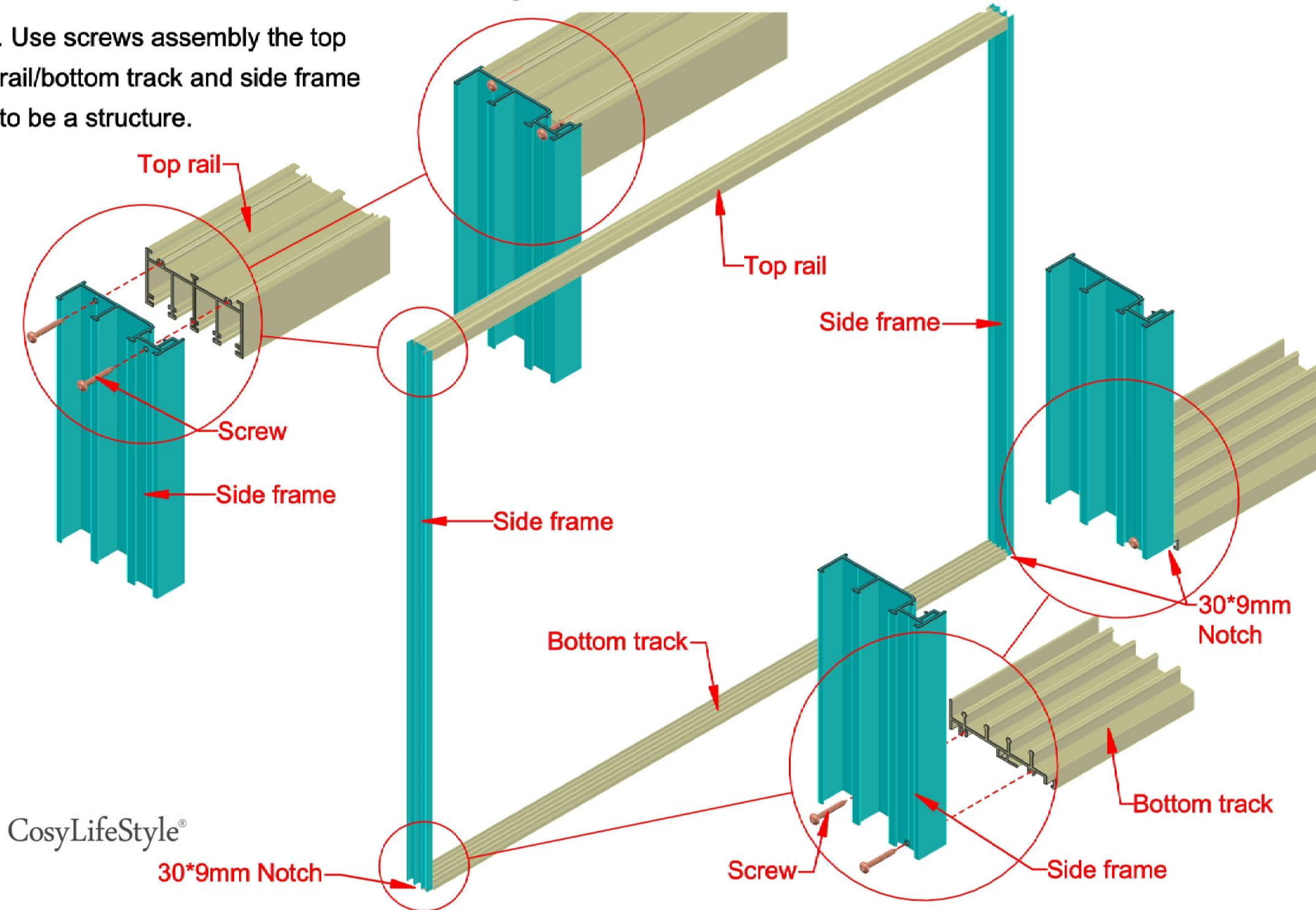


CosyLifeStyle®

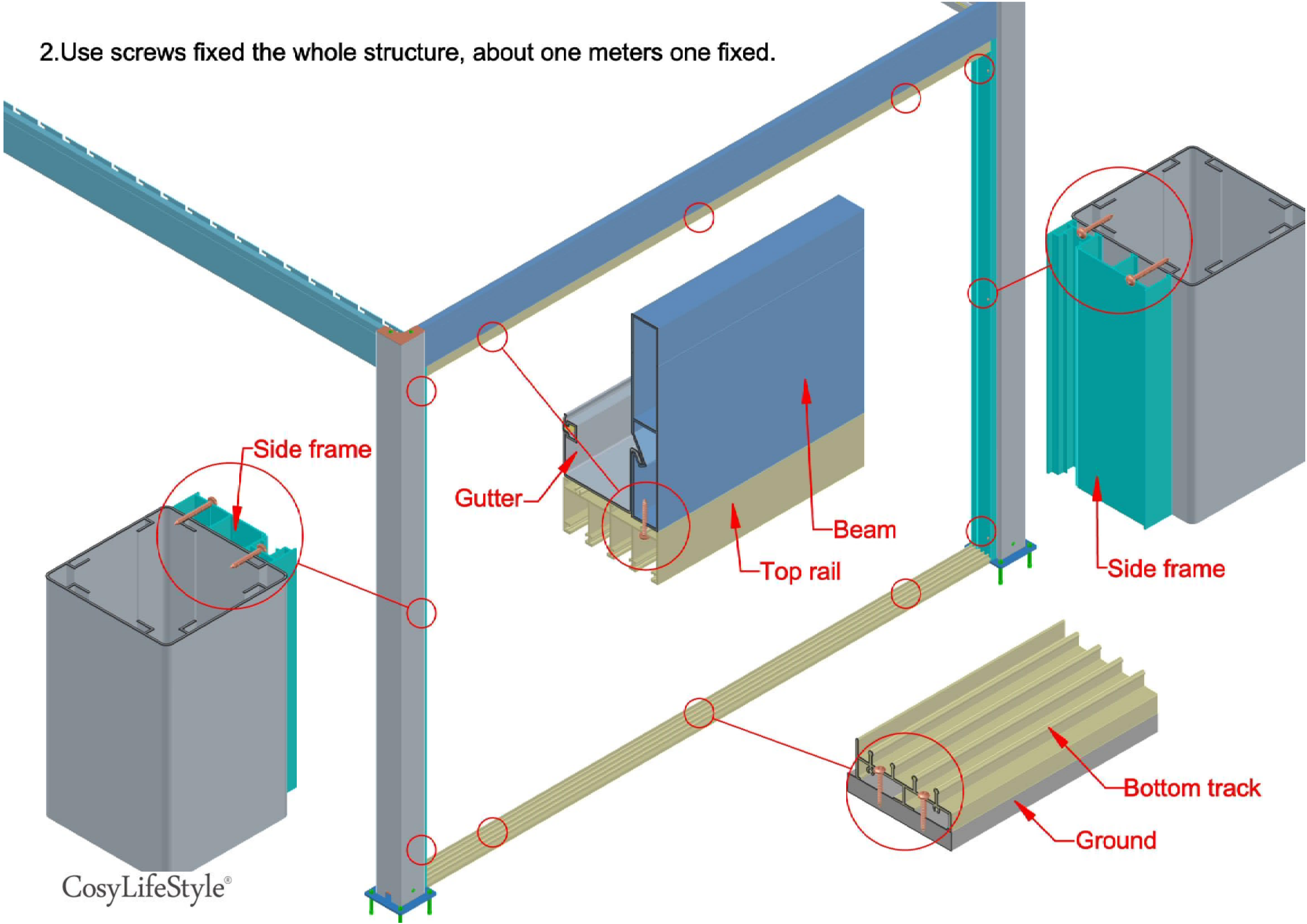
Manual
for
Sliding Door Set
for Pergola Gazebo San Remo

Frameless Sliding Glass Door Installation Manual

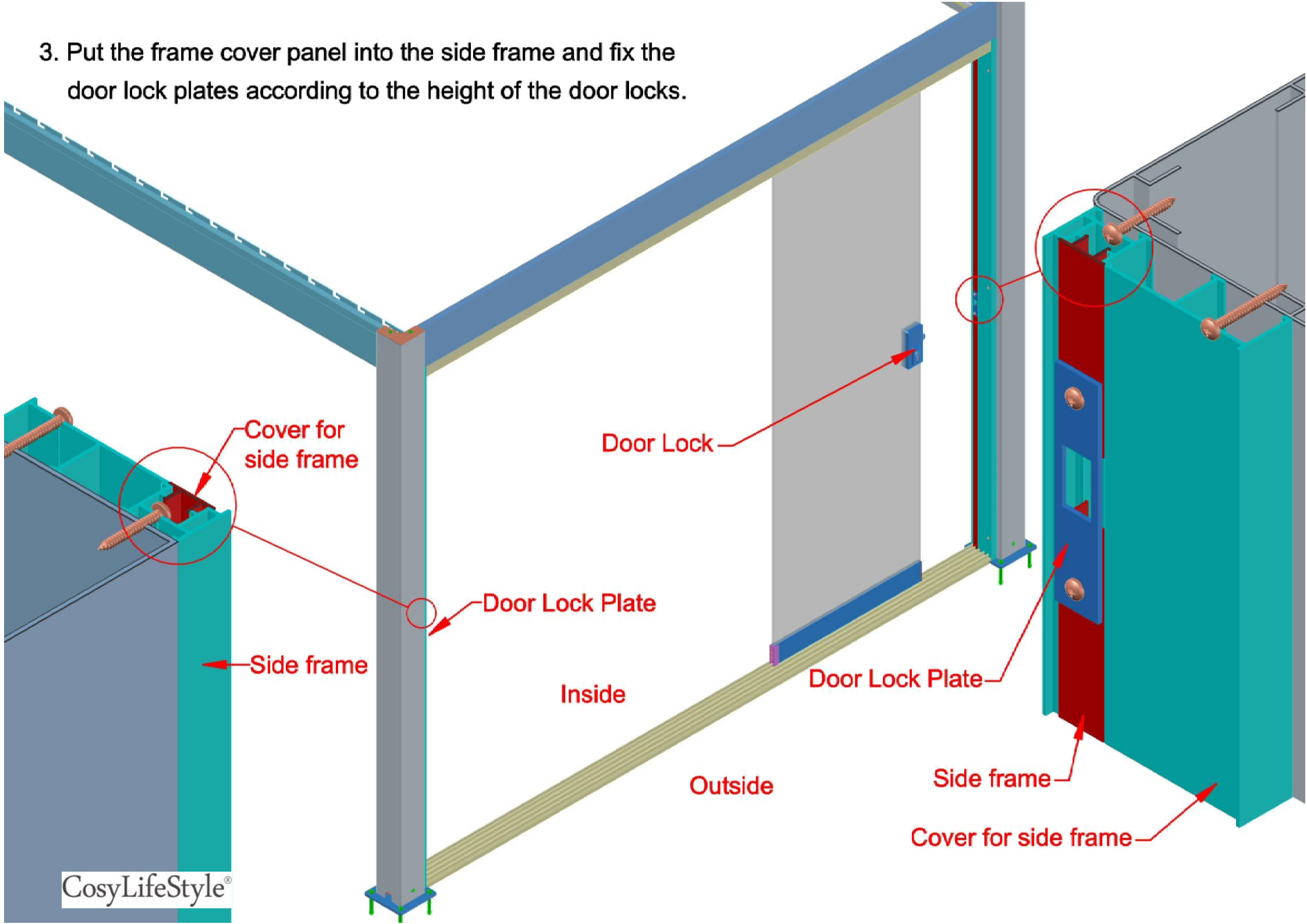
1. Use screws assembly the top rail/bottom track and side frame to be a structure.



2. Use screws fixed the whole structure, about one meters one fixed.

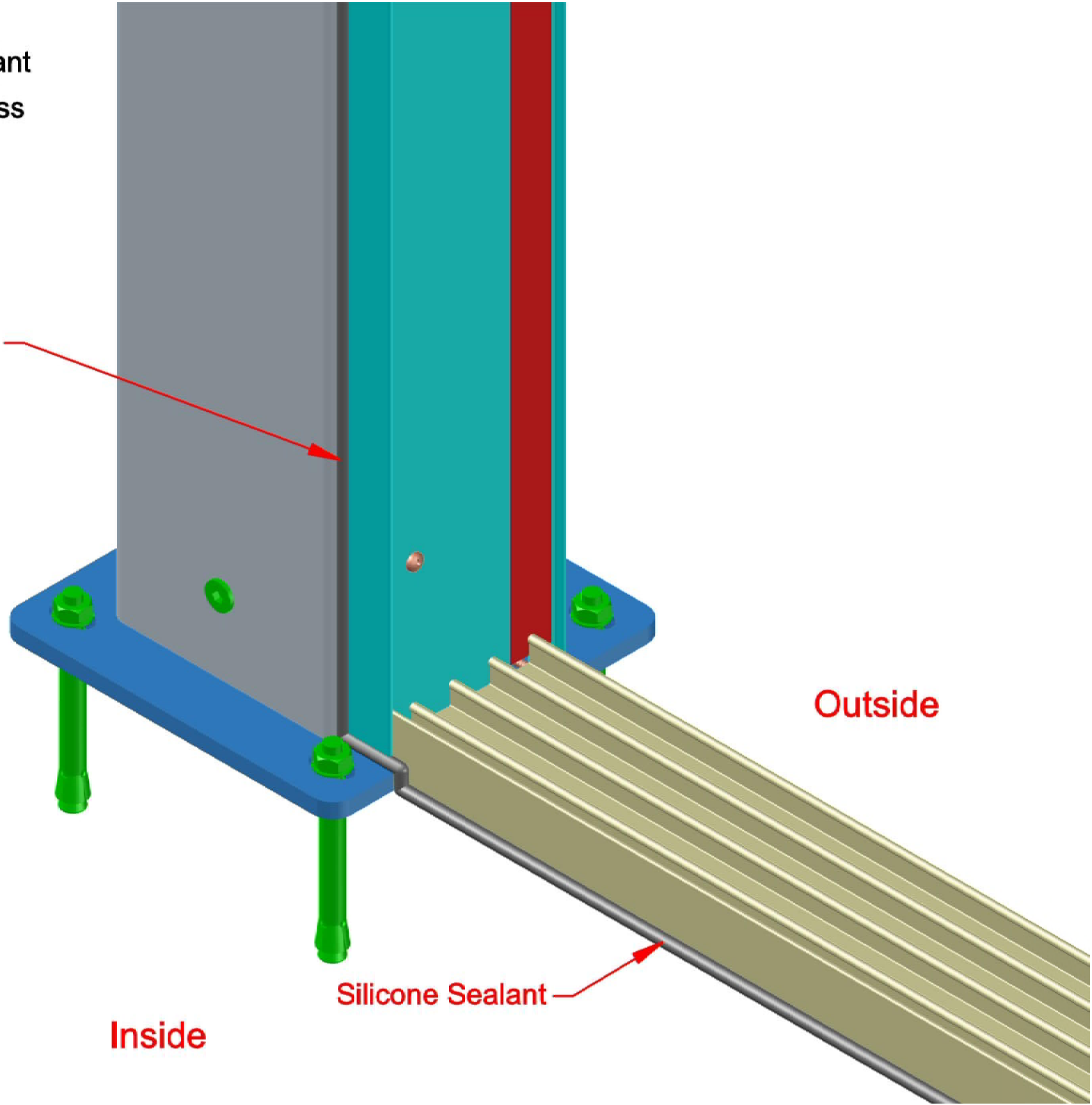


3. Put the frame cover panel into the side frame and fix the door lock plates according to the height of the door locks.



4. As shown, apply silicone sealant on the inside of the sliding glass door frame.

Silicone Sealant



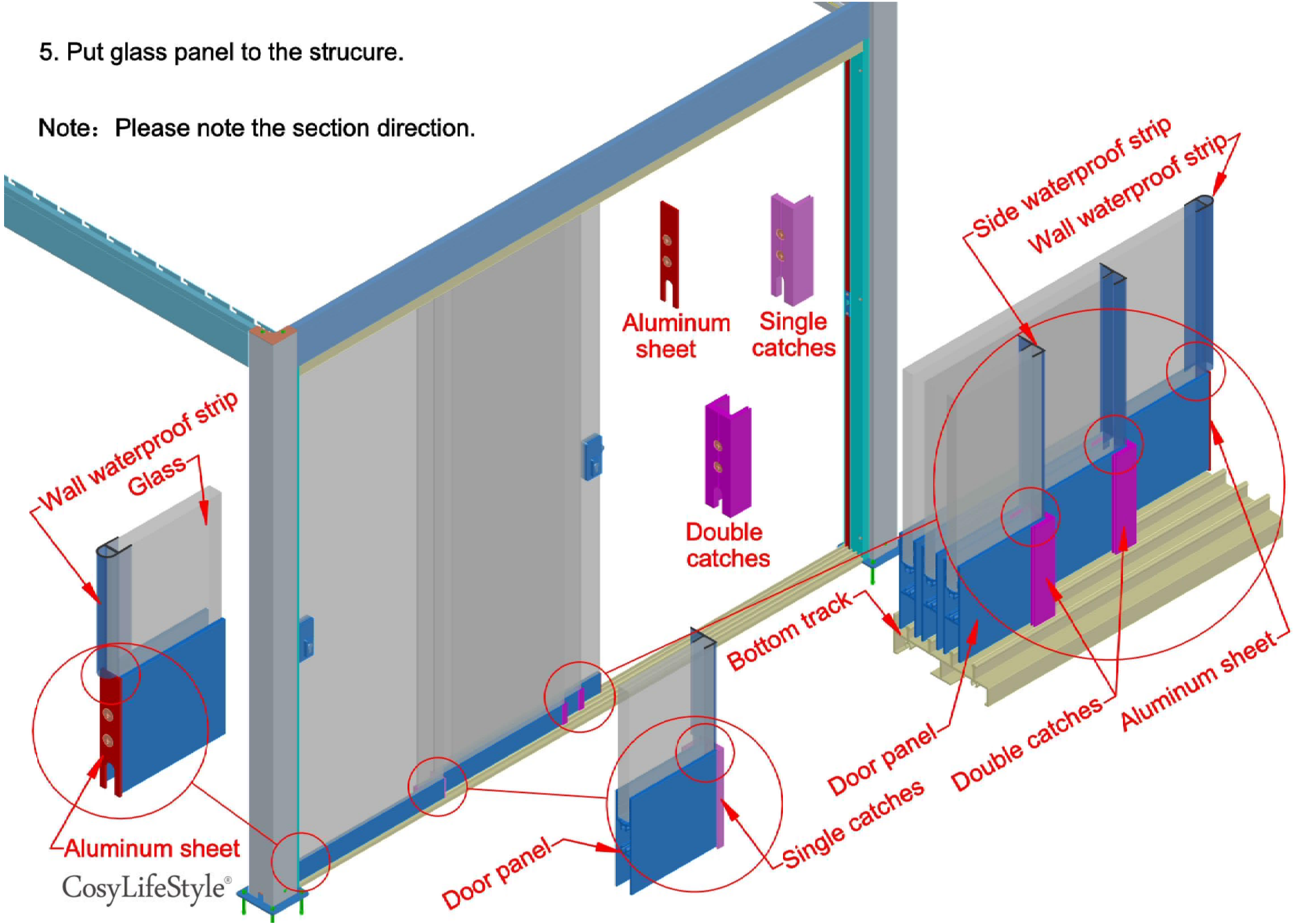
Outside

Silicone Sealant

Inside

5. Put glass panel to the structure.

Note: Please note the section direction.



DANCOVER[®]



Contact information

Head office:

Dancover A/S

Lyngevej 16A, Nørre Herlev

3400 Hillerød, Denmark

For more information please visit:

www.dancovershop.com

National contact

Denmark:

denmark@dancover.com

Sweden:

[sverige@dancover.com](mailto: sverige@dancover.com)

Spain:

espana@dancover.com

Norway:

norge@dancover.com

UK:

uk@dancover.com

Finland:

suomi@dancover.com

Italy:

italia@dancover.com

Nederland:

nederland@dancover.com

Germany:

germany@dancover.com

Poland:

polska@dancover.com

Switzerland:

schweiz@dancover.com

Ireland:

ireland@dancover.com

France:

france@dancover.com

Portugal:

portugal@dancover.com

Austria:

austria@dancover.com

Belgium:

belgique@dancover.com

Luxembourg:

luxembourg@dancover.com