



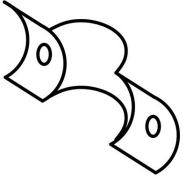
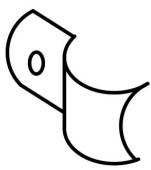
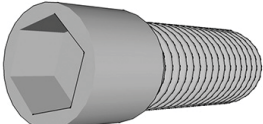
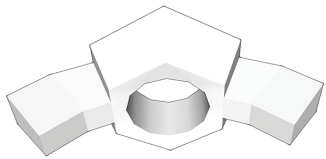
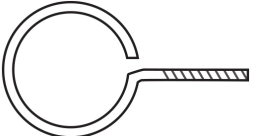
DANCOVER[®]



Manual
for
Groundbar
6m series

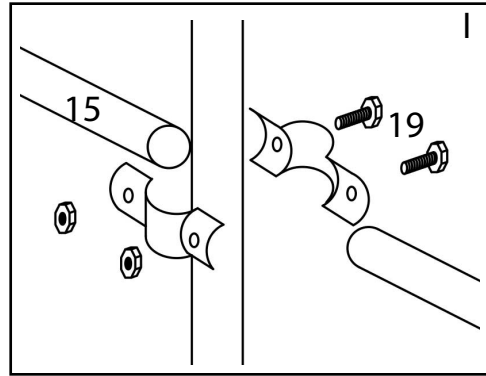
6M PARTY TENT GROUNDBAR SYSTEM

PART LIST

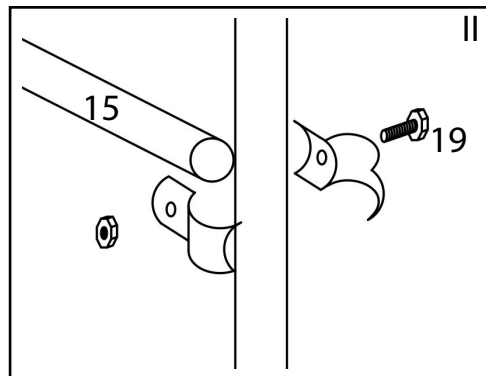
Part no	Description		6x6m	6x8m
15	Pipe 1940mm		12	14
16	Long connector 200mm		4	4
17	4-way connector		8	12
18	3-way connector		16	16
19	Screw		18	22
20	Wingnut		18	22
21	O-screw		8	8

Assembly for Groundbar 6m

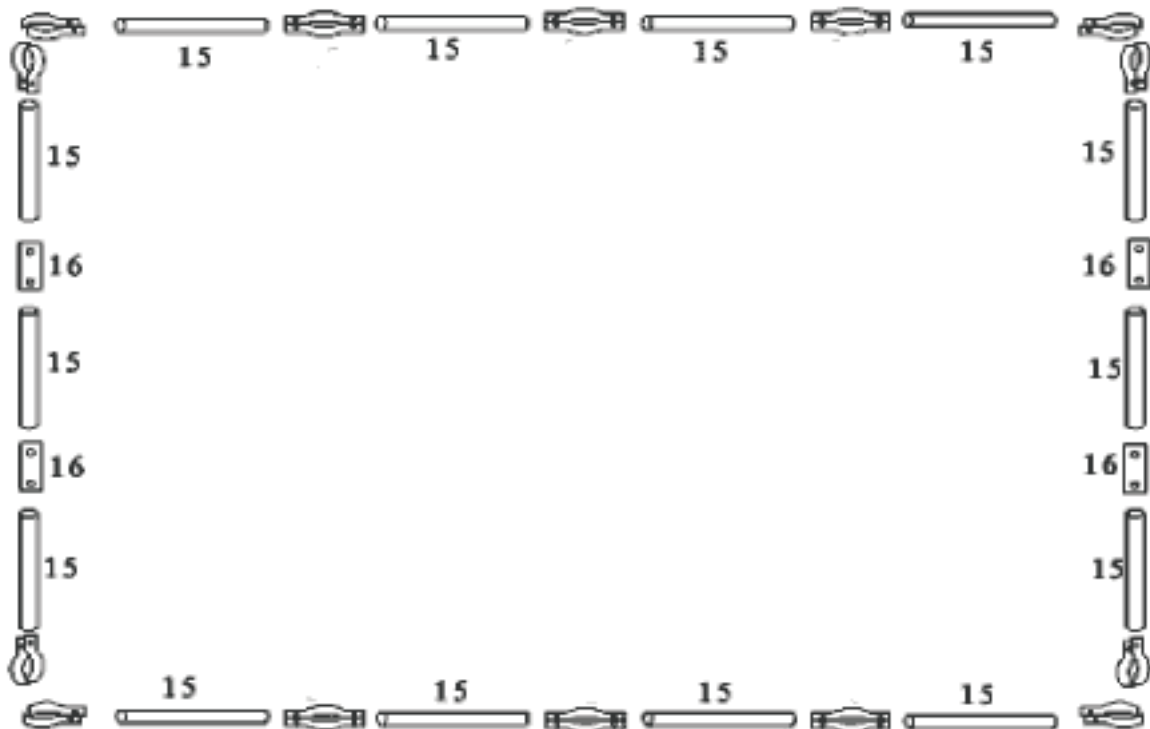
4-way connector (17)



3-way connector (18)



Lay all pipes and connectors on the ground as the following picture shows and connect them as pictures I & II show. Fasten the screws securely afterwards. Use O-screws (21) to secure long connector (16) to the pipe (15).



DANCOVER[®]

.com

Contact information

Head office:

Dancover A/S
Nordre Strandvej 119 G
3150 Hellebæk
Denmark

For more information
please visit:
www.dancovershop.com

National contact

Denmark: 70 26 76 20
denmark@dancover.com

UK: 020 8099 7570
uk@dancover.com

Germany: 041 0266 7040
germany@dancover.com

France: 0975 181 800
france@dancover.com

Sweden: 040 233 262
sverige@dancover.com

Finland: 0 931 581 720
suomi@dancover.com

Poland: 22 300 8602
polska@dancover.com

Luxembourg: +49 041 0266 7040
luxembourg@dancover.com

Portugal: 308 800 899
portugal@dancover.com

Spain: 911 436 828
espana@dancover.com

Italy: 02 479 21 198
italia@dancover.com

Switzerland: 0840 000125
schweiz@dancover.com

Austria: 0662 626935
austria@dancover.com

Norway: 231 00 690
norge@dancover.com

Nederland: 0 858 880 524
nederland@dancover.com

Ireland: 0 151 33 003
ireland@dancover.com

Belgium: 0 28 08 08 09
belgique@dancover.com