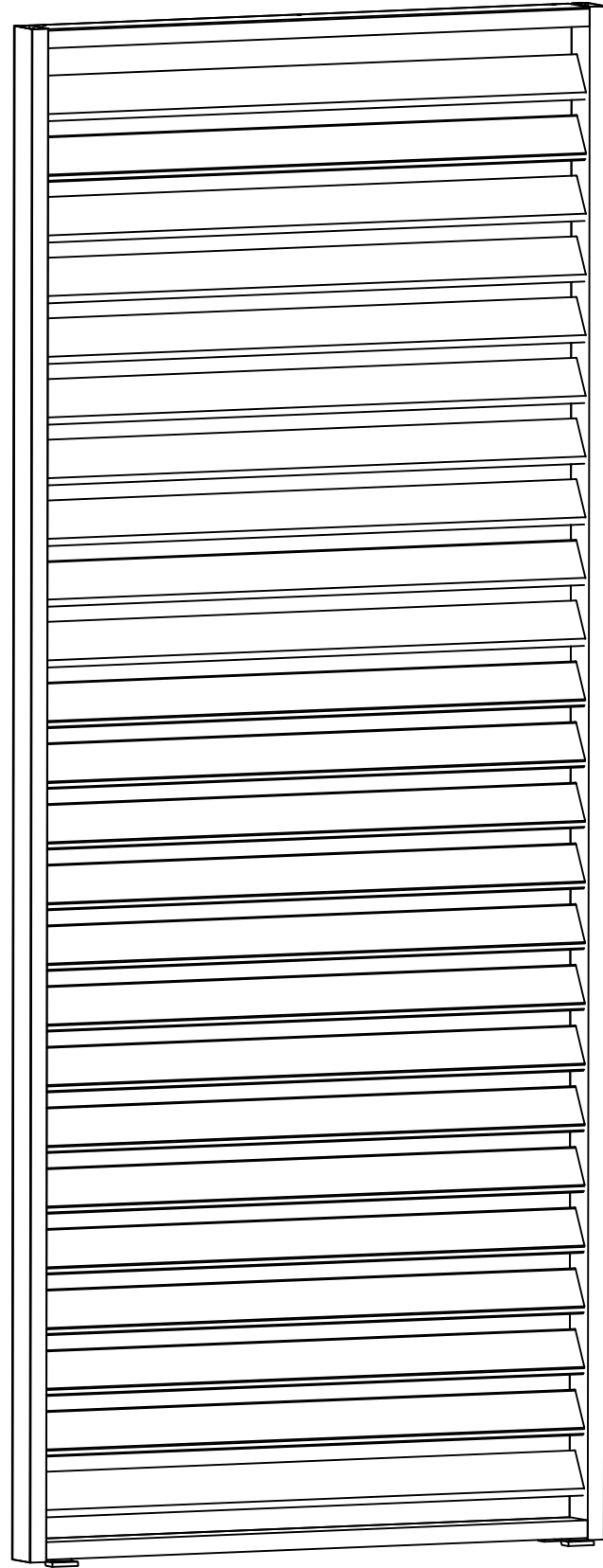


DANCOVER[®]

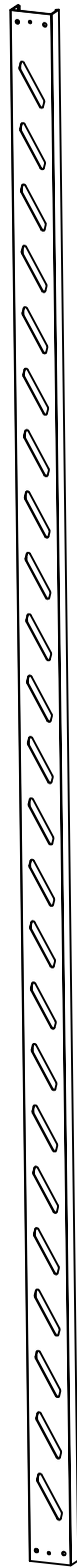


Manual
for
Louver Wall for
Pergola Gazebo San Pablo

Instruction manual Alu. Louver Wall

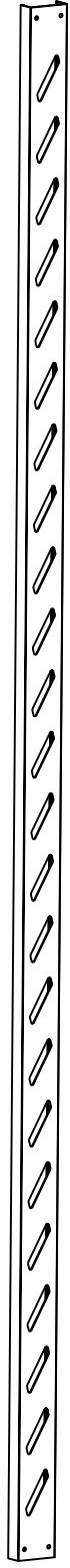


A



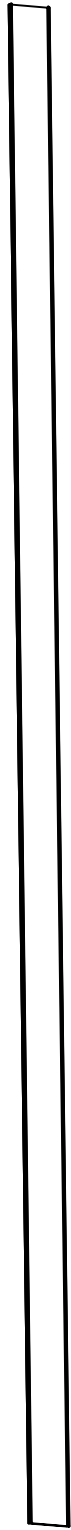
1 pc

B



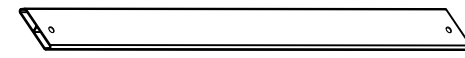
1 pc

C



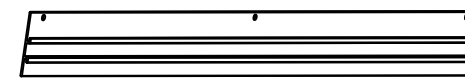
2 pcs

D



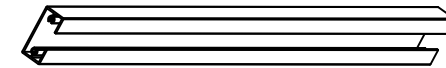
24 pcs

E



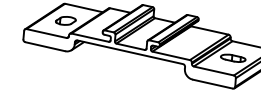
1 pc

F



2 pcs

J



2 pcs

1



6 pcs

2



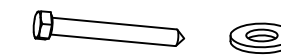
8 pcs

3



2 (or 3) pcs

4

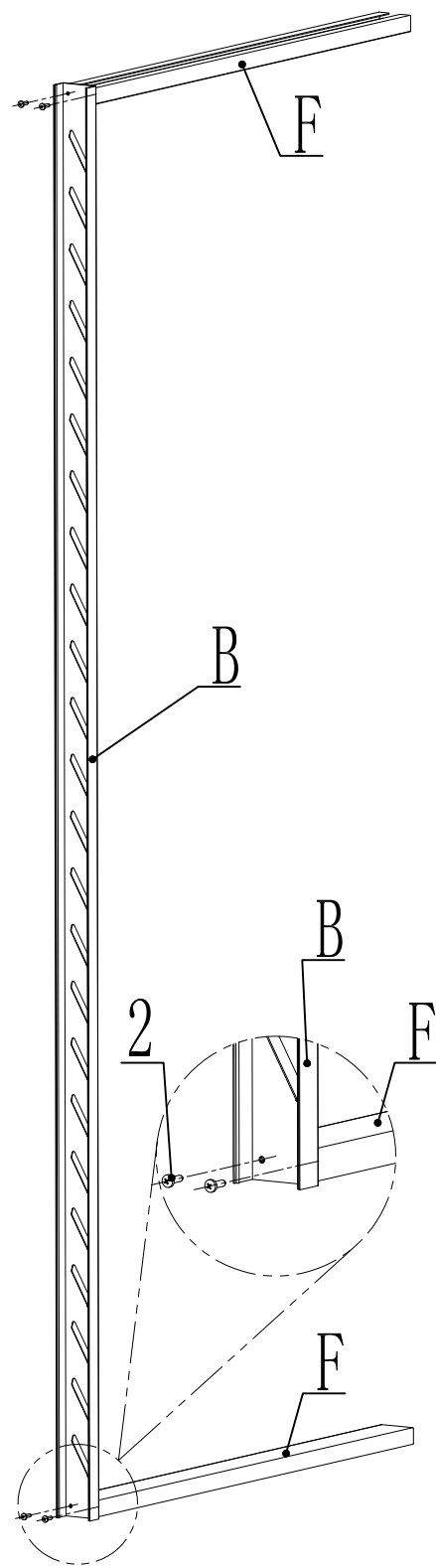


4 pcs

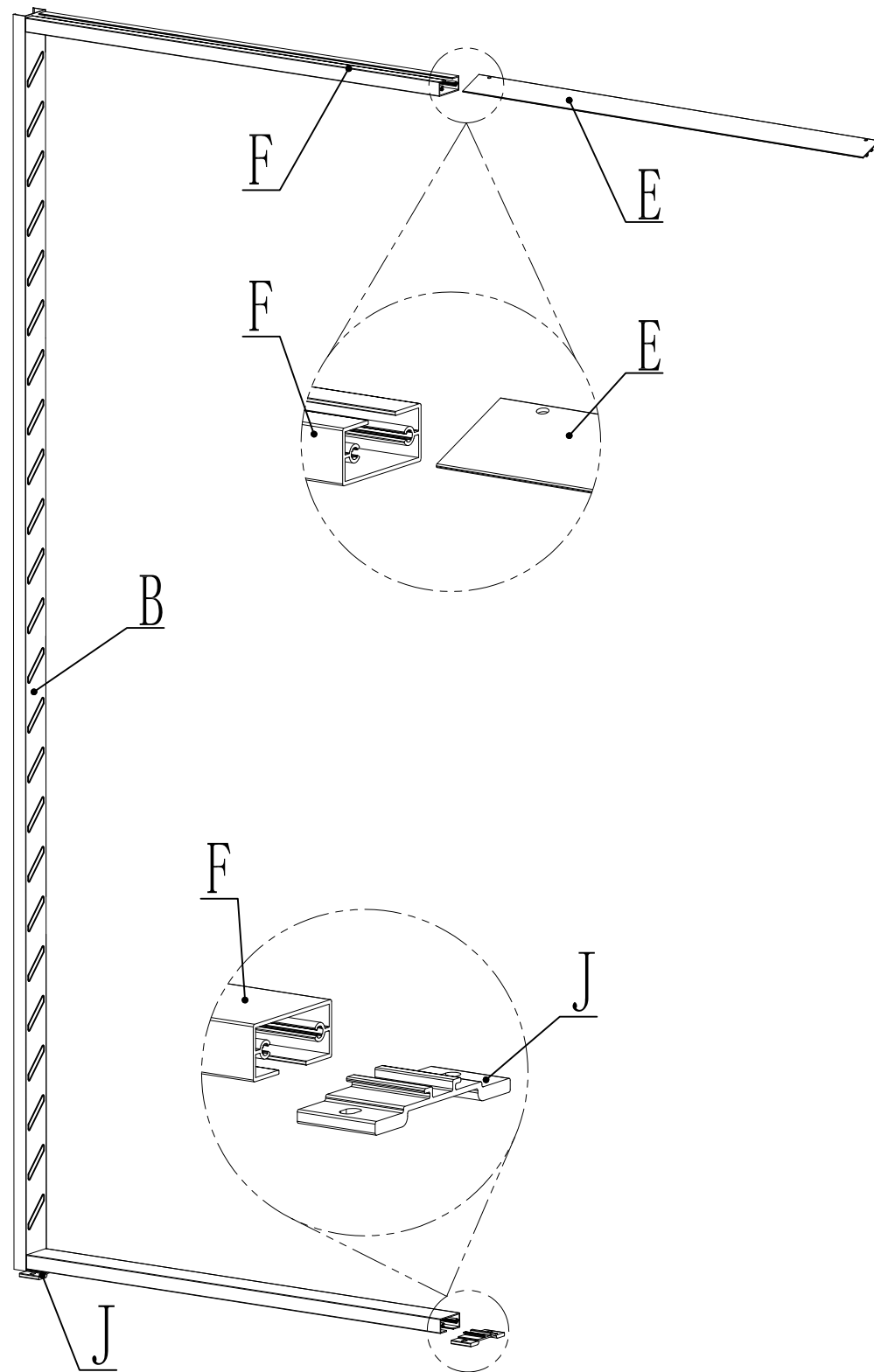
5



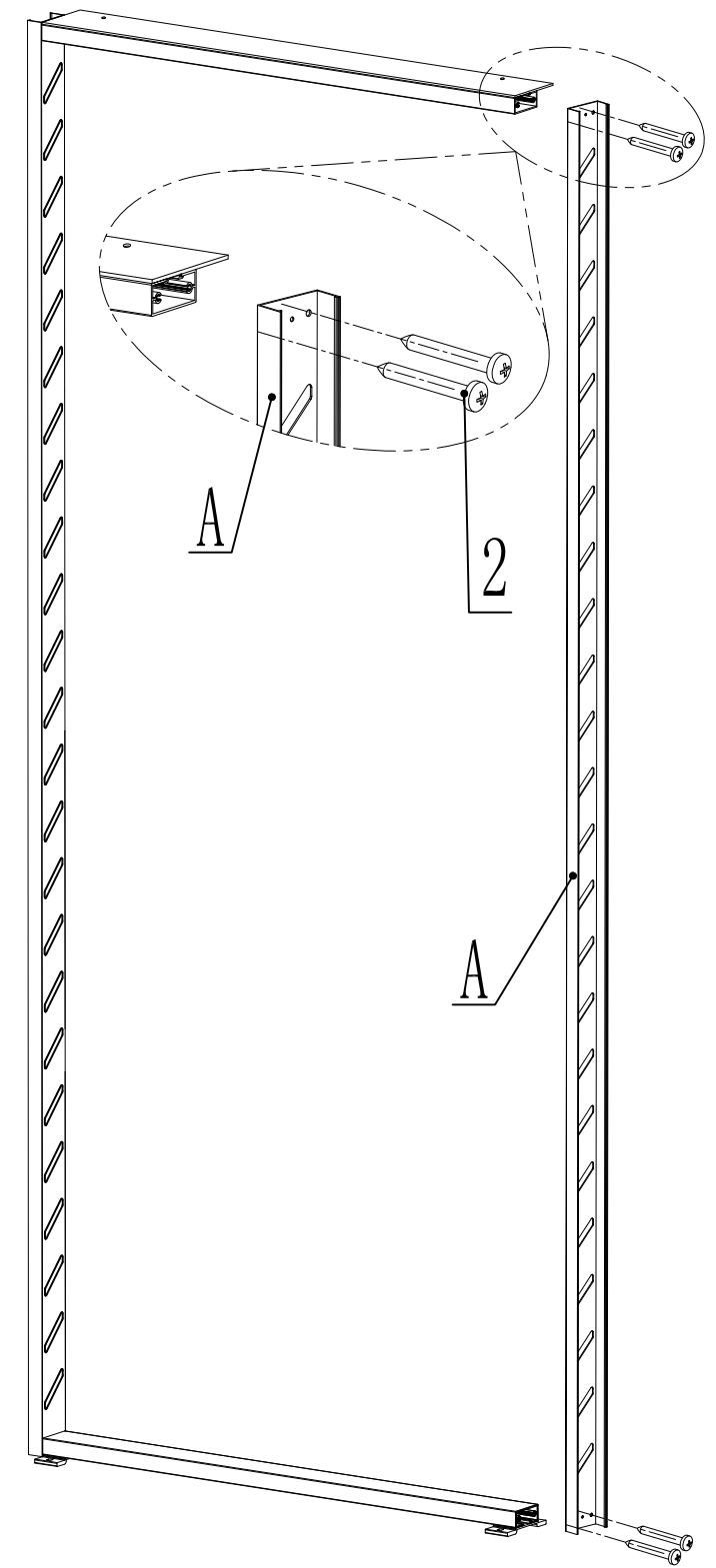
4 pcs



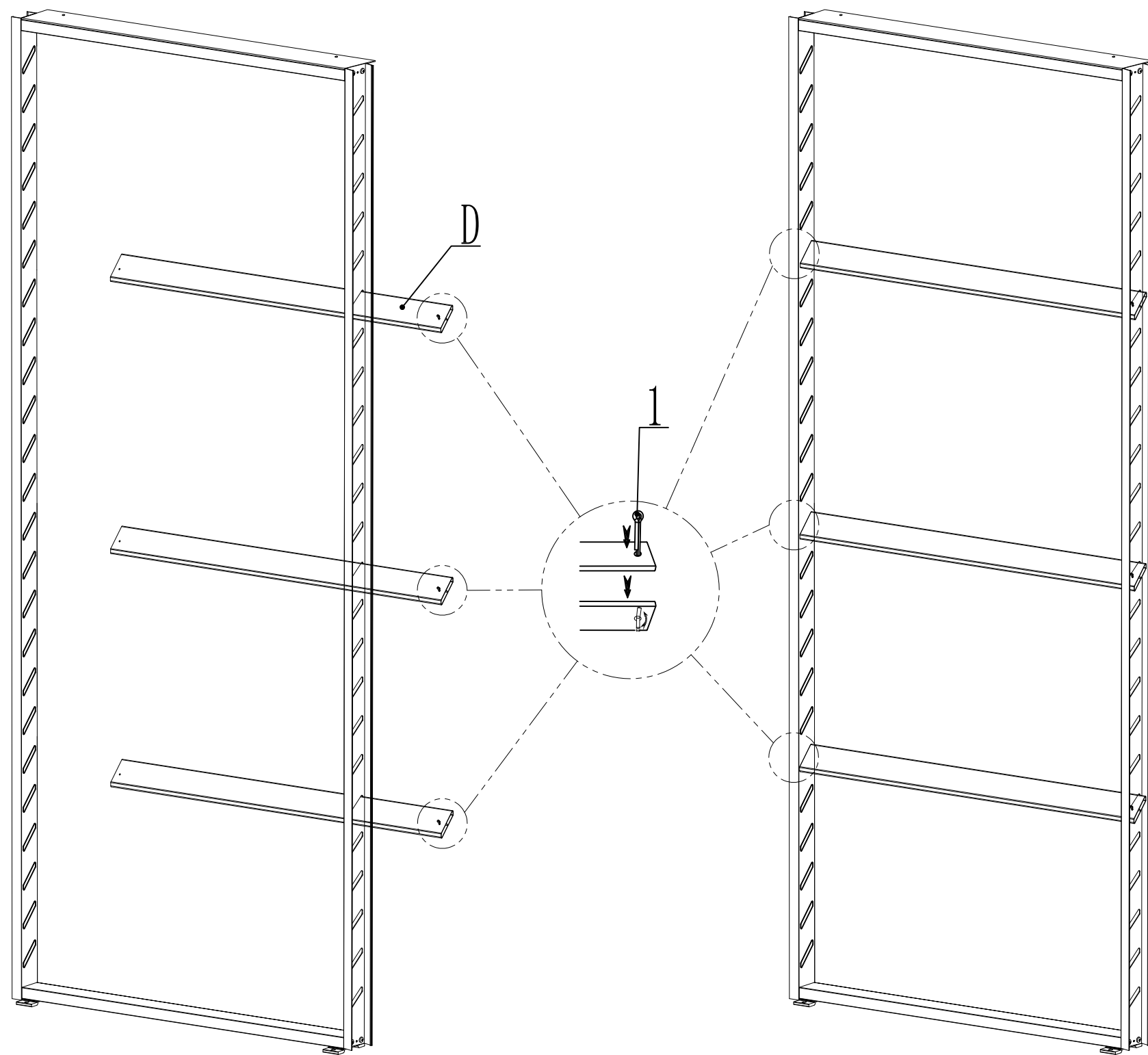
STEP1



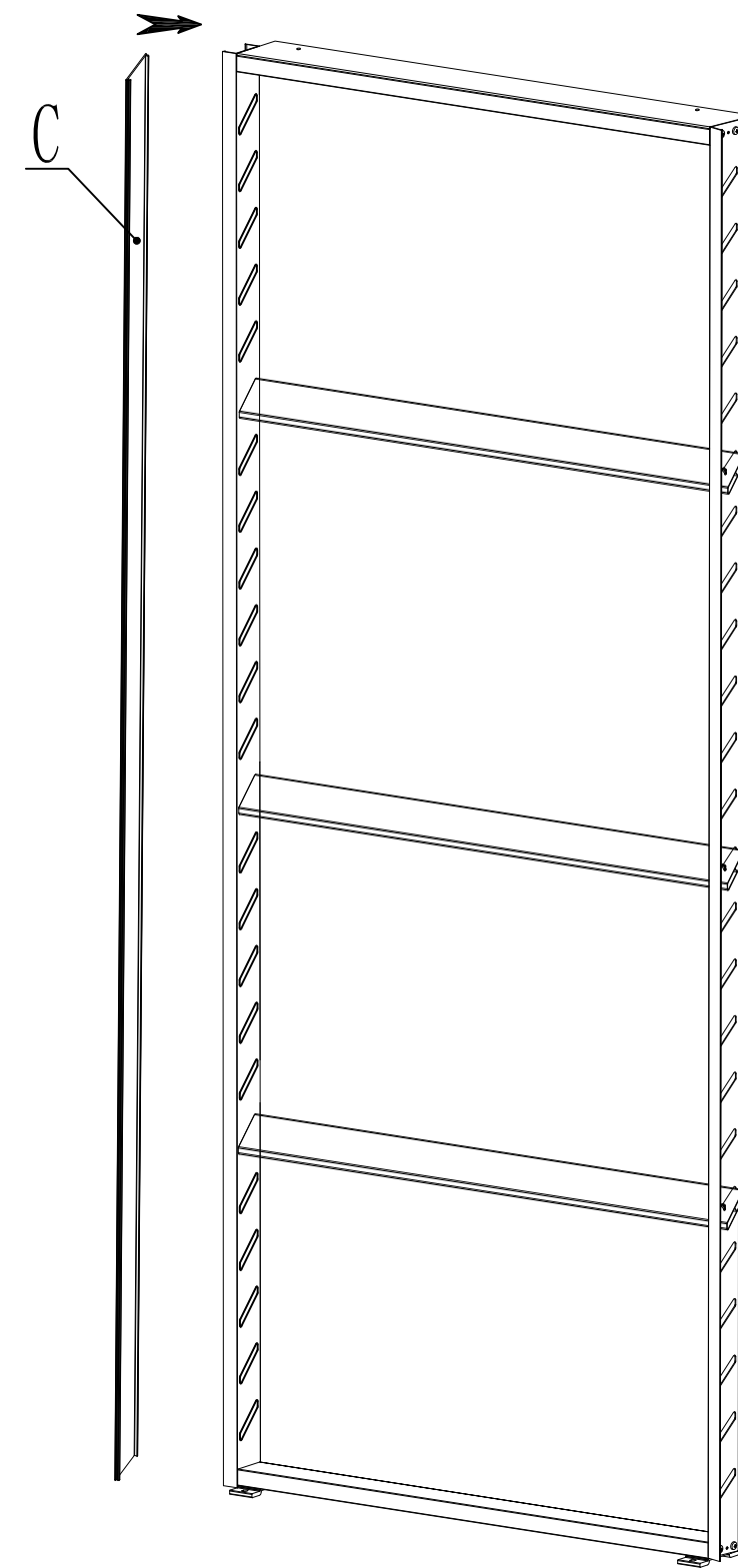
STEP2: Note that the hole on the upper beam fixing part E is towards the inner side of the pergola



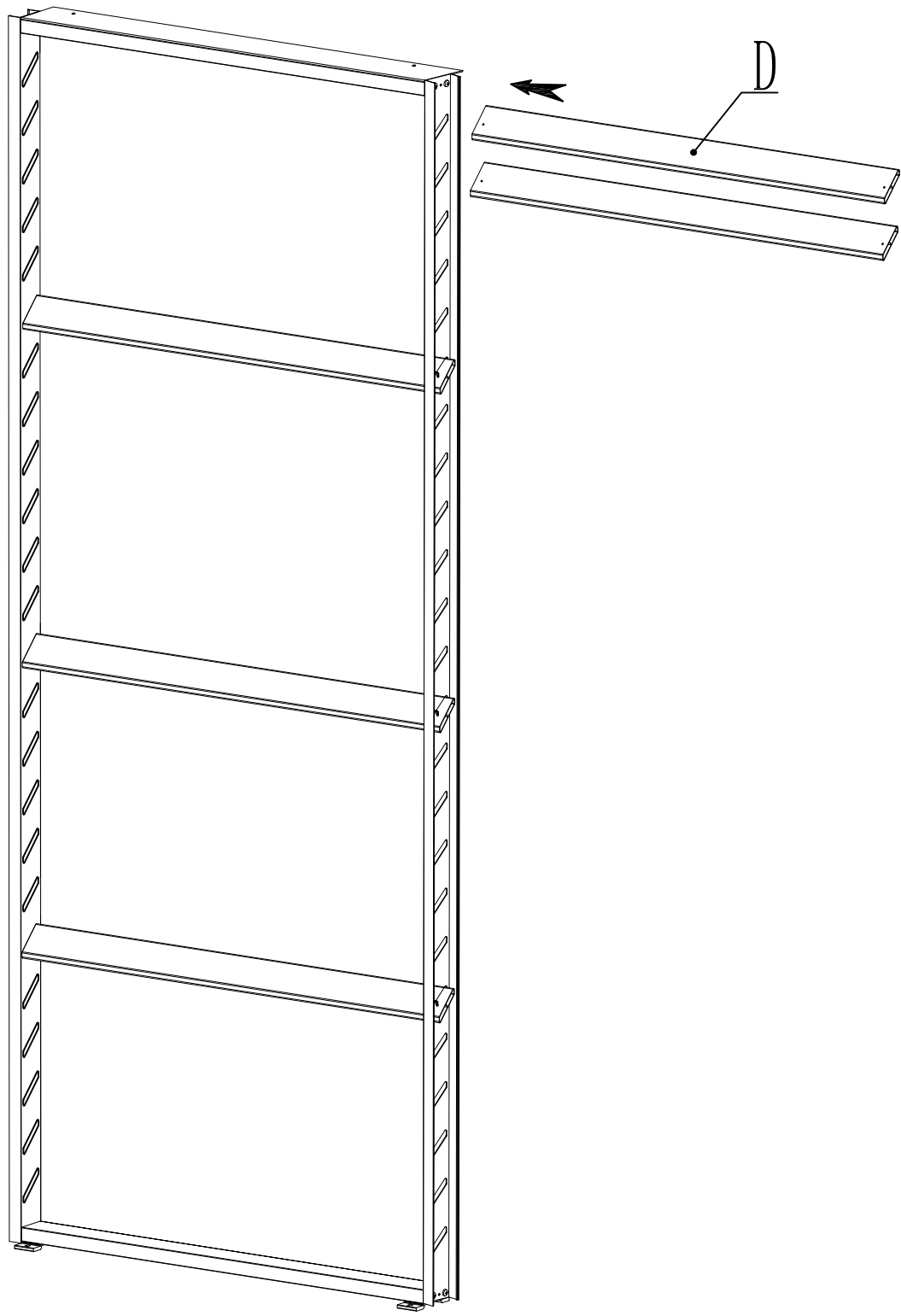
STEP3



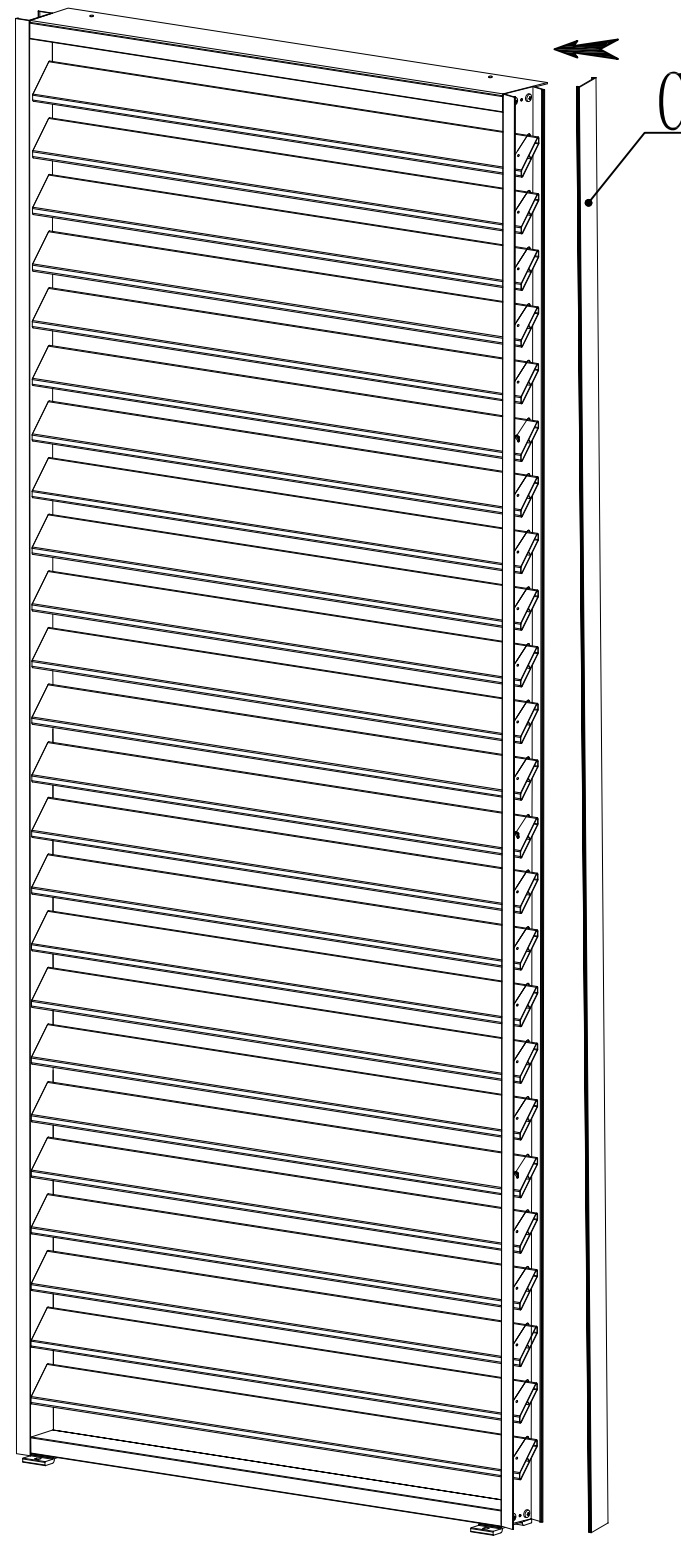
STEP4



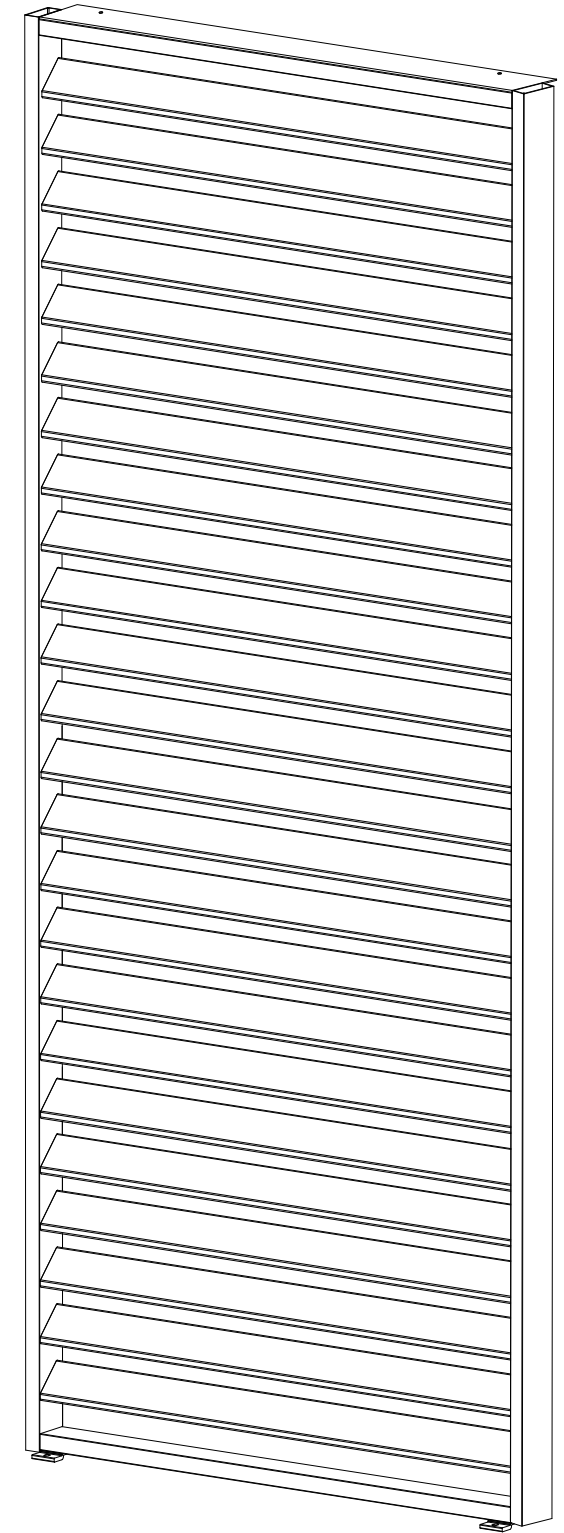
STEP5



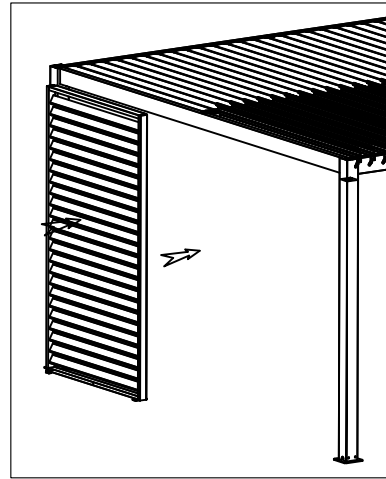
STEP6



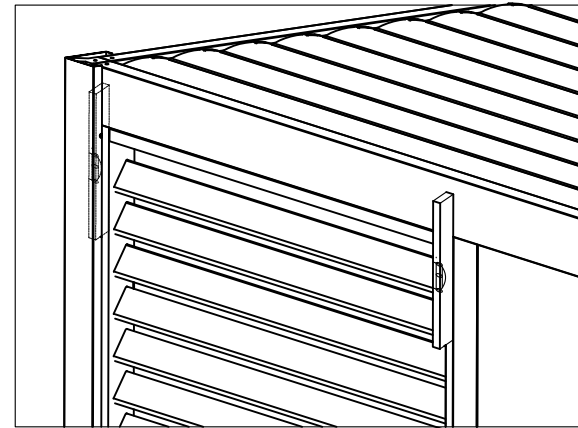
STEP7



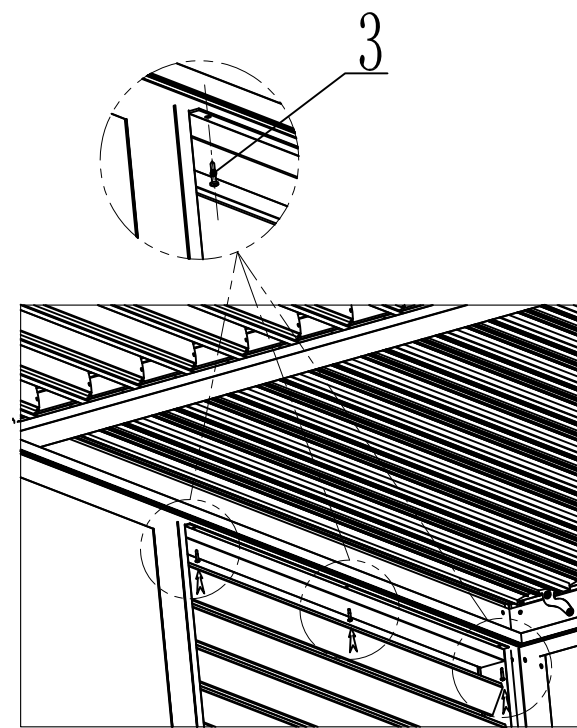
STEP8



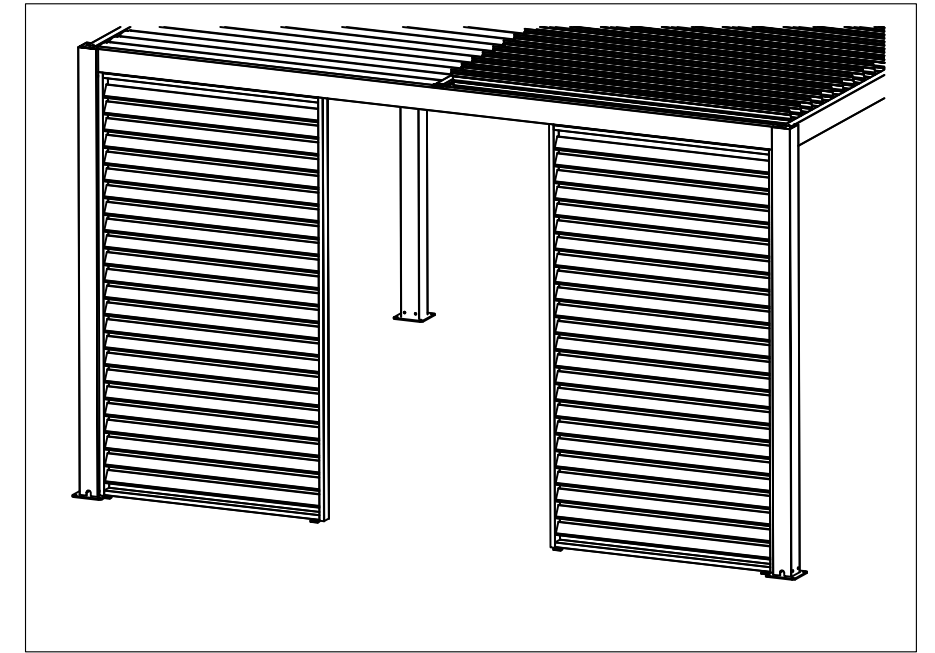
STEP9: Note that the hole on the upper beam fixing part is towards the inner side of the pergola



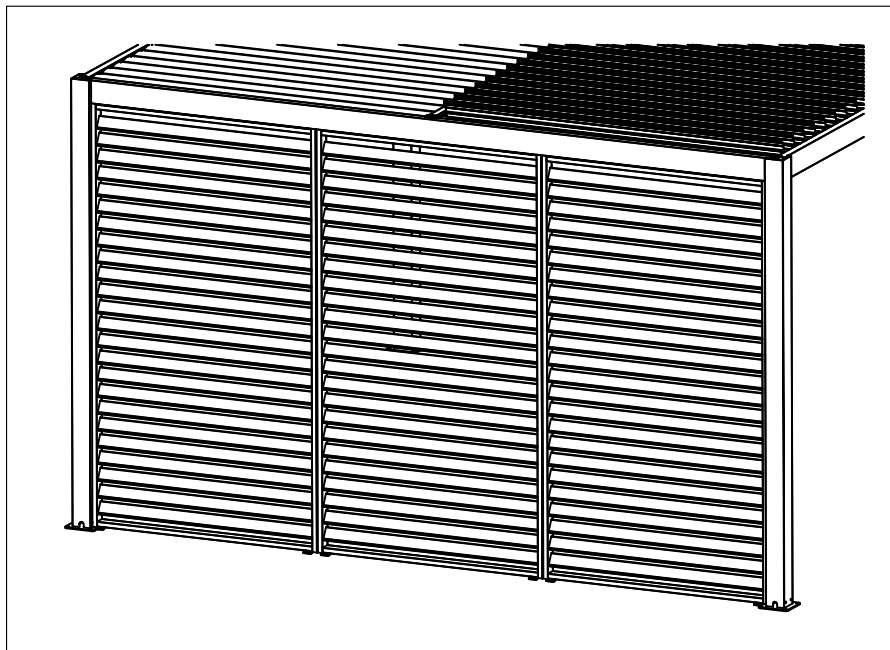
STEP10: Use a spirit level to ensure the louver frame is parallel with the pergola beam



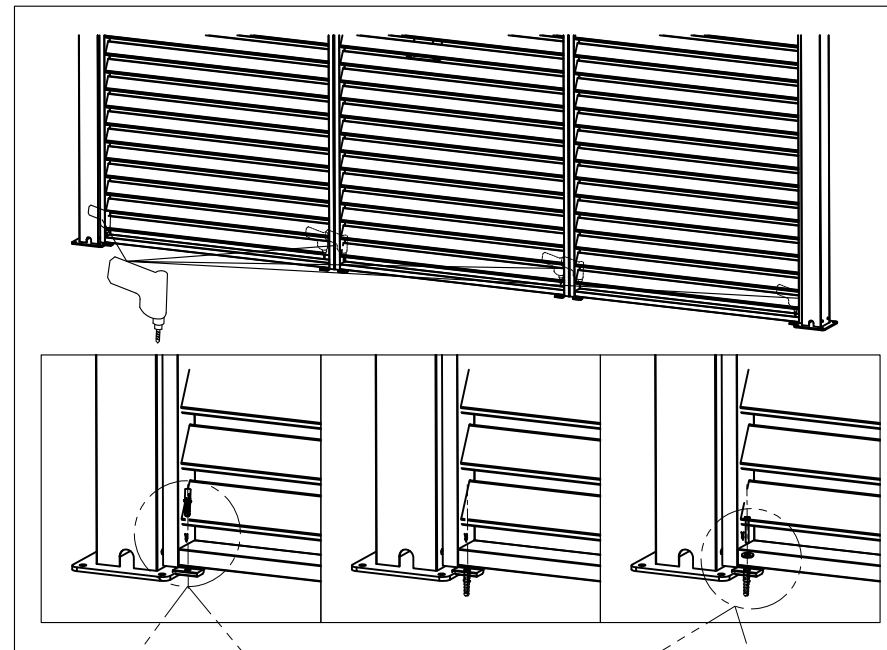
STEP11



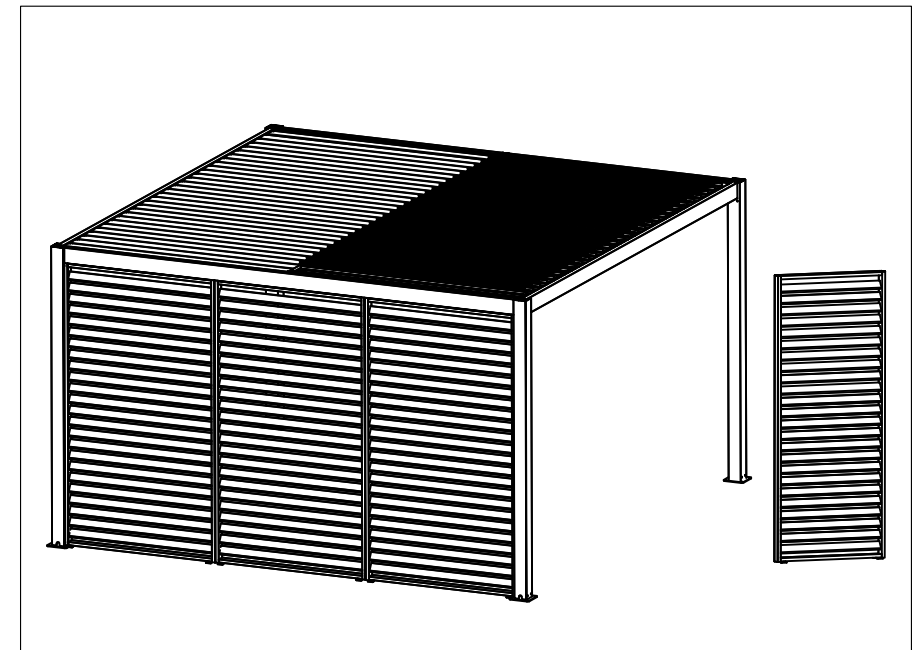
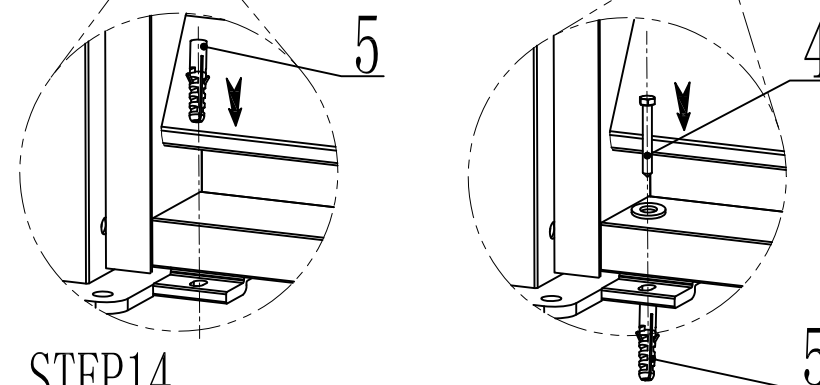
STEP12



STEP13



STEP14



STEP15

DANCOVER[®]

.com

Contact information

Austria



Belgium



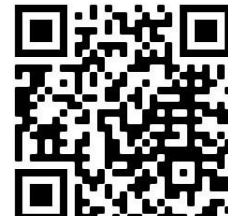
Croatia



Denmark



Estonia



Finland



France



Germany



Ireland



Italy



Latvia



Lithuania



Nederland



Norway



Poland



Portugal



Spain



Sweden



Switzerland



UK



For more information please visit: www.dancovershop.com