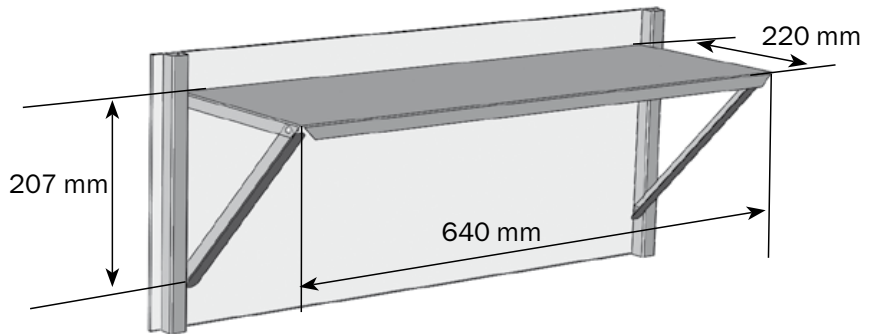







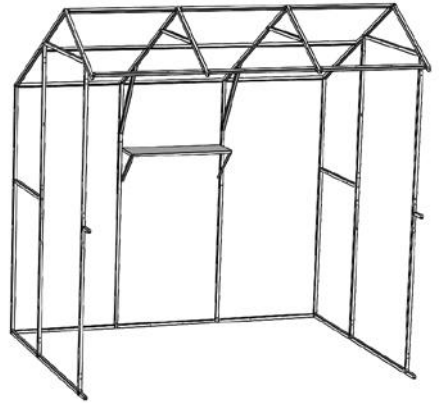
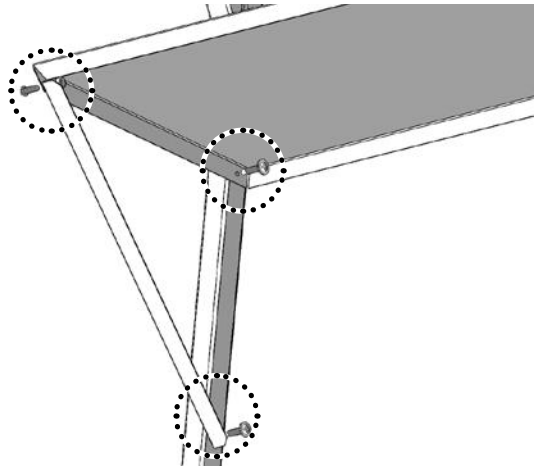
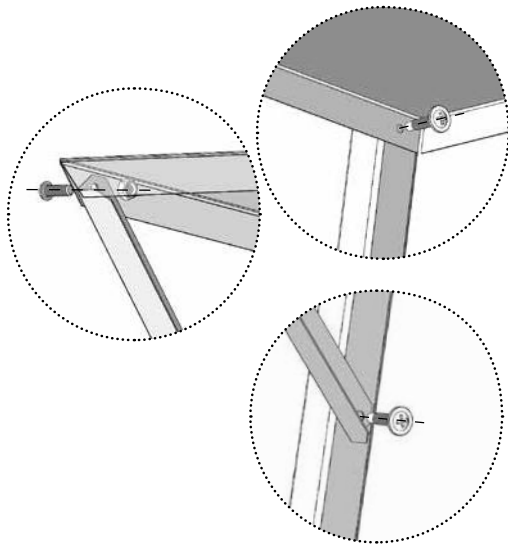
DANCOVER[®]

.com

Manual
for
Shelf for
TITAN Classic 240



	Name	Quantity, (pcs)
Shelf		1
Support		2
Screw M4x12		2
Nut M4		2
Tapping screw		4



Appointment

- The shelf is designed for light things: gloves, hand tools, etc.
- Maximum permissible load is 3 kg

Date of manufacture:

Warranty liabilities

1. The manufacturer bears responsibility for the greenhouse frame complete setup.
2. The manufacturer bears responsibility for the greenhouse assemblability in accordance with the manual.
4. Claim presentation period is 12 months from the date of purchase

Warranty conditions

Warranty liabilities do not apply to cases of:

1. Shelf installation with violation of requirements of the manual.
2. Violation of the rules of operation.

Contact information

Austria



Belgium



Croatia



Denmark



Estonia



Finland



France



Germany



Ireland



Italy



Latvia



Lithuania



Nederland



Norway



Poland



Portugal



Spain



Sweden



Switzerland



UK

