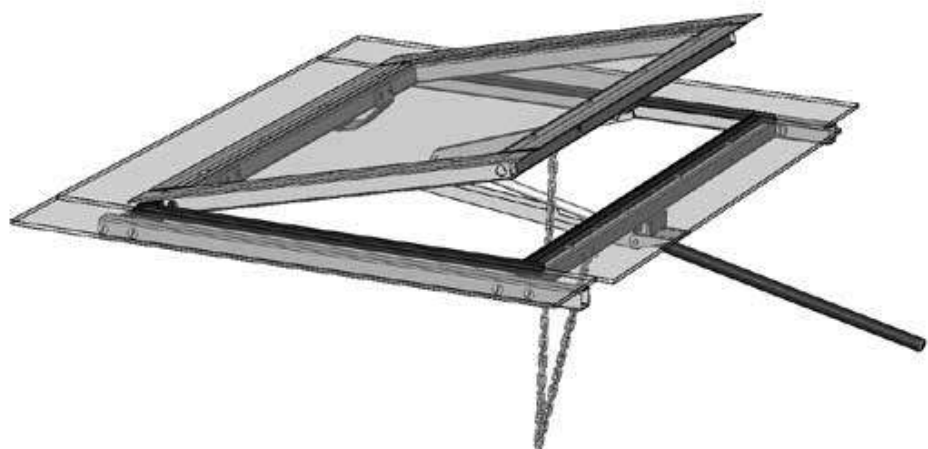



























DANCOVER[®]



Manual
for
Ventilation Window for
Greenhouse TITAN Classic 240



1	Isohyps vent member (20x20) 0,44 m 	x1	Screw M4x30 	x 4
1-1	Isohyps vent member (20x20) 0,44 m 	x1	Screw M4x50 	x 2
2	Vertical vent member (20x20) 0,49 m 	x2	Screw M5x45 	x2
3	Bearer (20x20) 	x1	Screw M5x30 	x 8
3-1	Bearer (20x20) 	x1	Screw M6x25 	x 4
4	Distance piece (20x20) 	x1	Self-tapping screw 4,2x16 	x 22
	Weather strip 0,44 m 	x2	Self-tapping screw 4,8x19 	x 8
	Weather strip 0,52m 	x2		
	Weather strip 0,45m 	x2	Nut M4 	x 6
	Weather strip 0,62m 	x2	Nut M5 	x 8
	Window security chain 	x1	Nylstop nut M5 	x 2
	Scotch tape 25mm 	x1	Washer M4 	x 2
	Aluminum tape 	x1		
	Automatic hinge assembly 	x1		

Description



Follow the greenhouse assembly instructions and use it in strict accordance with the manual and operating rules stated in the technical certificate. Please keep the technical certificate for further reference.

The vent is designed to ventilate the greenhouses. The frame of the vent sash is made of galvanized steel and it is assembled with screws and nuts. The kit part of the vent includes all necessary elements of clamps. The automatic hinge assembly is option and Customer Supplied.

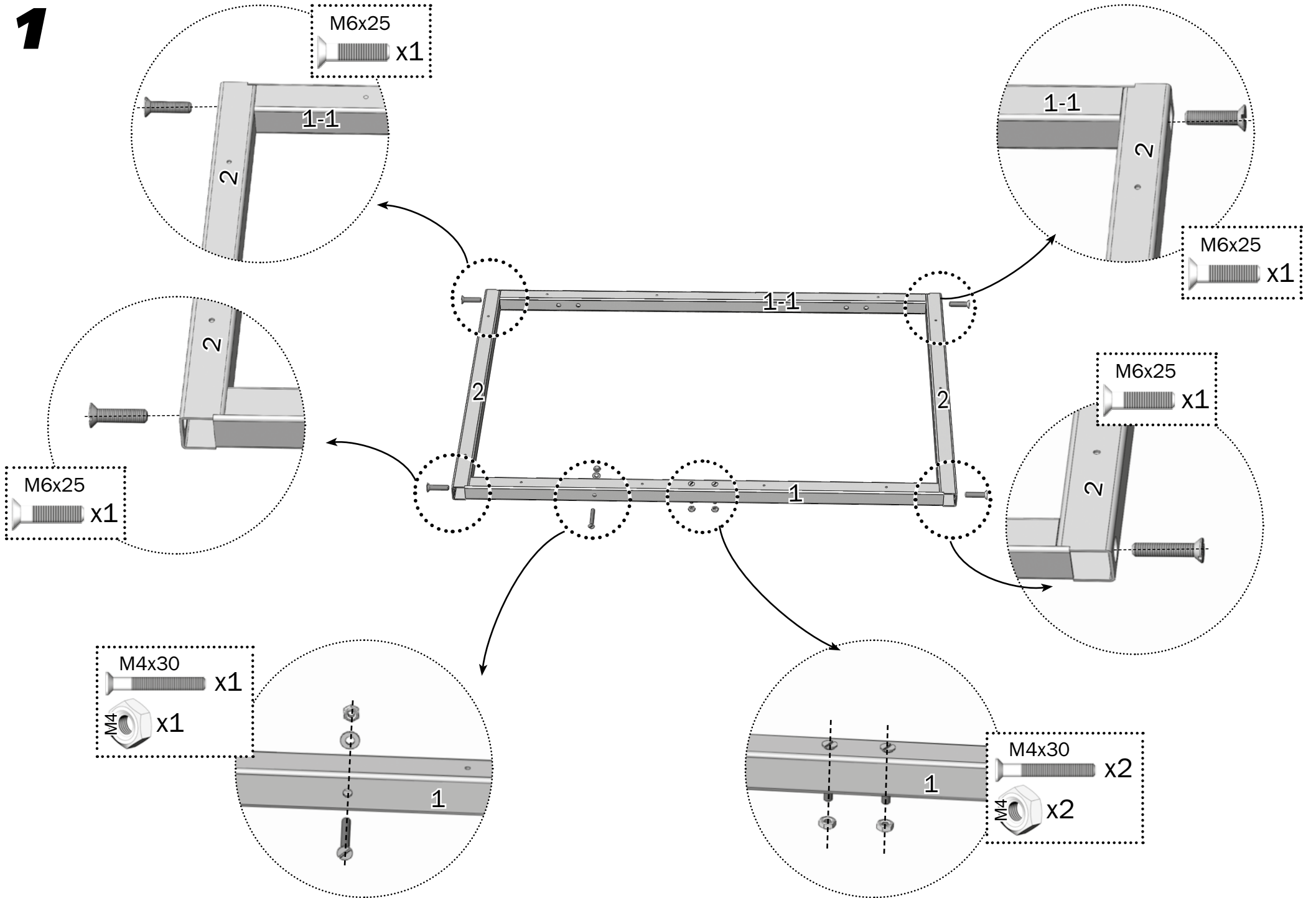
Warranty liability

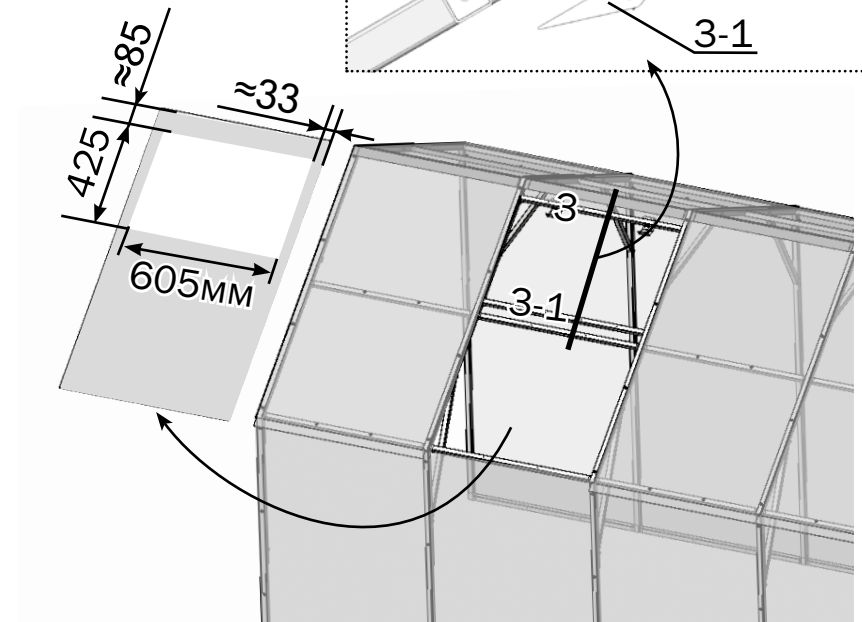
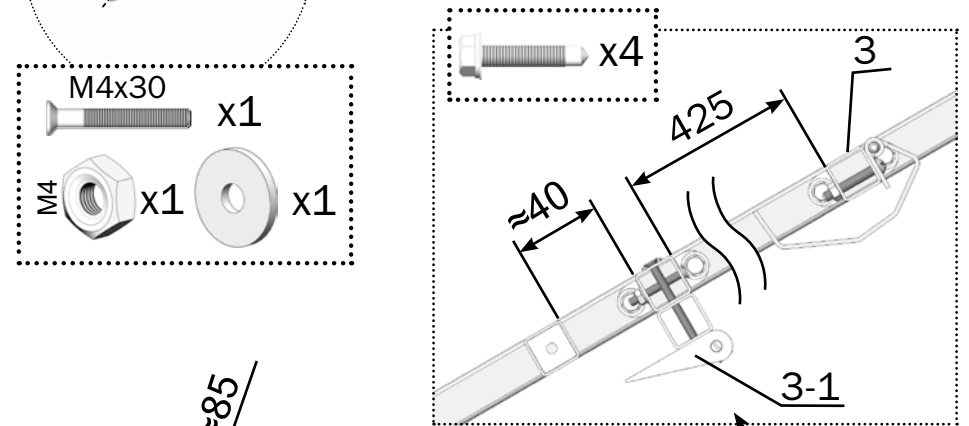
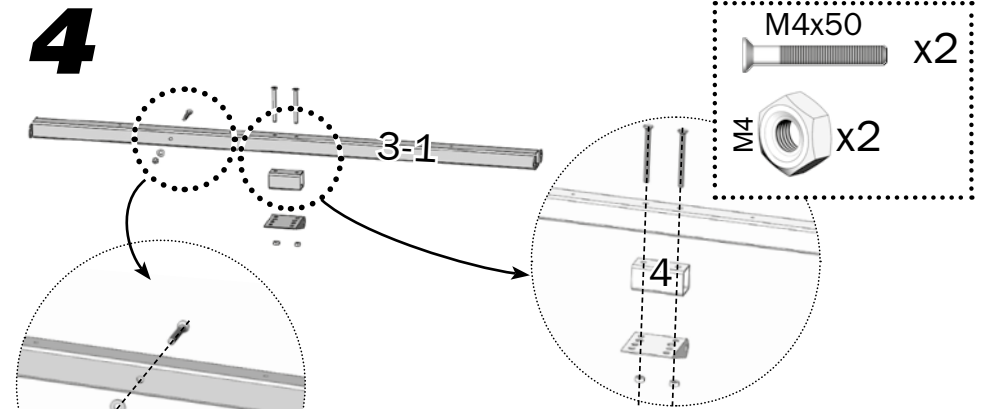
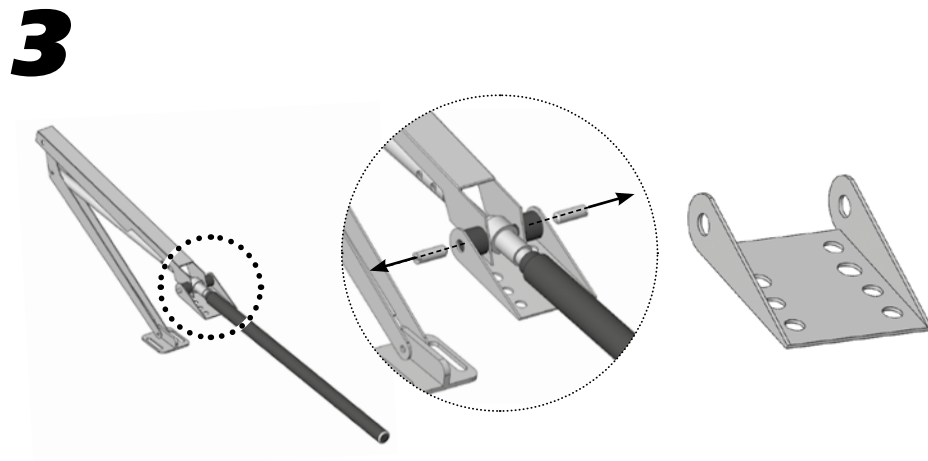
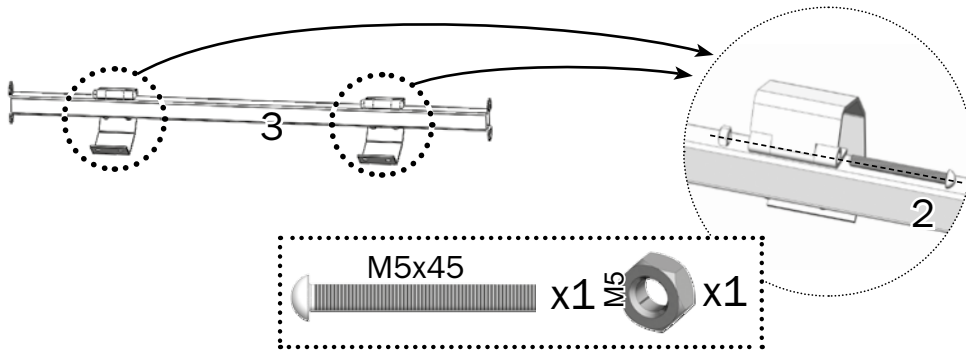
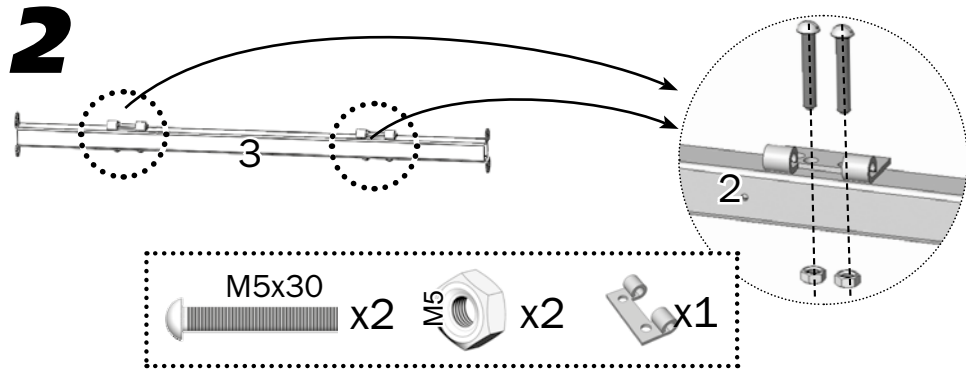
1. The manufacturer bears responsibility for the vent complete setup.
2. The manufacturer bears responsibility for the vent assemblability in accordance with the manual
3. Claim submission period is 12 months from the date of the purchase

Warranty conditions

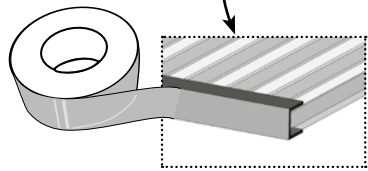
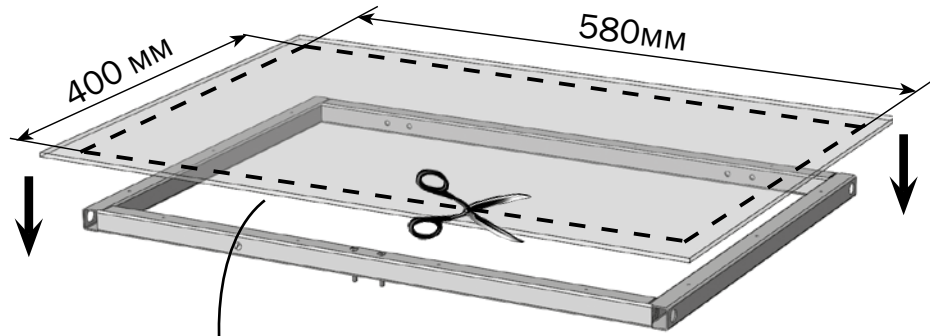
- Warranty liabilities do not apply to the cases of:
1. the vent installation with violation of requirements of the manual
 2. the violation of the operating rules
 3. hurricanes and other natural disasters.

1

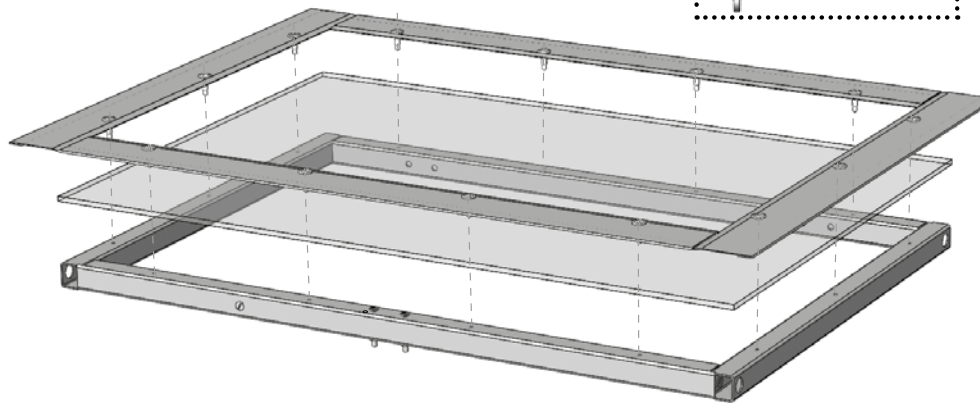
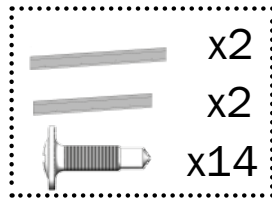




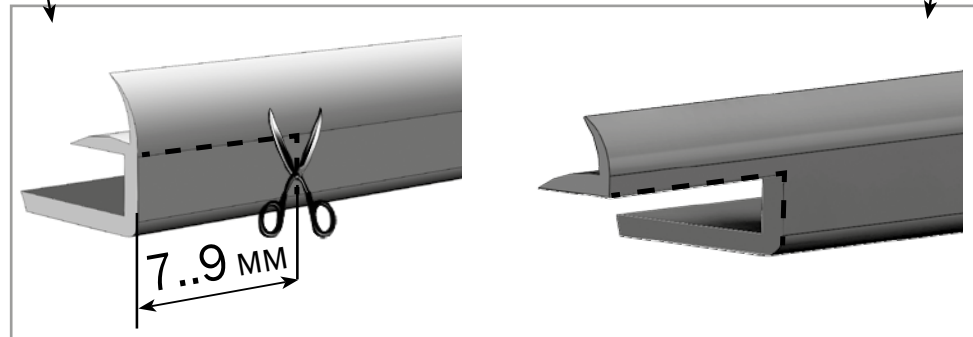
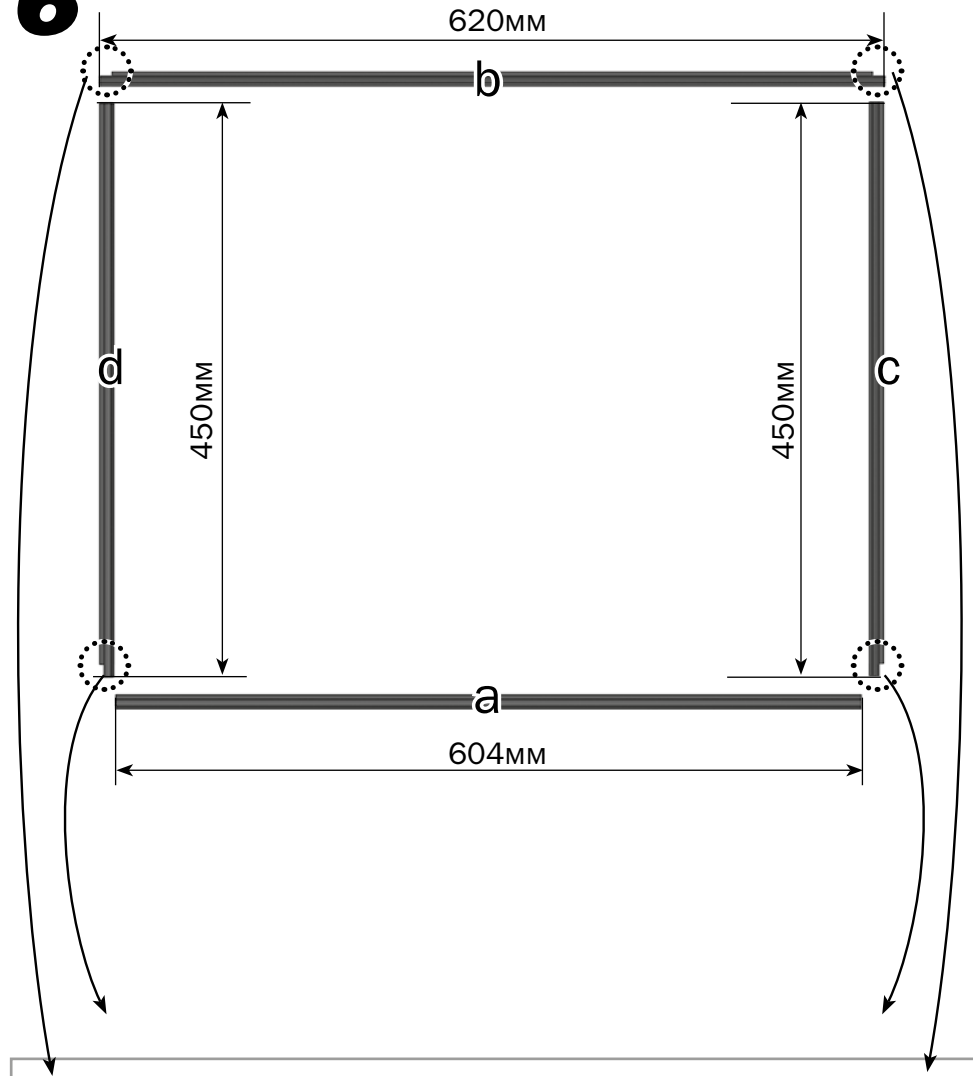
5



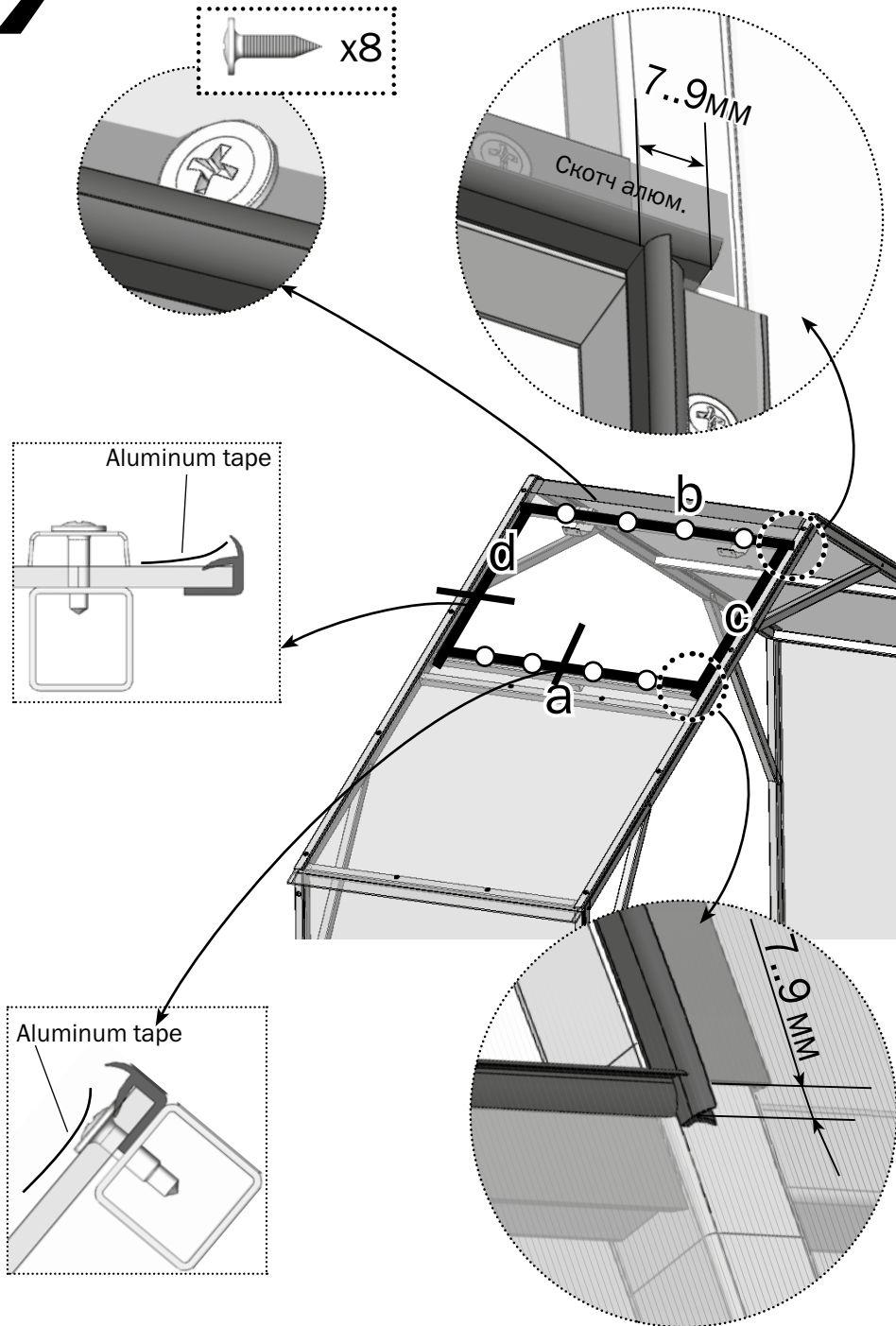
Tape scotch on the cut sides of the polycarbonate sheets.



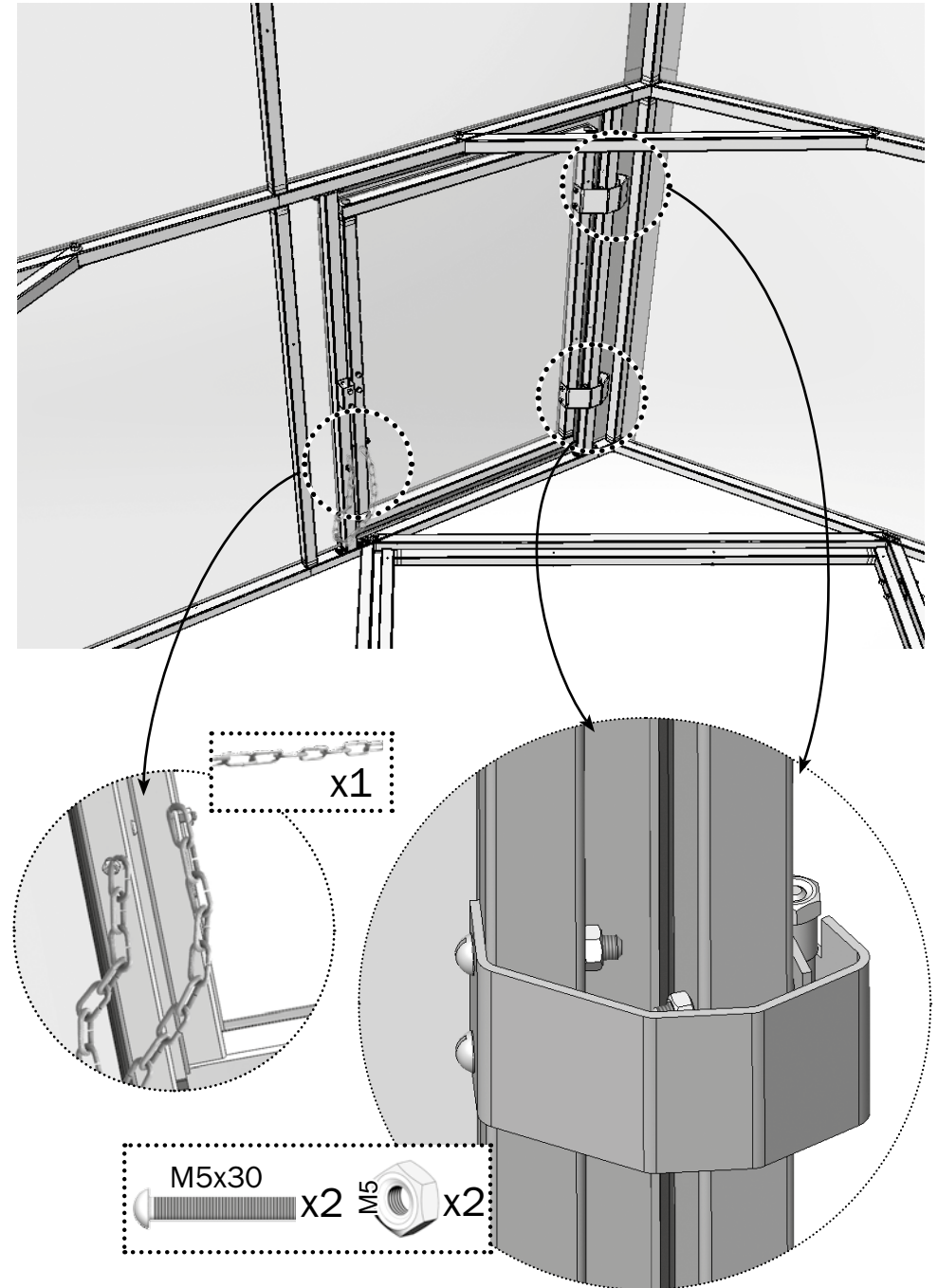
6



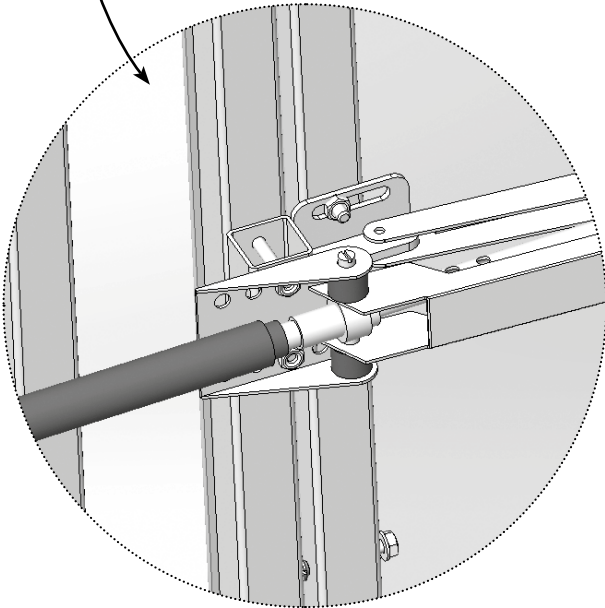
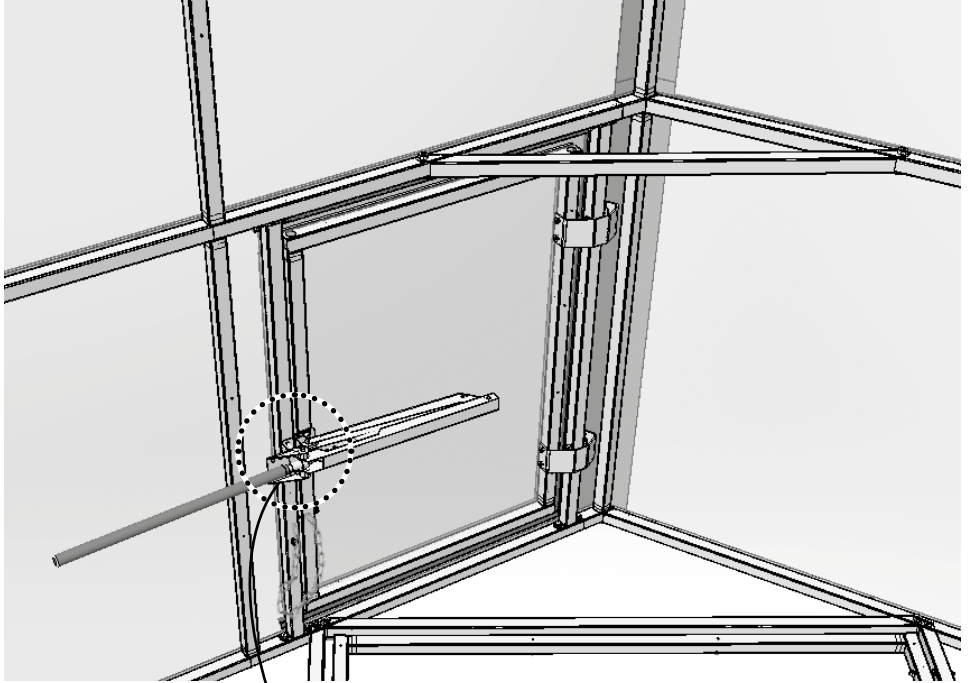
7



8



9



DANCOVER[®]

.com

Contact information

Head office:

Dancover A/S
Nordre Strandvej 119 G
3150 Hellebæk
Denmark

For more information
please visit:
www.dancovershop.com

National contact

Denmark: 70 26 76 20
denmark@dancover.com

UK: 020 8099 7570
uk@dancover.com

Germany: 041 0266 7040
germany@dancover.com

France: 0975 181 800
france@dancover.com

Sweden: 040 233 262
sverige@dancover.com

Finland: 0 931 581 720
suomi@dancover.com

Poland: 22 300 8602
polska@dancover.com

Luxembourg: +49 041 0266 7040
luxembourg@dancover.com

Portugal: 308 800 899
portugal@dancover.com

Spain: 911 436 828
espana@dancover.com

Italy: 02 479 21 198
italia@dancover.com

Switzerland: 0840 000125
schweiz@dancover.com

Austria: 0662 626935
austria@dancover.com

Norway: 231 00 690
norge@dancover.com

Nederland: 0 858 880 524
nederland@dancover.com

Ireland: 0 151 33 003
ireland@dancover.com

Belgium: 0 28 08 08 09
belgique@dancover.com