

DANCOVER[®]



Manual
for
Ventilation Window for
Greenhouse ARROW



Perform assembling and operation of the greenhouse in strict accordance with the manual and operating rules stated in the technical certificate. Please keep this technical certificate for further reference.

Description

Small window is designed for ventilation of greenhouse. Frame of the small window is made of galvanized steel and assembled using screws and nuts. Small window is completed with coverage and all required fixtures. In this version of completing small window is opened and closed by hand.

Small window detailed parts list		
	name	quantity, pcs
1st		
φ1	long bar	2
φ2	short bar	2
φ3	long diagonal	1
φ4	short diagonal	1
	wire stop	1
	wire extender	1
	sealer	0,88 m
2nd		
	angle	1
	chain	0,5 m
	heave-off hinge	2
	screw M5x10	29
	screw M5x35	8
	screw M5x45	2
	washer 32x5	8
	nut M5	37
	clamp	2
	adhesive tape	1
3nd		
	polycarbonate	0,95x0,43

Operating rules

Before use of the small window, assemble and install it in the greenhouse in accordance with the manual. The small window should not be exposed to impacts that may create residual deformations of frame or coverage.



Warranty

1. Manufacturer is responsible for full completing frame elements of the small window.
2. Manufacturer is responsible for assemblability of the small window in accordance with the manual.
3. Warranty period – 12 months from date of purchase.

Warranty conditions

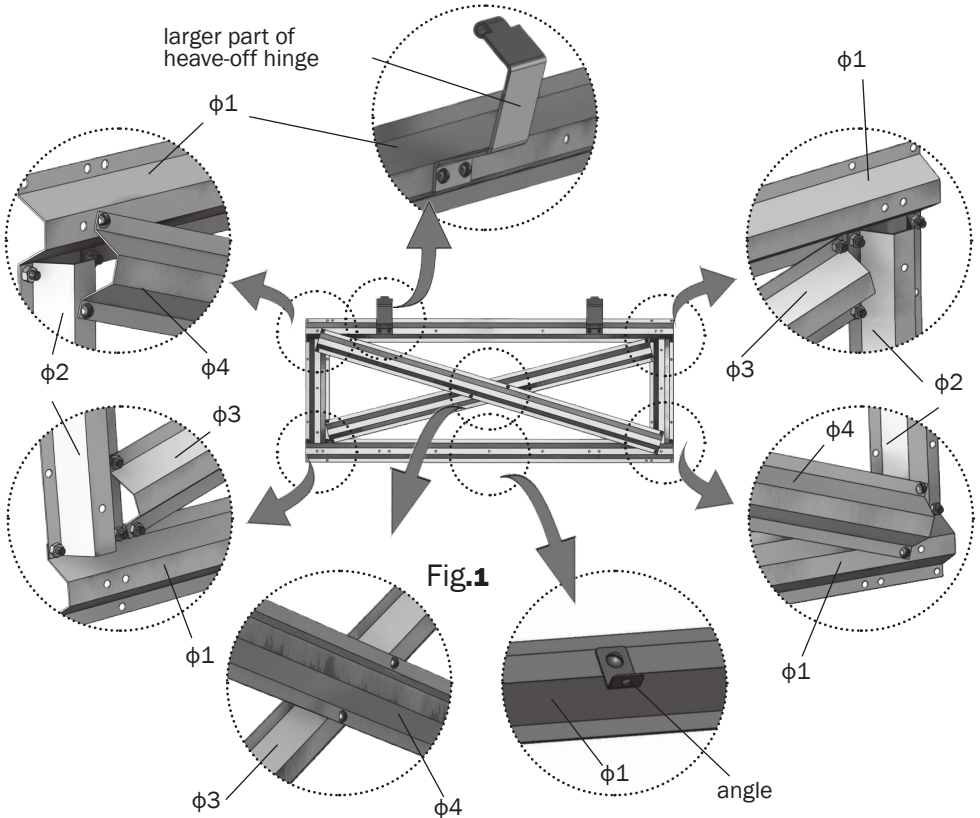
The warranty does not cover cases of:

1. Installation of small window with violation of manual's requirements.
2. Violation of operating rules.
3. Floods, hurricanes, other natural disasters.

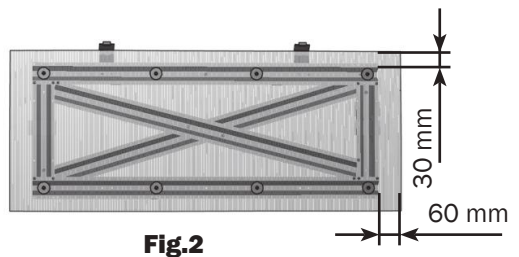
Manufacturer reserves right to change design of small window.

Installation of small window

1. Assemble small window frame from elements $\phi 1$, $\phi 2$, $\phi 3$, $\phi 4$ and mount the larger part of heave-off hinge (2 pcs) and arm (Fig. 1).

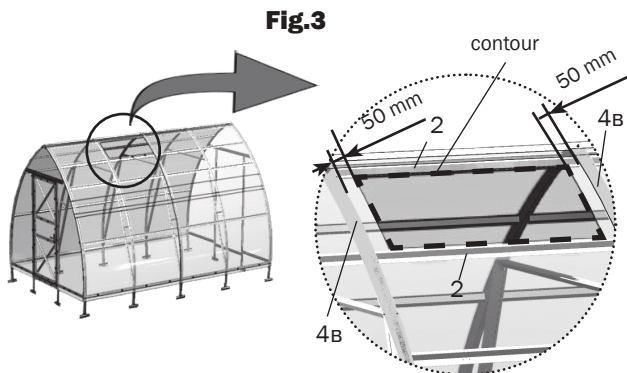


2. Fasten on the frame of small window polycarbonate of 950 x 430 mm dimensions using washers taking into account polycarbonate runoff according to Fig. 2. When fastening the polycarbonate follow the orientation rule: Surface with protective layer should face outside (sun).

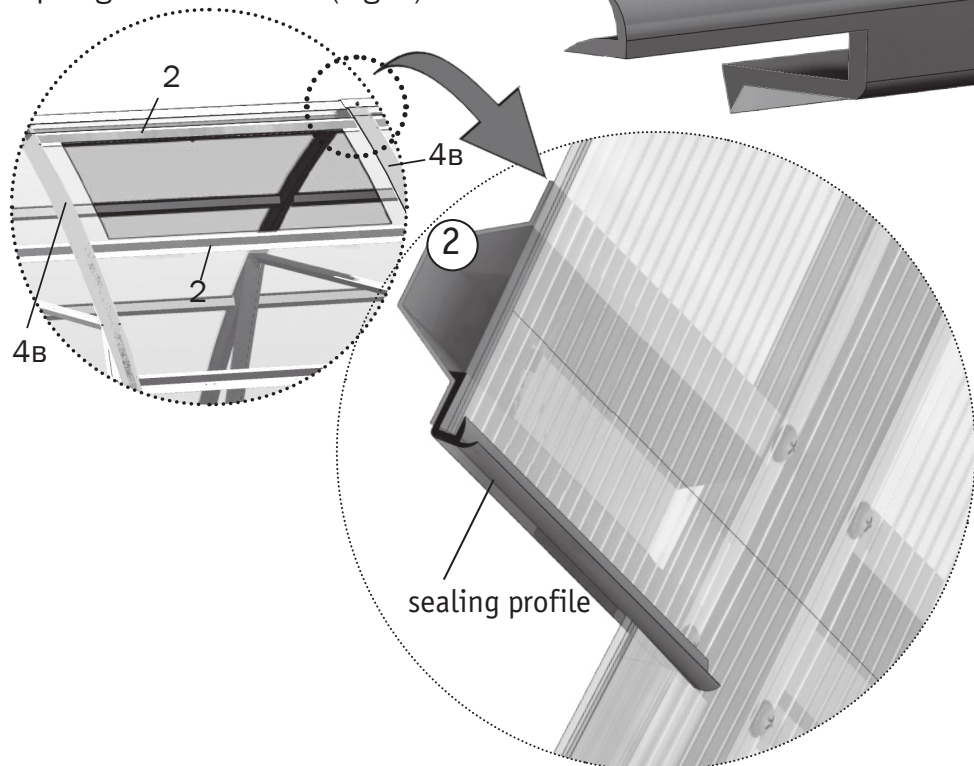


Installation of small window

3. Cut a rectangular opening in polycarbonate from inside of the greenhouse whose contour goes by edges of elements 2 with 50 mm offset from elements 4B (Fig. 3). Mount small windows in ridge section of side opening of the frame.



4. Mount small part of heave-off hinge on element 2 (ridge) (Fig. 4). Cover edges of polycarbonate in the opening with adhesive tape together with the edge of element 2. Stick sealing profile on polycarbonate along the top edge of the window (Fig. 6).



Installation of small window

5. Mount small window connecting the parts of heave-off hinges using screws and nuts (Fig. 5).

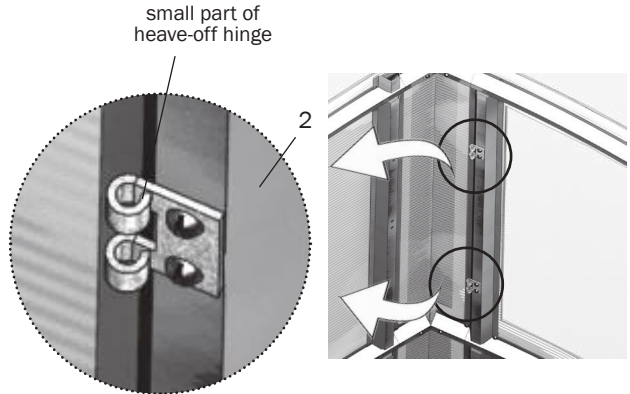


Fig.4

6. To mount a hand operated unit for opening and locking of small window, join wire elements using clamps and mount them on small window using angle (Fig. 6).

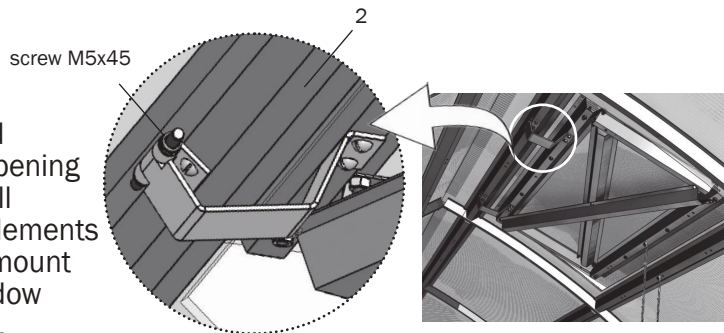
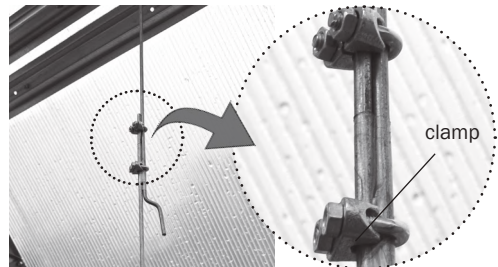
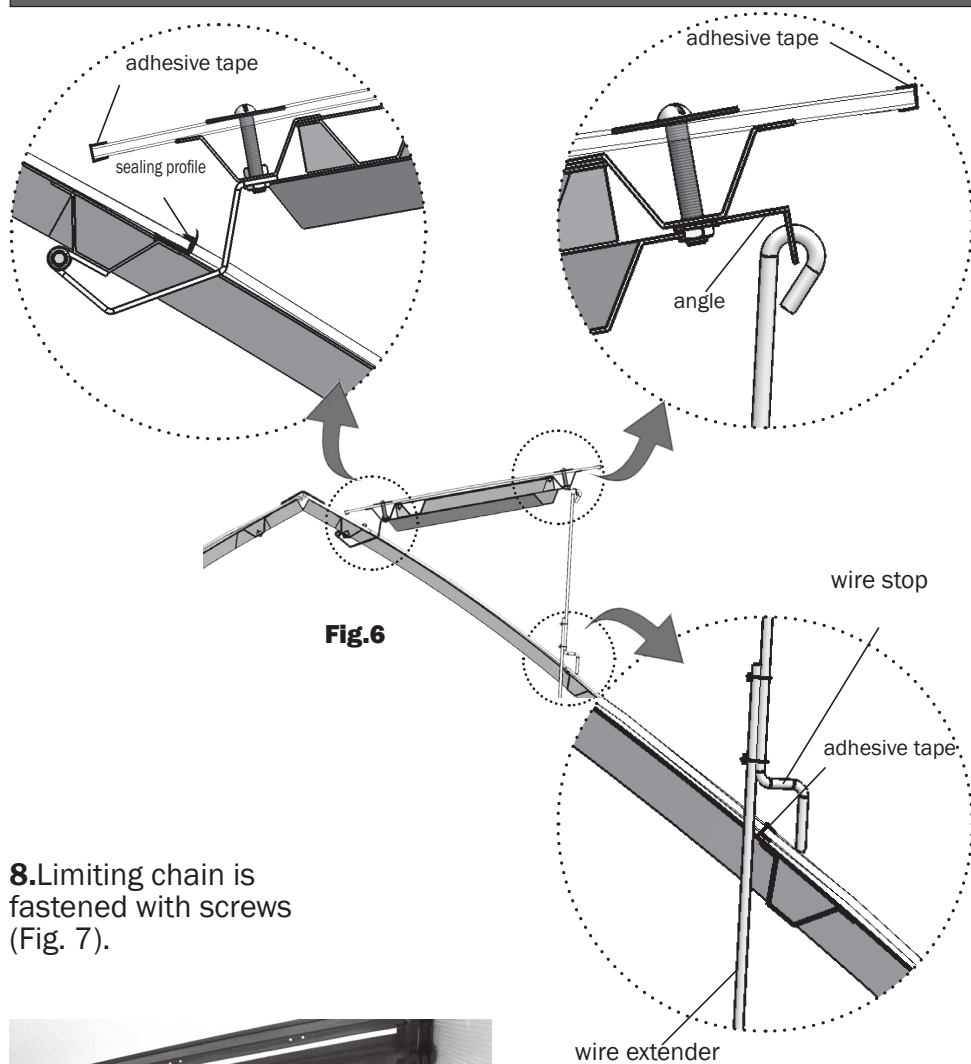


Fig.5

7.



Installation of small window



8. Limiting chain is fastened with screws (Fig. 7).



Fig.7

Contact information

Austria



Belgium



Croatia



Denmark



Estonia



Finland



France



Germany



Ireland



Italy



Latvia



Lithuania



Nederland



Norway



Poland



Portugal



Spain



Sweden



Switzerland



UK

