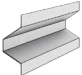



















DANCOVER[®]

.com

Manual
for
Ventilation Window for
Greenhouse DUO

Package 1			
Nº1	Lateral part L=0,916 m		x 2
Nº2	Arch L=0,468 m		x 3
Nº3	Diagonal L=0,59 m		x 2
Nº4	Upper beam L=0,984 m		x 2
Package 2			
	Locking pipe		x 1
	Support hook		x 2
	Washer		x 34
	Screw M4x8		x 36
	Screw M4x25		x 33
	Screw M4x50		x 3
	Hook L=0,398 m		x 1
	Nut M4		x 73
	Divisible hook		x 2
	Chain L=0,4 m		x 1
	Scotch tape		x 1
Package 3			
	Opening strip L=0,951 m, L=0,575 m		x 2
			x 2
	Contour frame strip		x 1

Description



The assembly and operation of the greenhouse shall be carried out strictly in accordance with the instruction manual and the rules laid down in the data sheet. Technical data sheet shall be kept.

The window is designed to air greenhouses; it can be installed in DUO greenhouse only. The window frame is made of galvanized steel and to be assembled with screws and nuts. Covering of the window is provided with the polycarbonate cut out of the greenhouse. The set of parts for the window includes all necessary fastening elements.

Warranty liabilities

1. The manufacturer is responsible for the completeness of parts.
2. The manufacturer is responsible for- assemblability of the window in accordance with instructions.
3. Term for making claims is 12 months from the day of purchase.

Terms of warranty liabilities

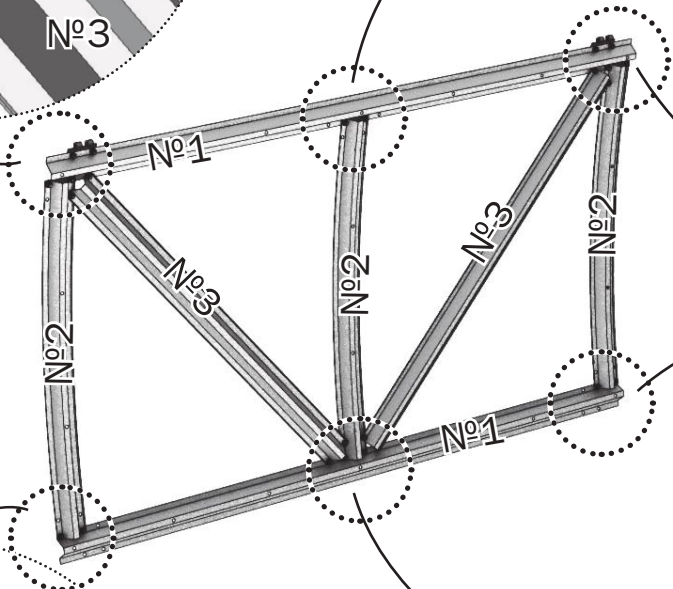
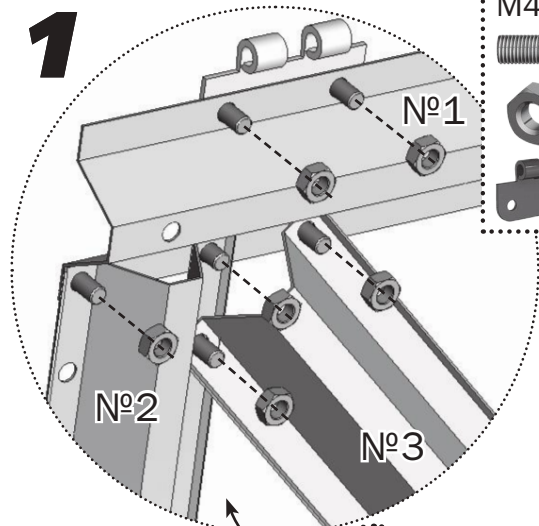
Warranty does not apply to cases of:

1. Installation of the window in violation of instruction requirements
2. Violation of the rules of operation
3. Hurricanes and other natural disasters.

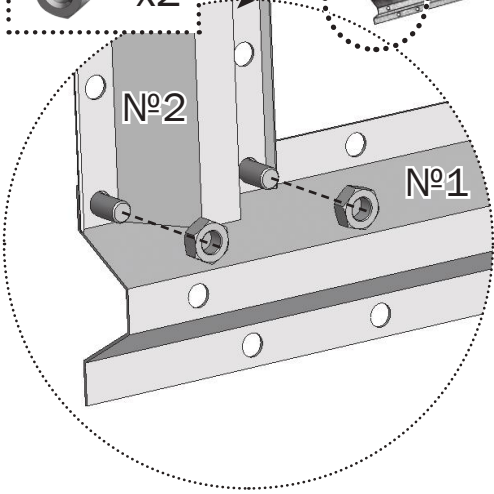
The company reserves the right to make changes in the window design.

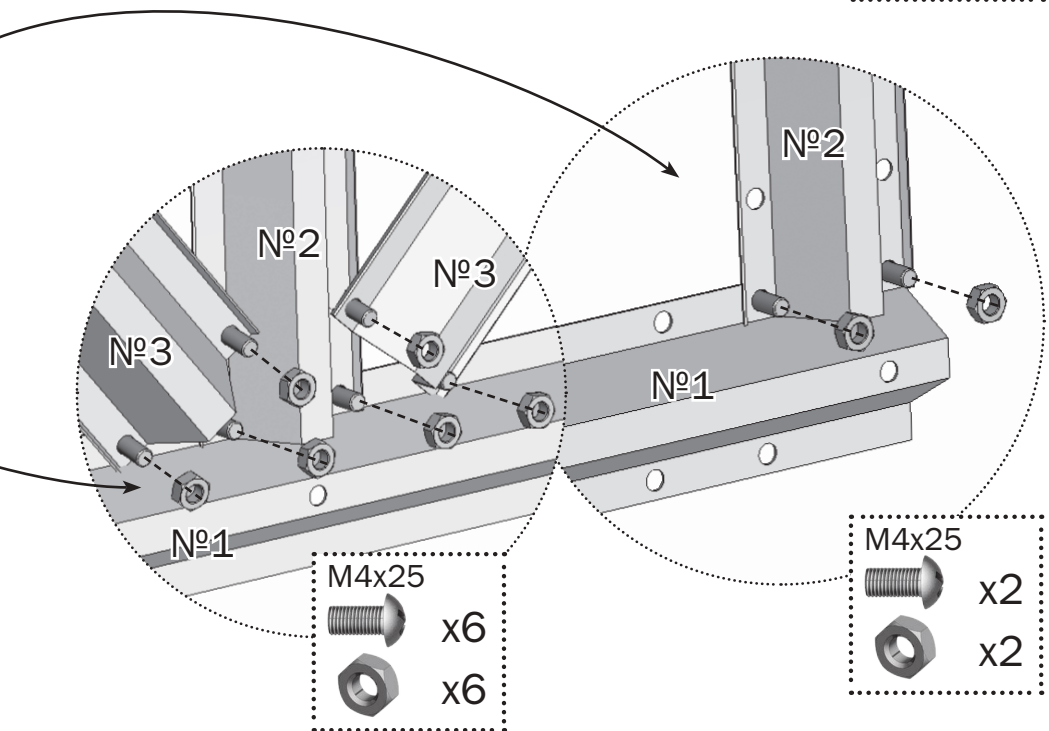
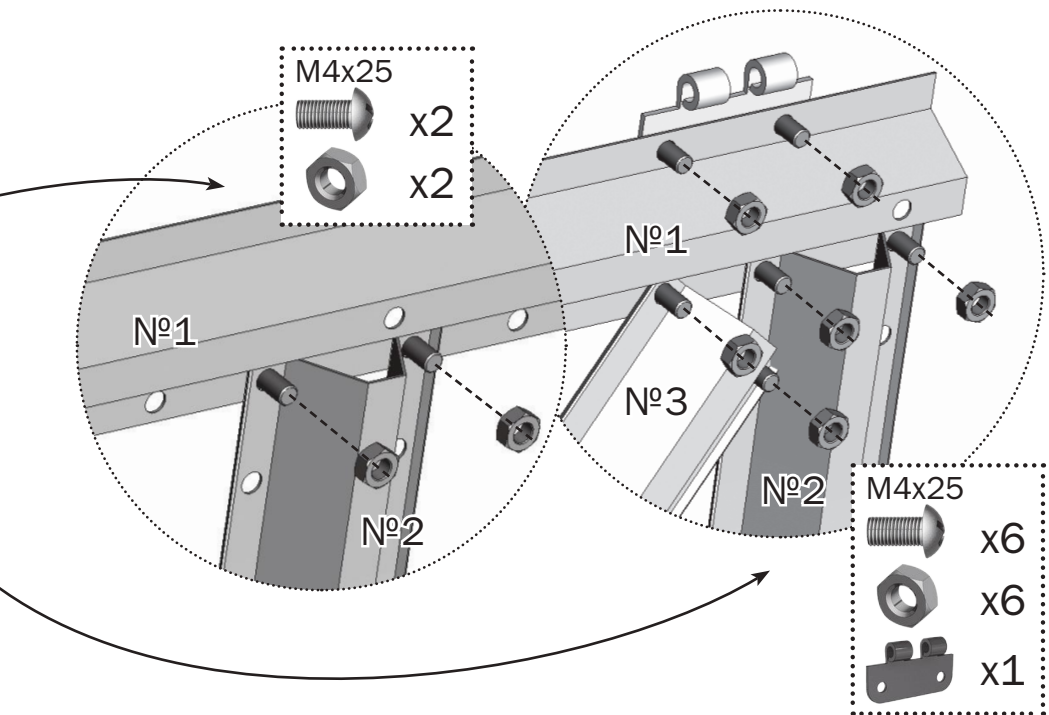
1

- M4x25 x6
- Nº1 x6
- x1

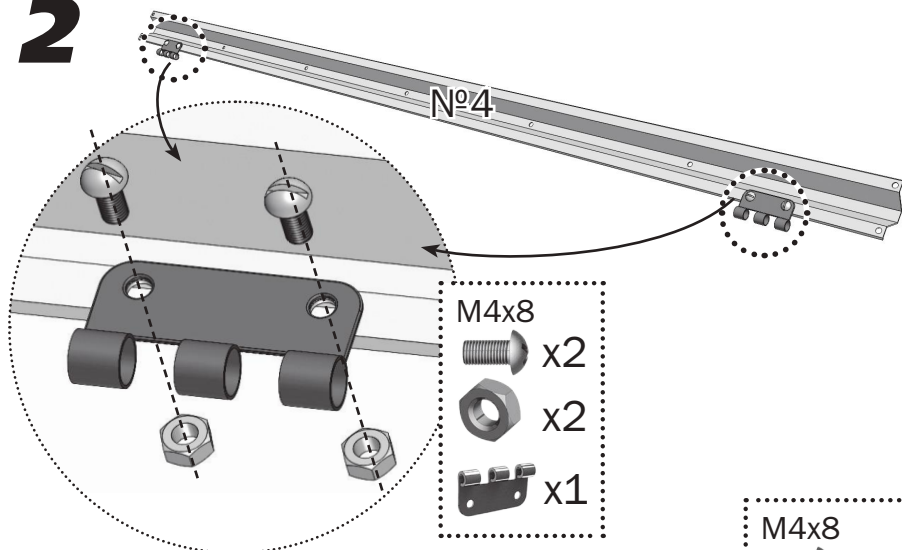


- M4x25 x2
- Nº1 x2

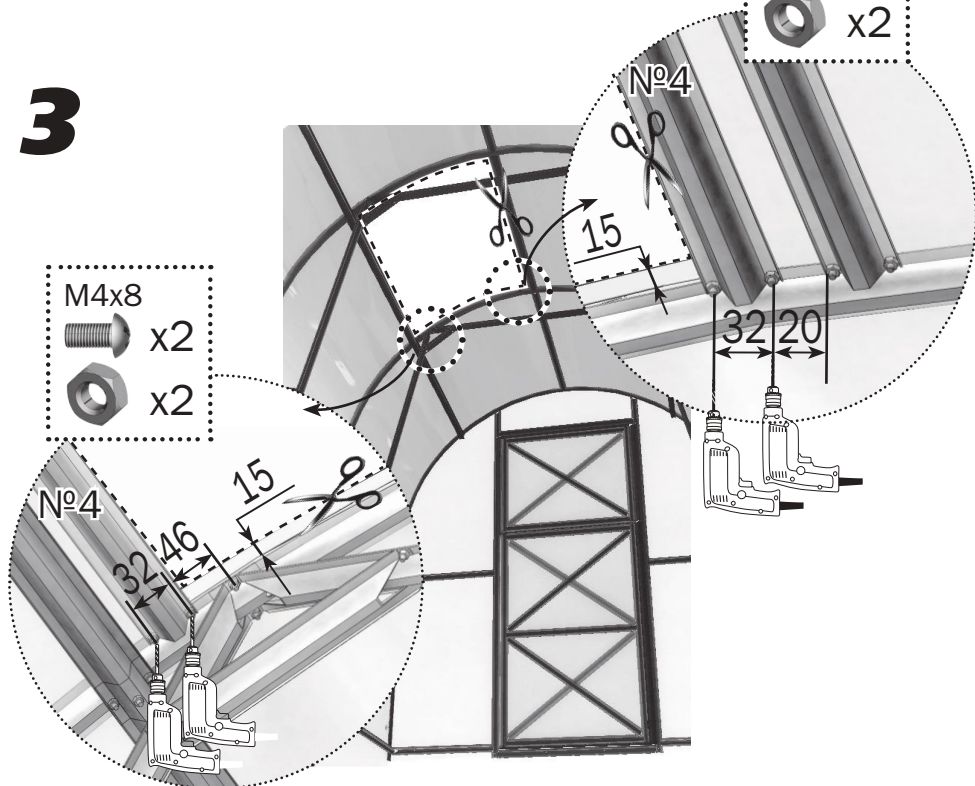




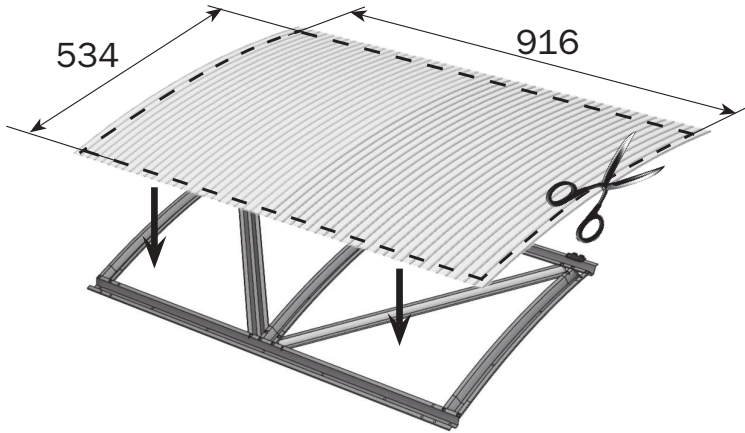
2



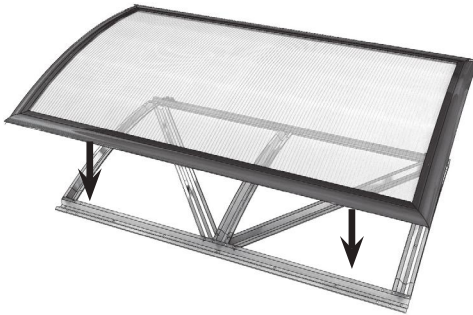
3



4

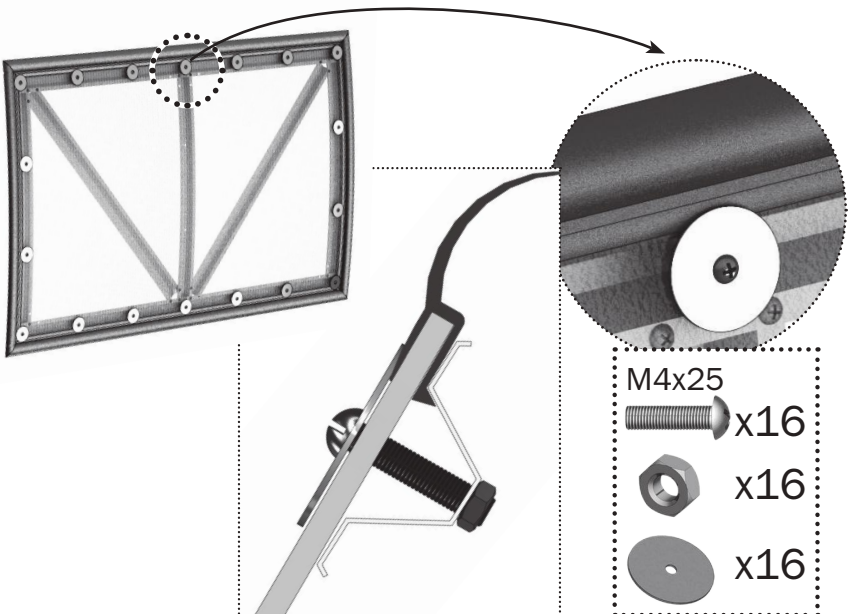


5

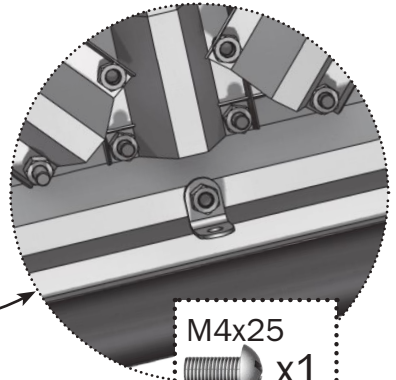
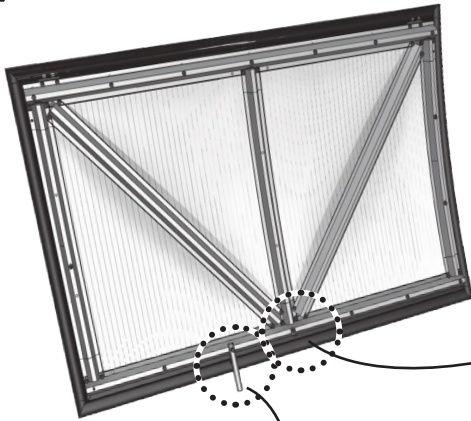


Do not extend the strip longer than necessary; do not tear the weld seam!

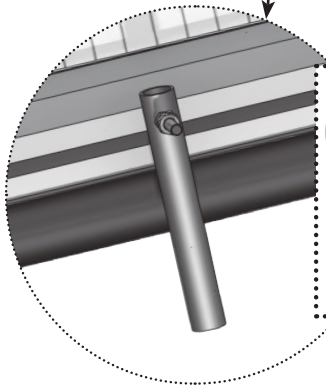
6



7

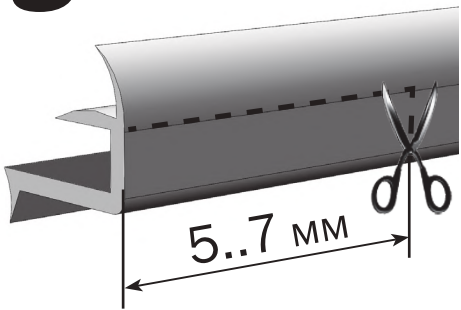


- M4x25 x1
- x1
- x1
- x1
- x1

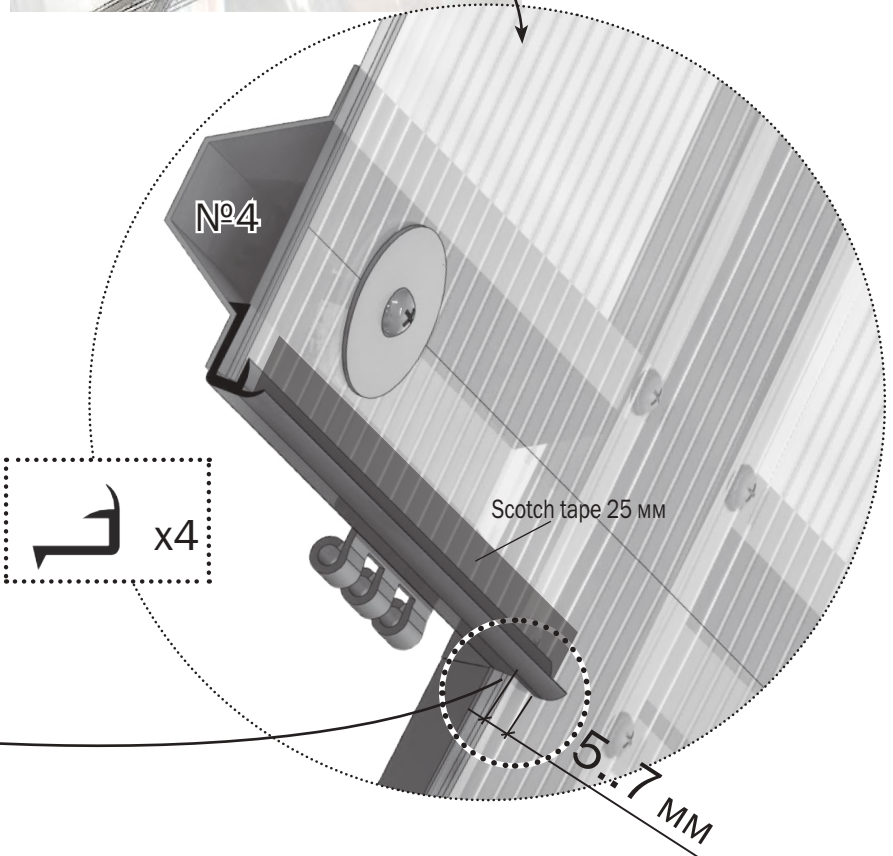
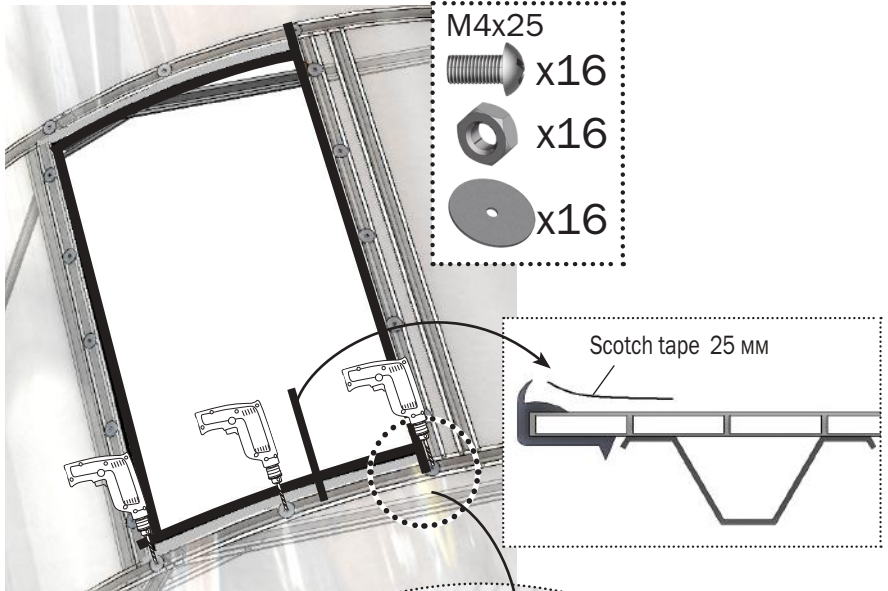


- M4x50 x1
- x1
- x1
- x1

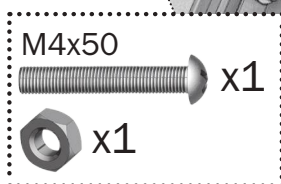
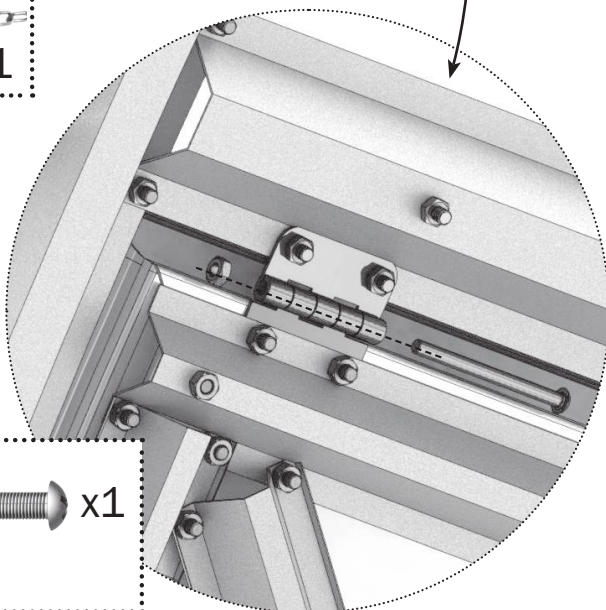
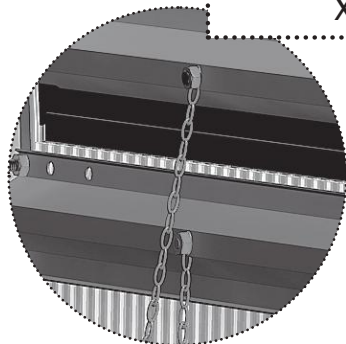
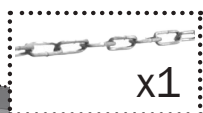
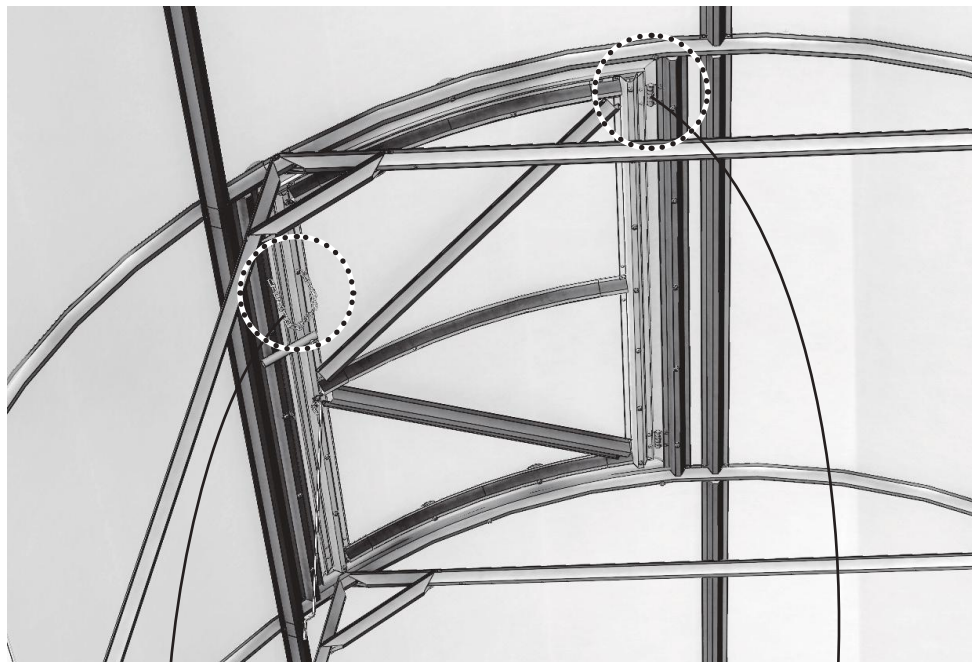
8



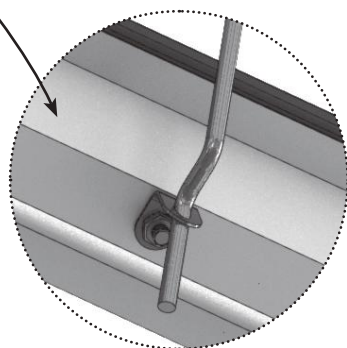
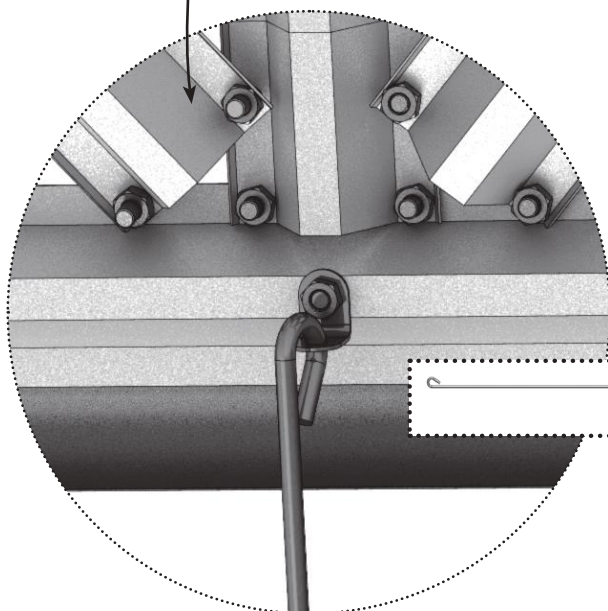
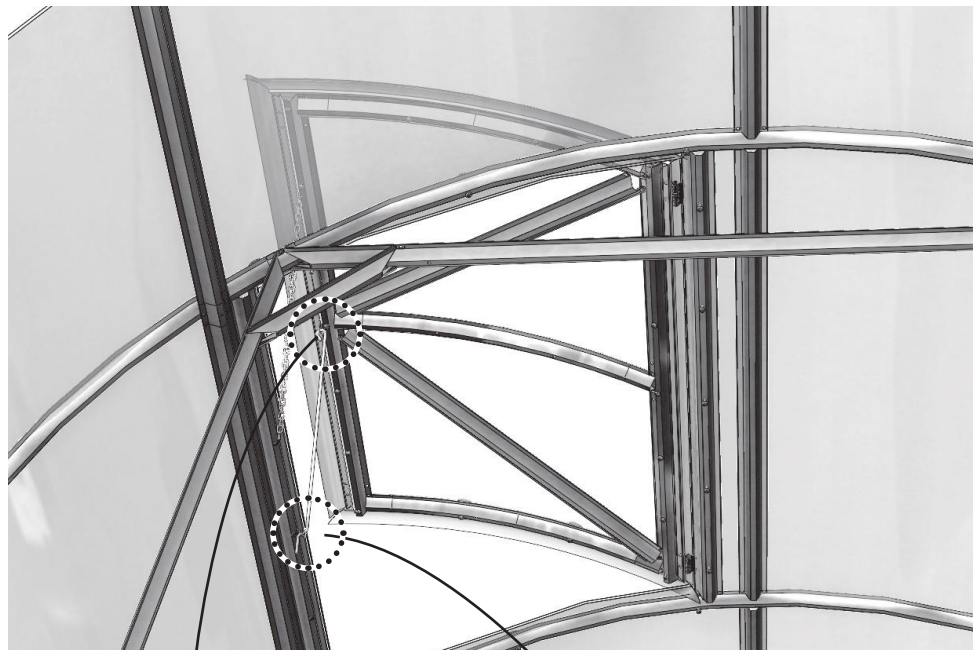
9



10



11



Contact information

Austria



Belgium



Croatia



Denmark



Estonia



Finland



France



Germany



Ireland



Italy



Latvia



Lithuania



Nederland



Norway



Poland



Portugal



Spain



Sweden



Switzerland



UK

